



US00D427335S

# United States Patent [19]

Noll

[11] Patent Number: **Des. 427,335**

[45] Date of Patent: **\*\* Jun. 27, 2000**

[54] **HALOGEN LAMP-REFLECTOR COMBINATION**

[75] Inventor: **Thomas Noll**, Kipfenberg, Germany

[73] Assignee: **Osram GmbH**, Munich, Germany

[\*\*] Term: **14 Years**

[21] Appl. No.: **29/112,867**

[22] Filed: **Oct. 25, 1999**

### Related U.S. Application Data

[62] Division of application No. 29/072,046, Jun. 9, 1997.

### Foreign Application Priority Data

Dec. 10, 1996 [DE] Germany ..... M9610763

[51] **LOC (7) Cl.** ..... **26-04**

[52] **U.S. Cl.** ..... **D26/2**

[58] **Field of Search** ..... D26/1, 2, 3, 26; 313/111, 113, 318, 315, 317, 116; 362/217, 297, 309, 310, 311, 341, 347, 349, 220

### References Cited

#### U.S. PATENT DOCUMENTS

- D. 140,700 3/1945 Slater ..... D26/2
- D. 301,069 5/1989 Benson et al. .... D26/2

- D. 336,963 6/1993 Levin et al. .... D26/2
- D. 337,389 7/1993 Levin et al. .... D26/2
- D. 379,538 5/1997 Gallant ..... D26/2
- D. 398,407 9/1998 O'Connell et al. .... D26/2
- 4,833,576 5/1989 Mers et al. .... 362/226

*Primary Examiner*—Susan J. Lucas  
*Attorney, Agent, or Firm*—Frishauf, Holtz, Goodman, Langer & Chick, P.C.

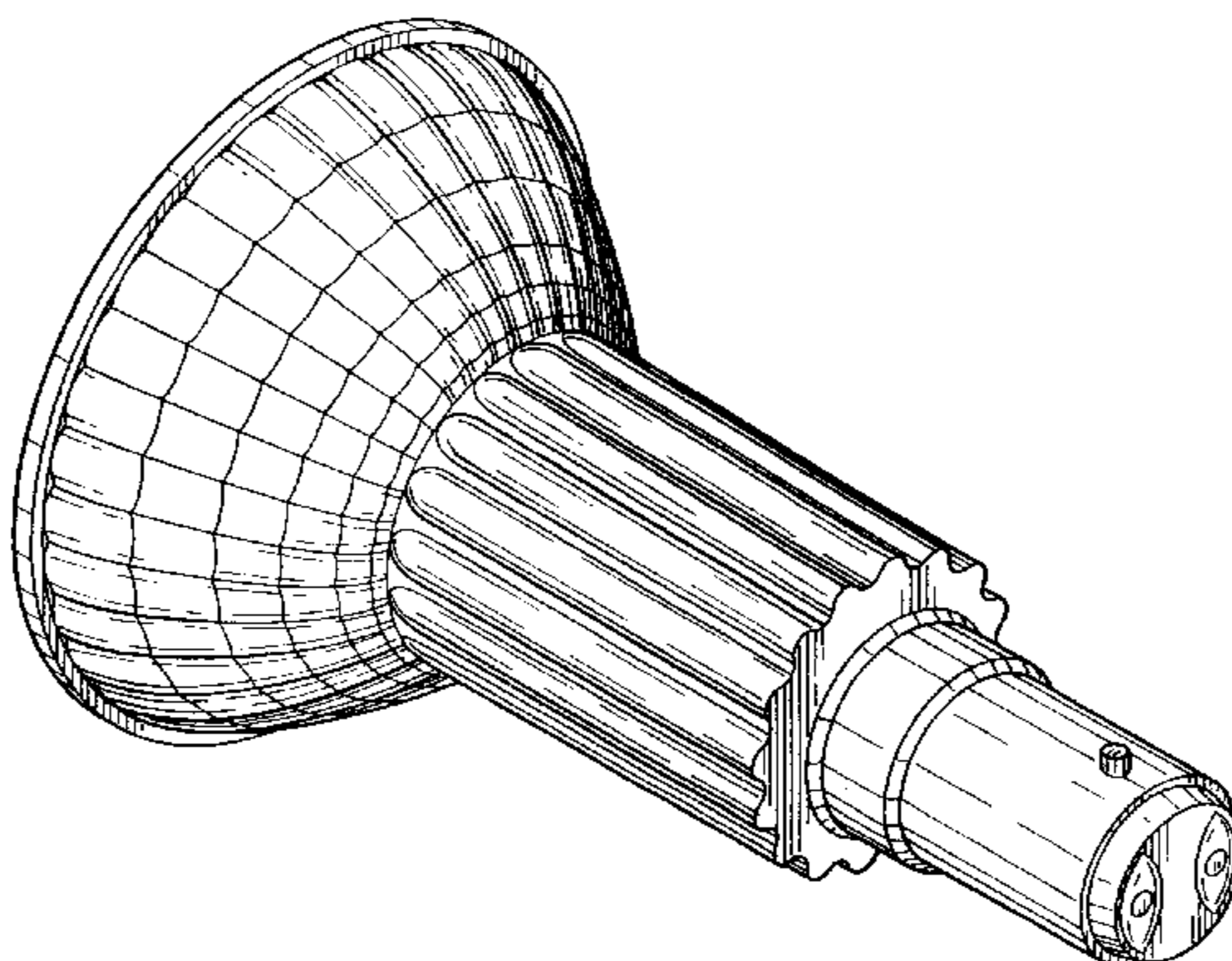
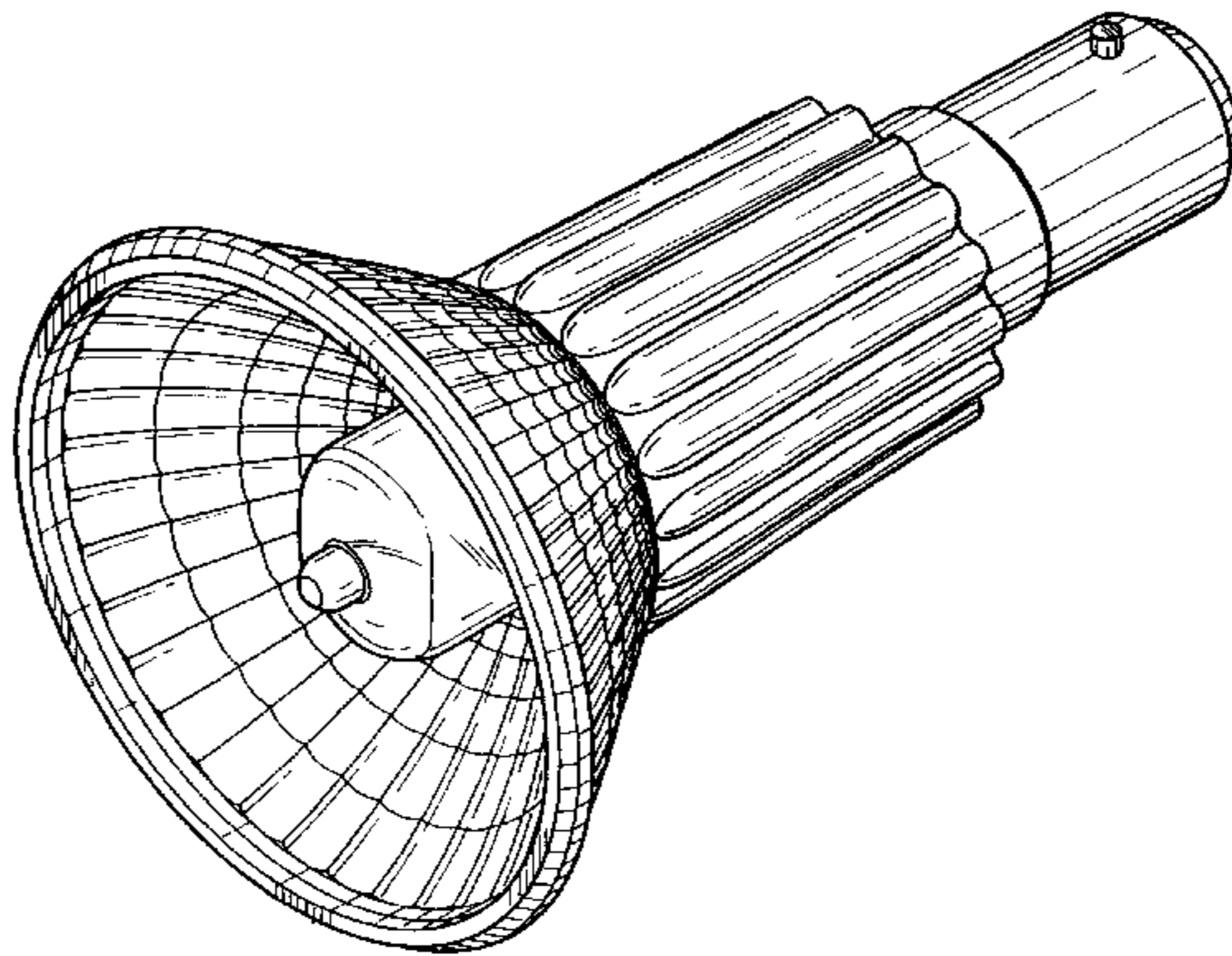
### [57] CLAIM

The ornamental design for a halogen lamp-reflector combination, as shown and described.

### DESCRIPTION

FIG. 1 is a front perspective view of the halogen lamp-reflector combination;  
 FIG. 2 is a rear perspective view thereof;  
 FIG. 3 is a front elevation view thereof;  
 FIG. 4 is a rear elevation view thereof;  
 FIG. 5 is a top plan view thereof;  
 FIG. 6 is a bottom plan view thereof;  
 FIG. 7 is a front perspective view of a second embodiment of the halogen lamp-reflector combination;  
 FIG. 8 is a rear perspective view thereof;  
 FIG. 9 is a front elevation view thereof;  
 FIG. 10 is a top plan view thereof; and,  
 FIG. 11 is a bottom plan view thereof.

**1 Claim, 4 Drawing Sheets**



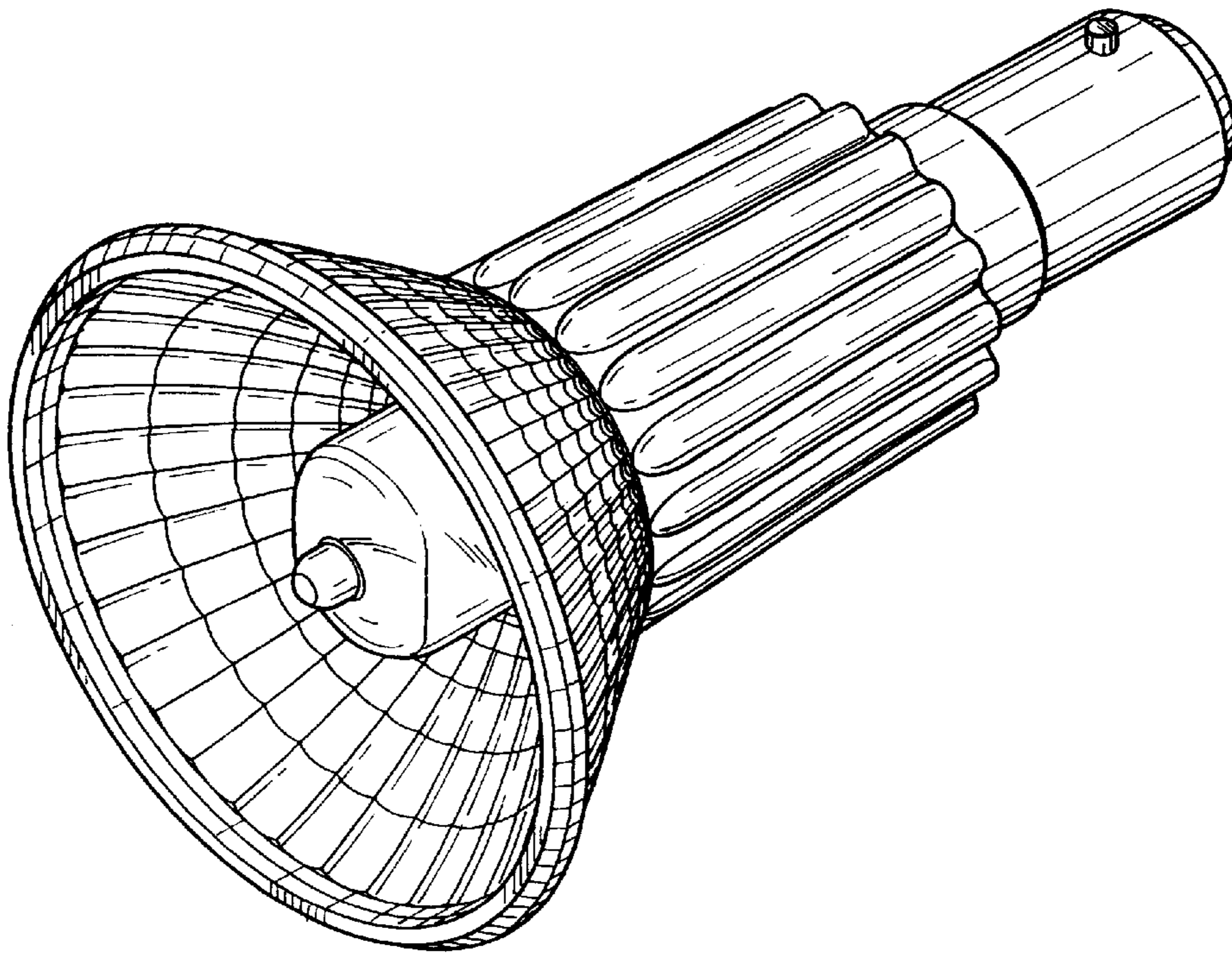


FIG. 1

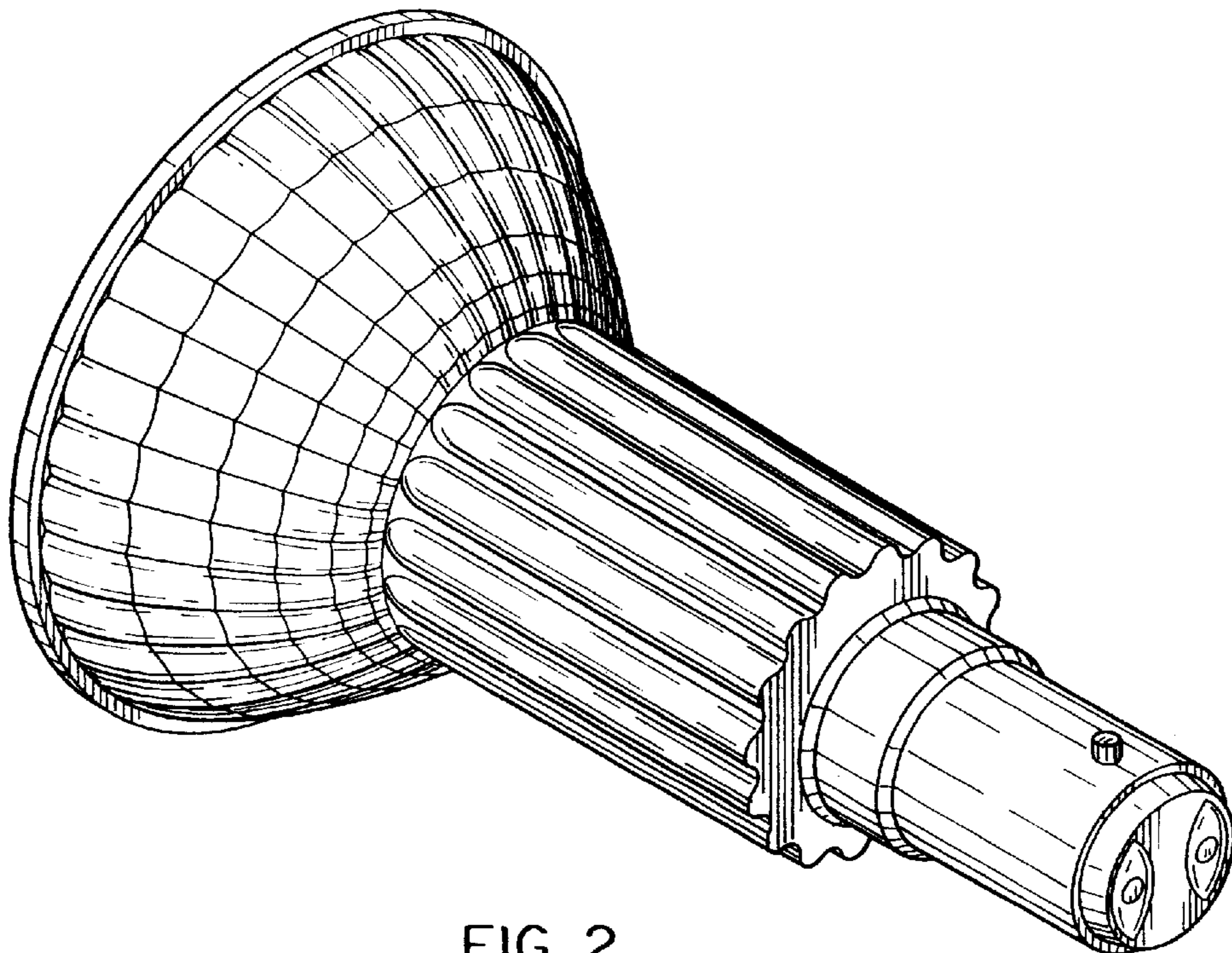


FIG. 2

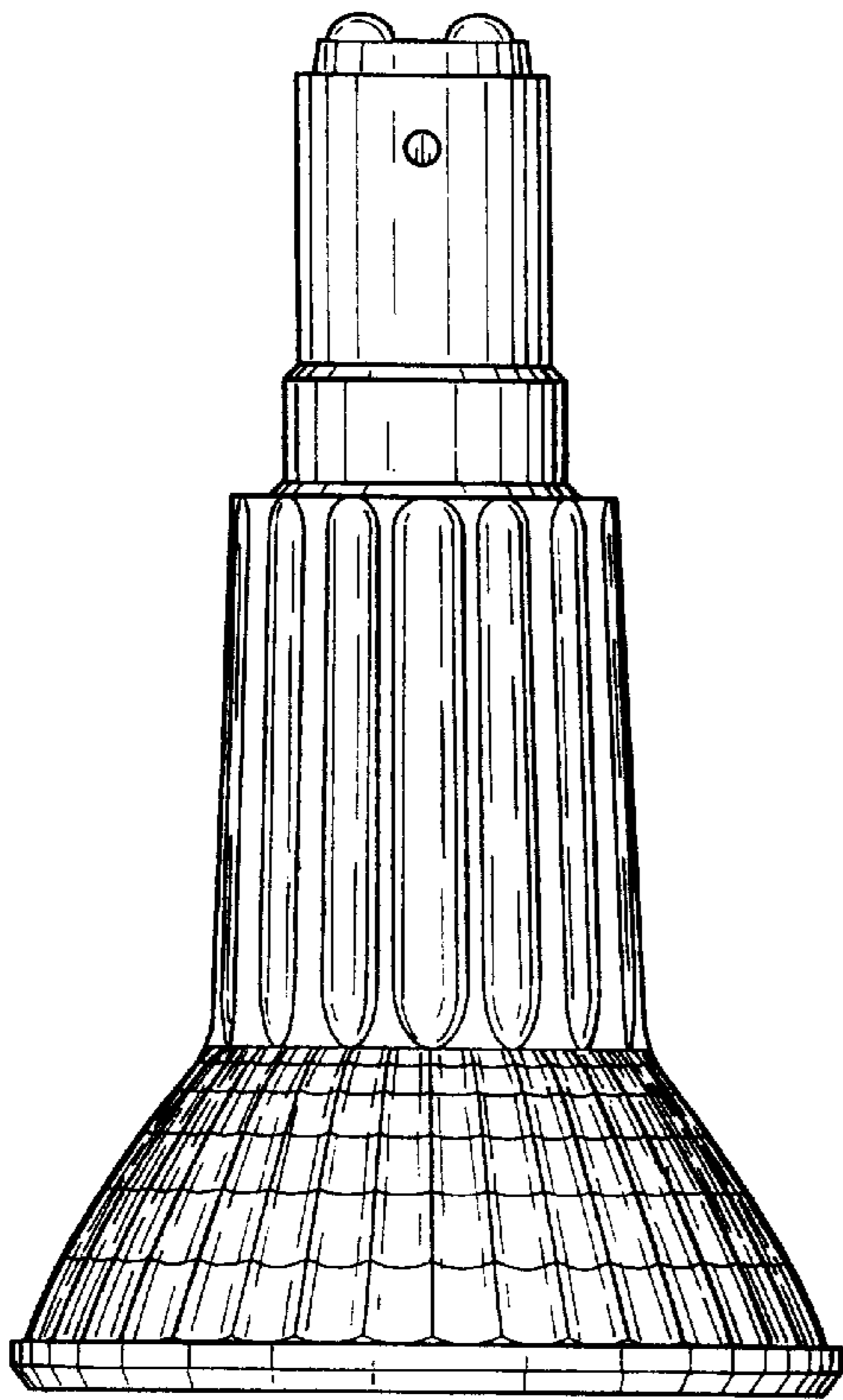


FIG. 3

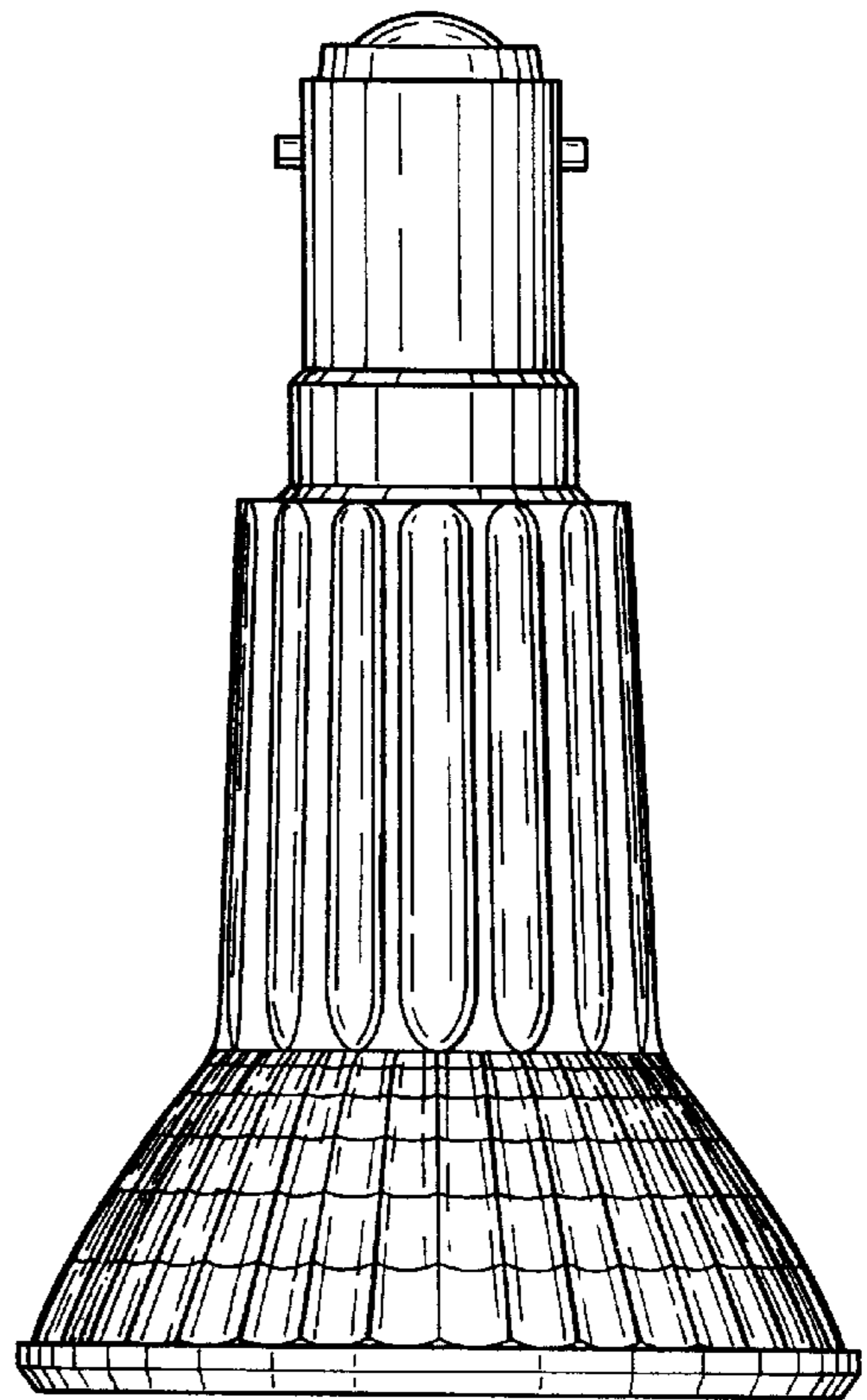


FIG. 4

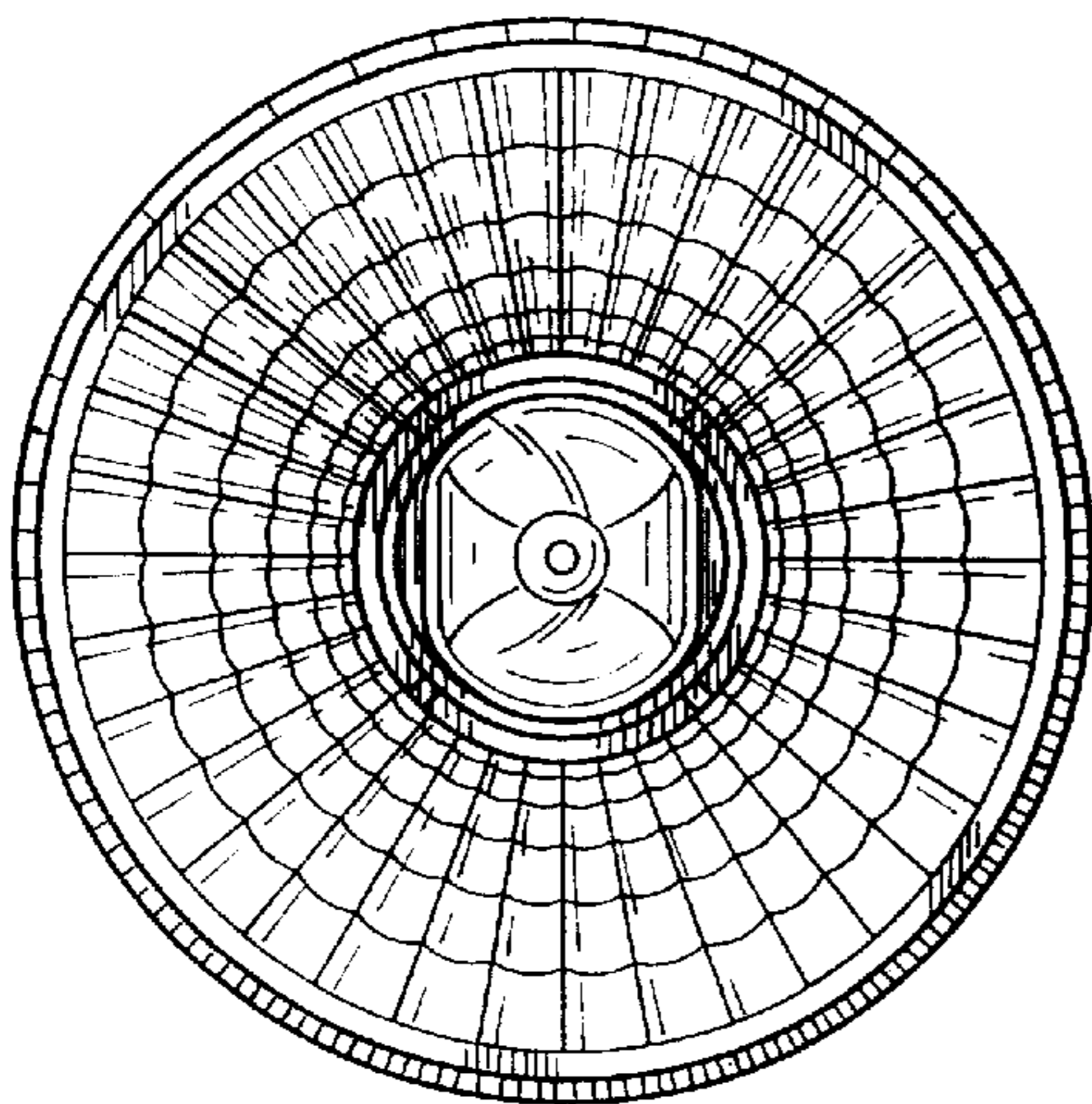


FIG. 5

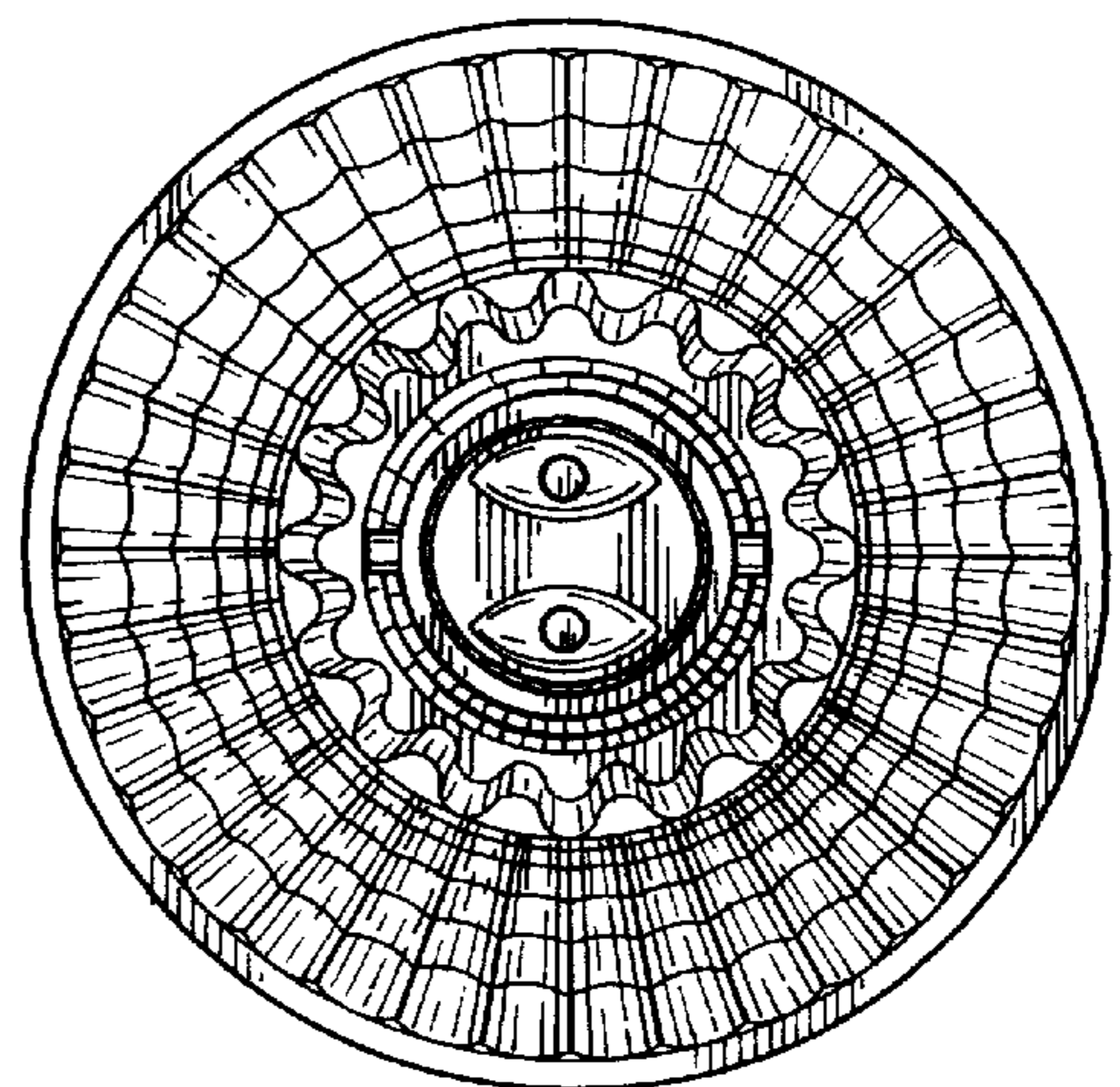


FIG. 6

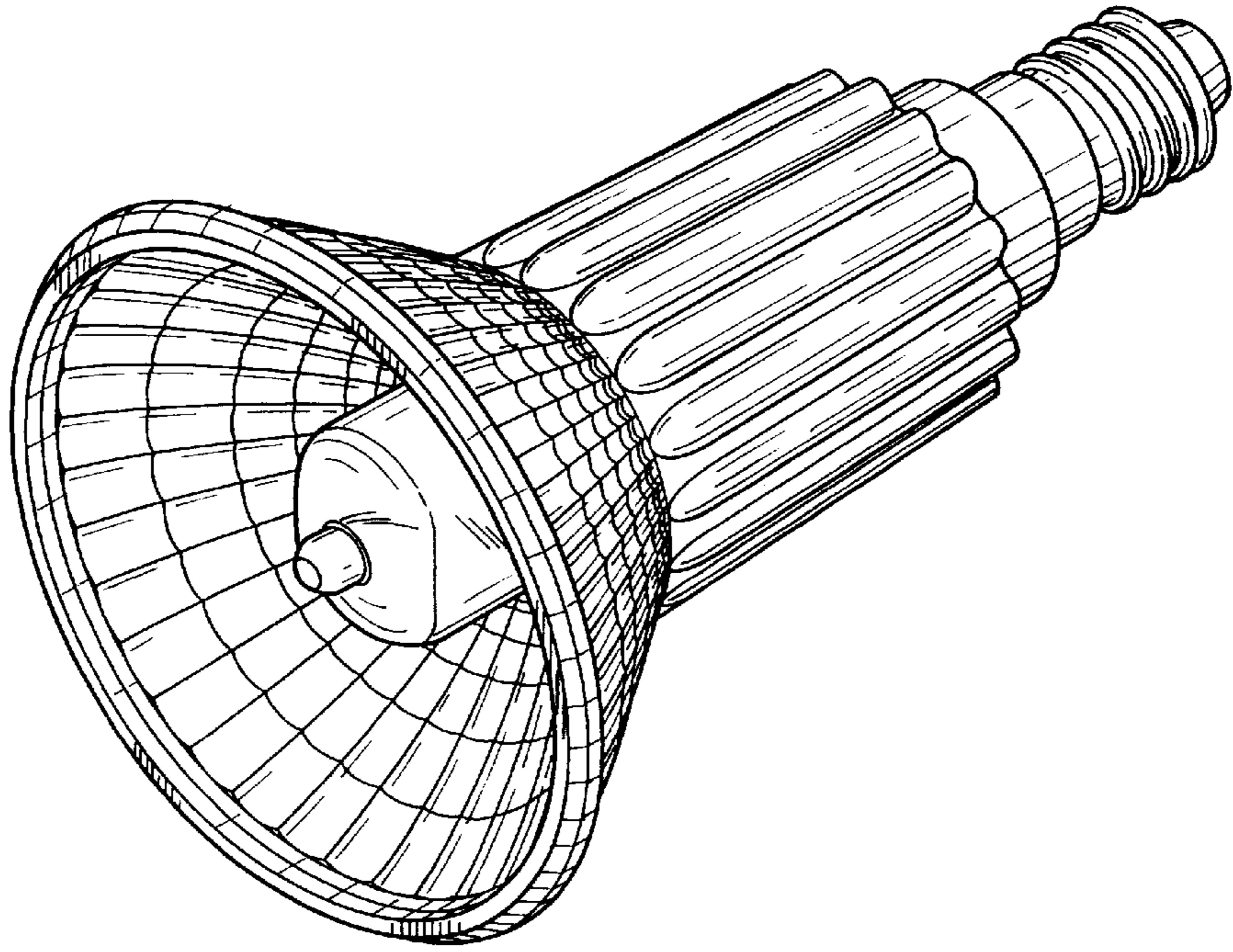


FIG. 7

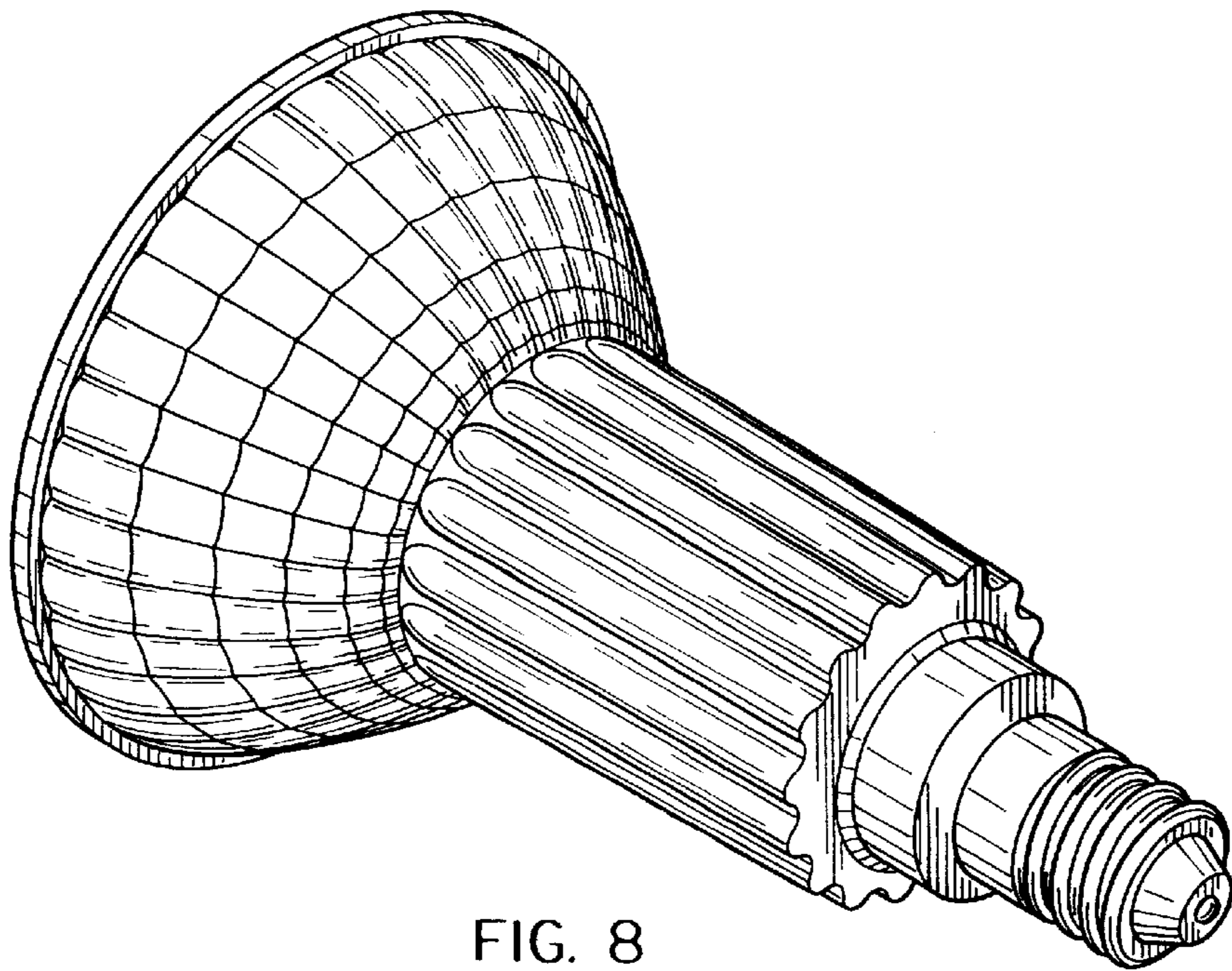


FIG. 8

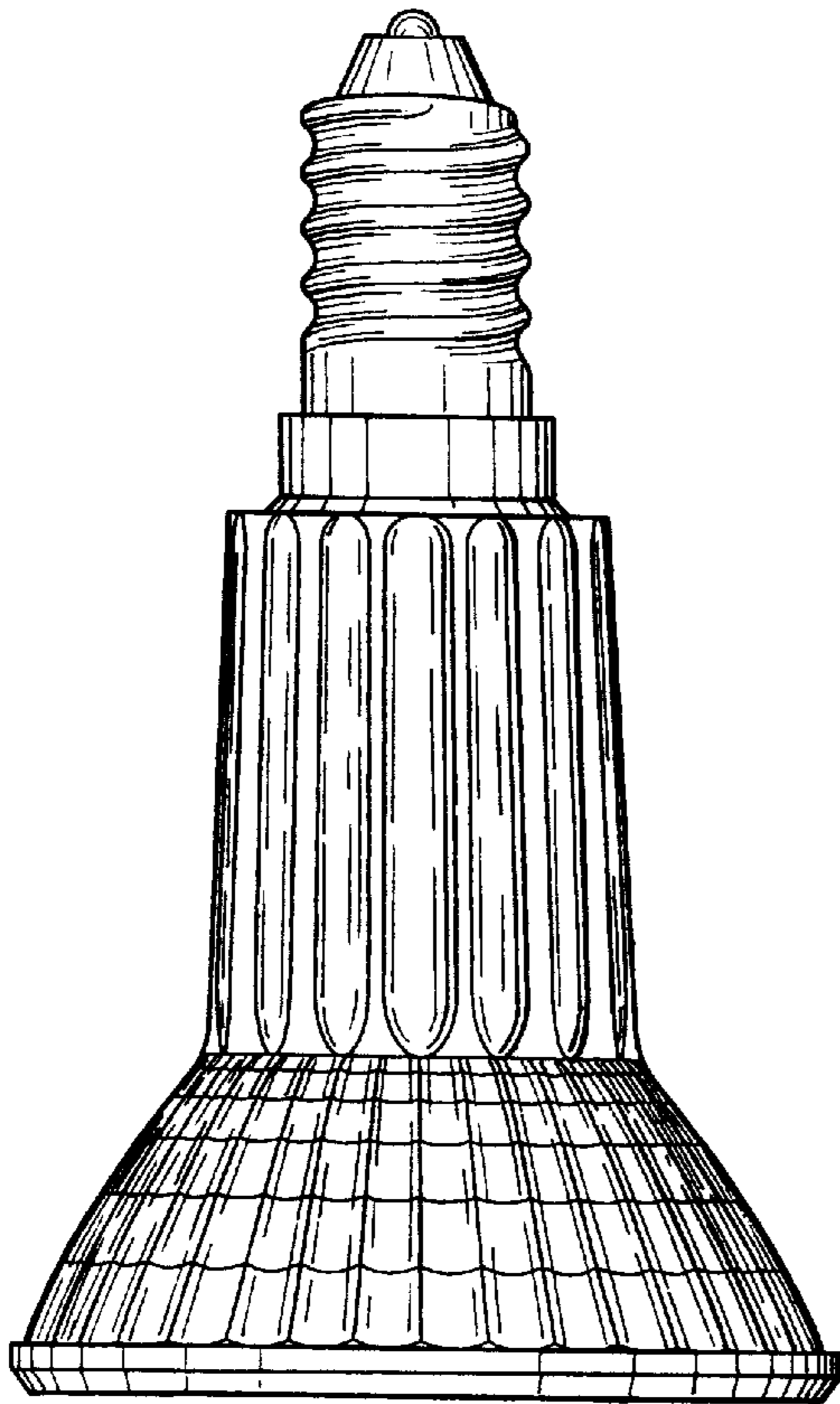


FIG. 9

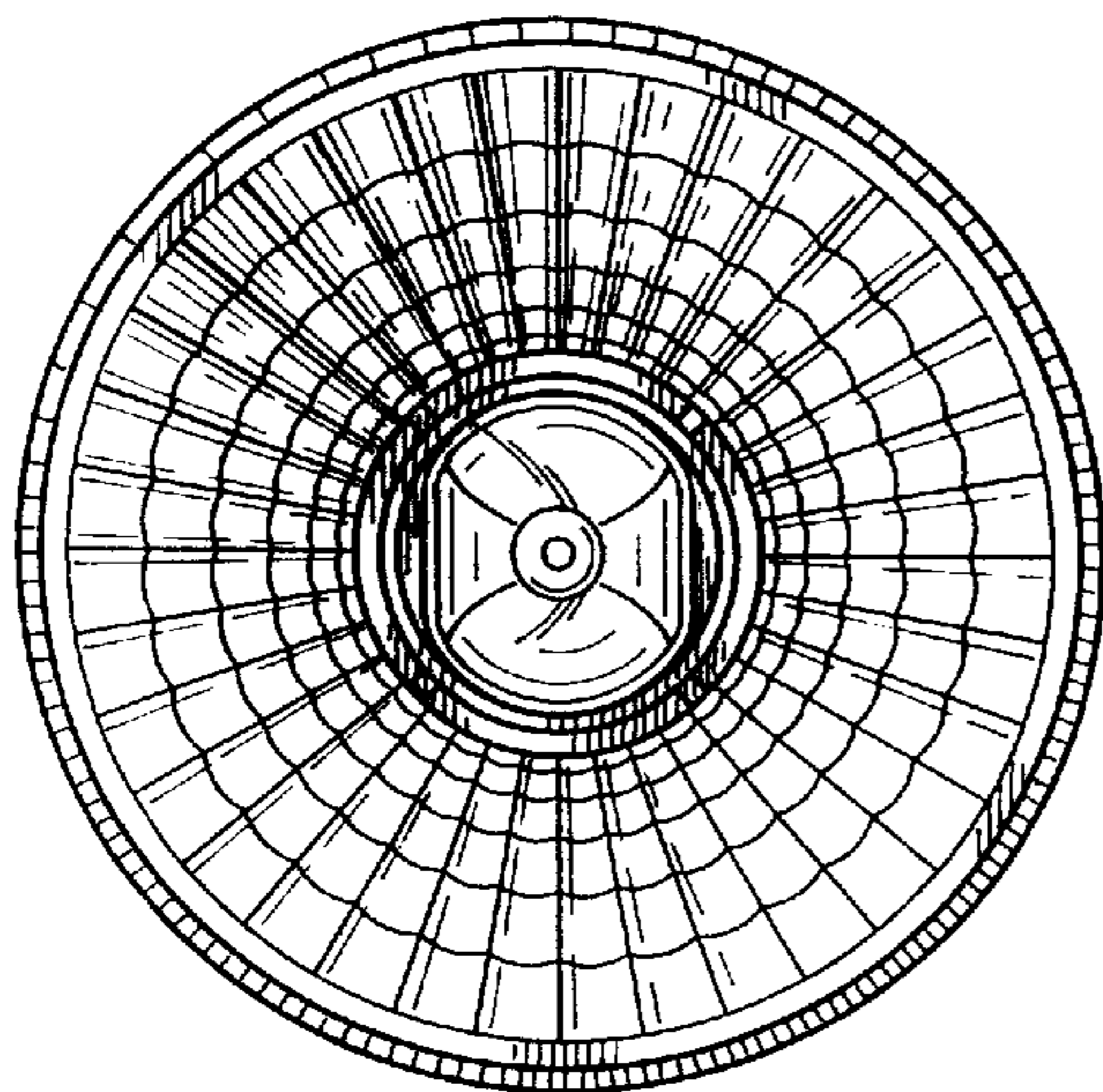


FIG. 10

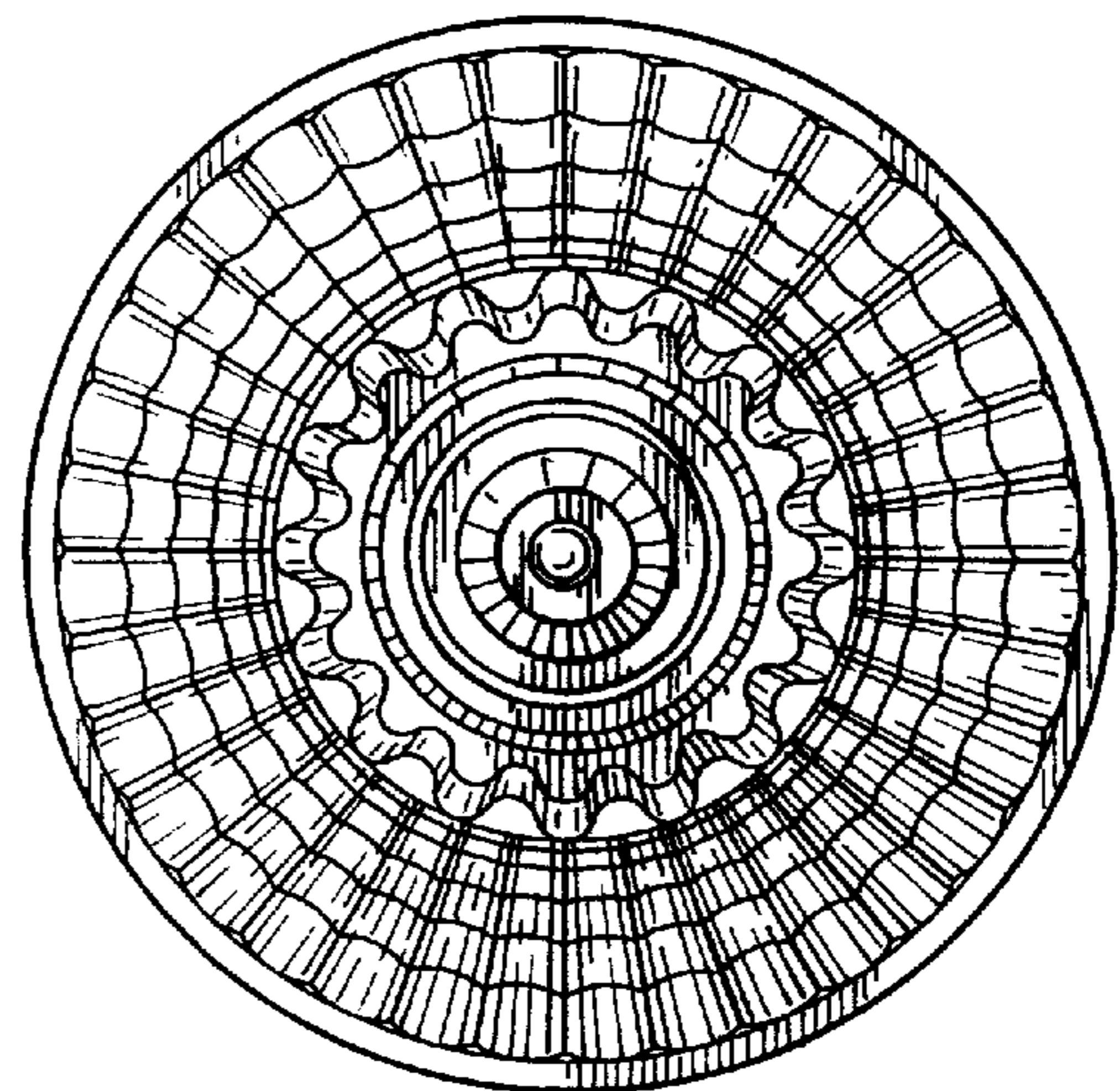


FIG. 11