



US00D427332S

**United States Patent** [19]  
**Bryan**

[11] **Patent Number: Des. 427,332**  
[45] **Date of Patent: \*\* Jun. 27, 2000**

[54] **COMBINED DECK CONNECTOR AND PANELING**

3,125,009 3/1964 Eberl ..... 14/73  
5,033,147 7/1991 Svensson ..... 14/73

[75] Inventor: **Bob Bryan**, Etobicoke, Canada

*Primary Examiner*—Doris Clark  
*Attorney, Agent, or Firm*—Eugene J. A. Gierczak

[73] Assignee: **Brite Millwork Inc.**, Bolton

[57] **CLAIM**

[\*\*] Term: **14 Years**

The ornamental design for the “combined deck connector and paneling,” as shown and described.

[21] Appl. No.: **29/114,757**

**DESCRIPTION**

[22] Filed: **Dec. 1, 1999**

FIG. 1 is a front view of the combined deck connector and paneling; and,

[51] **LOC (7) Cl.** ..... **25-01**

[52] **U.S. Cl.** ..... **D25/138**

FIG. 2 is a top perspective view of the combined deck connector and paneling, the broken lines shown therein illustrate the length of the connector only.

[58] **Field of Search** ..... 14/73; D25/138

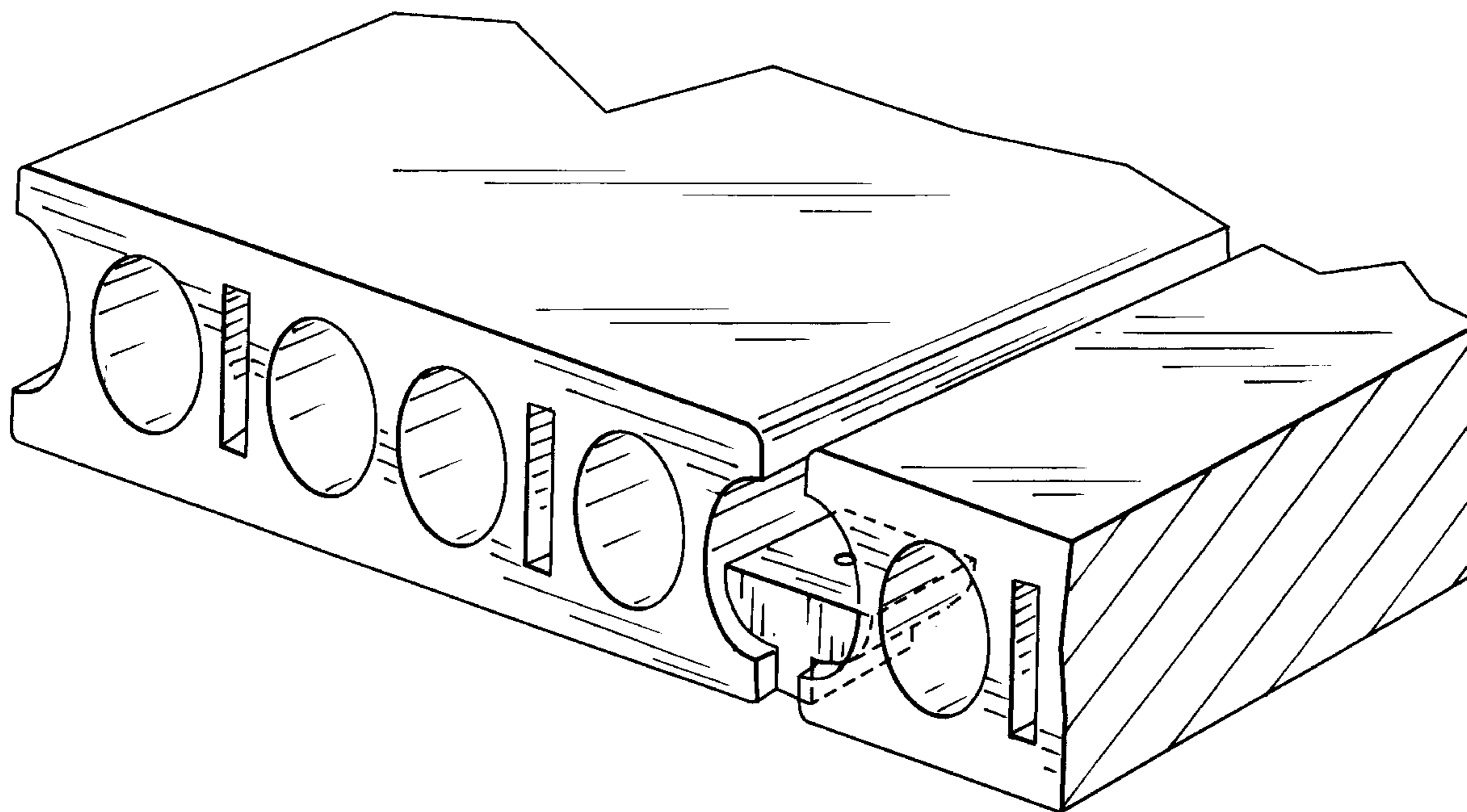
The claimed design is broken on the ends to illustrate indefinite length of the article.

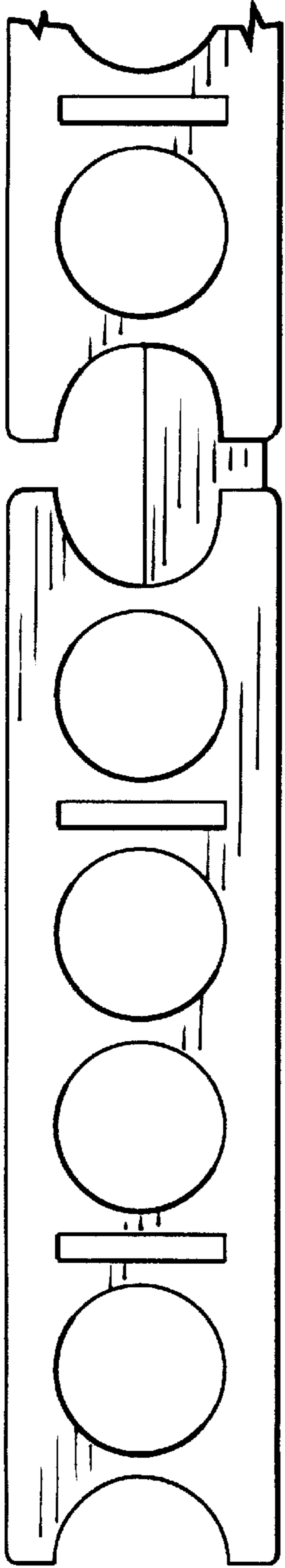
[56] **References Cited**

**U.S. PATENT DOCUMENTS**

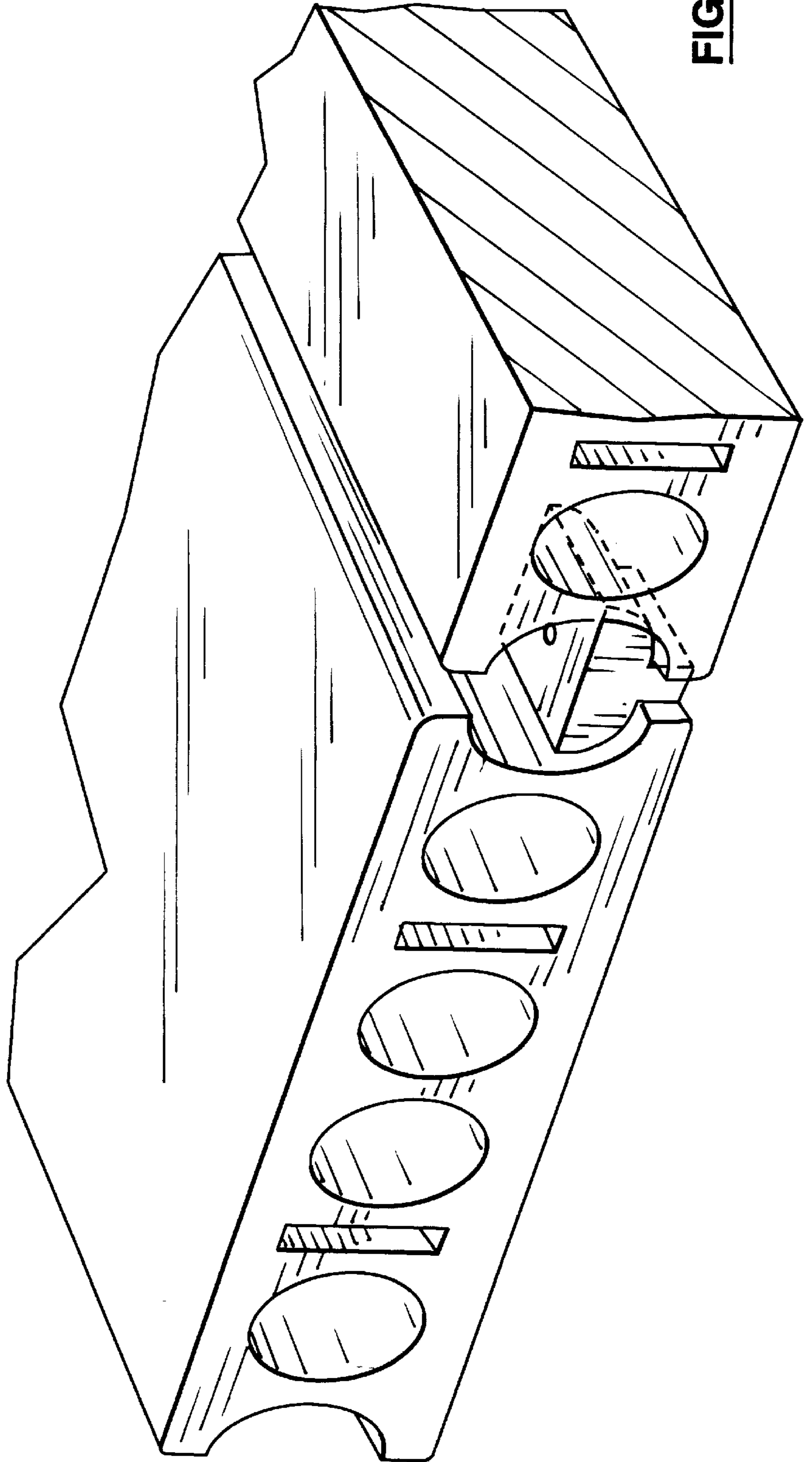
D. 345,222 3/1994 Hallsten et al. .... D25/138

**1 Claim, 1 Drawing Sheet**





**FIG. 1**



**FIG. 2**