



US00D427330S

United States Patent [19]
Oliver

[11] **Patent Number: Des. 427,330**

[45] **Date of Patent: ** Jun. 27, 2000**

[54] **WINDOW COMPONENT EXTRUSION**

D. 385,364 10/1997 Lockbeam .

D. 407,506 3/1999 Hersh et al. D25/124

[75] Inventor: **Teresa A. Oliver**, Kent, Wash.

[73] Assignee: **Mikron Industries, Inc.**, Kent, Wash.

Primary Examiner—Doris Clark

Attorney, Agent, or Firm—Richardson & Folise

[**] Term: **14 Years**

[57] **CLAIM**

[21] Appl. No.: **29/112,682**

The ornamental design for a window component extrusion, as shown and described.

[22] Filed: **Oct. 21, 1999**

[51] **LOC (7) Cl.** **25-01**

[52] **U.S. Cl.** **D25/124**

[58] **Field of Search** D25/60, 52, 119-125;
49/DIG. 2, 504, 501; 52/204.5, 204.56,
204.57, 204.1, 730.3

DESCRIPTION

FIG. 1 is a top right perspective view of the window component extrusion which is broken in the center indicating indefinite length; and,

FIG. 2 is a bottom left perspective view of the window component extrusion shown in FIG. 1.

[56] **References Cited**

U.S. PATENT DOCUMENTS

D. 375,804 11/1996 Goss .

1 Claim, 1 Drawing Sheet

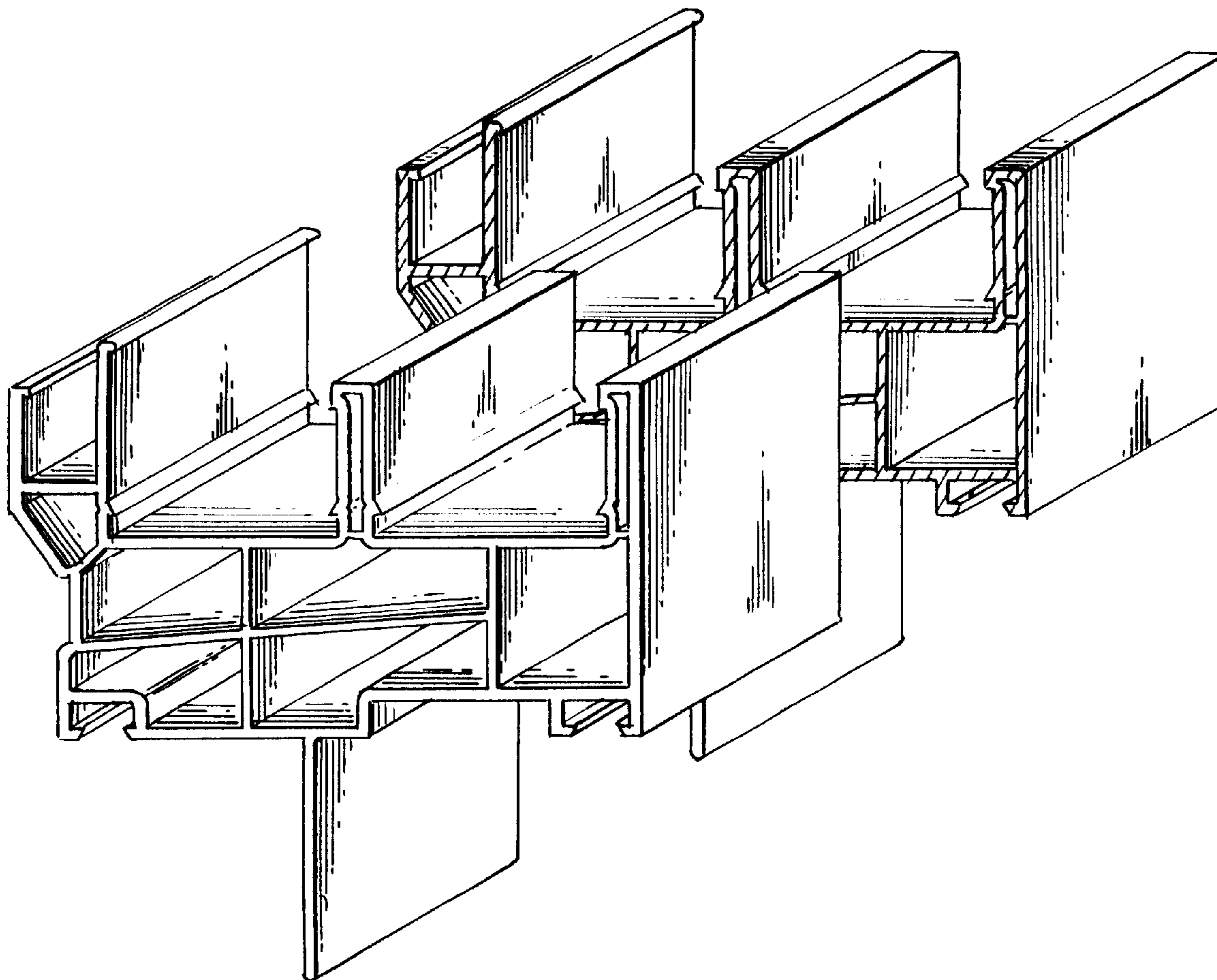


FIG. 1

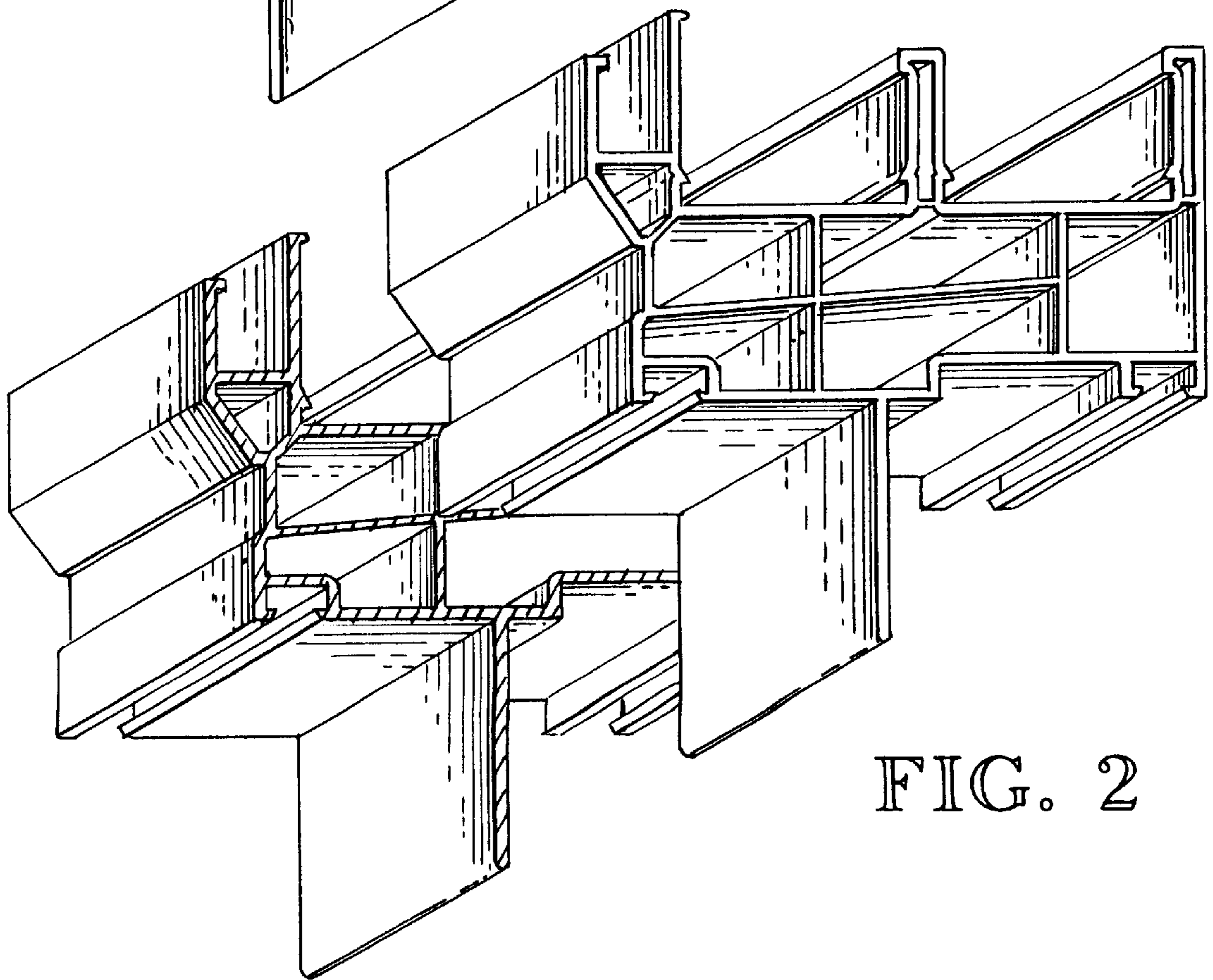
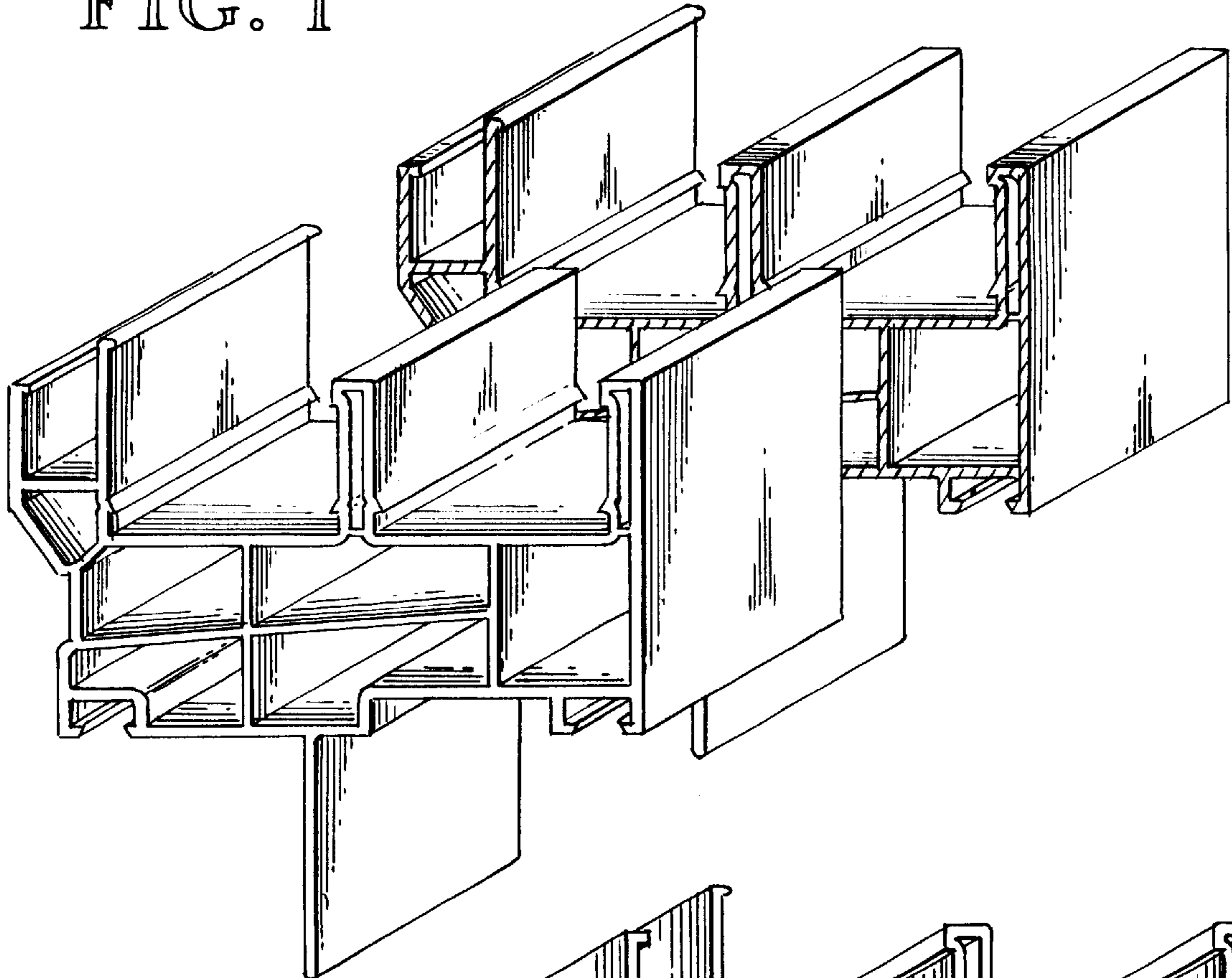


FIG. 2