



US00D427328S

United States Patent [19]
Oliver

[11] **Patent Number: Des. 427,328**

[45] **Date of Patent: ** Jun. 27, 2000**

[54] **WINDOW COMPONENT EXTRUSION**

D. 376,213 12/1996 Macri D25/124

[75] Inventor: **Teresa A. Oliver**, Kent, Wash.

Primary Examiner—Doris Clark
Attorney, Agent, or Firm—Richardson & Folise

[73] Assignee: **Mikron Industries, Inc.**, Kent, Wash.

[**] Term: **14 Years**

[57] **CLAIM**

[21] Appl. No.: **29/086,038**

The ornamental design for a window component extrusion, as shown and described.

[22] Filed: **Apr. 3, 1998**

DESCRIPTION

[51] **LOC (7) Cl.** **25-01**

[52] **U.S. Cl.** **D25/124**

[58] **Field of Search** D25/119-124,
D25/60, 62; 49/504, 505, DIG. 2; 52/204.5,
204.56, 204.51, 204.1, 730.3

FIG. 1 is a top right perspective view of the window component extrusion which is broken in the center indicating indefinite length; and,

FIG. 2 is a bottom left perspective view of the window component extrusion shown in FIG. 1.

[56] **References Cited**

U.S. PATENT DOCUMENTS

D. 374,940 10/1996 Hart D25/124

1 Claim, 1 Drawing Sheet

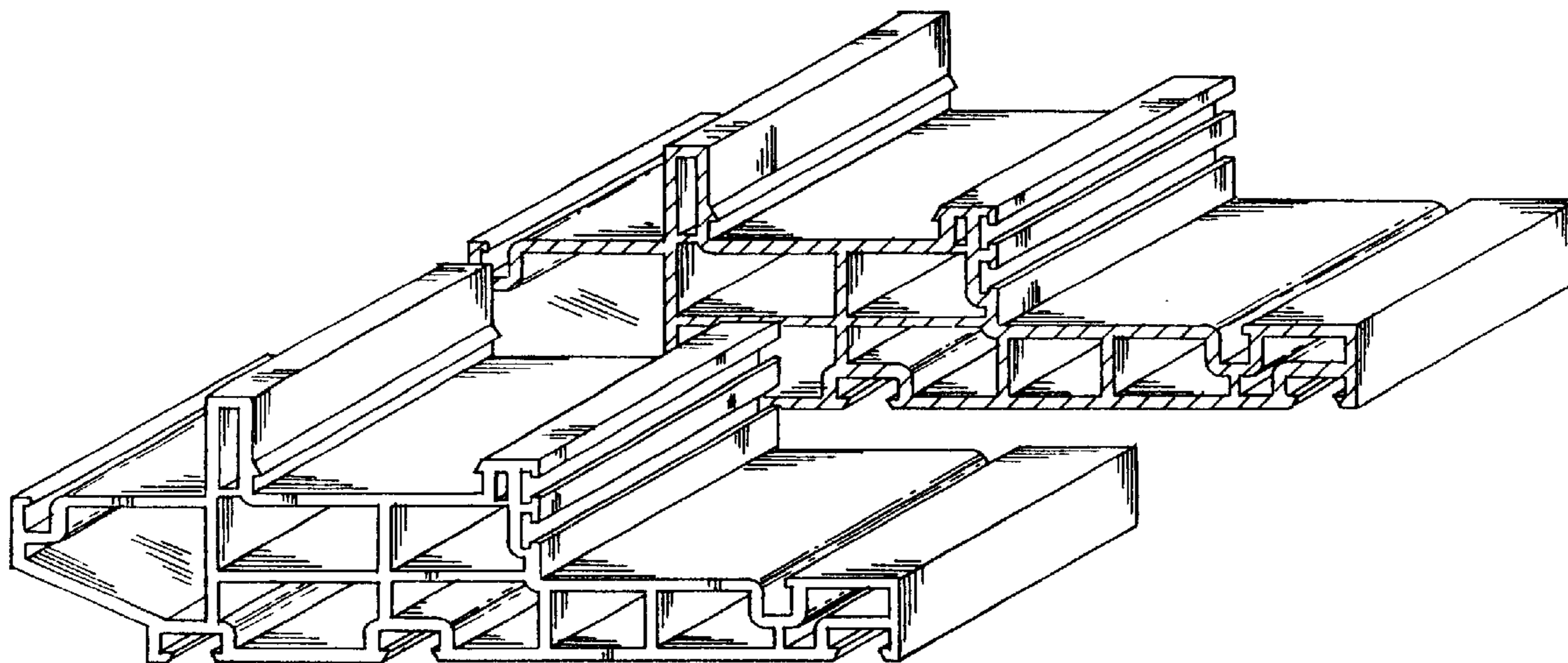


FIG. 1

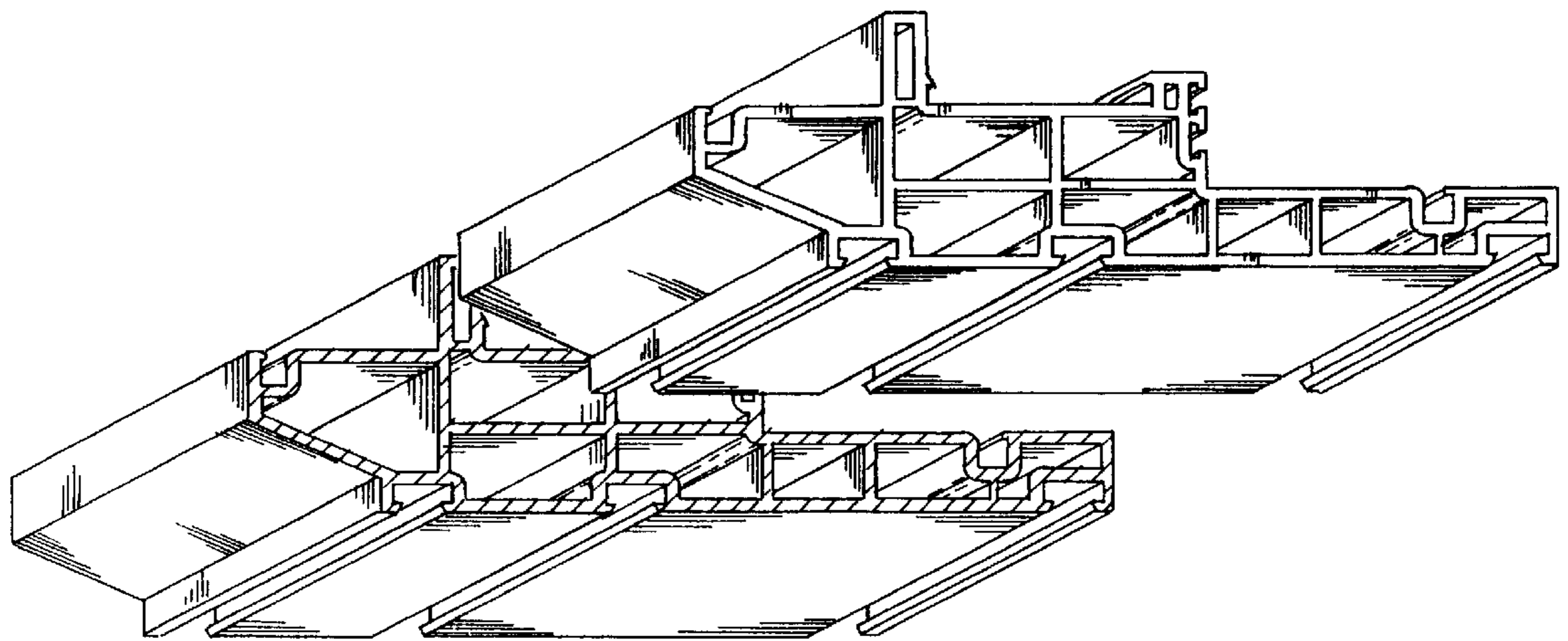
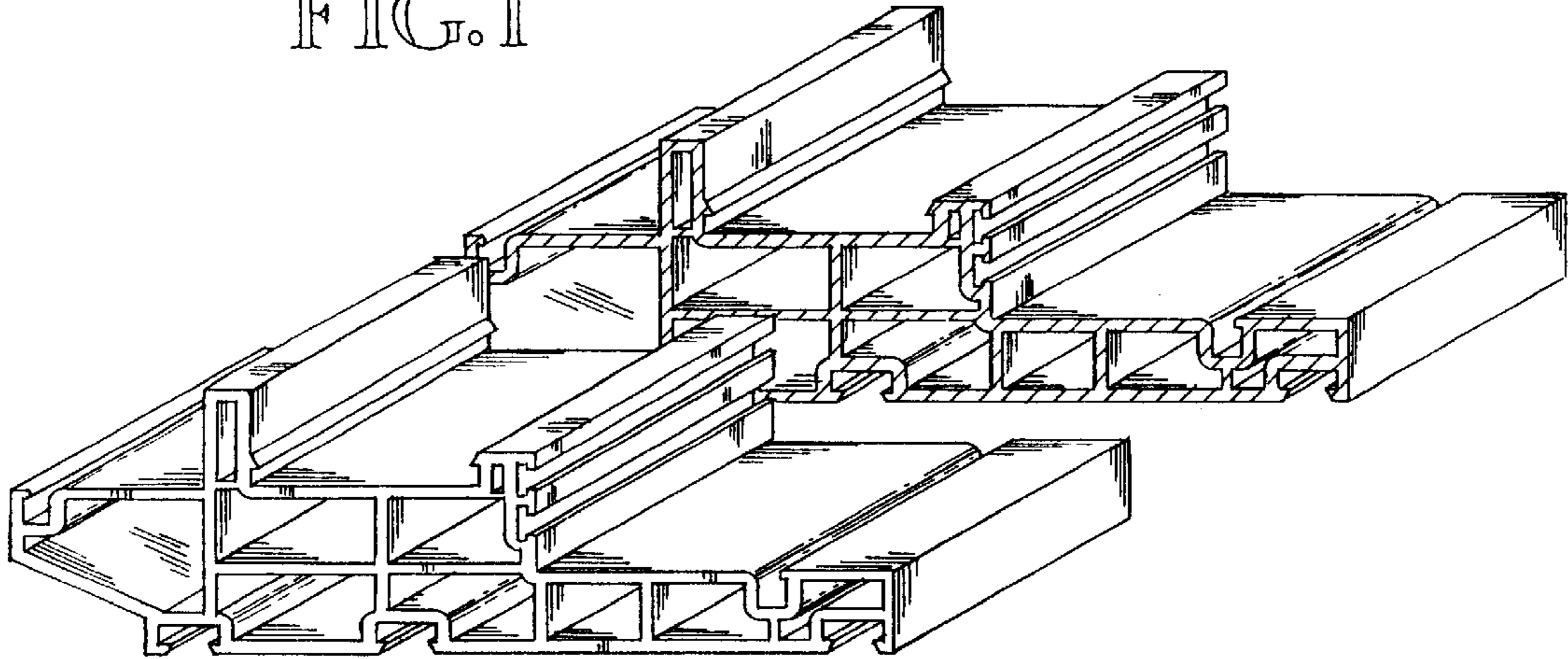


FIG. 2