



US00D427313S

# United States Patent [19] Cox

[11] **Patent Number: Des. 427,313**

[45] **Date of Patent: \*\* Jun. 27, 2000**

[54] **TONOMETER**

[75] Inventor: **Daniel Cox**, Munster, Germany

[73] Assignee: **Haag-Streit AG**, Koniz, Switzerland

[\*\*] Term: **14 Years**

[21] Appl. No.: **29/106,975**

[22] Filed: **Jun. 28, 1999**

[30] **Foreign Application Priority Data**

Dec. 28, 1998 [XH] Hague Agreement ..... DMA/004334

[51] **LOC (7) Cl.** ..... **24-01**

[52] **U.S. Cl.** ..... **D24/172**

[58] **Field of Search** ..... D24/172; 600/398,  
600/399, 400, 401, 402, 403, 404, 405;  
351/200

[56] **References Cited**

**U.S. PATENT DOCUMENTS**

D. 348,224 6/1994 Hayashi ..... D10/46

4,735,209	4/1988	Foody .....	128/652
4,922,914	5/1990	Segal et al. ....	128/646
4,987,899	1/1991	Brown .....	128/645
5,474,066	12/1995	Grolman .....	128/645
5,638,149	6/1997	Machermer et al. ....	351/200

*Primary Examiner*—Stella Reid

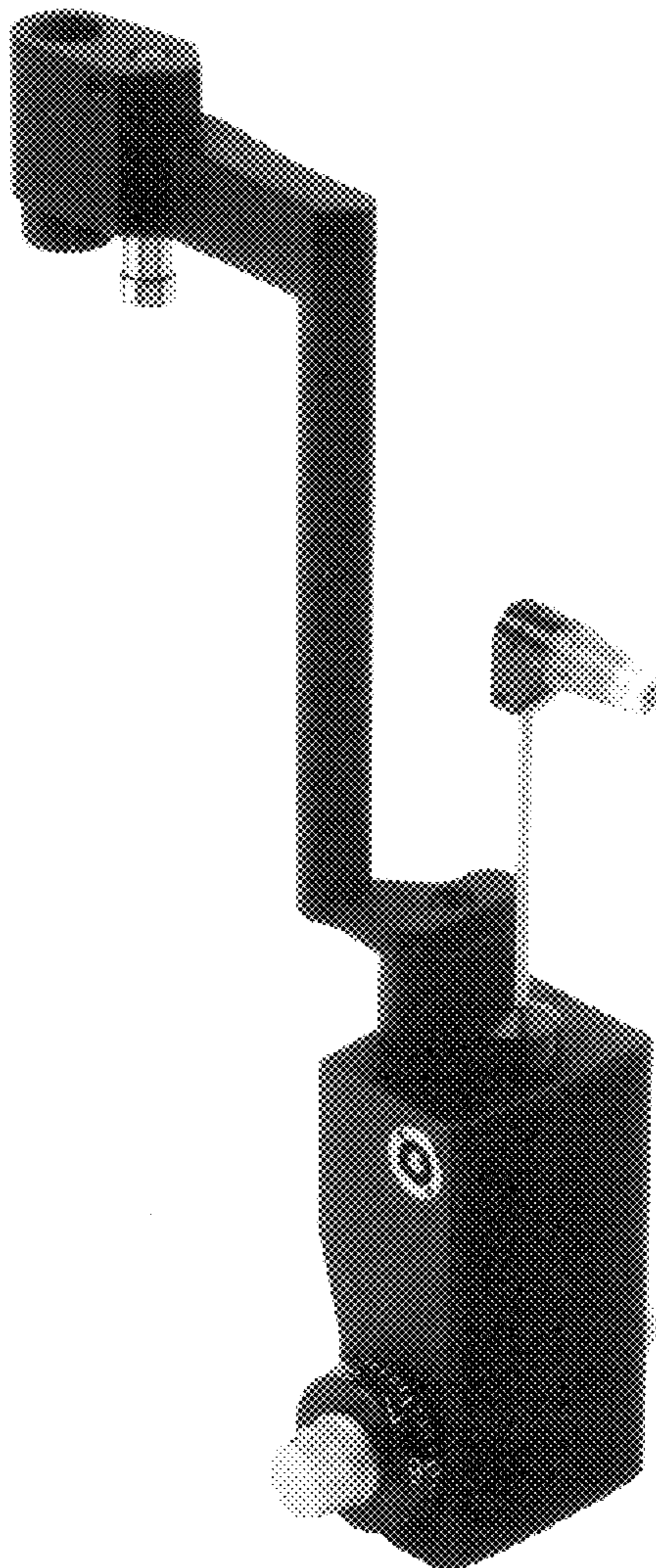
[57] **CLAIM**

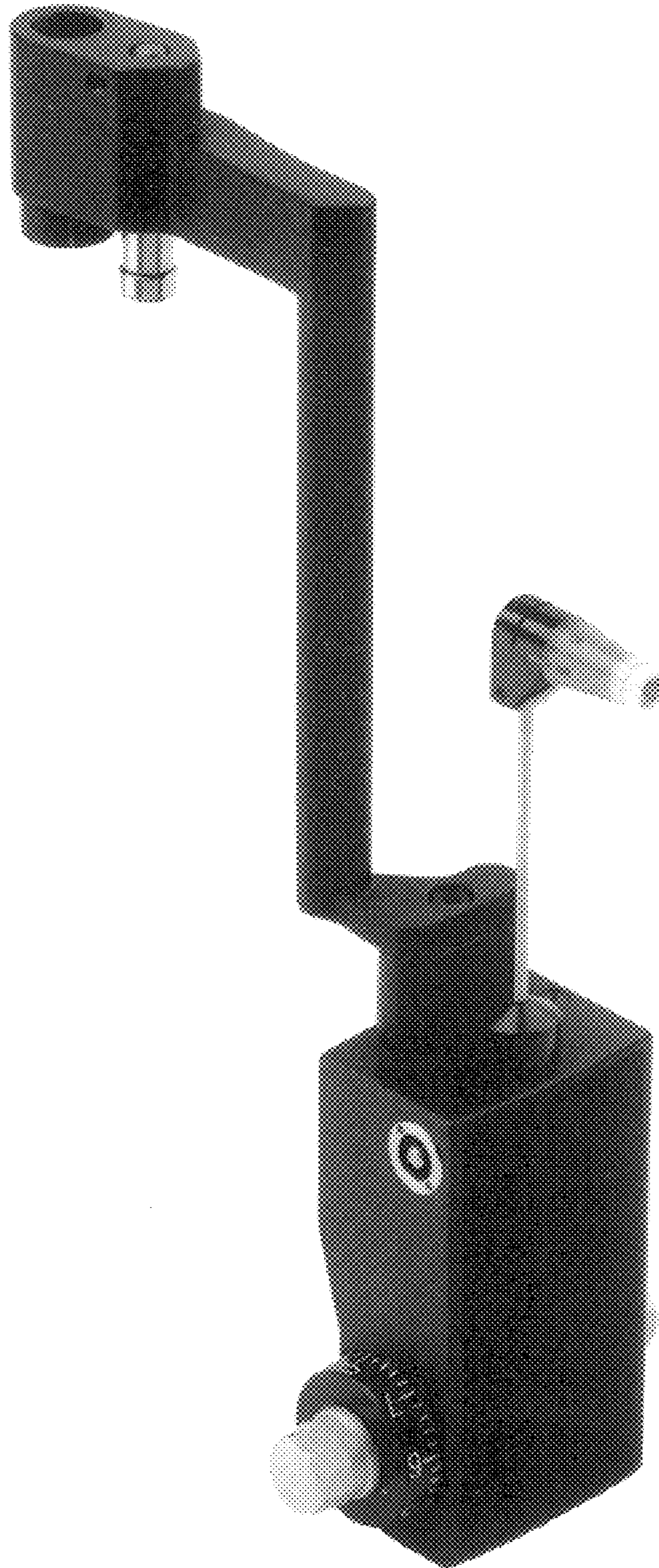
The design for a tonometer, substantially, as shown and described.

**DESCRIPTION**

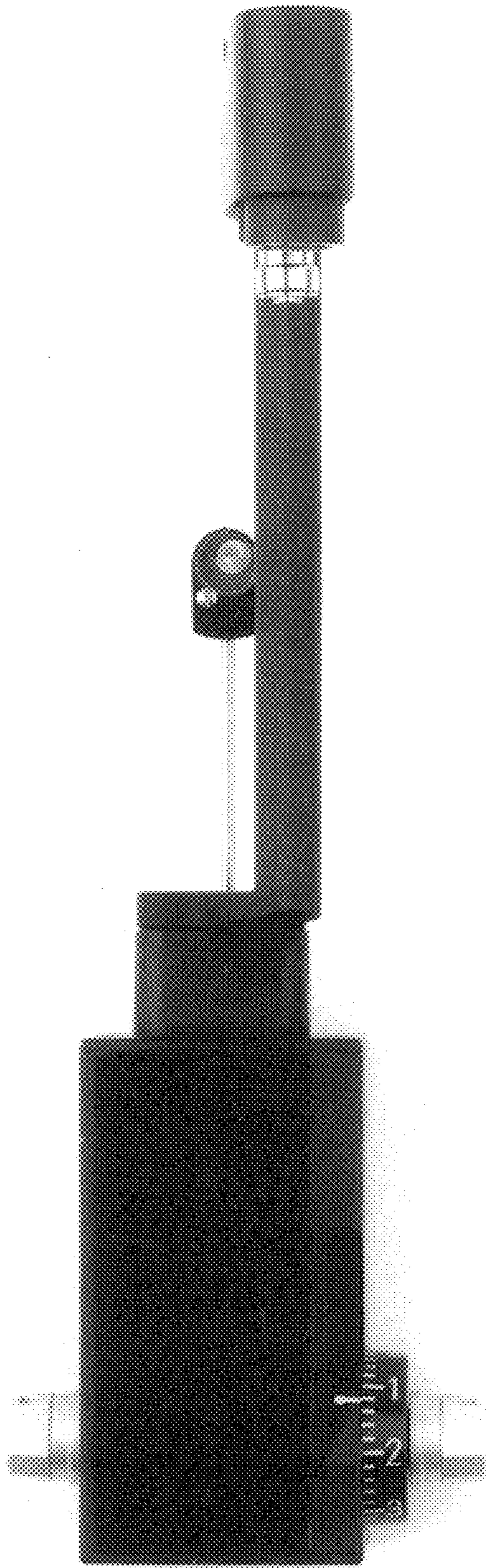
FIG. 1 is a perspective view of a tonometer showing my new design;  
FIG. 2 is a front elevational view thereof;  
FIG. 3 is a rear elevational view thereof;  
FIG. 4 is a top plan view thereof;  
FIG. 5 is a bottom view thereof;  
FIG. 6 is a left side elevational view thereof; and,  
FIG. 7 is a right side elevational view thereof.

**1 Claim, 7 Drawing Sheets**

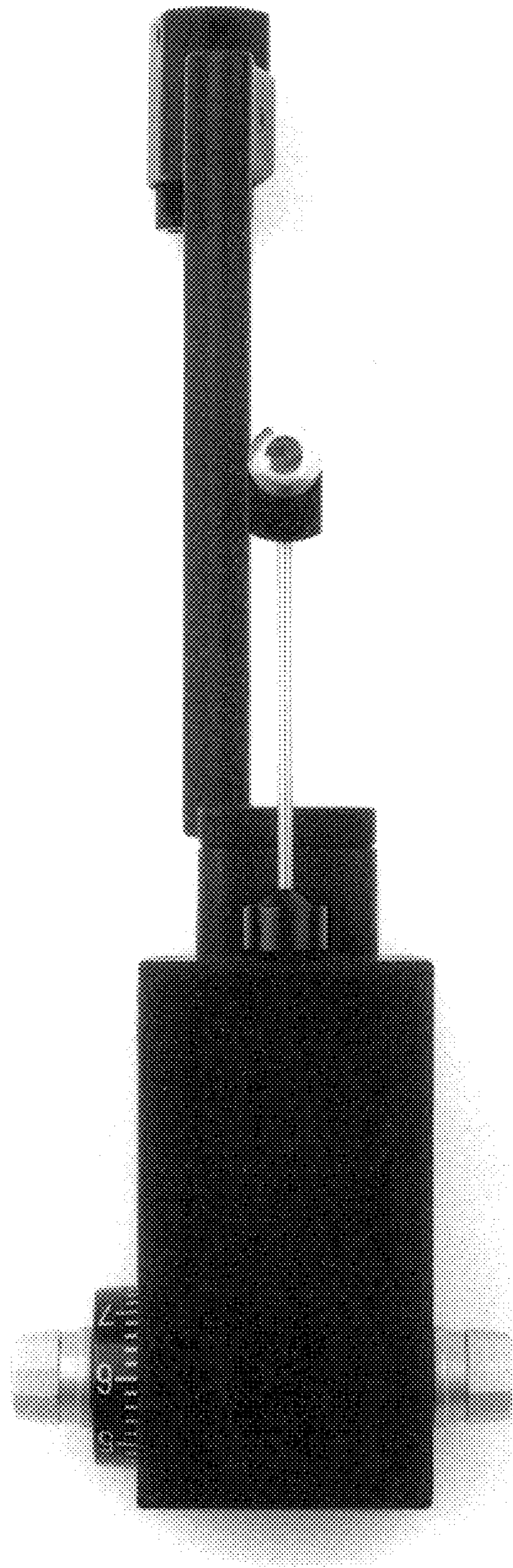




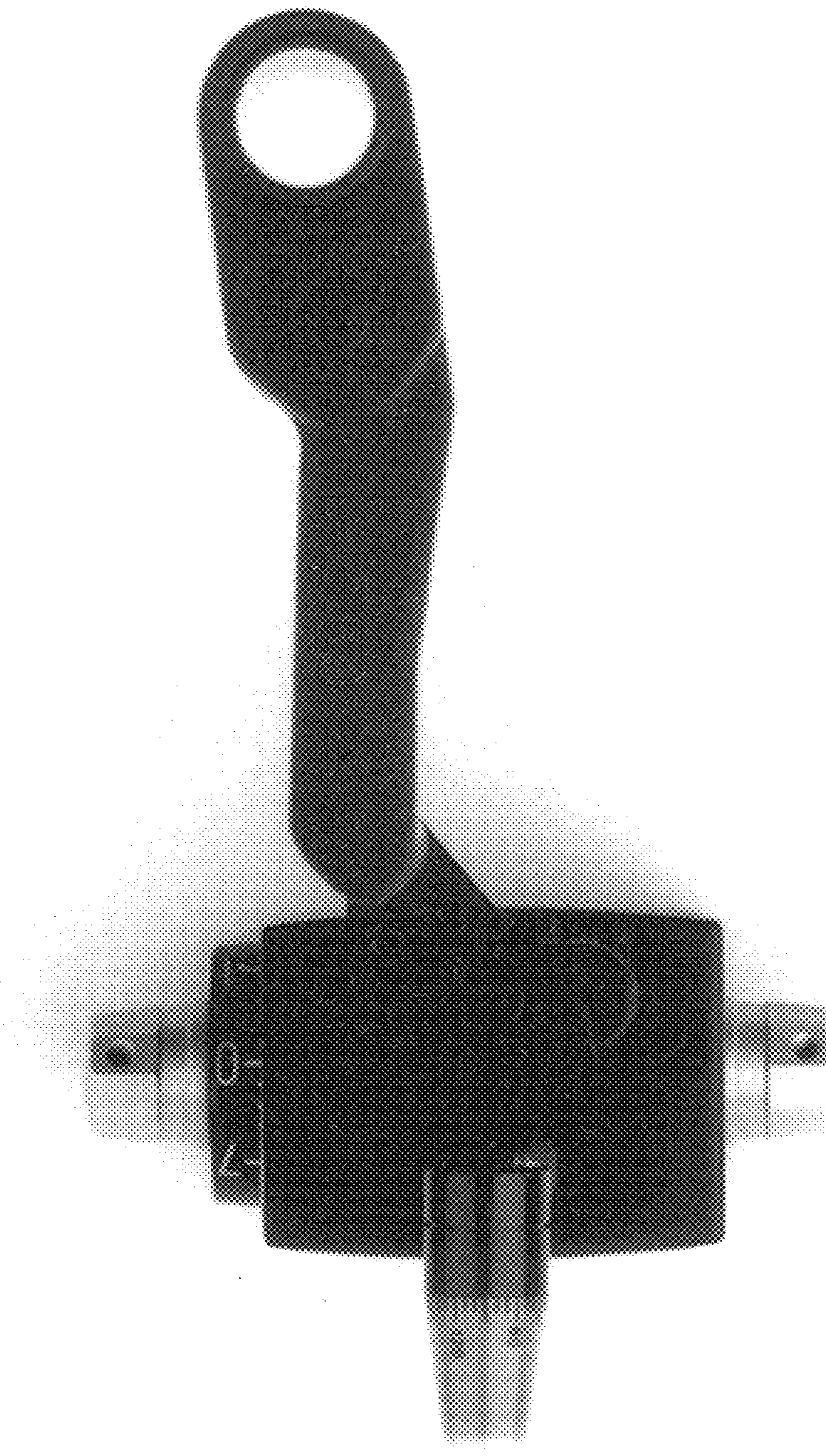
**FIG. 1**



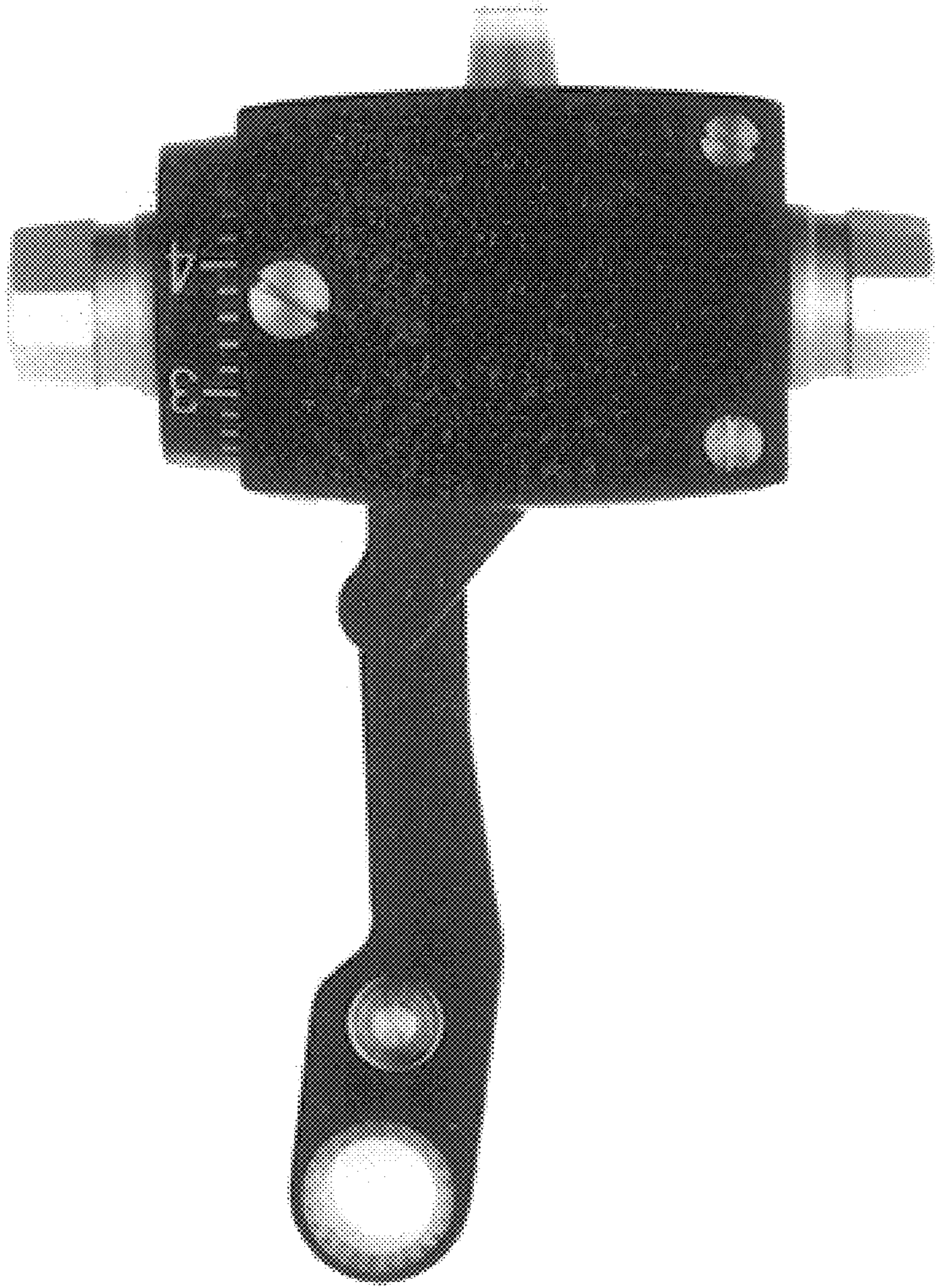
**FIG. 2**



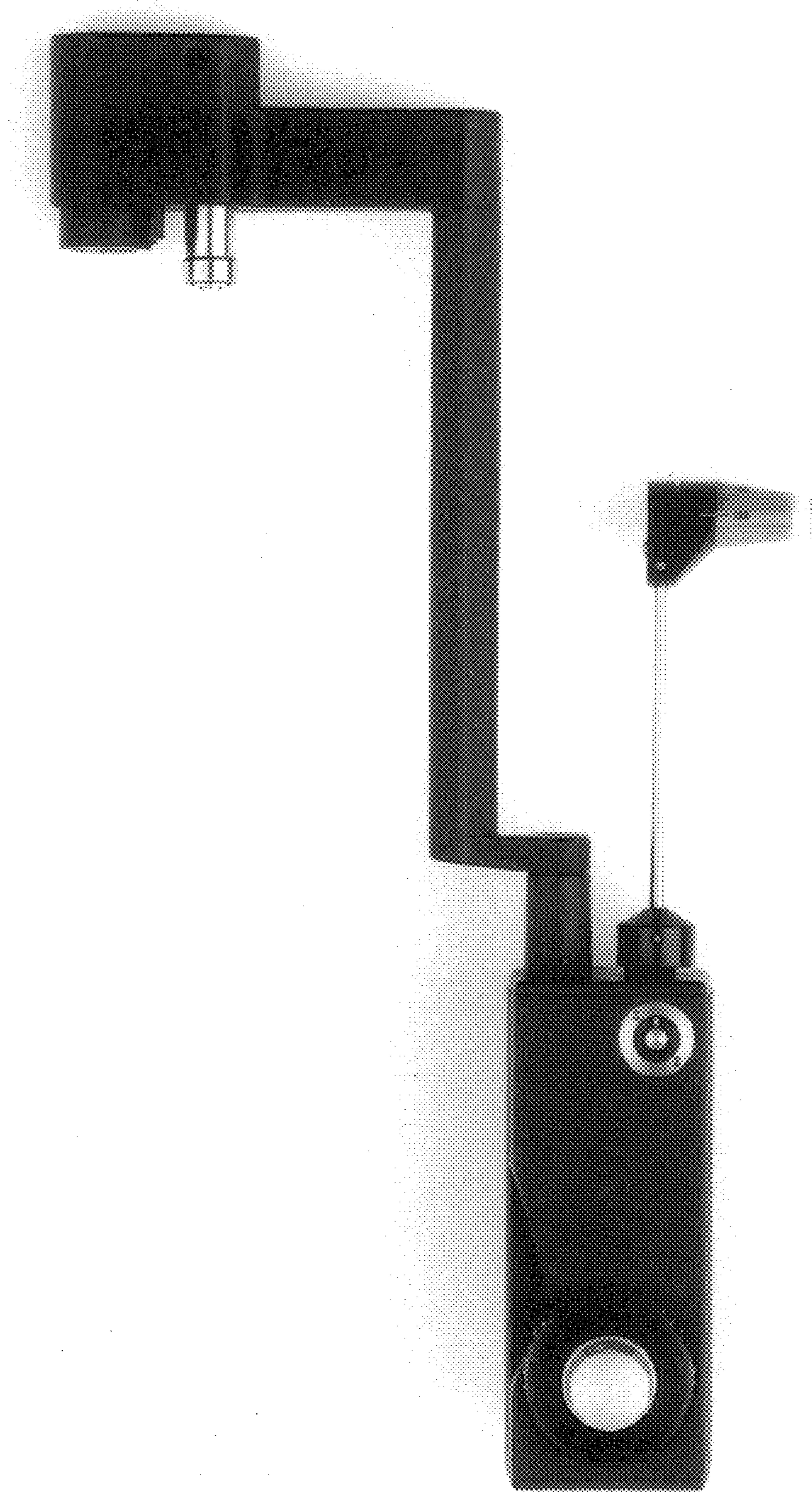
**FIG. 3**



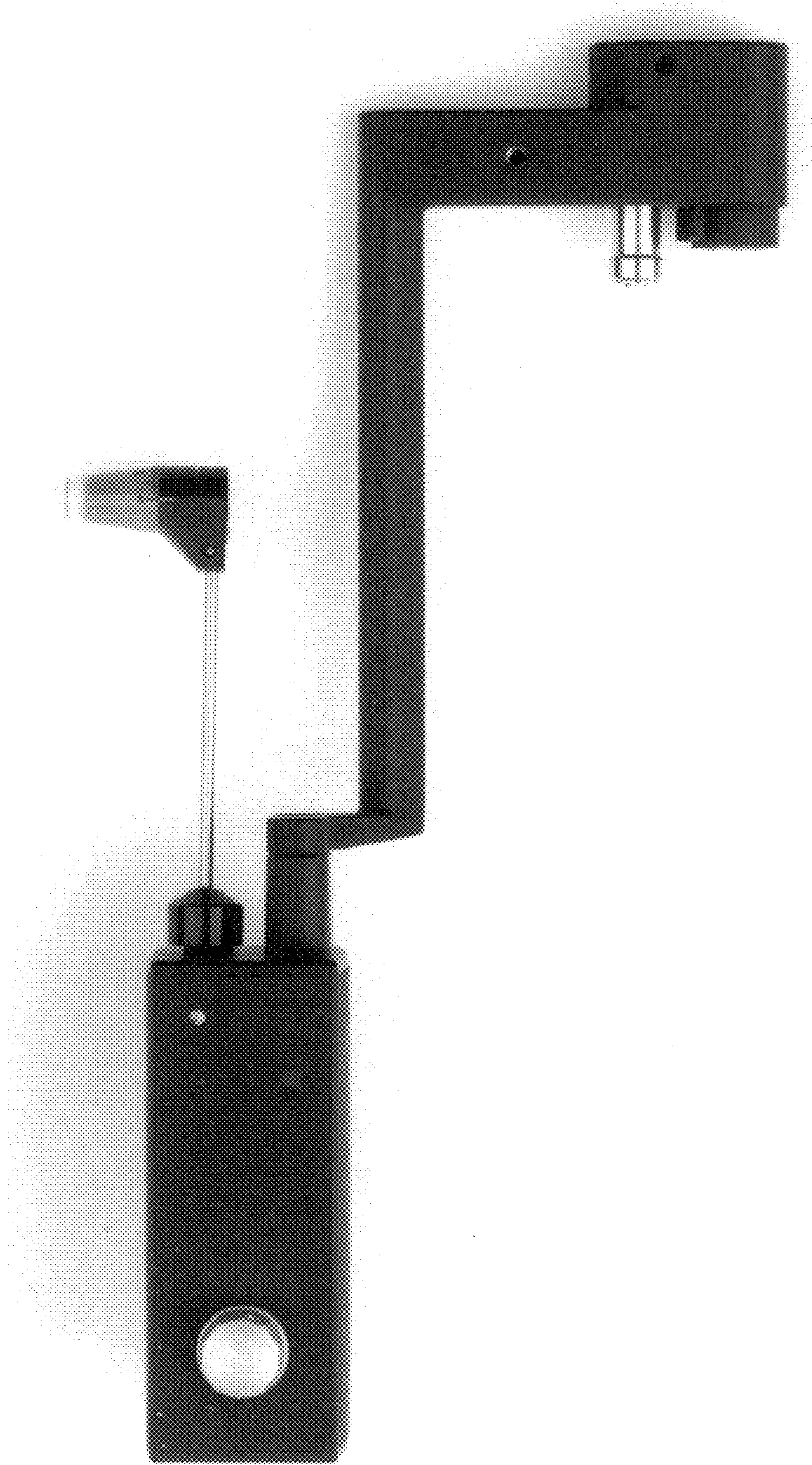
**FIG. 4**



**FIG. 5**



**FIG. 6**



**FIG. 7**