



US00D427312S

United States Patent [19] Douglas

[11] **Patent Number: Des. 427,312**
[45] **Date of Patent: ** Jun. 27, 2000**

[54] **COMBINED BLOOD SAMPLING DEVICE AND METER**

[75] Inventor: **Joel S. Douglas**, Los Altos Hills, Calif.

[73] Assignee: **Amira Medical**

[**] Term: **14 Years**

[21] Appl. No.: **29/097,453**

[22] Filed: **Dec. 7, 1998**

[51] **LOC (7) Cl.** **24-02**

[52] **U.S. Cl.** **D24/169**

[58] **Field of Search** D24/169, 167,
D24/165, 186; 600/309, 316, 319, 322,
368, 583; 436/46, 50; 422/61, 68.1, 56,
58, 102

[56] **References Cited**

U.S. PATENT DOCUMENTS

- D. 323,893 2/1992 Arioka .
- D. 332,833 1/1993 Lauks et al. .
- D. 351,469 10/1994 Okamoto et al. .
- D. 371,198 6/1996 Savage et al. .

- D. 371,605 7/1996 Wong et al. .
- D. 378,612 3/1997 Clark et al. .
- D. 393,314 4/1998 Meisner et al. D24/169
- D. 399,566 10/1998 Sohrab et al. D24/169
- D. 411,621 6/1999 Eisenbarth et al. D24/169
- 5,281,395 1/1994 Markart et al. 422/58 X
- 5,989,917 11/1999 McAleer et al. 436/46

Primary Examiner—Stella Reid
Attorney, Agent, or Firm—Burns, Doane, Swecker & Mathis, L.L.P.

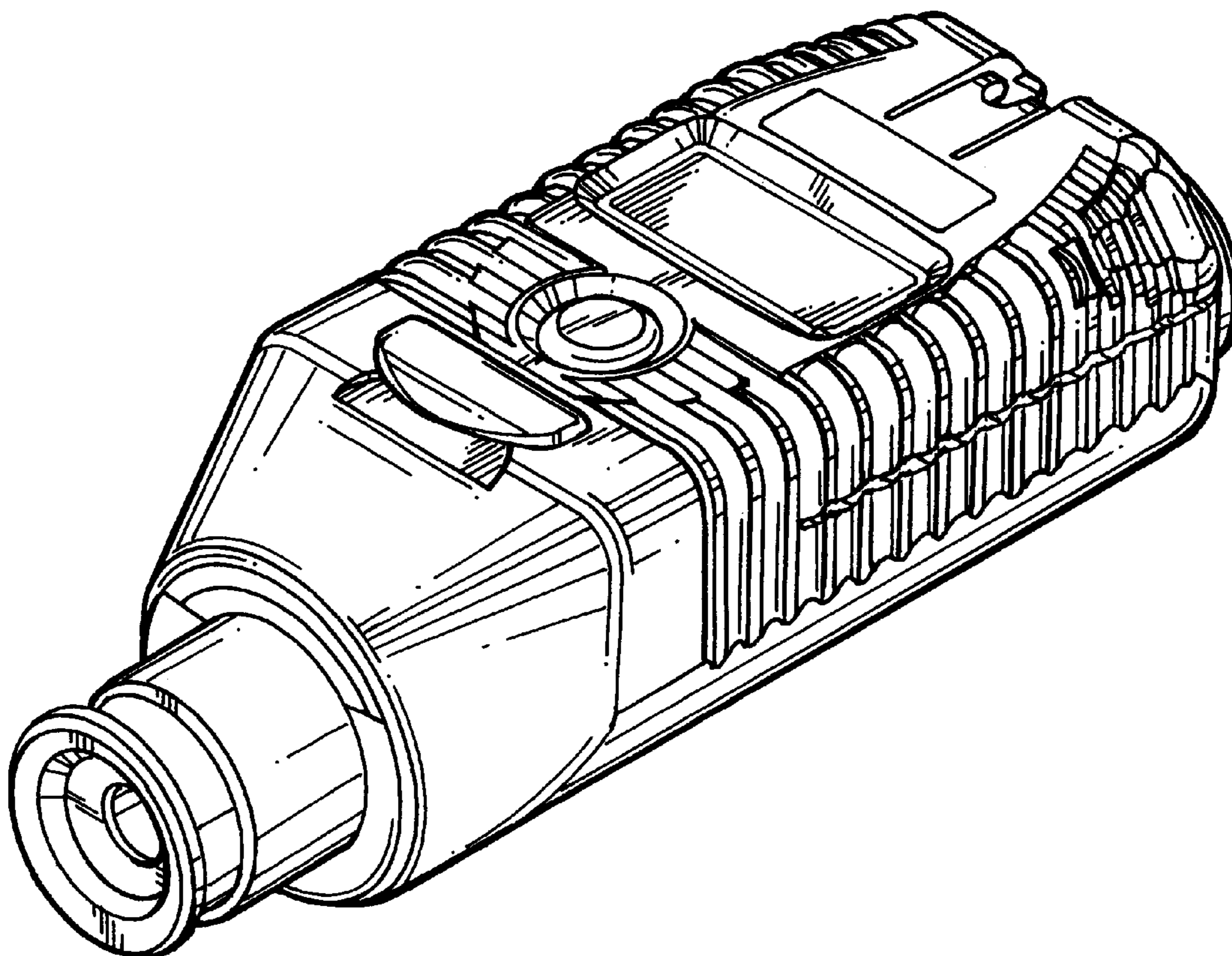
[57] **CLAIM**

The ornamental design for a combined blood sampling device and meter, as shown and described.

DESCRIPTION

FIG. 1 is a top perspective view of a combined blood sampling device and meter showing my new design; FIG. 2 is a bottom perspective view of FIG. 1; FIG. 3 is a back elevational view of FIG. 1; FIG. 4 is a left side elevational view of FIG. 1; FIG. 5 is a front elevational view of FIG. 1; FIG. 6 is a top elevational view of FIG. 1; and, FIG. 7 is a bottom elevational view of FIG. 1.

1 Claim, 3 Drawing Sheets



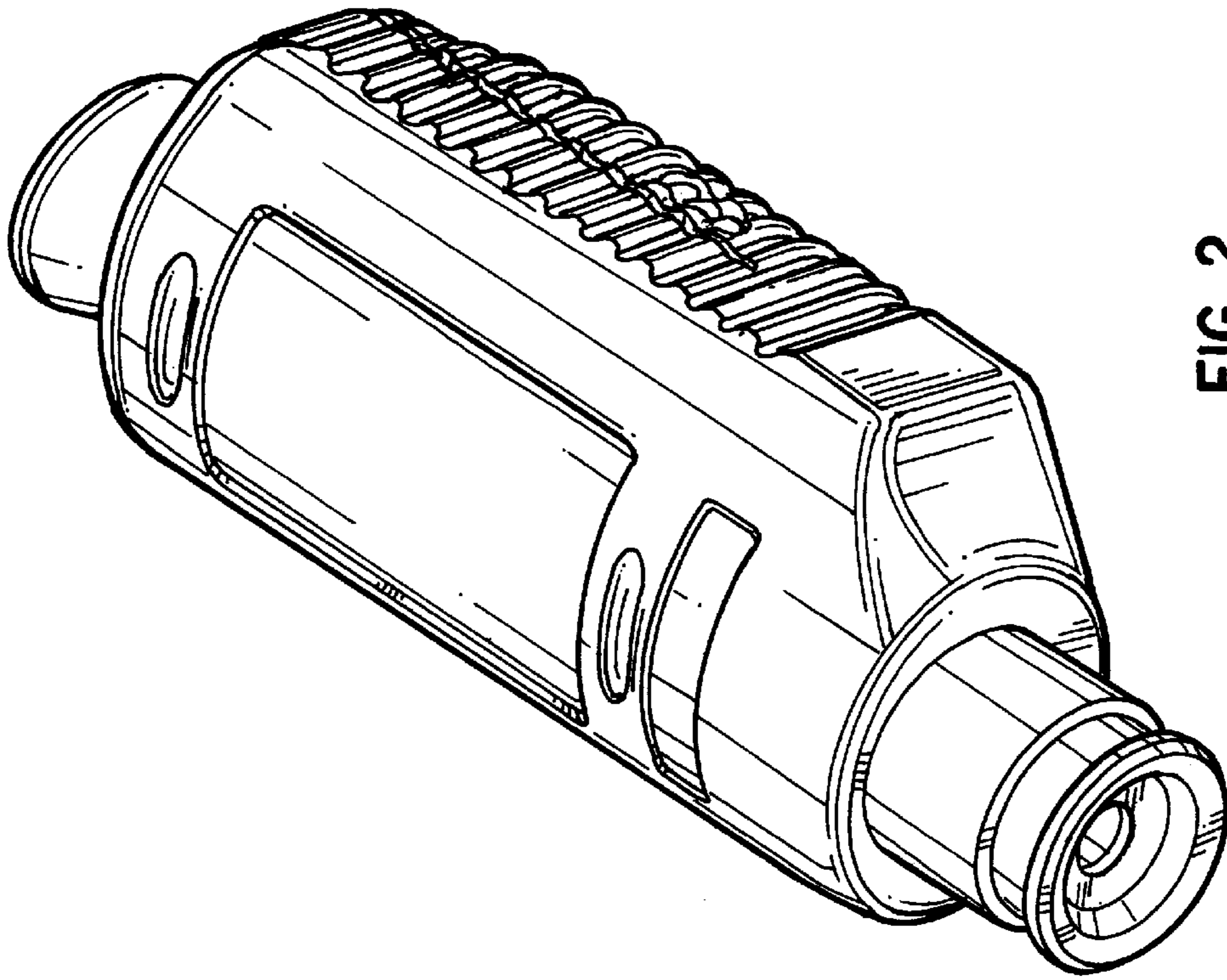


FIG. 2

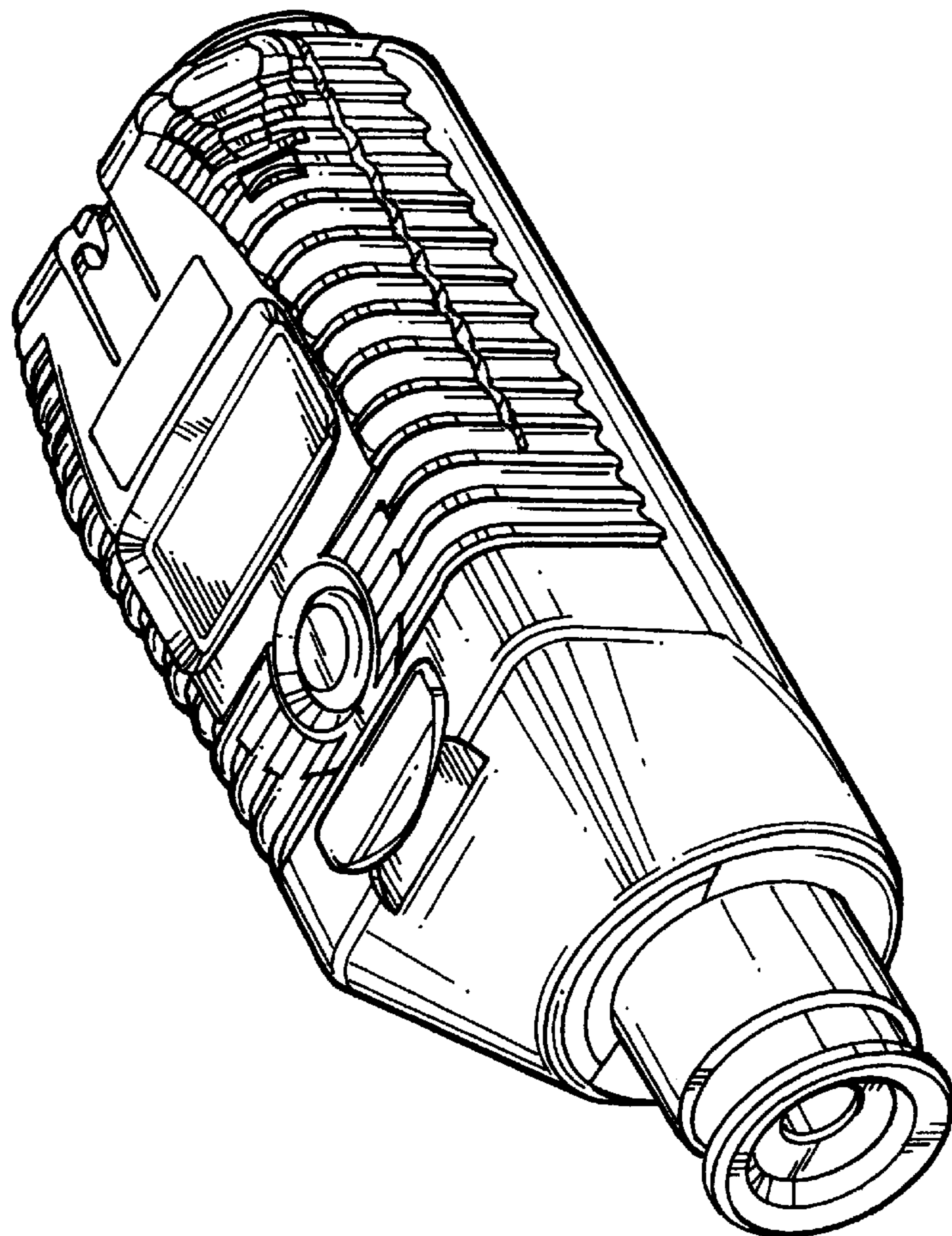


FIG. 1

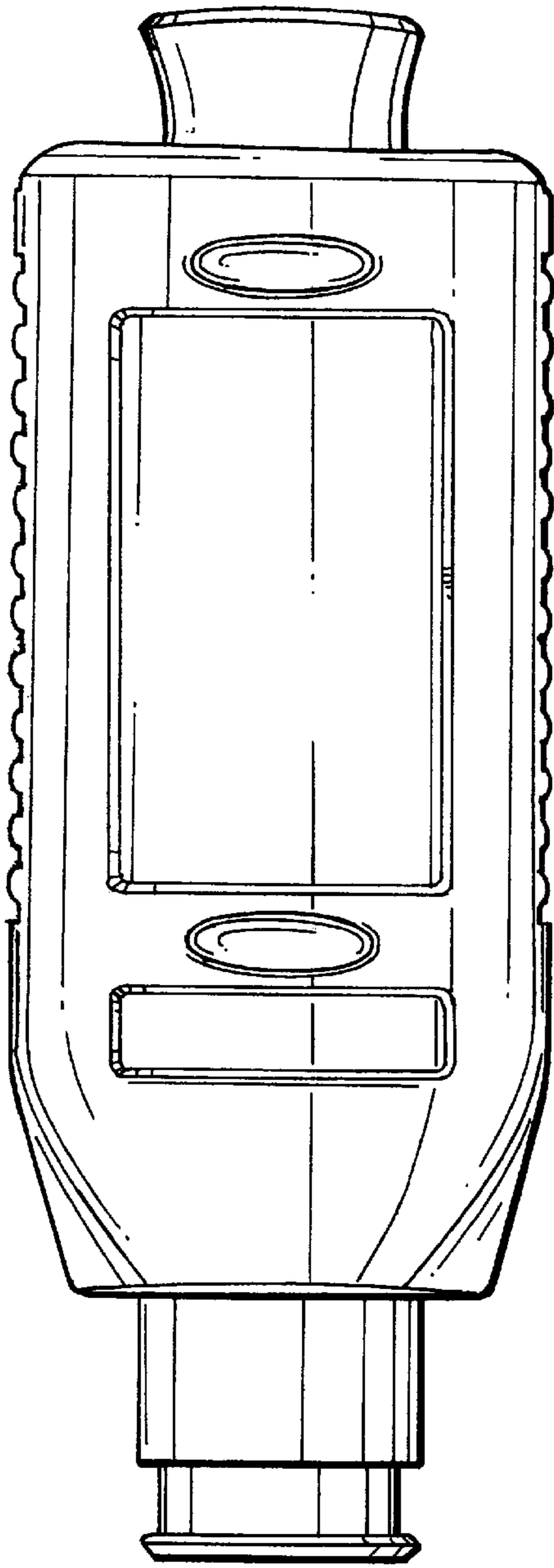


FIG. 3

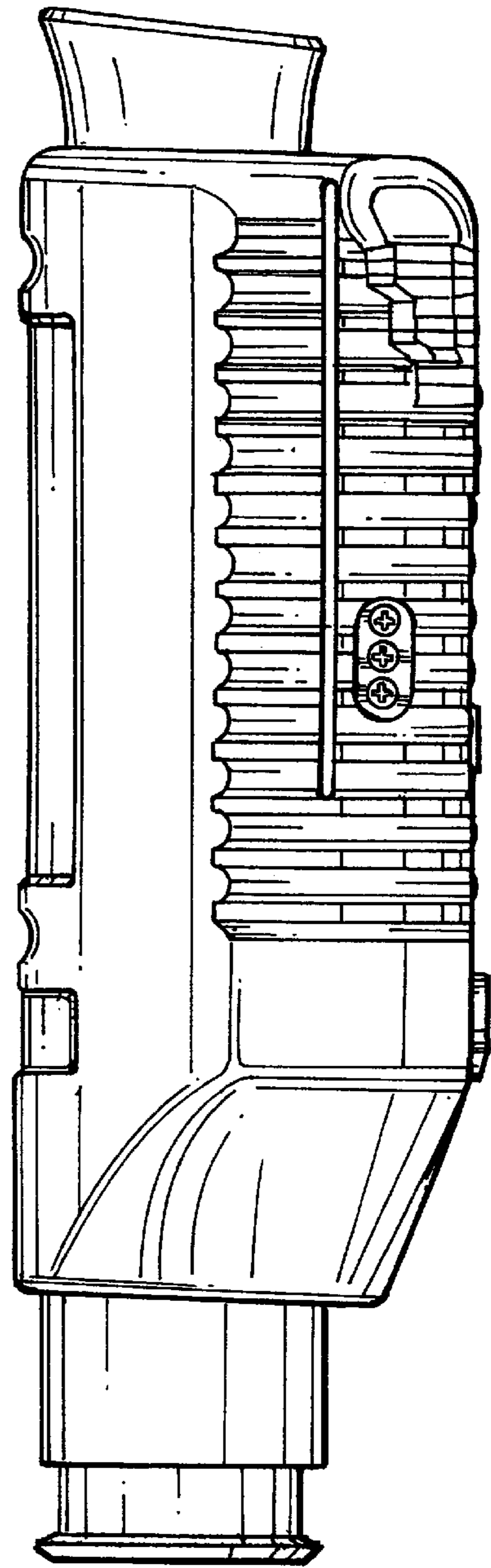


FIG. 4

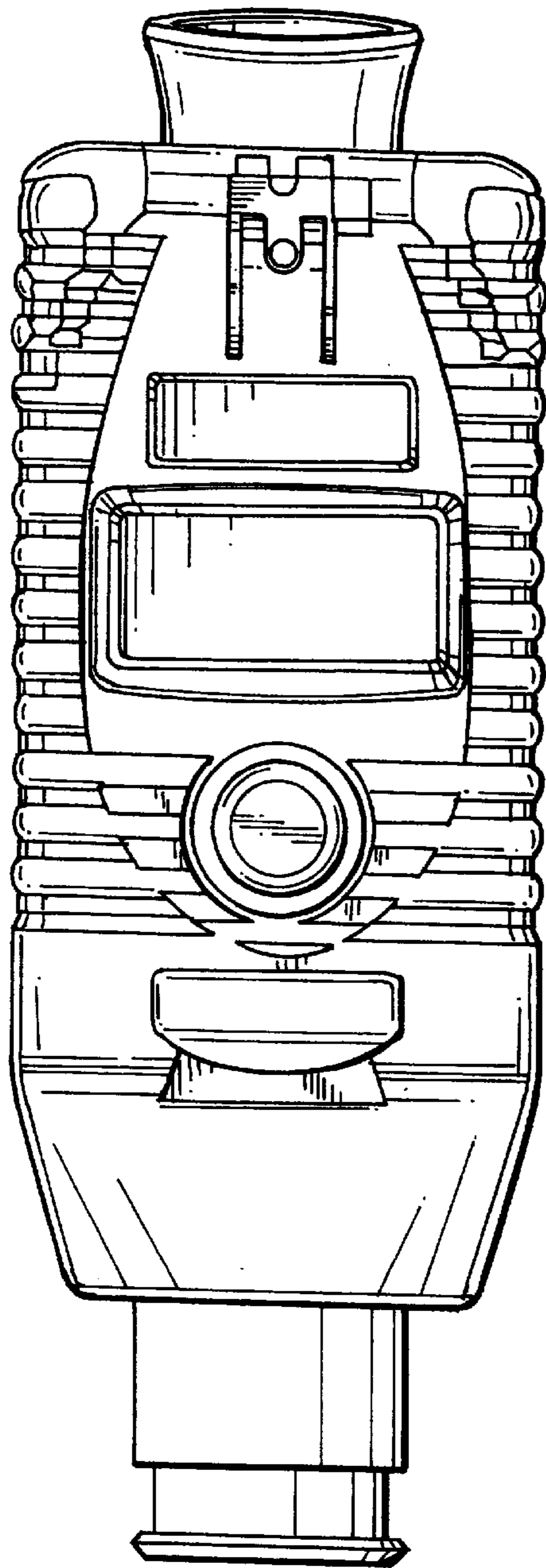


FIG. 5

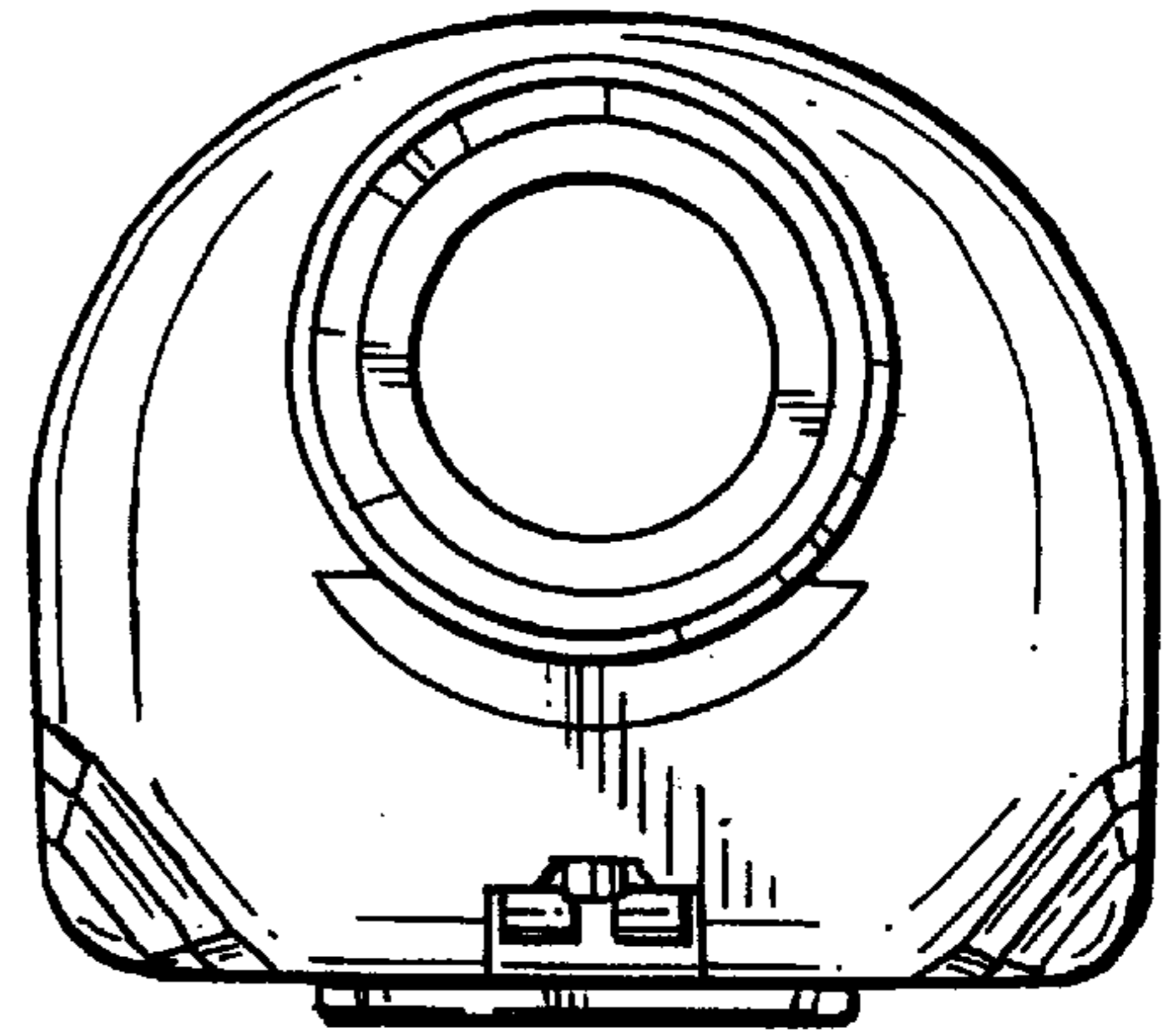


FIG. 6

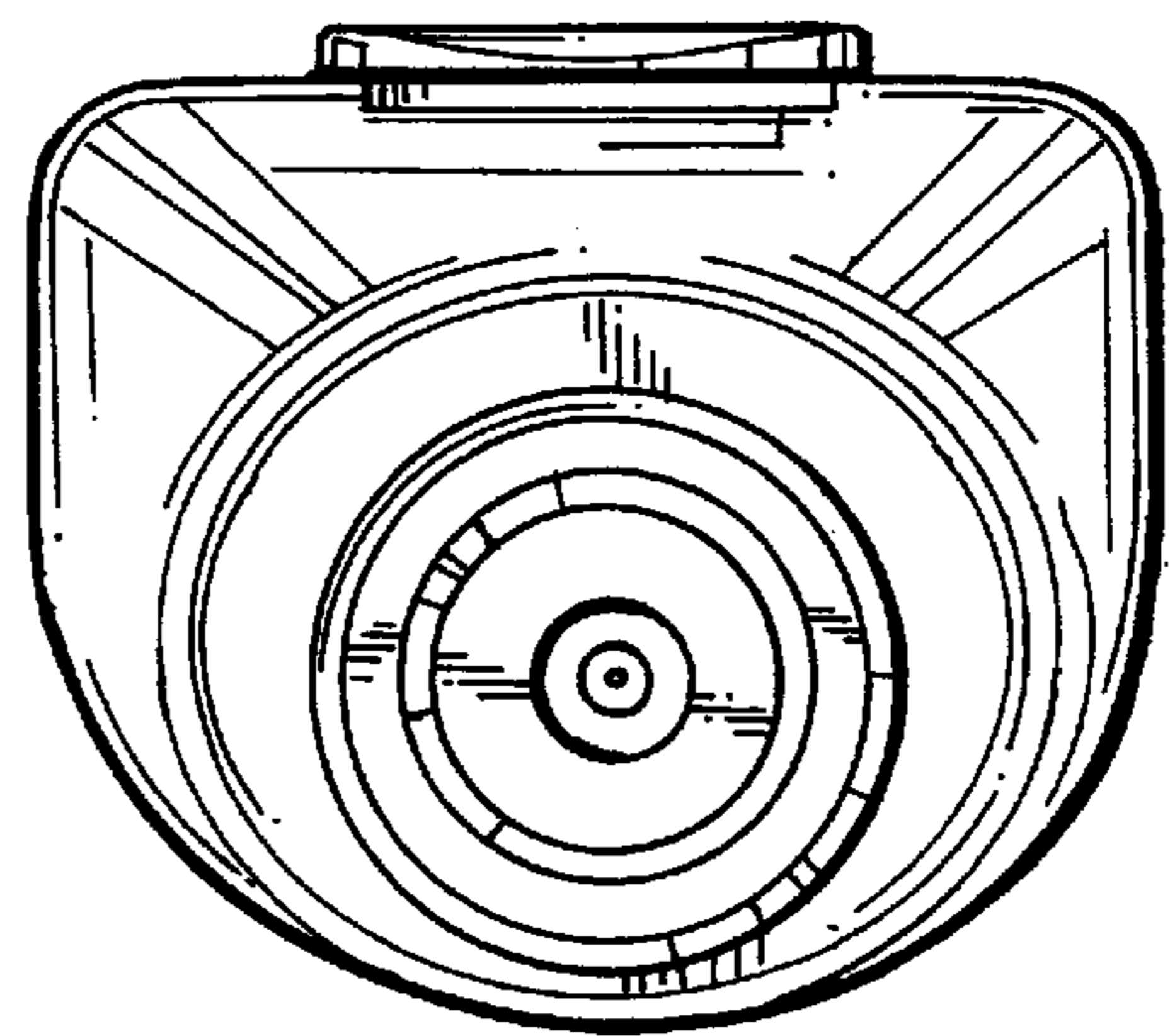


FIG. 7