



US00D427308S

United States Patent [19] Zinger

[11] **Patent Number: Des. 427,308**

[45] **Date of Patent: ** Jun. 27, 2000**

[54] **VIAL ADAPTER**

[75] Inventor: **Fredy Zinger**, Raanana, Israel

[73] Assignee: **Medimop Medical Projects Ltd.**,
Raanana, Israel

[**] Term: **14 Years**

[21] Appl. No.: **29/099,525**

[22] Filed: **Jan. 22, 1999**

[51] **LOC (7) Cl.** **24-02**

[52] **U.S. Cl.** **D24/129; D24/130**

[58] **Field of Search** **D24/129, 130;**
604/411, 414, 88, 412, 539, 537, 283, 416,
413

[56] **References Cited**

U.S. PATENT DOCUMENTS

D. 267,199	12/1982	Koenig	D24/129
D. 280,018	8/1985	Scott	D24/130
4,759,756	7/1988	Forman et al.	604/413
4,834,152	5/1989	Howson et al.	604/416
5,211,638	5/1993	Dudar et al.	604/283
5,344,417	9/1994	Wadsworth, Jr.	604/414
5,364,387	11/1994	Sweeny	604/411
5,989,237	11/1999	Fowles et al.	604/413

FOREIGN PATENT DOCUMENTS

0637443 5/1994 European Pat. Off. .

Primary Examiner—Ian Simmons
Attorney, Agent, or Firm—Ladas & Parry

[57] **CLAIM**

I claim the ornamental design for a vial adapter, as shown and described.

DESCRIPTION

FIG. 1 is a top perspective view of a first embodiment of the vial adapter;

FIG. 2 is a bottom perspective view thereof;

FIG. 3 is a top view thereof;

FIG. 4 is a front view thereof, the rear view being identical thereto;

FIG. 5 is a left side view thereof, the right side views being identical thereto;

FIG. 6 is a bottom view thereof;

FIG. 7 is a top perspective view of a second embodiment of the vial adapter;

FIG. 8 is a bottom perspective view of FIG. 7;

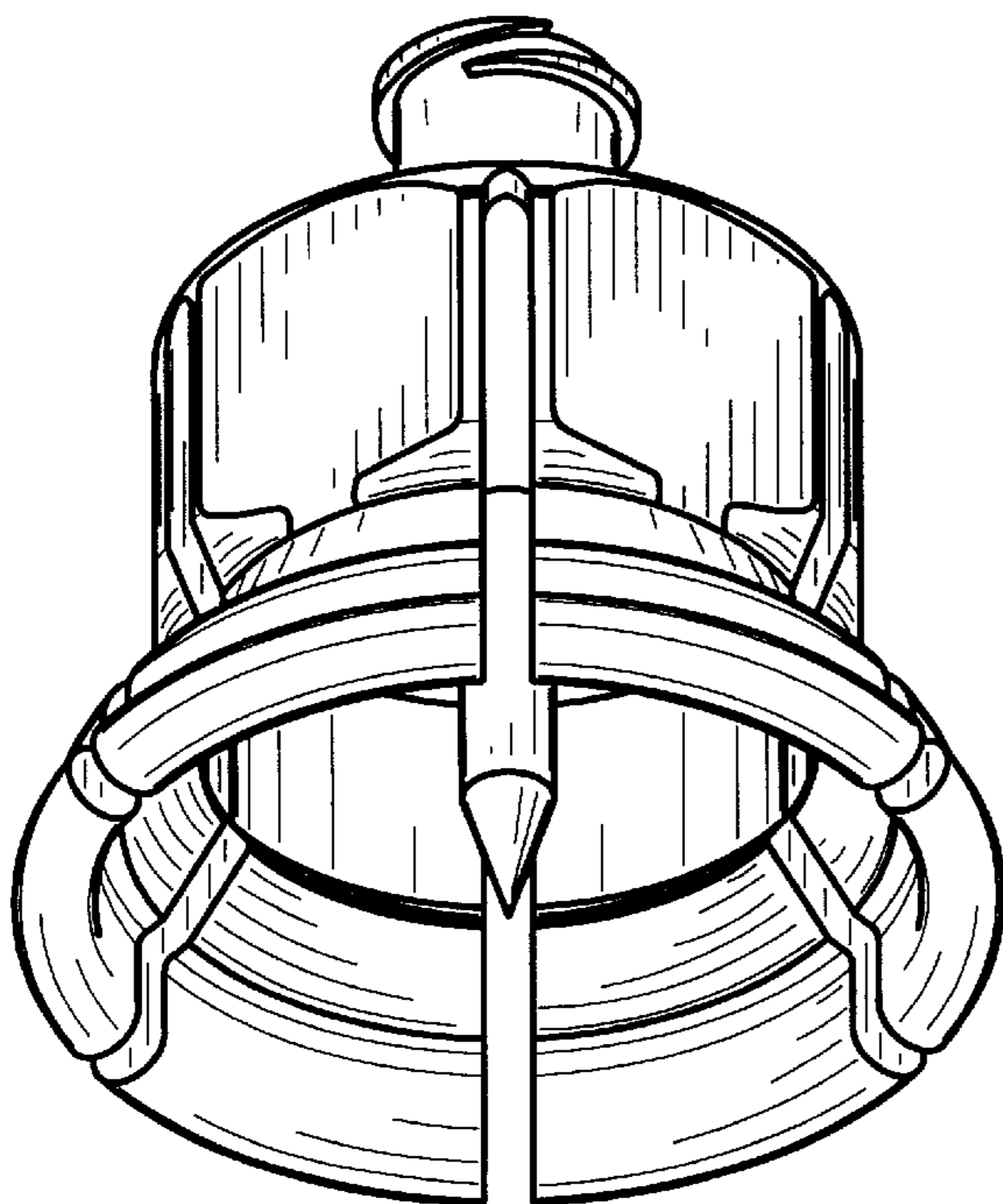
FIG. 9 is a top view of FIG. 7;

FIG. 10 is a front view thereof, the rear view being identical thereto;

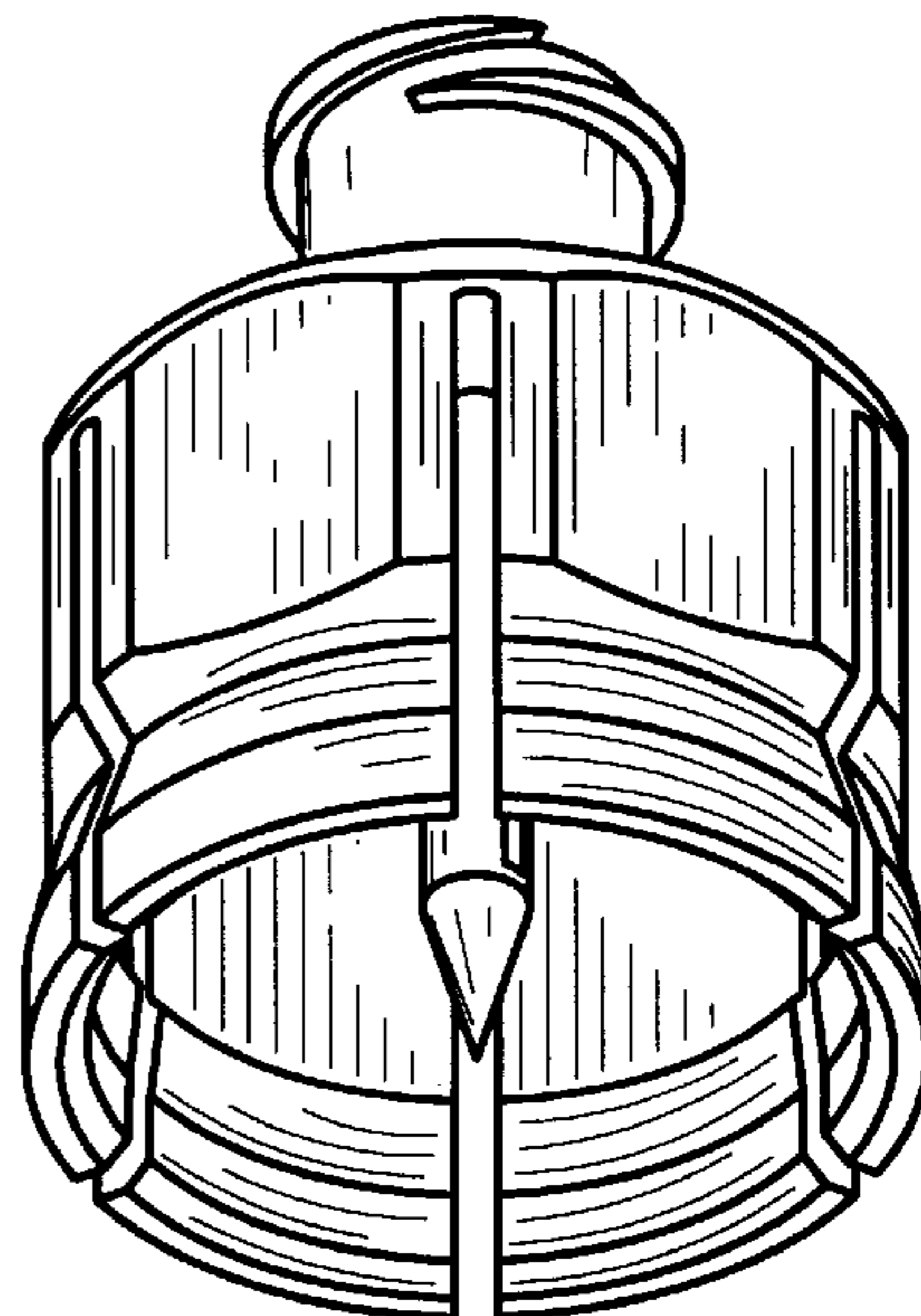
FIG. 11 is a left side view thereof, the right side views being identical thereto; and,

FIG. 12 is a bottom view of FIG. 7.

1 Claim, 4 Drawing Sheets



BOTTOM PERSPECTIVE VIEW



BOTTOM PERSPECTIVE VIEW

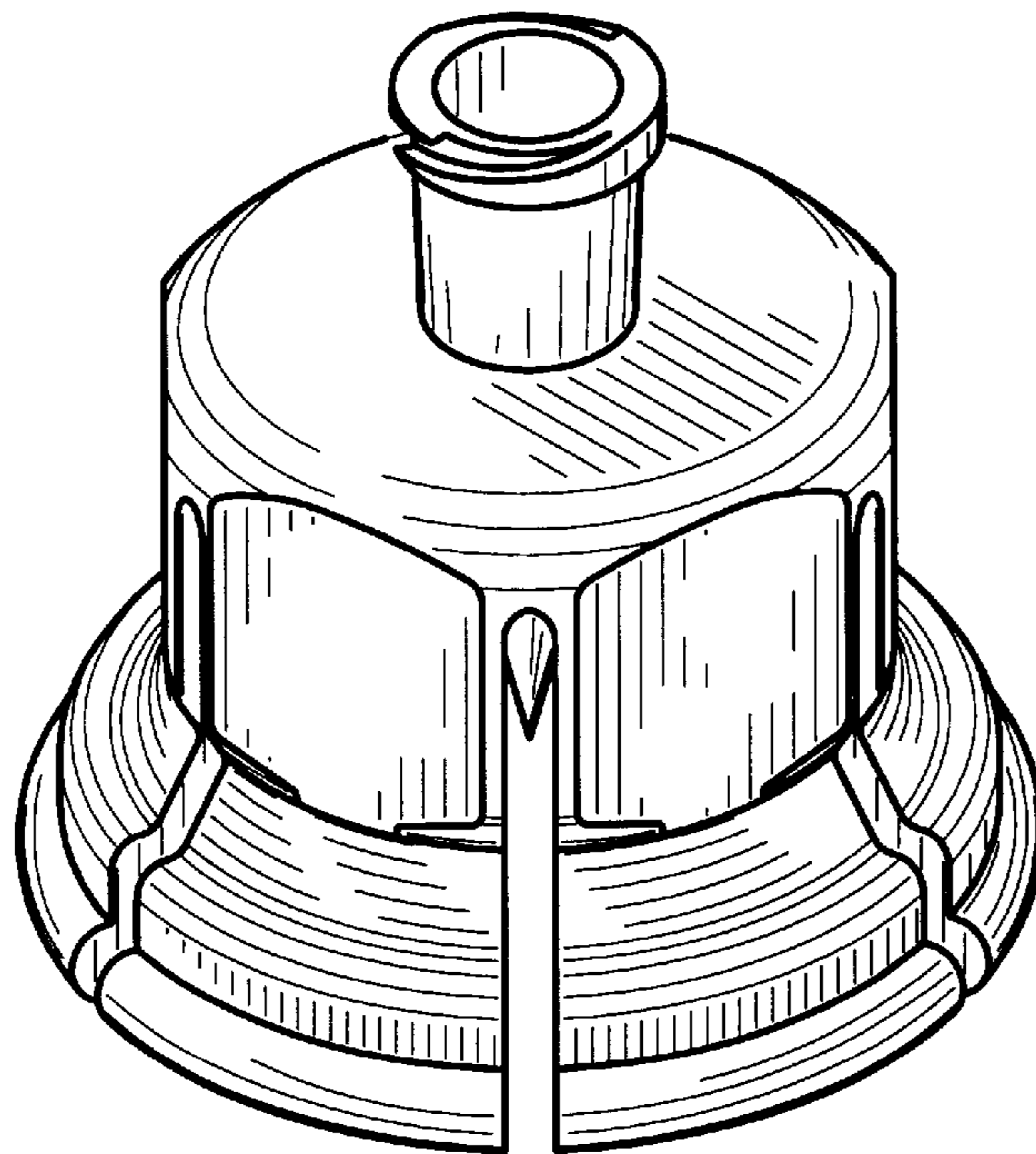


FIG. 1
TOP PERSPECTIVE VIEW

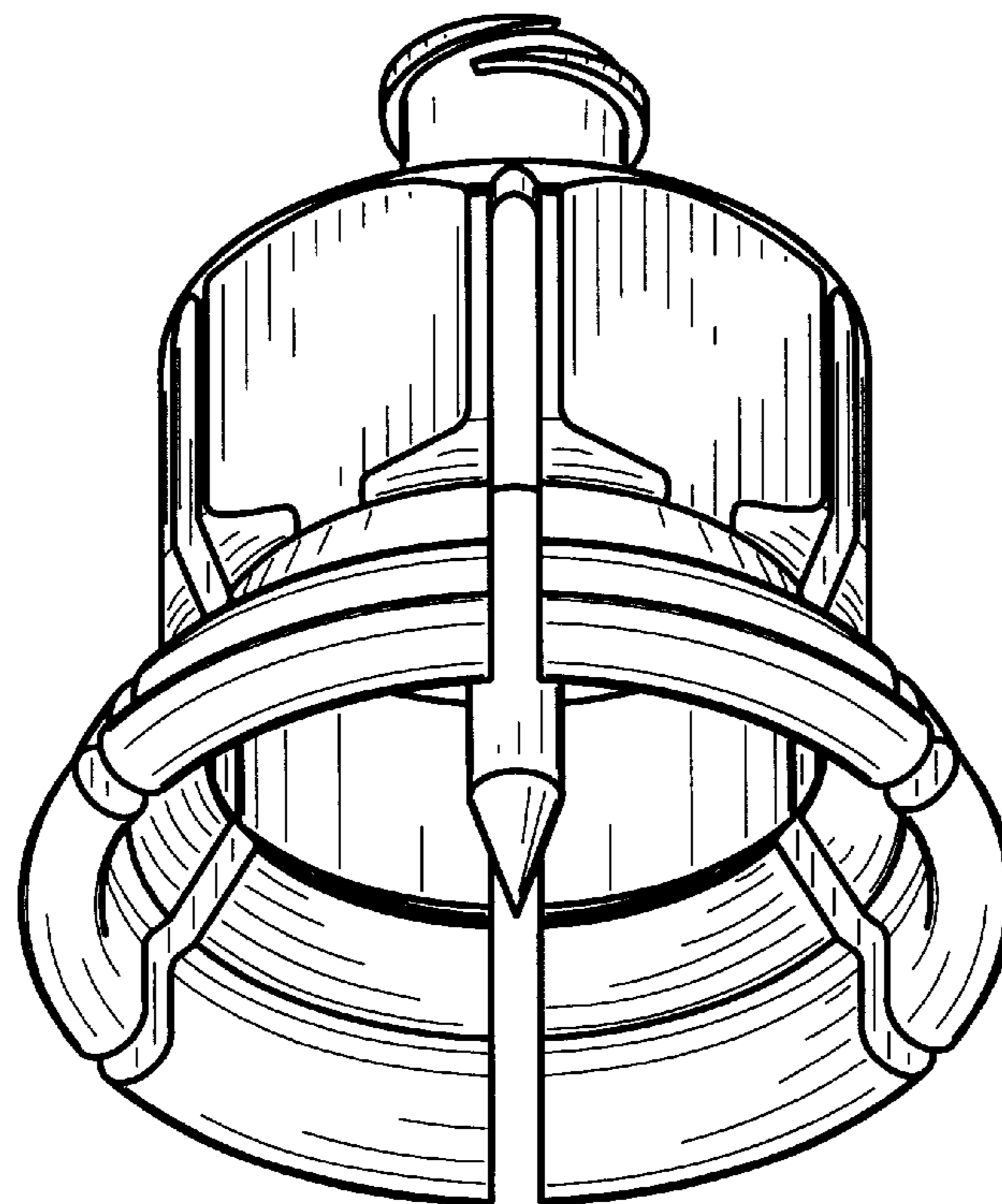


FIG. 2
BOTTOM PERSPECTIVE VIEW

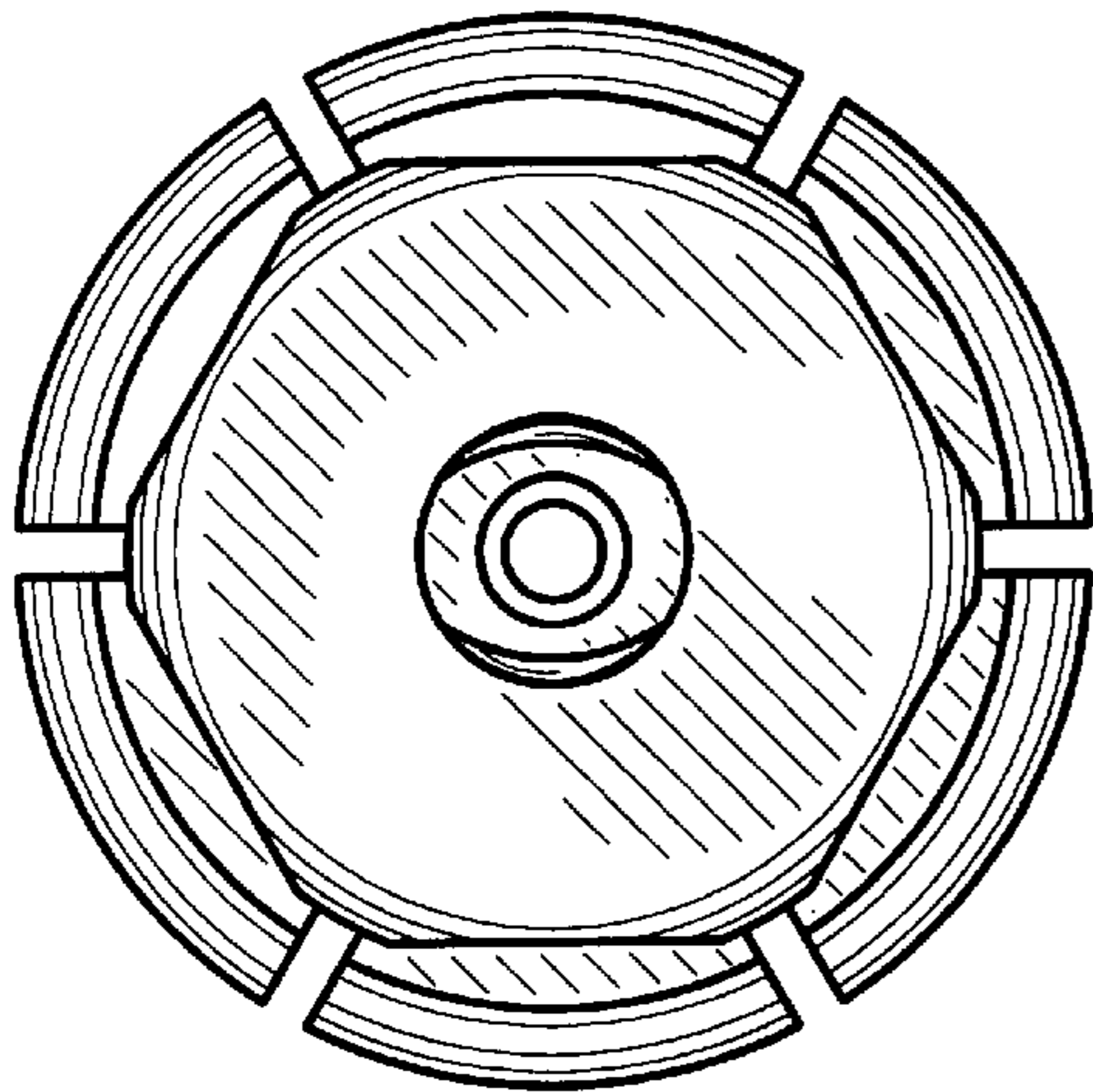


FIG. 3
TOP VIEW

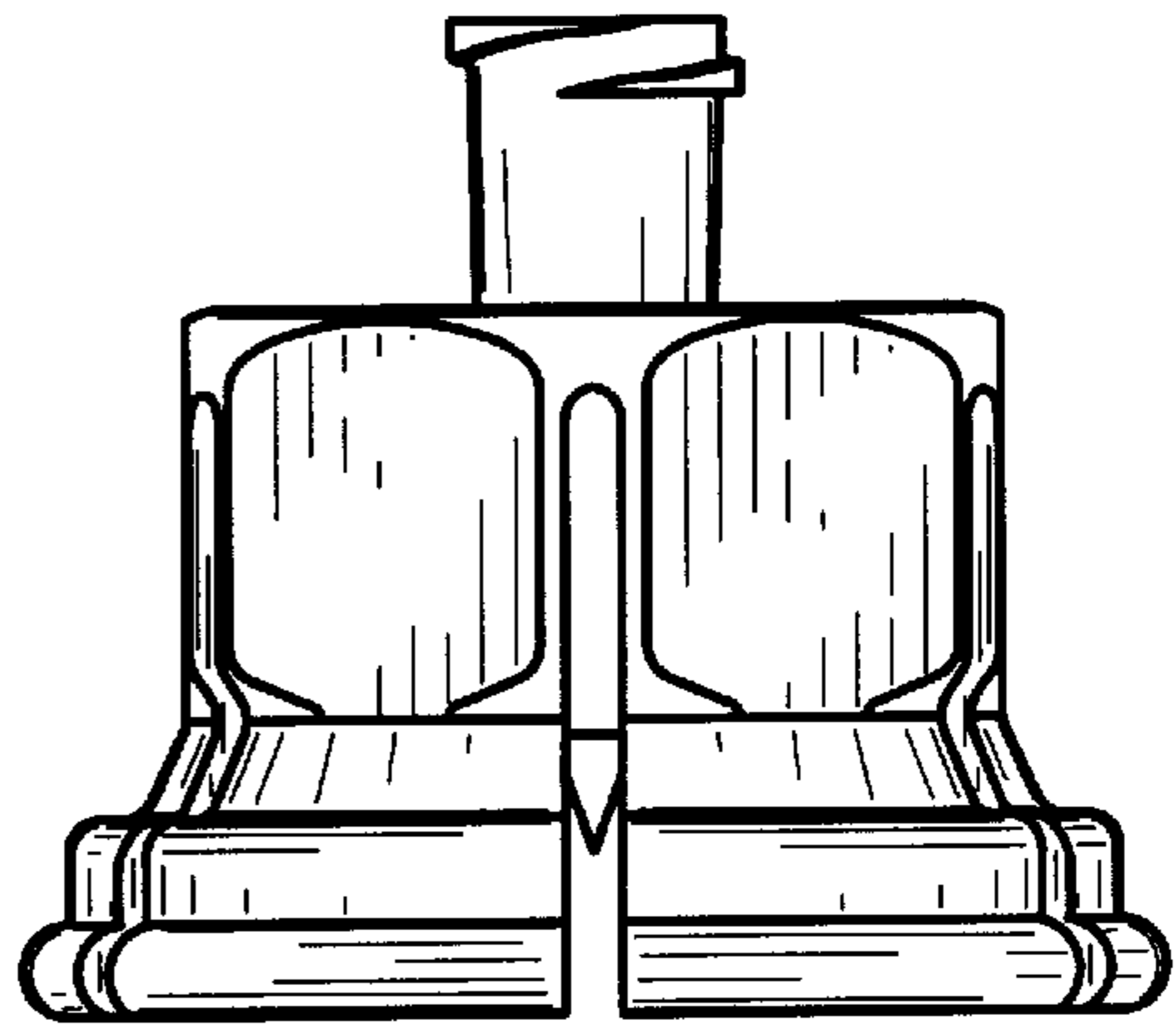


FIG. 4
FRONT VIEW

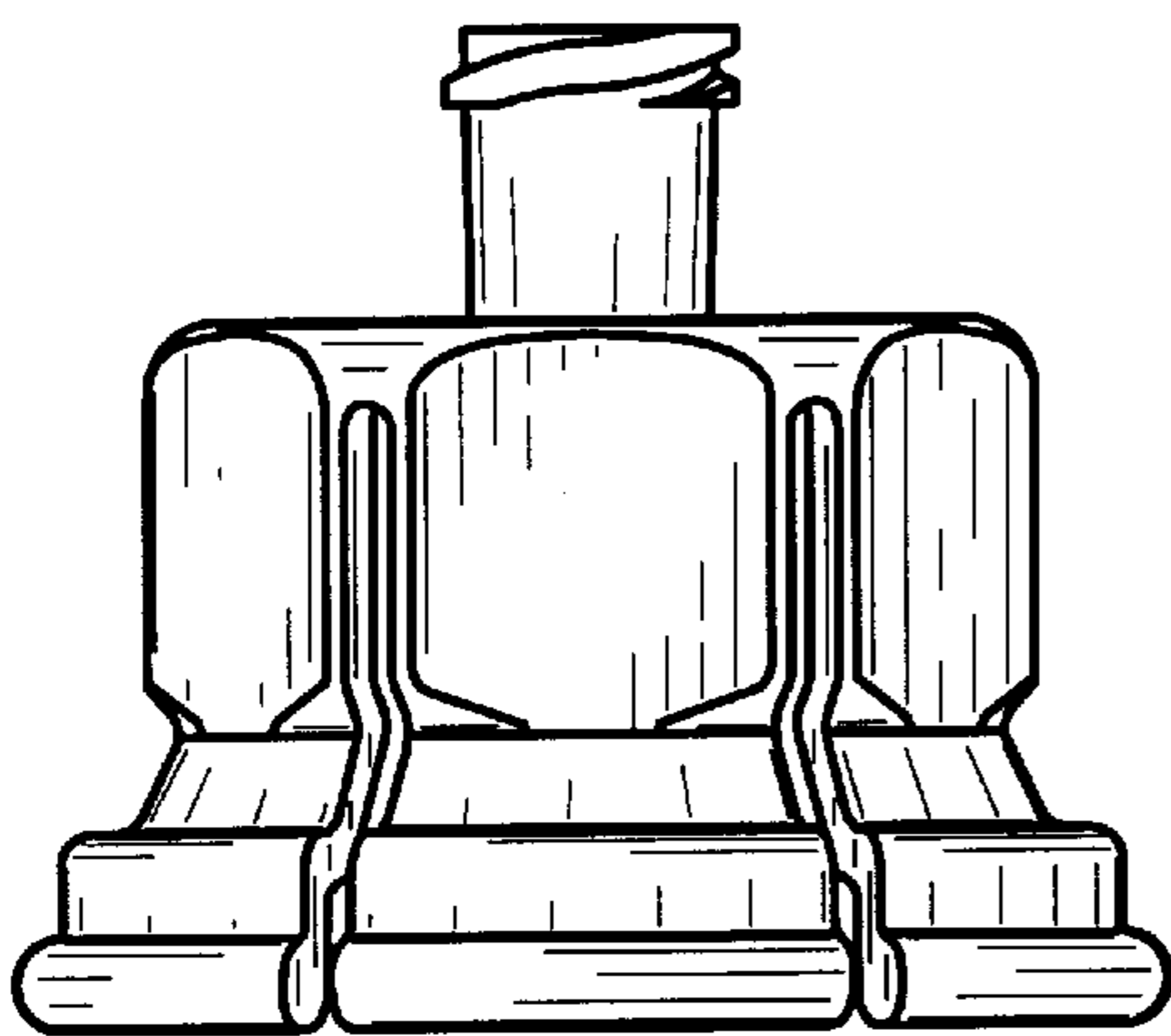


FIG. 5
LEFT SIDE VIEW

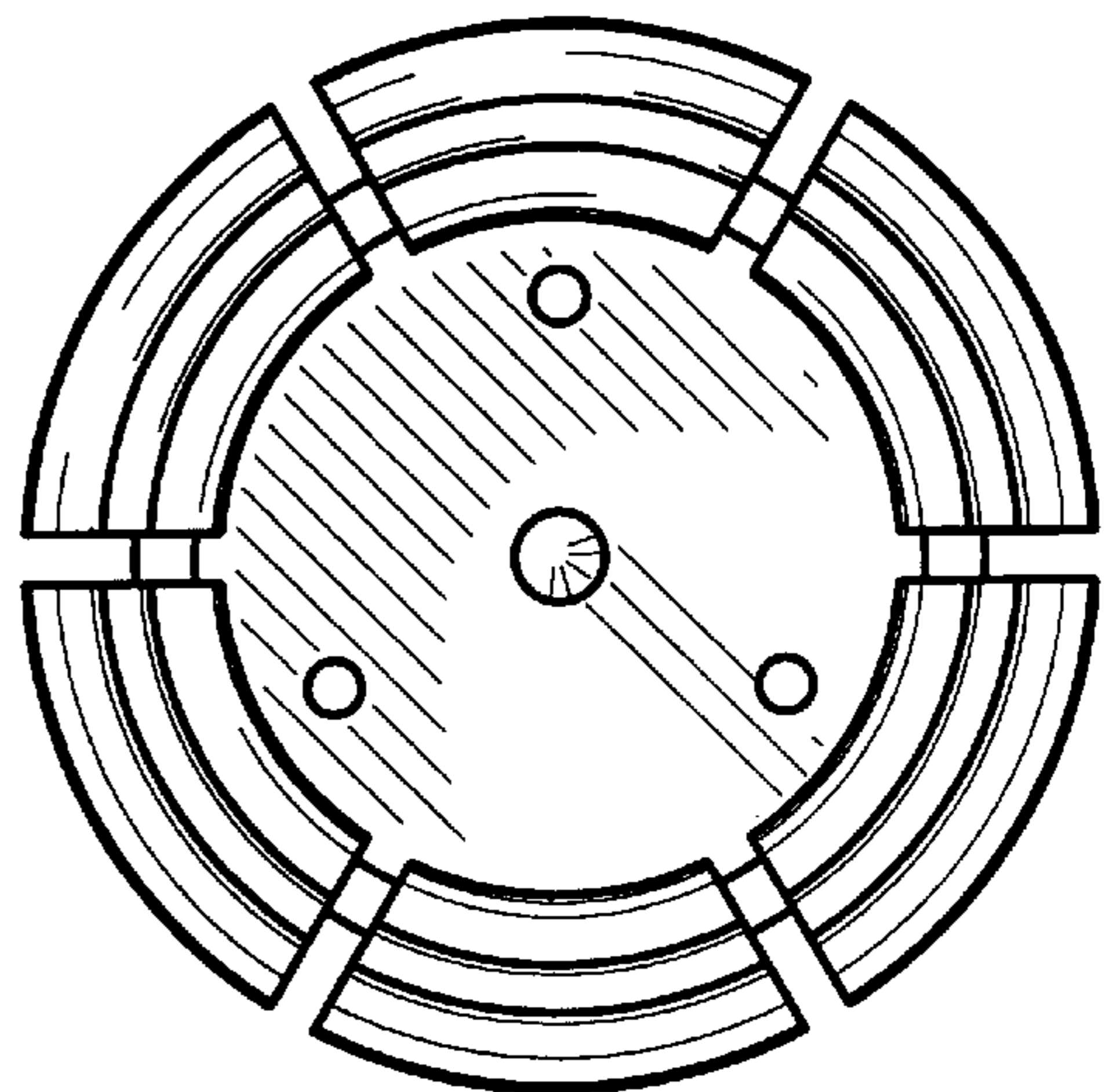


FIG. 6
BOTTOM VIEW

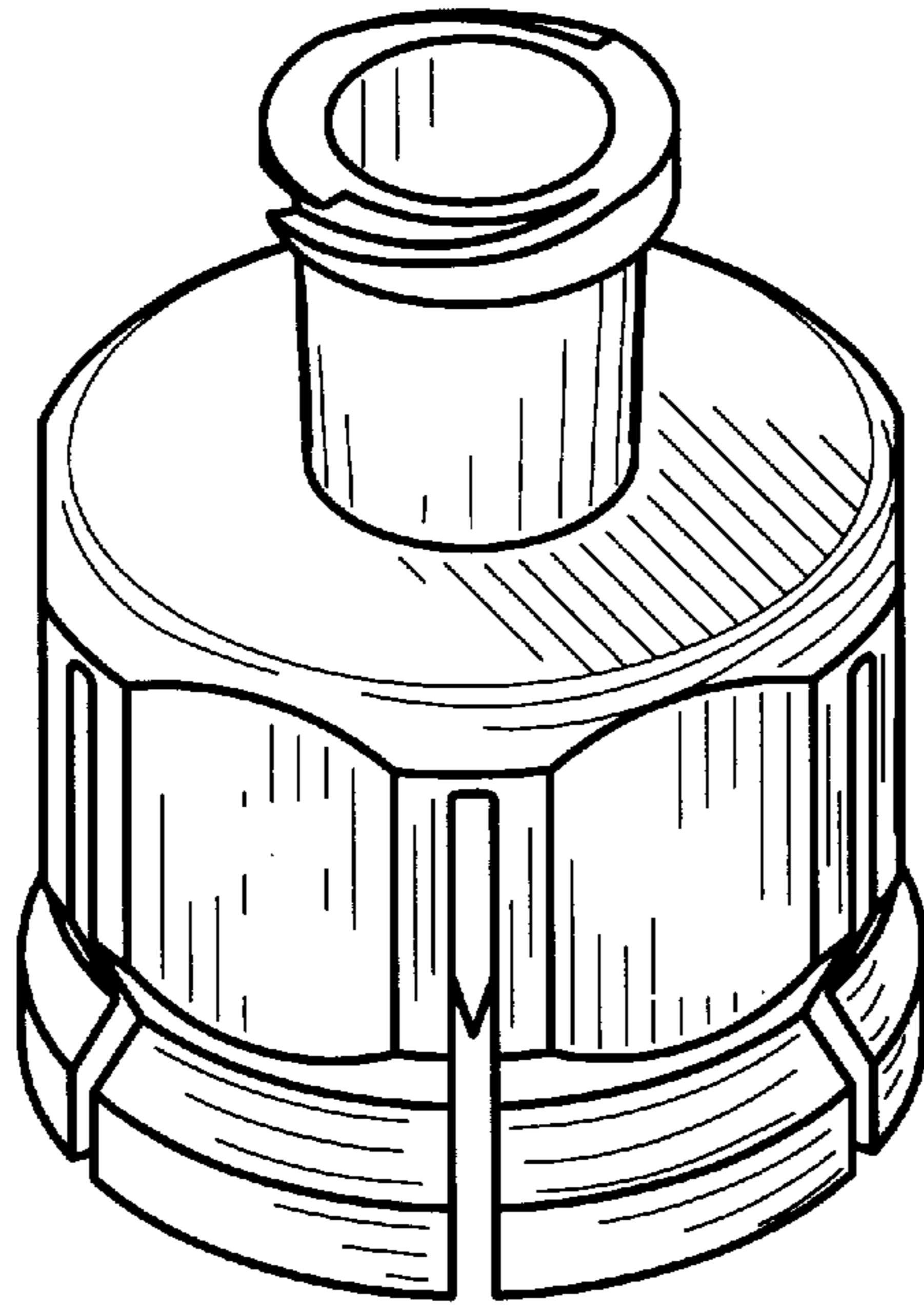


FIG. 7
TOP PERSPECTIVE VIEW

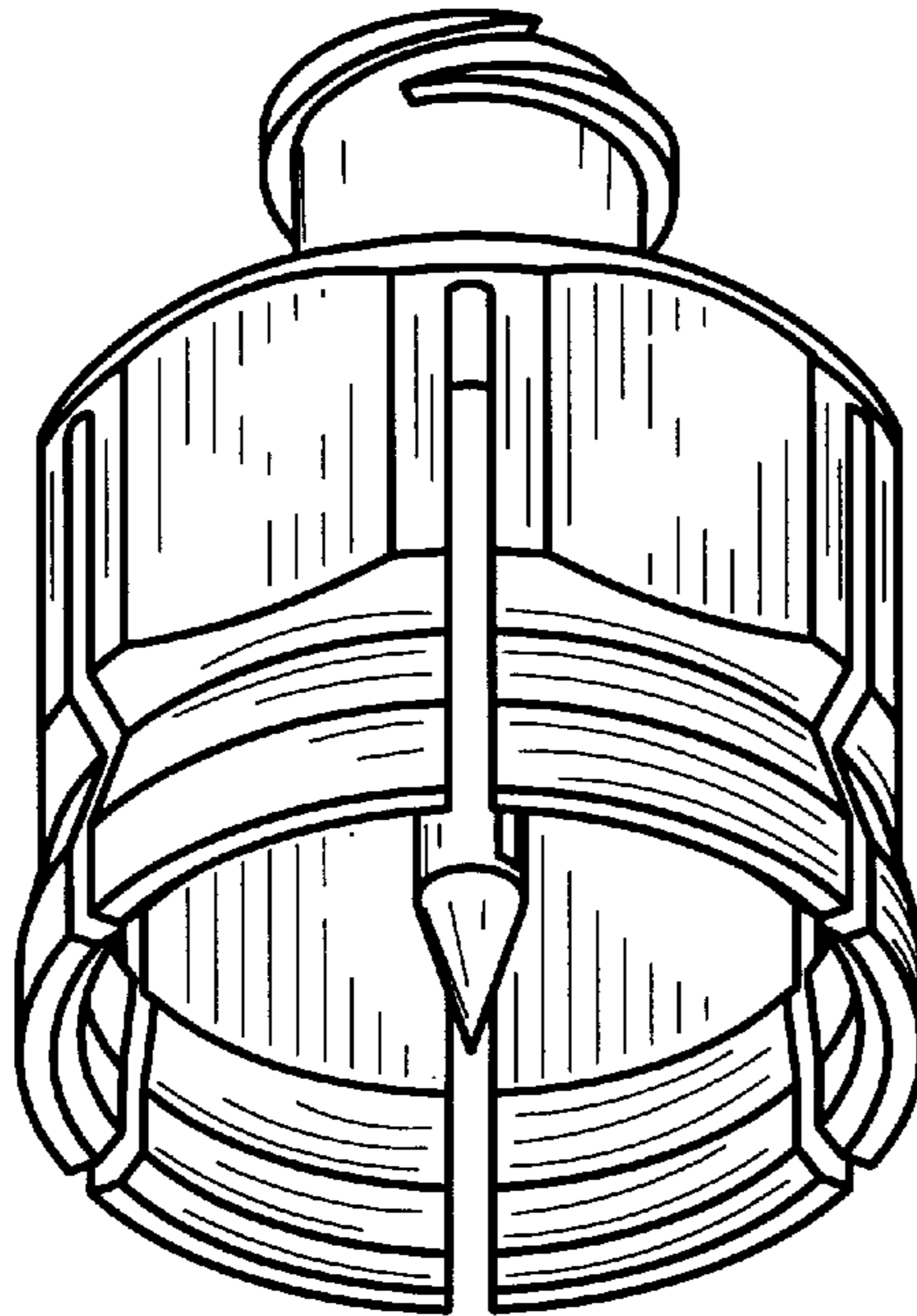


FIG. 8
BOTTOM PERSPECTIVE VIEW

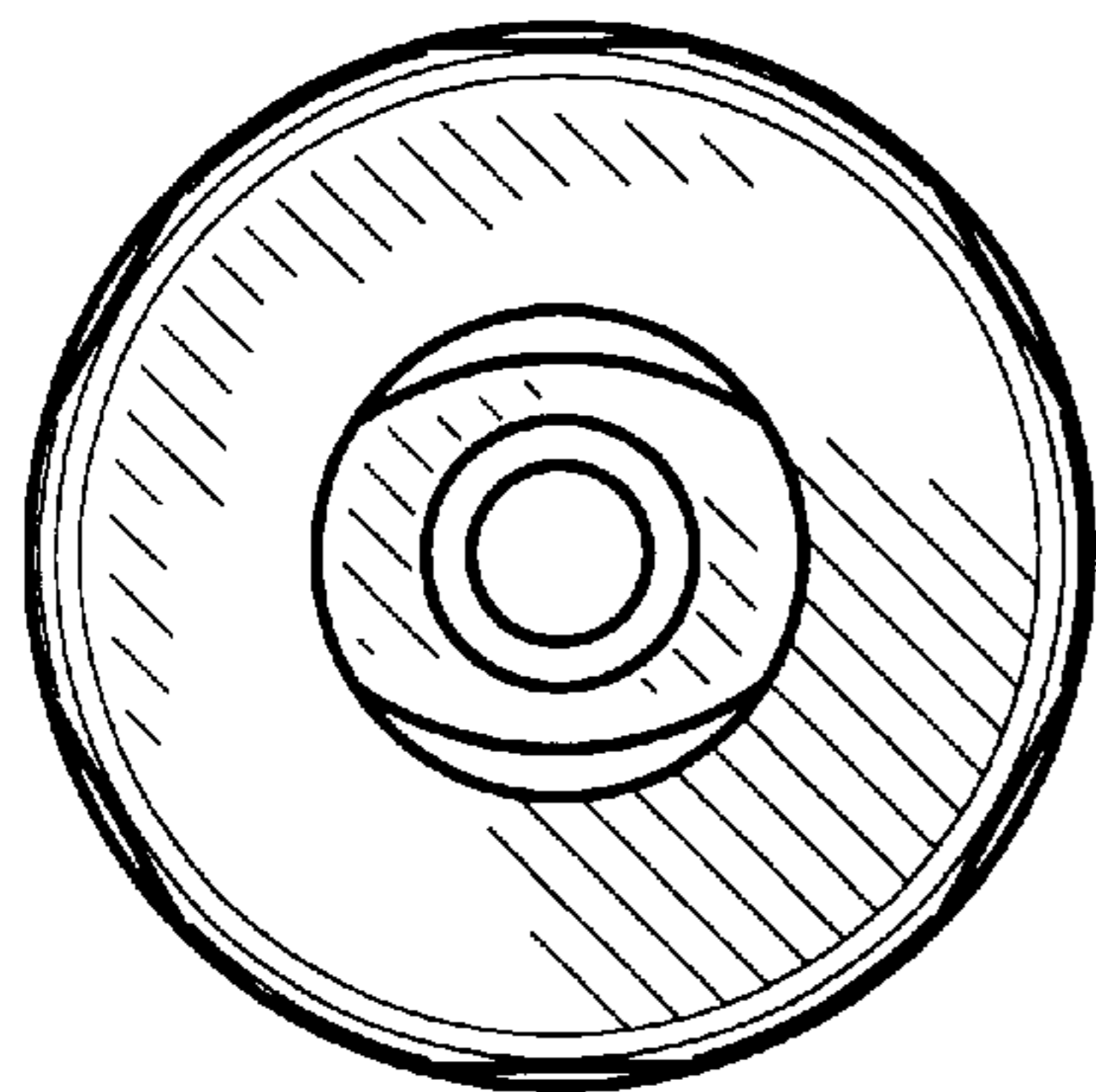


FIG. 9
TOP VIEW

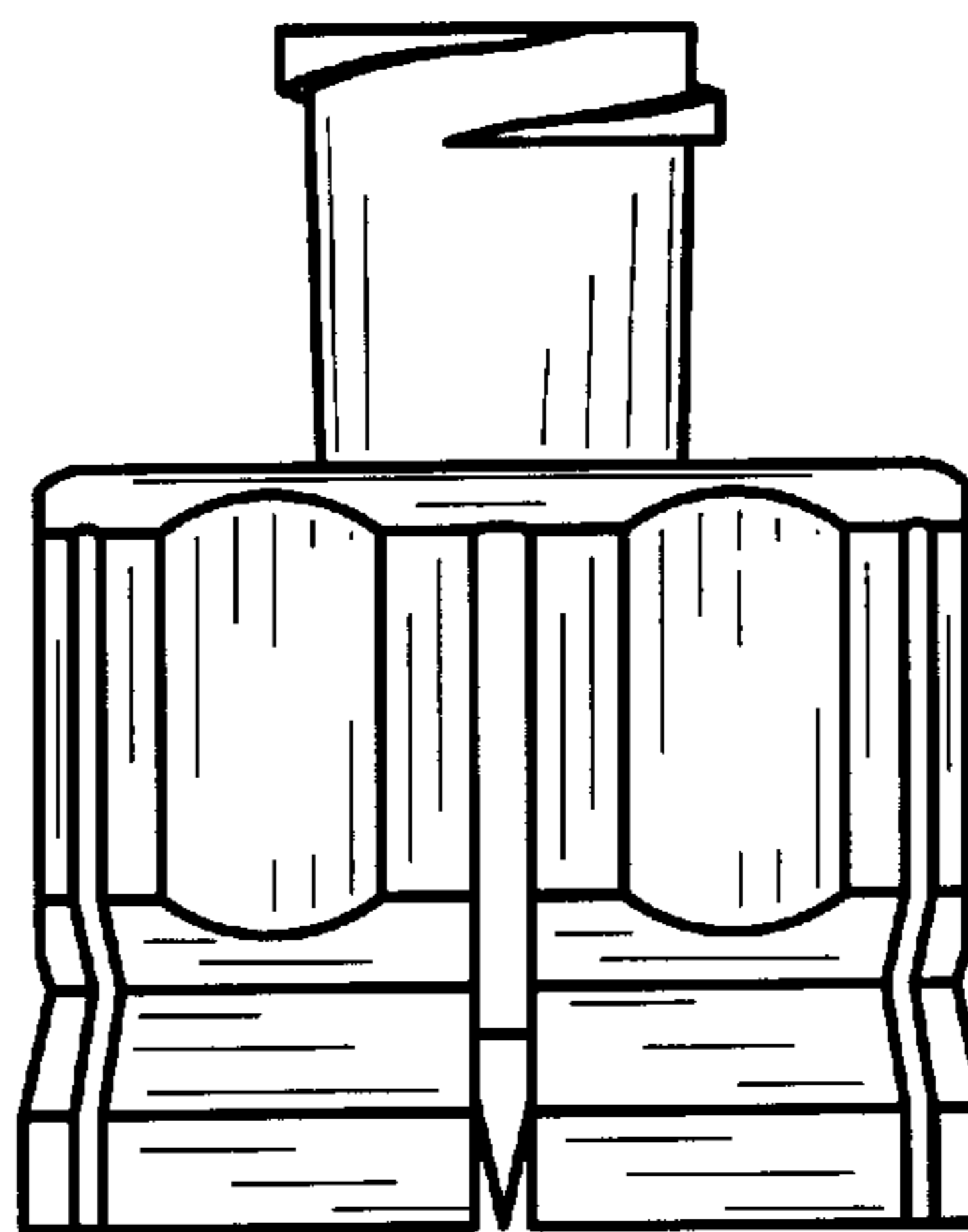


FIG. 10
FRONT VIEW

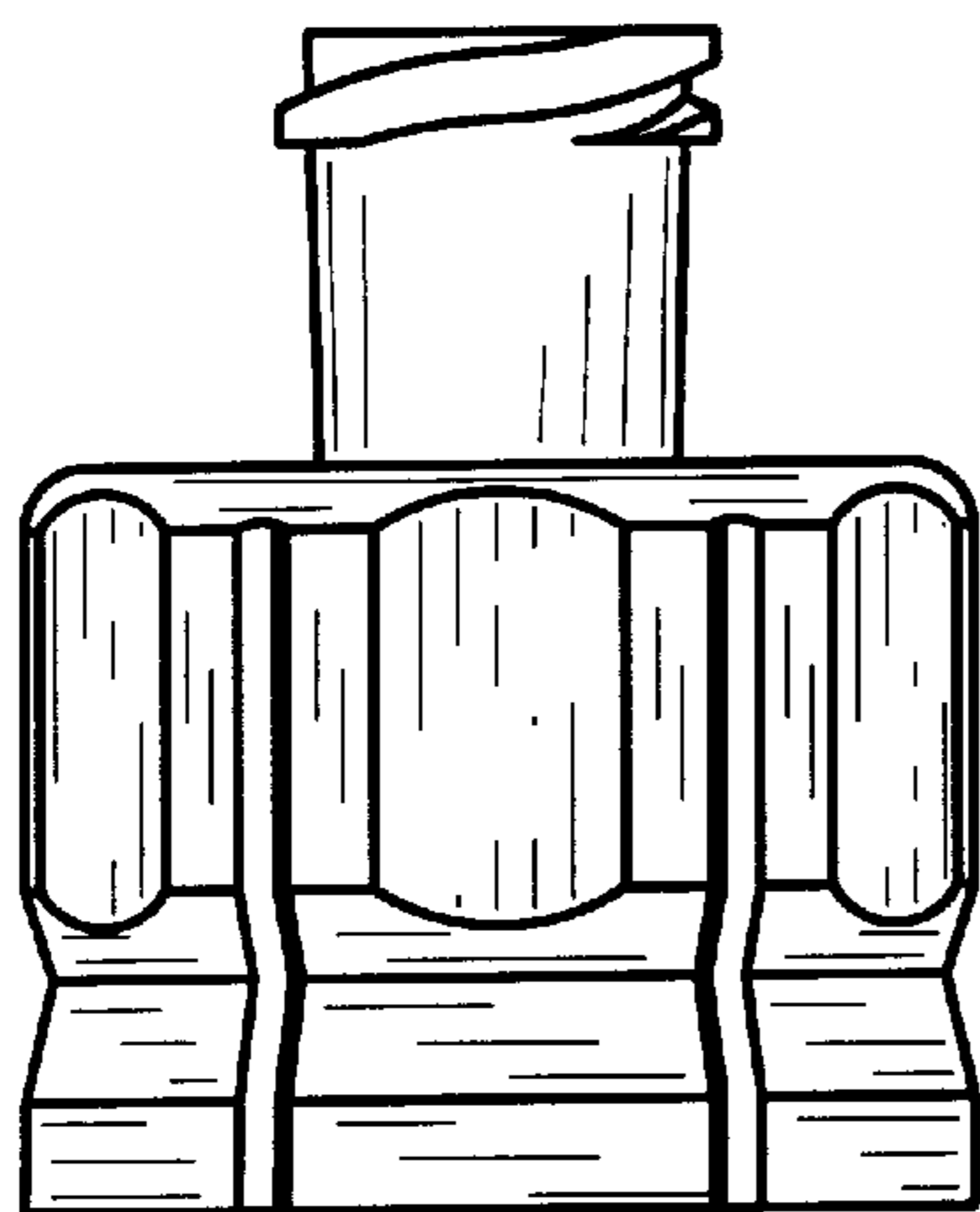


FIG. 11
LEFT SIDE VIEW

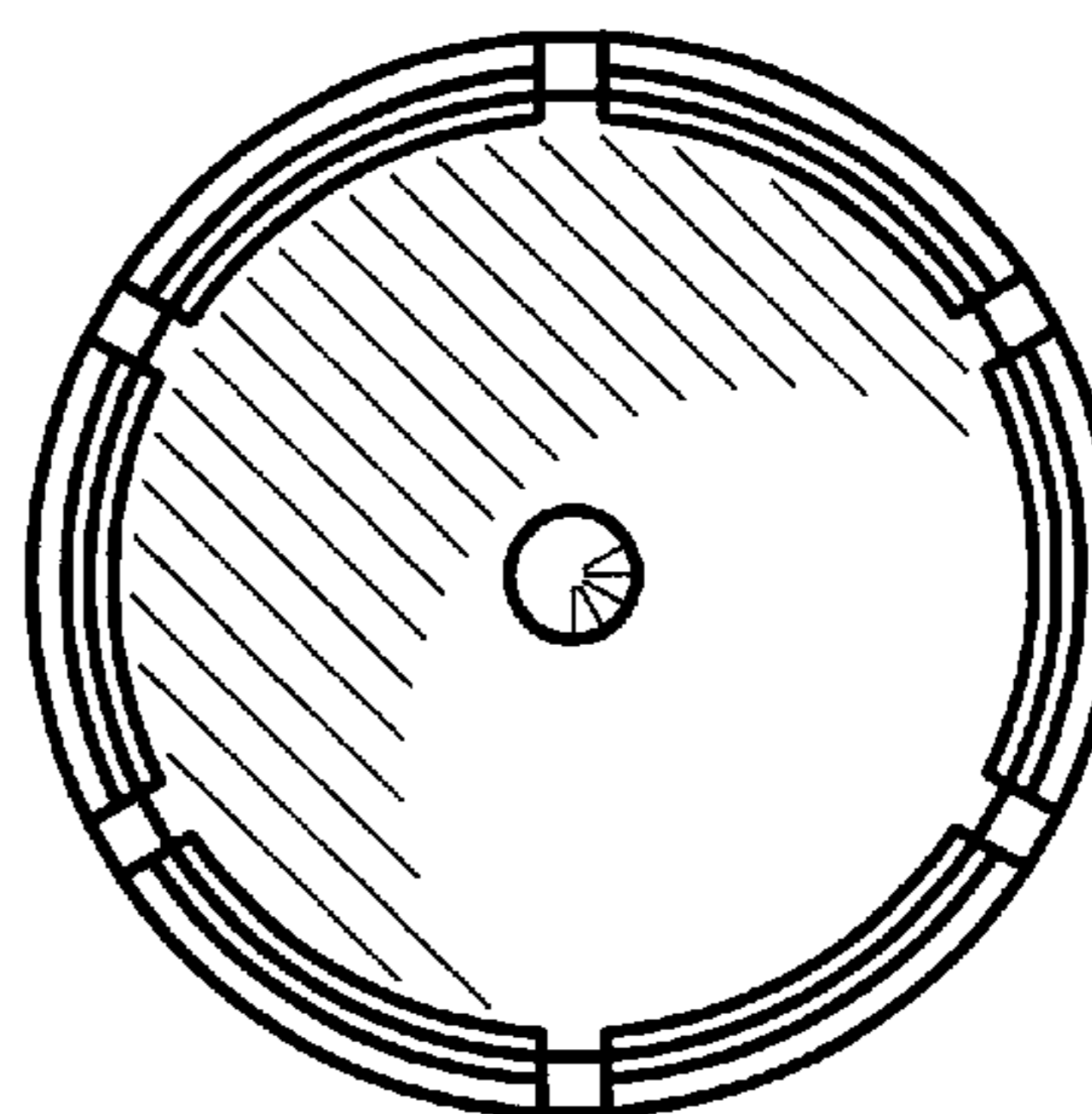


FIG. 12
BOTTOM VIEW