



US00D427306S

United States Patent [19]
McCallister et al.

[11] **Patent Number: Des. 427,306**
[45] **Date of Patent: ** Jun. 27, 2000**

[54] **COMBINED BOTTLE AND CLOSURE**

4,951,845 8/1990 Pezzoli et al. 215/250
5,041,105 8/1991 D'Alo et al. 604/411
5,123,554 6/1992 Arvidson 215/12.2

[75] Inventors: **Patrick Edward McCallister**,
Columbus; **Richard Peter Macauley**,
Westerville, both of Ohio; **Jay Andrew
Smithberger**, Evanston, Ill.; **Thomas
Walter Osip**, Dublin; **Joseph Michael
Lippian**, Worthington, both of Ohio

Primary Examiner—Stella Reid
Assistant Examiner—I Simmons
Attorney, Agent, or Firm—Brian R. Woodworth; Daniel J.
Hulseberg

[73] Assignee: **Abbott Laboratories**, Abbott Park, Ill.

[57] **CLAIM**

[**] Term: **14 Years**

The ornamental design for a combined bottle and closure, as shown and described.

[21] Appl. No.: **29/042,035**

DESCRIPTION

[22] Filed: **Jul. 10, 1995**

Related U.S. Application Data

[62] Division of application No. 29/026,133, Jul. 20, 1994, Pat. No. Des. 374,481.

FIG. 1 is a perspective view of a first embodiment of a combined bottle and closure showing our new design; FIG. 2 is another perspective view thereof from the opposite direction of that shown in FIG. 1; FIG. 3 is a front elevation thereof; FIG. 4 is a rear elevation thereof; FIG. 5 is a top view thereof; FIG. 6 is a bottom view thereof; FIG. 7 is a first side elevation thereof; and FIG. 8 is a second side elevation thereof for the side opposite that shown in FIG. 7.

[51] **LOC (7) Cl.** **24-04**

[52] **U.S. Cl.** **D24/121; D9/520; D24/224**

[58] **Field of Search** D24/121, 118, D24/224, 227; D9/520, 570, 573, 453, 454, 445, 447; 215/339, 382, 383, 396, 398, 400; 604/403, 411, 405

FIG. 9 is a perspective view of a second embodiment of a combined bottle and closure showing our new design; FIG. 10 is another perspective view thereof from the opposite direction of that shown in FIG. 9;

[56] **References Cited**

U.S. PATENT DOCUMENTS

D. 288,293	2/1987	Arvans	D9/370
D. 289,975	5/1987	Wendt	D9/401
D. 303,496	9/1989	Larson	D9/367
D. 304,805	11/1989	Mednis	D9/341
D. 313,177	12/1990	Larson	D9/370
D. 316,965	5/1991	Arvidson	D9/370
D. 330,332	10/1992	Pezzoli et al.	D9/435
3,096,913	7/1963	Corley	222/183
3,171,412	3/1965	Braun	123/272
3,325,031	6/1967	Singier	215/37
3,384,258	5/1968	Singier	215/100
3,537,498	11/1970	St. Amand	150/0.5
3,581,928	6/1971	St. Amand	215/100 A
3,926,341	12/1975	Lhoest	222/92
4,013,187	3/1977	Betka	215/100
4,747,519	5/1988	Green et al.	222/181
4,934,545	6/1990	Pezzoli et al.	215/250

FIG. 11 is a front elevation thereof; FIG. 12 is a rear elevation thereof; FIG. 13 is a top view thereof; FIG. 14 is a bottom view thereof; FIG. 15 is a first side elevation thereof; and FIG. 16 is a second side elevation thereof for the side opposite that shown in FIG. 15. FIG. 17 is a perspective view of a third embodiment of a combined bottle and closure showing our new design; FIG. 18 is another perspective view thereof, from the opposite direction of that shown in FIG. 17; FIG. 19 is a front elevation thereof; FIG. 20 is a rear elevation thereof; FIG. 21 is a top view thereof; FIG. 22 is a bottom view thereof; and FIG. 23 is a side elevation thereof, the opposite side elevation being the same.

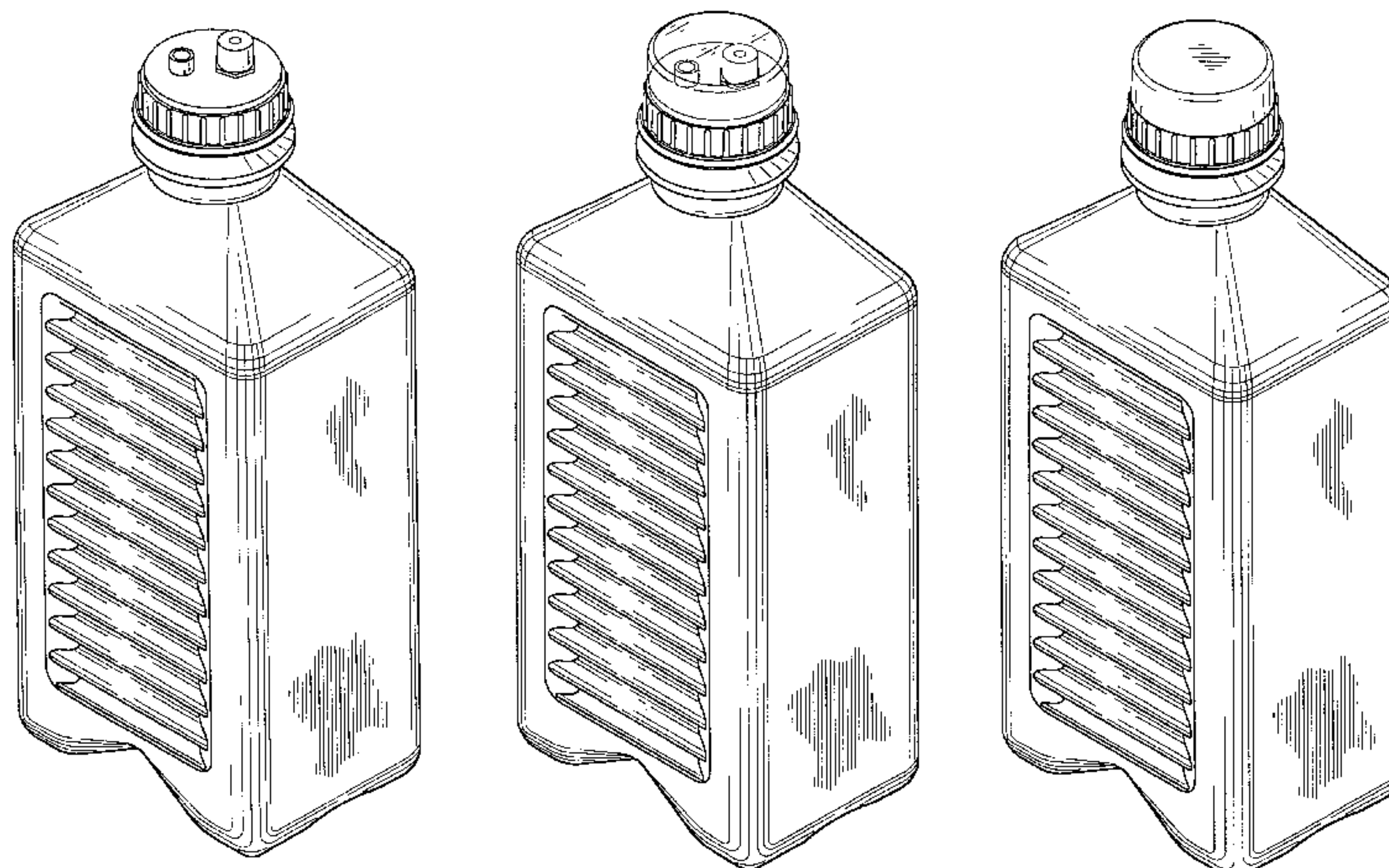


FIG. 24 is a perspective view of a fourth embodiment of a combined bottle and closure showing our new design;
FIG. 25 is another perspective view thereof from the opposite direction of that shown in FIG. 24;
FIG. 26 is a front elevation thereof;
FIG. 27 is a rear elevation thereof;
FIG. 28 is a top view thereof;
FIG. 29 is a bottom view thereof;
FIG. 30 is a first side elevation thereof; and
FIG. 31 is a second side elevation thereof for the side opposite that shown in FIG. 30.
FIG. 32 is a perspective view of a fifth embodiment of a combined bottle and closure showing our new design;
FIG. 33 is another perspective view thereof from the opposite direction of that shown in FIG. 32.
FIG. 34 is a front elevation thereof;
FIG. 35 is a rear elevation thereof;

FIG. 36 is a top view thereof;
FIG. 37 is a bottom view thereof;
FIG. 38 is a first side elevation thereof; and
FIG. 39 is a second side elevation thereof for the side opposite that shown in FIG. 38.
FIG. 40 is a perspective view of a sixth embodiment of a combined bottle and closure showing our new design;
FIG. 41 is another perspective view thereof, from the opposite direction of that shown in FIG. 40;
FIG. 42 is a front elevation thereof;
FIG. 43 is a rear elevation thereof;
FIG. 44 is a top view thereof;
FIG. 45 is a bottom view thereof; and,
FIG. 46 is a side elevation thereof, the opposite side elevation being the same.

1 Claim, 24 Drawing Sheets

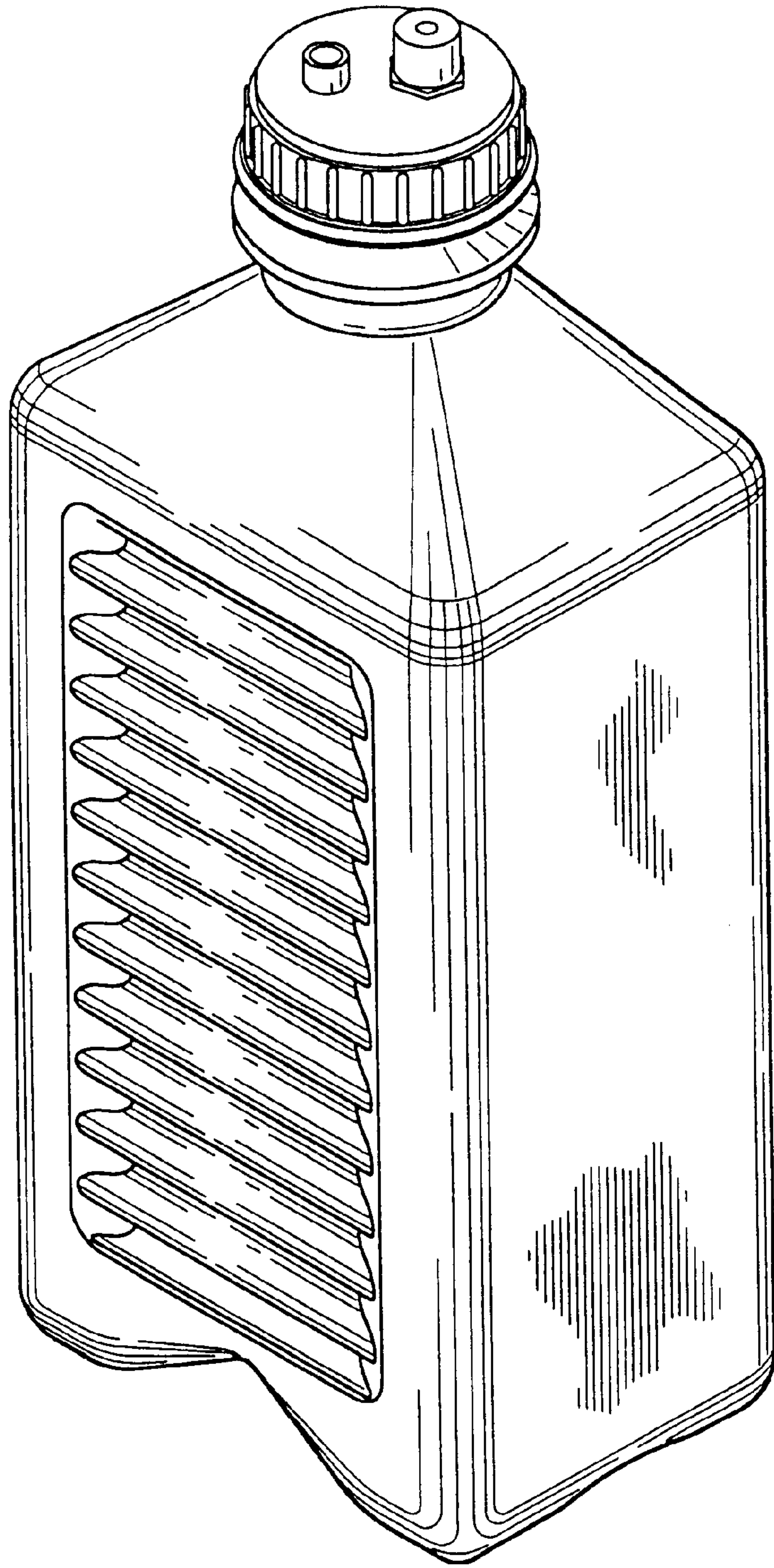


FIG. 1

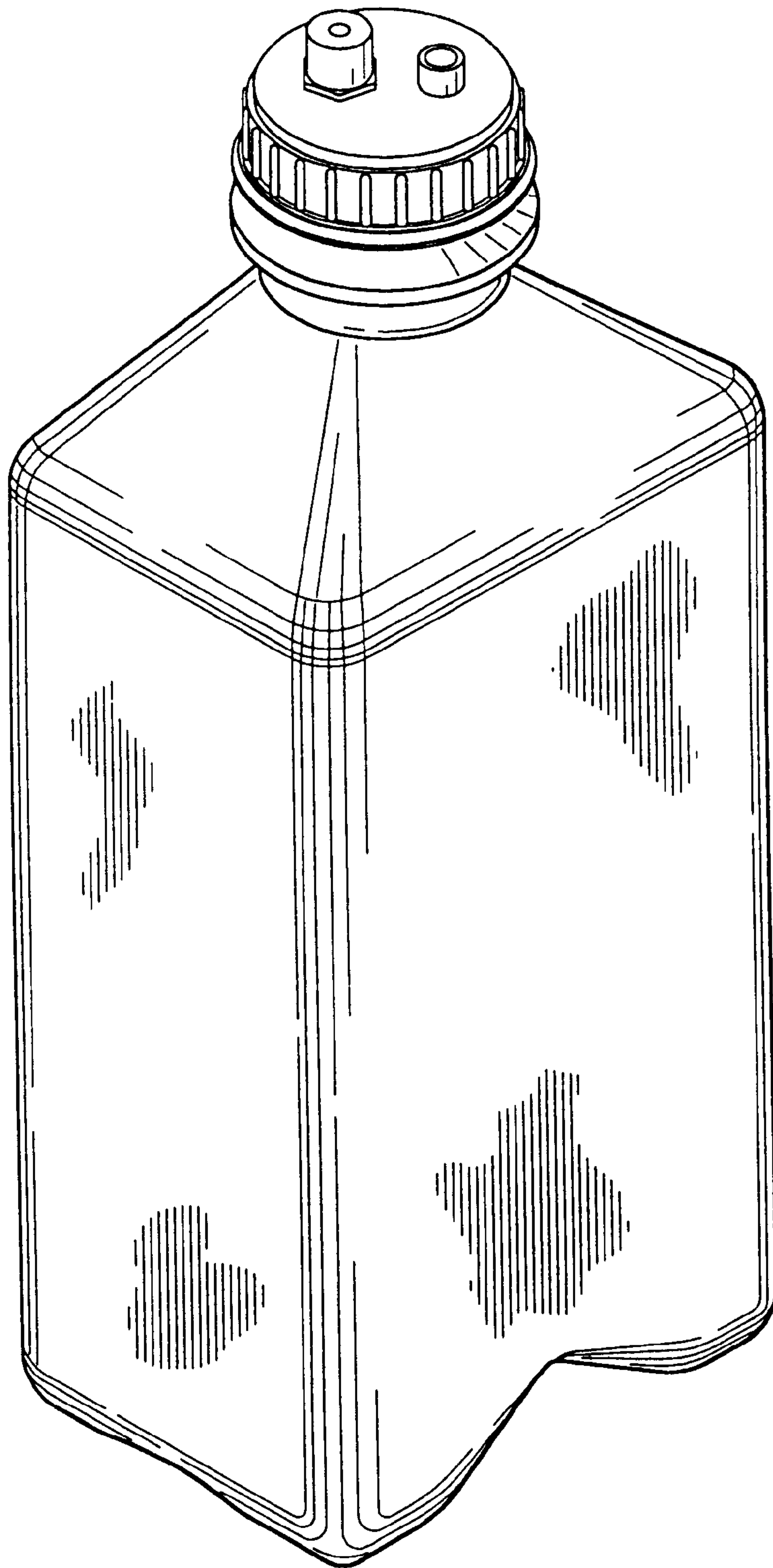


FIG. 2

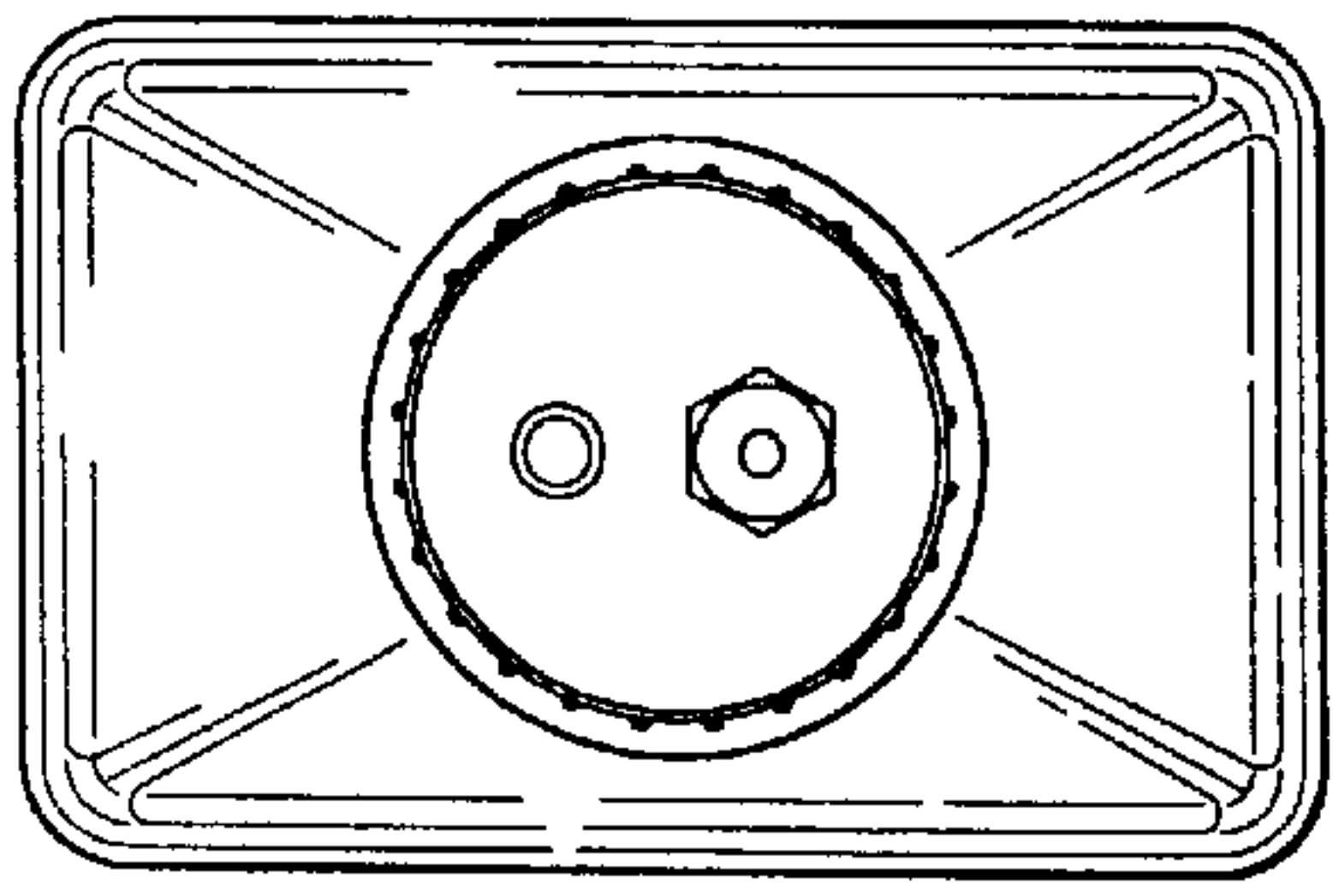


FIG. 5

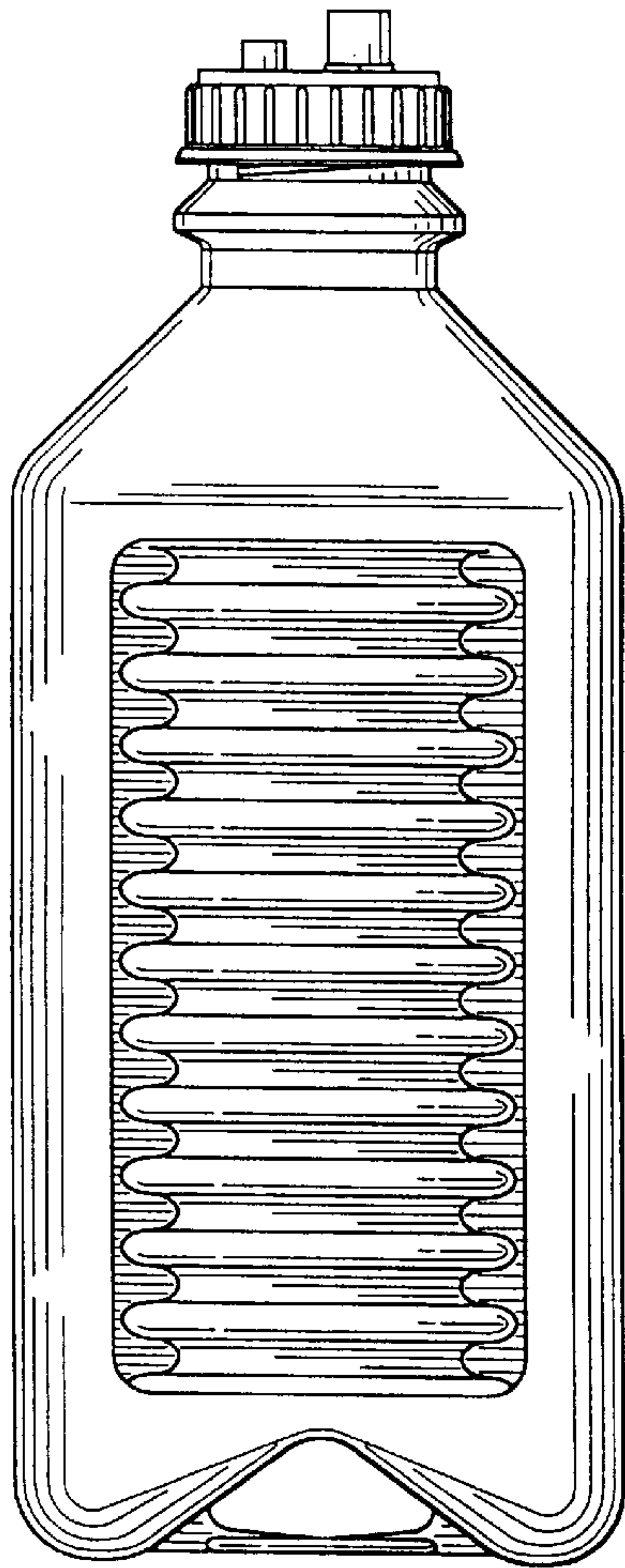


FIG. 3

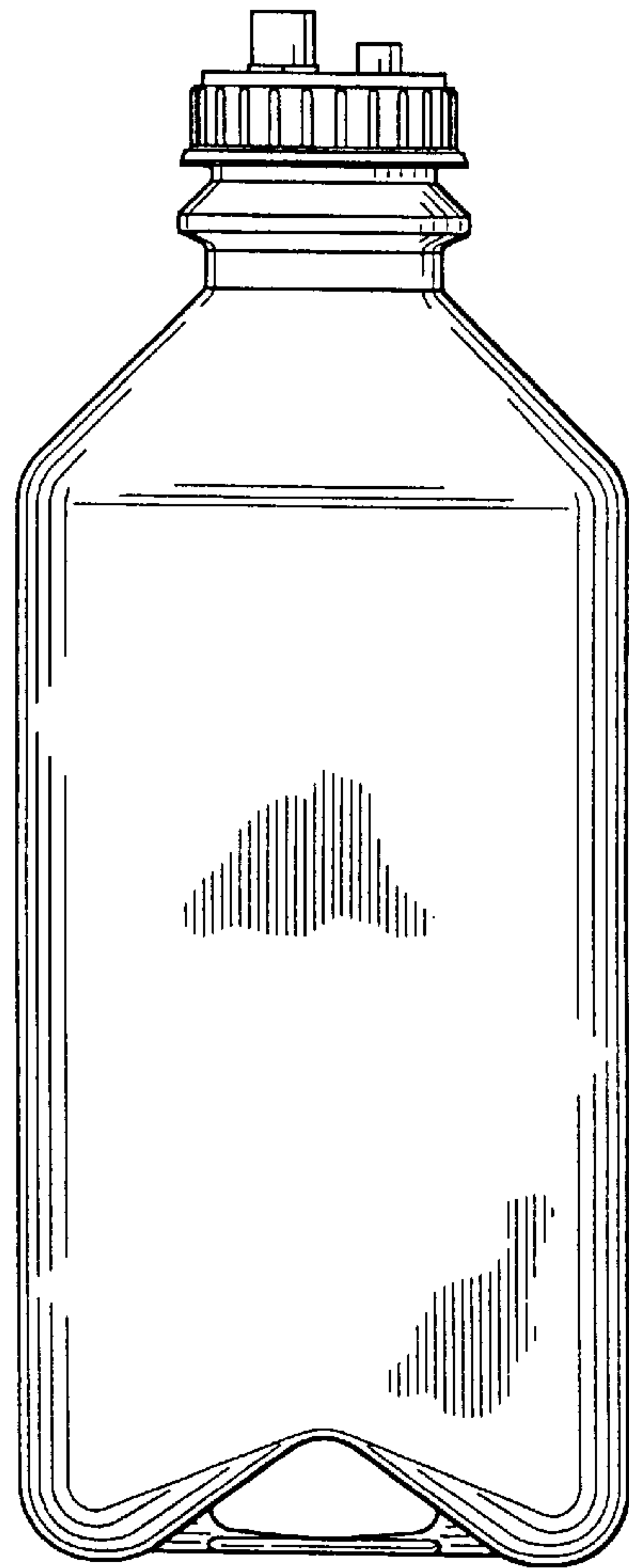


FIG. 4

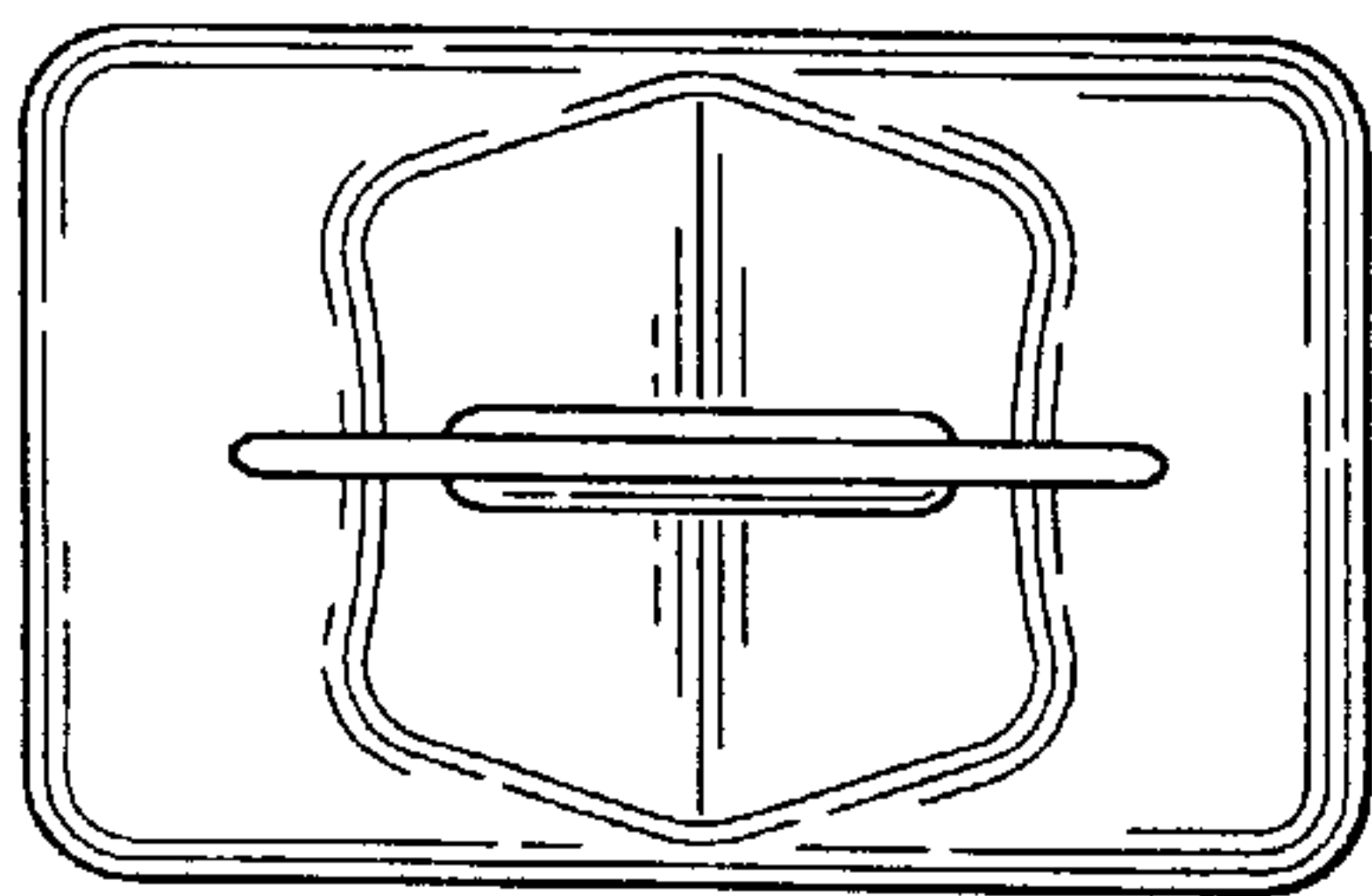


FIG. 6

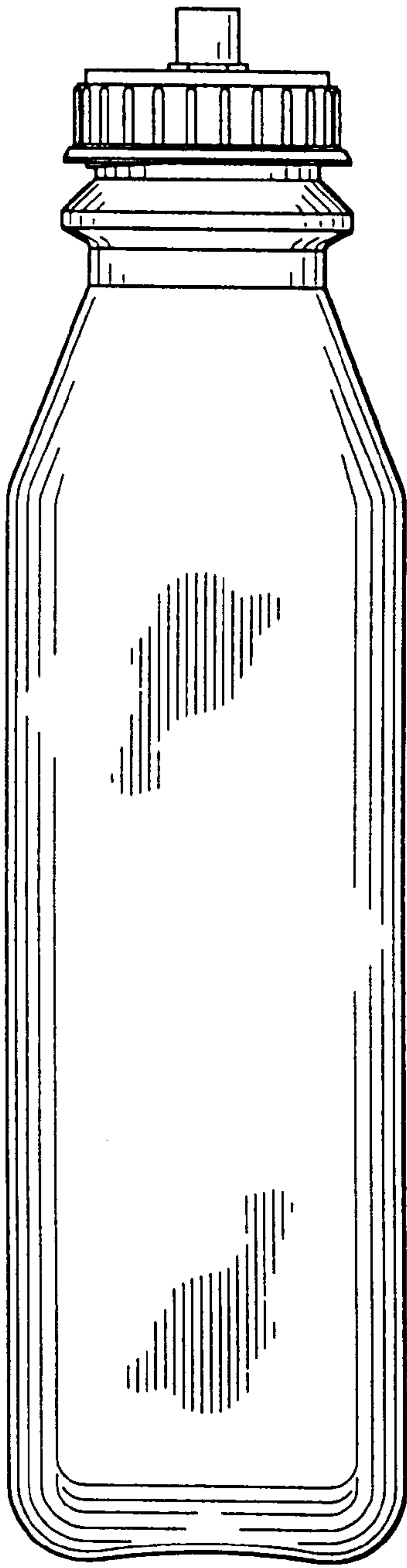


FIG. 7

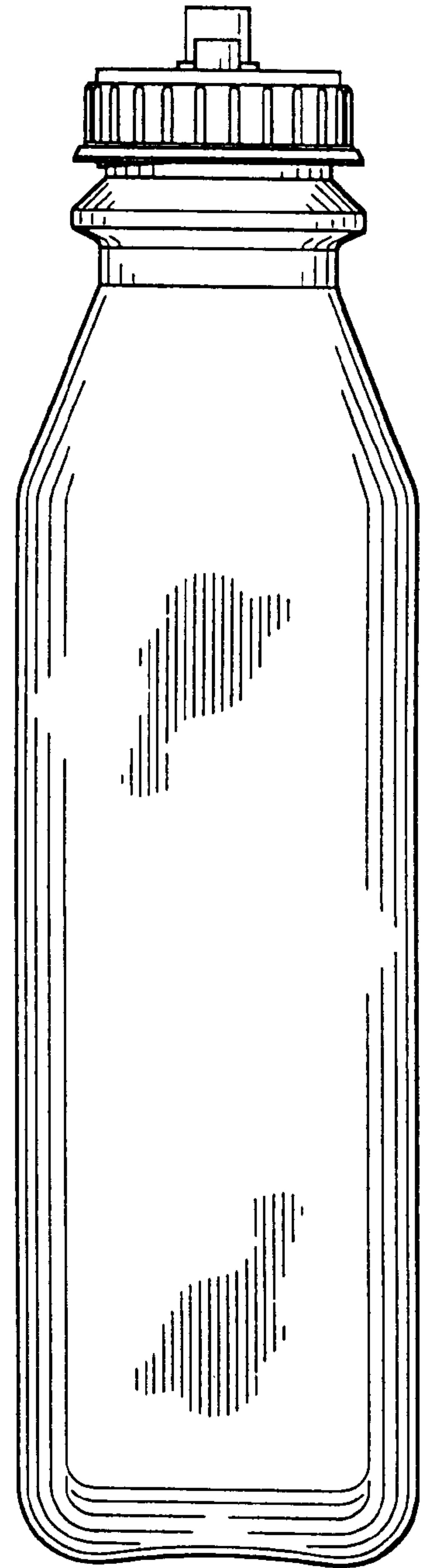


FIG. 8

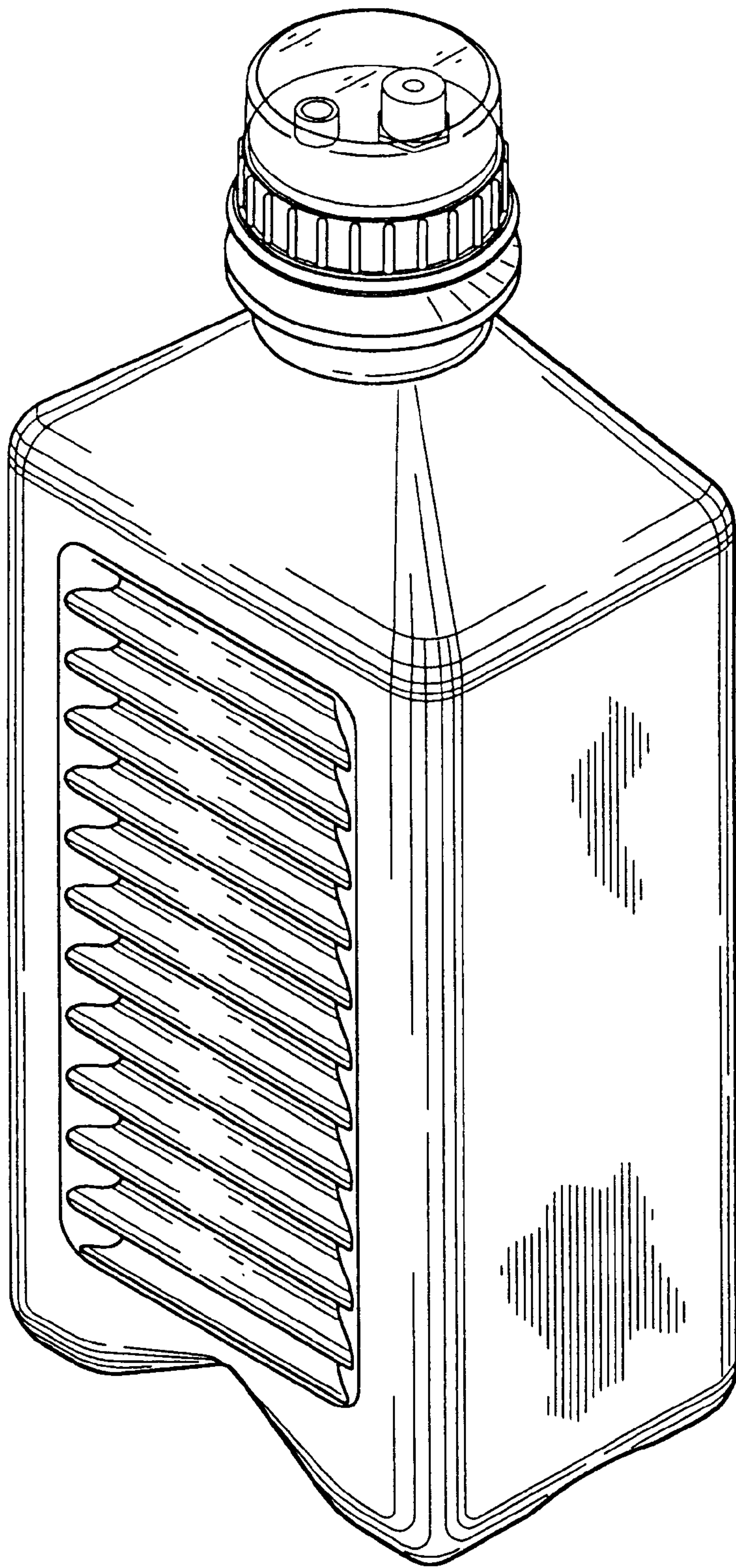


FIG. 9

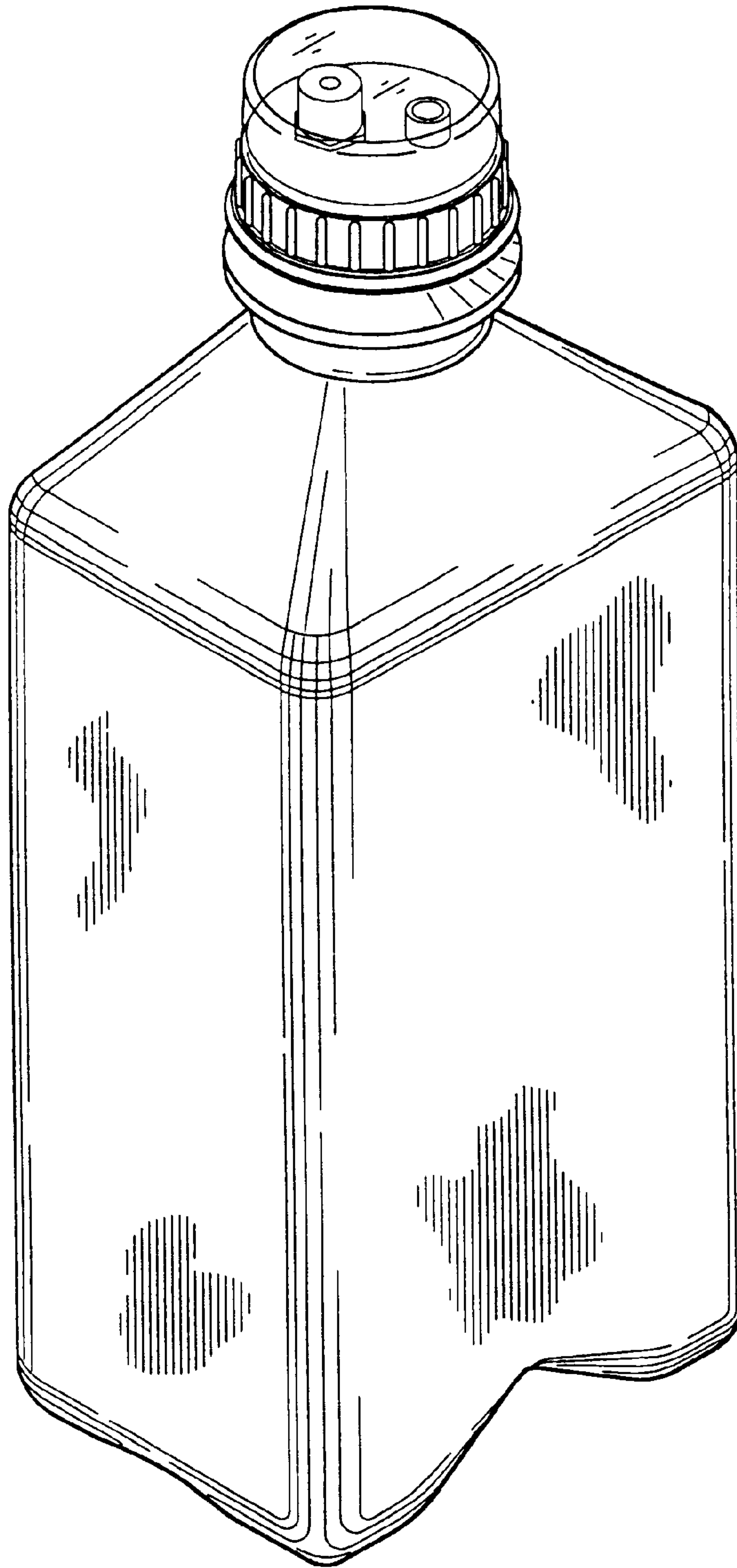


FIG. 10

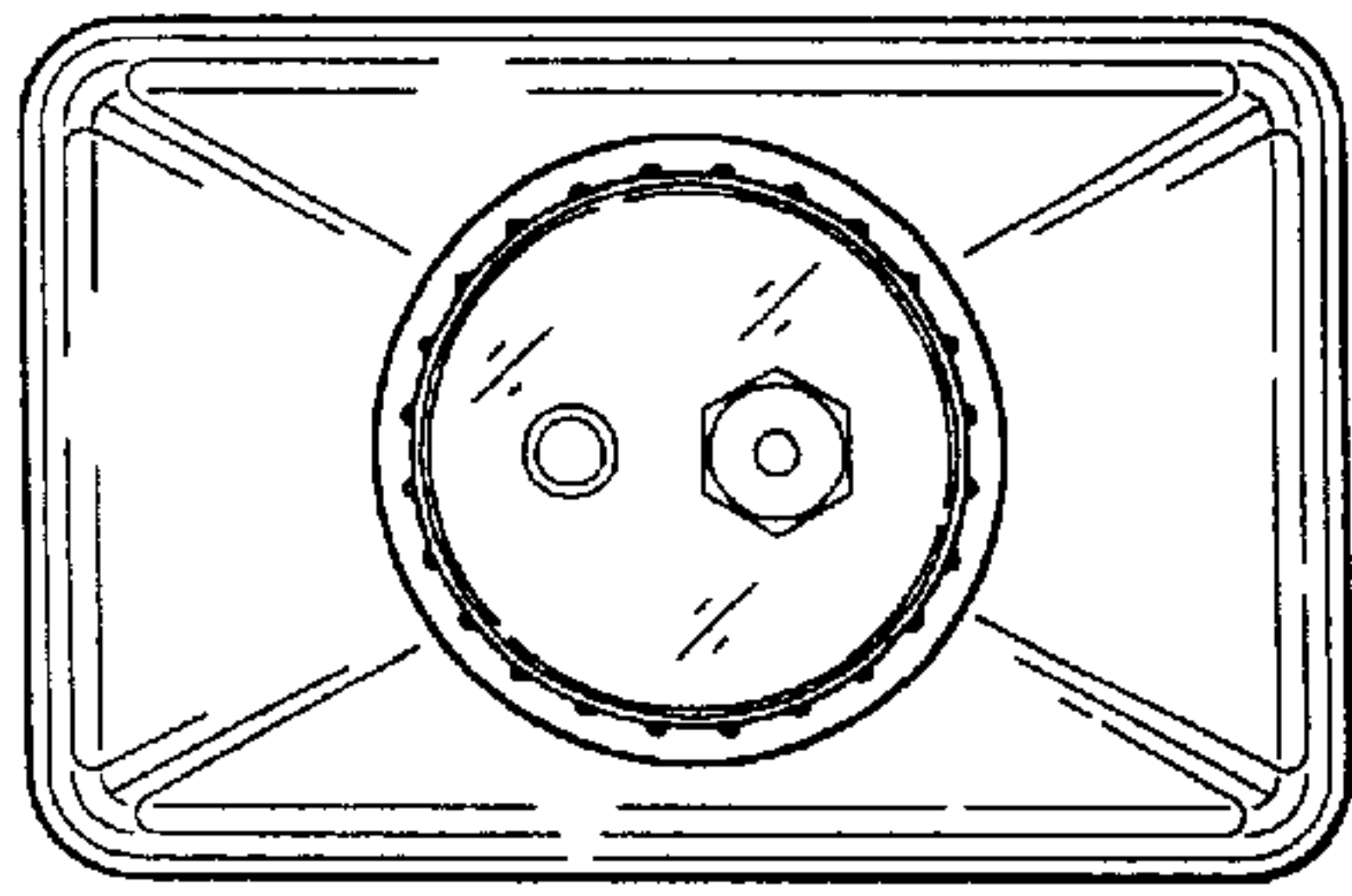


FIG. 13

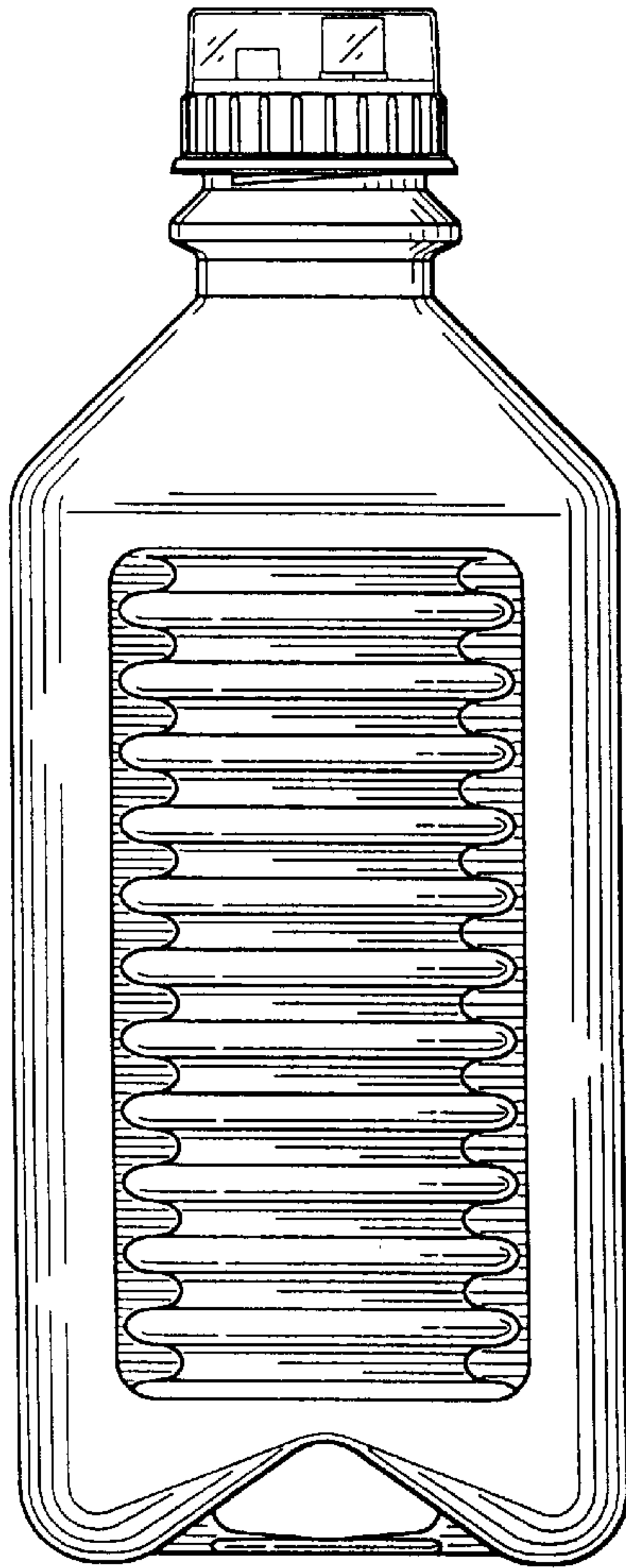


FIG. 11

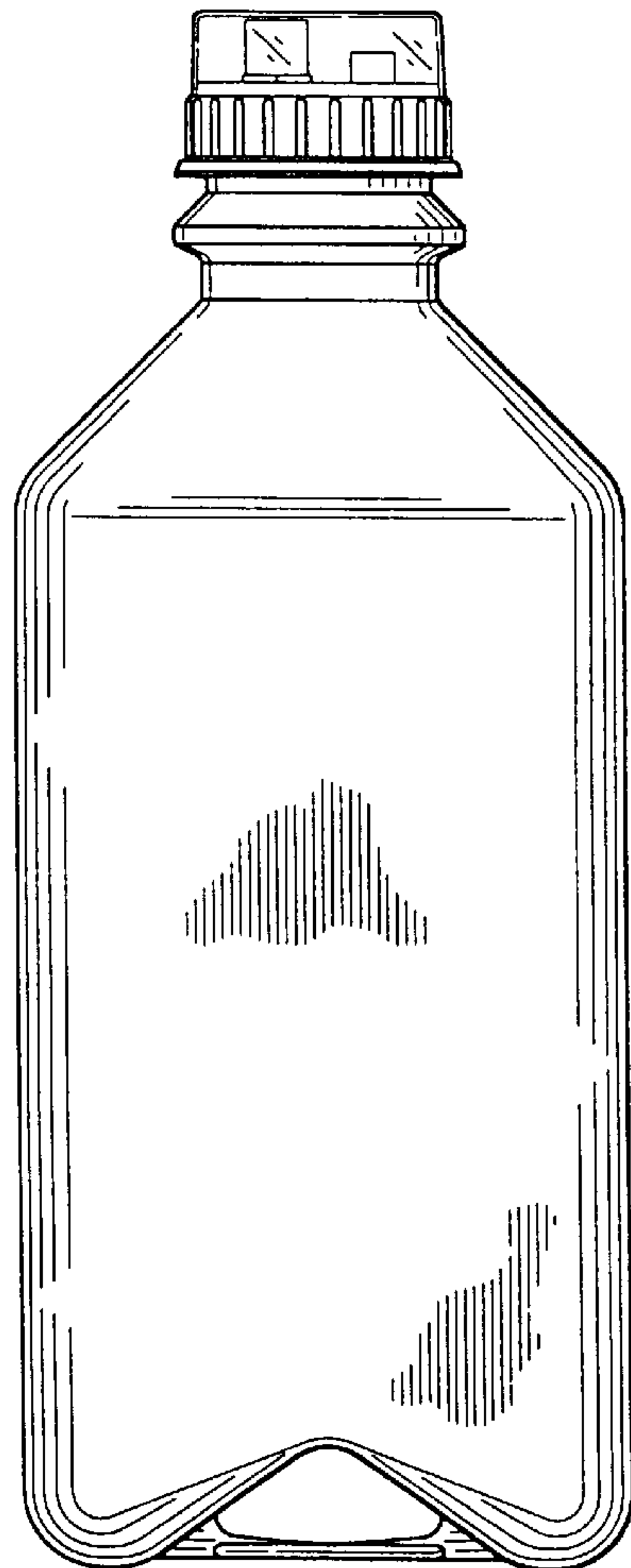


FIG. 12

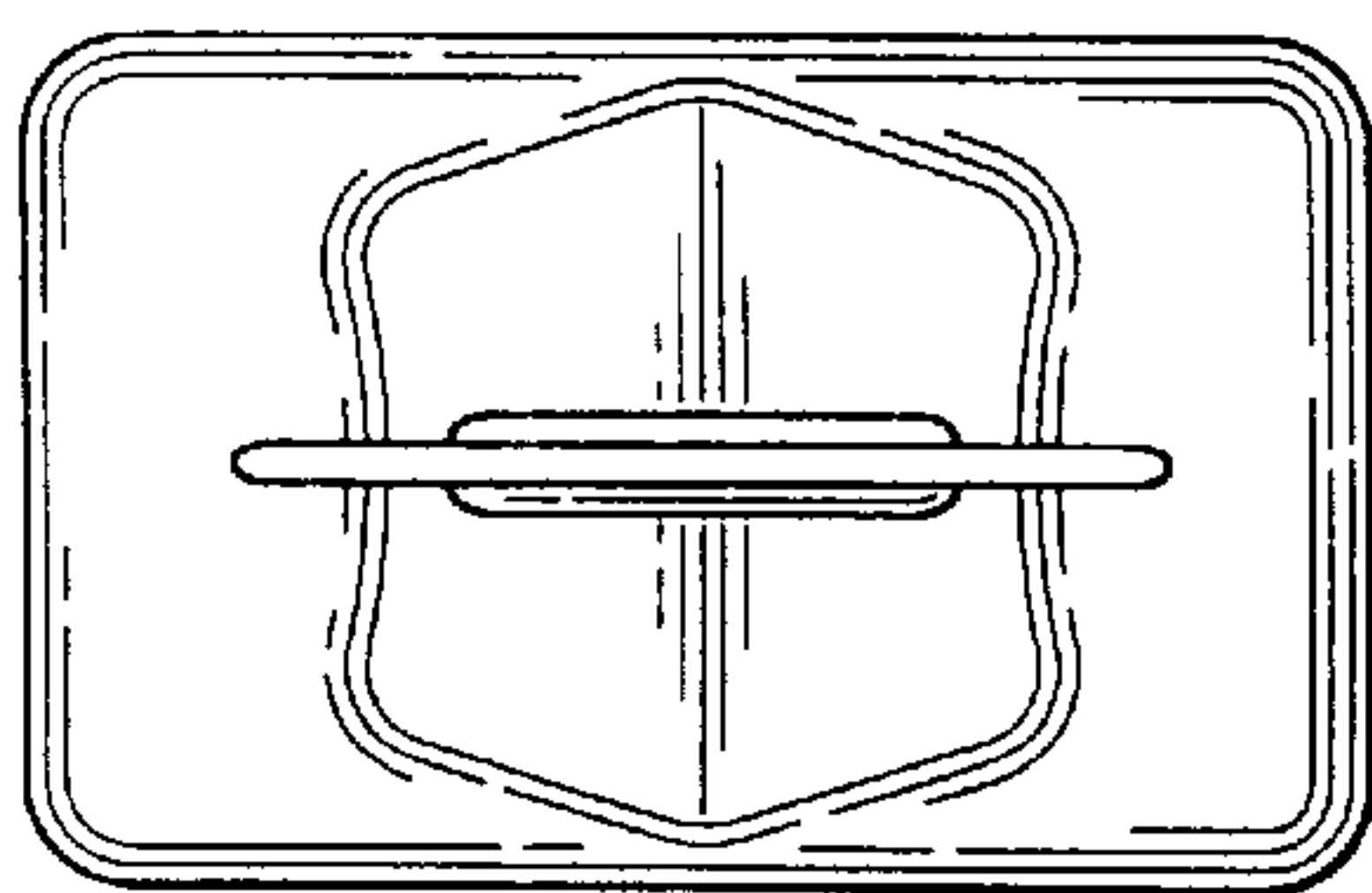


FIG. 14

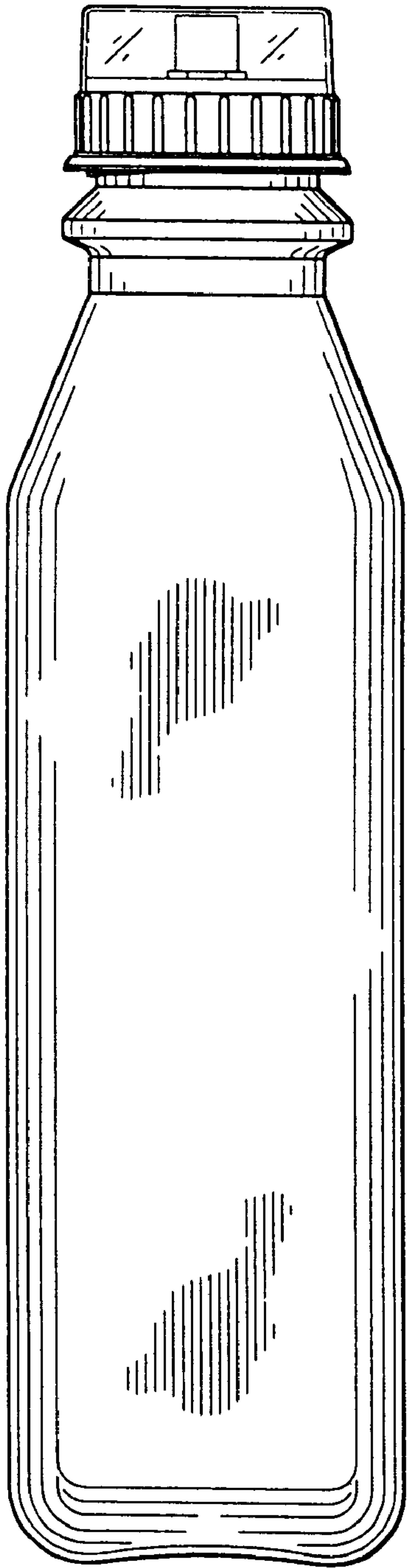


FIG. 15

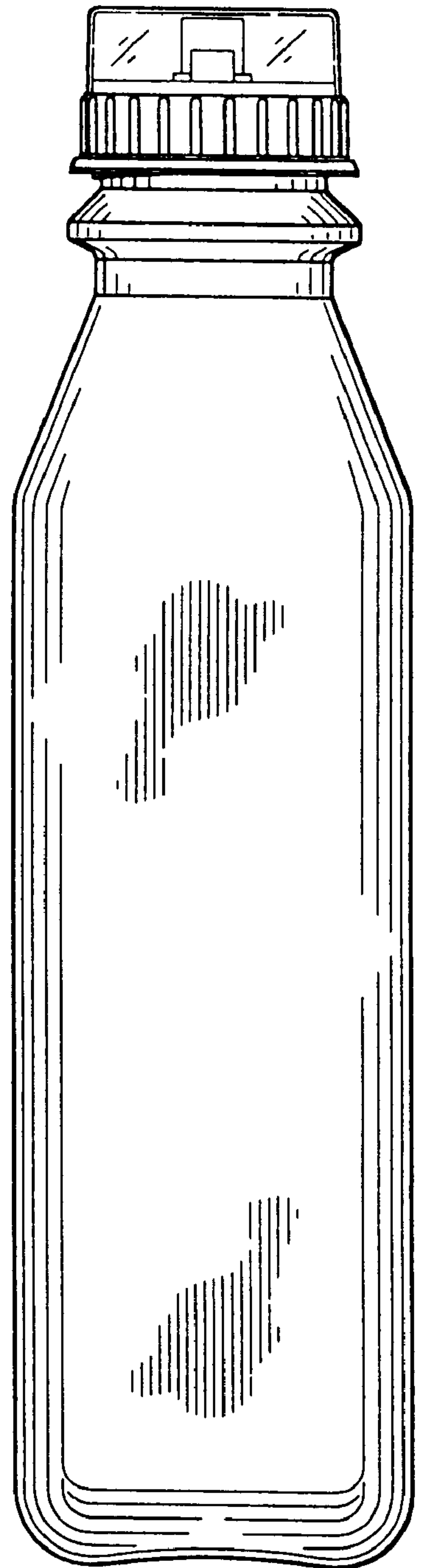


FIG. 16

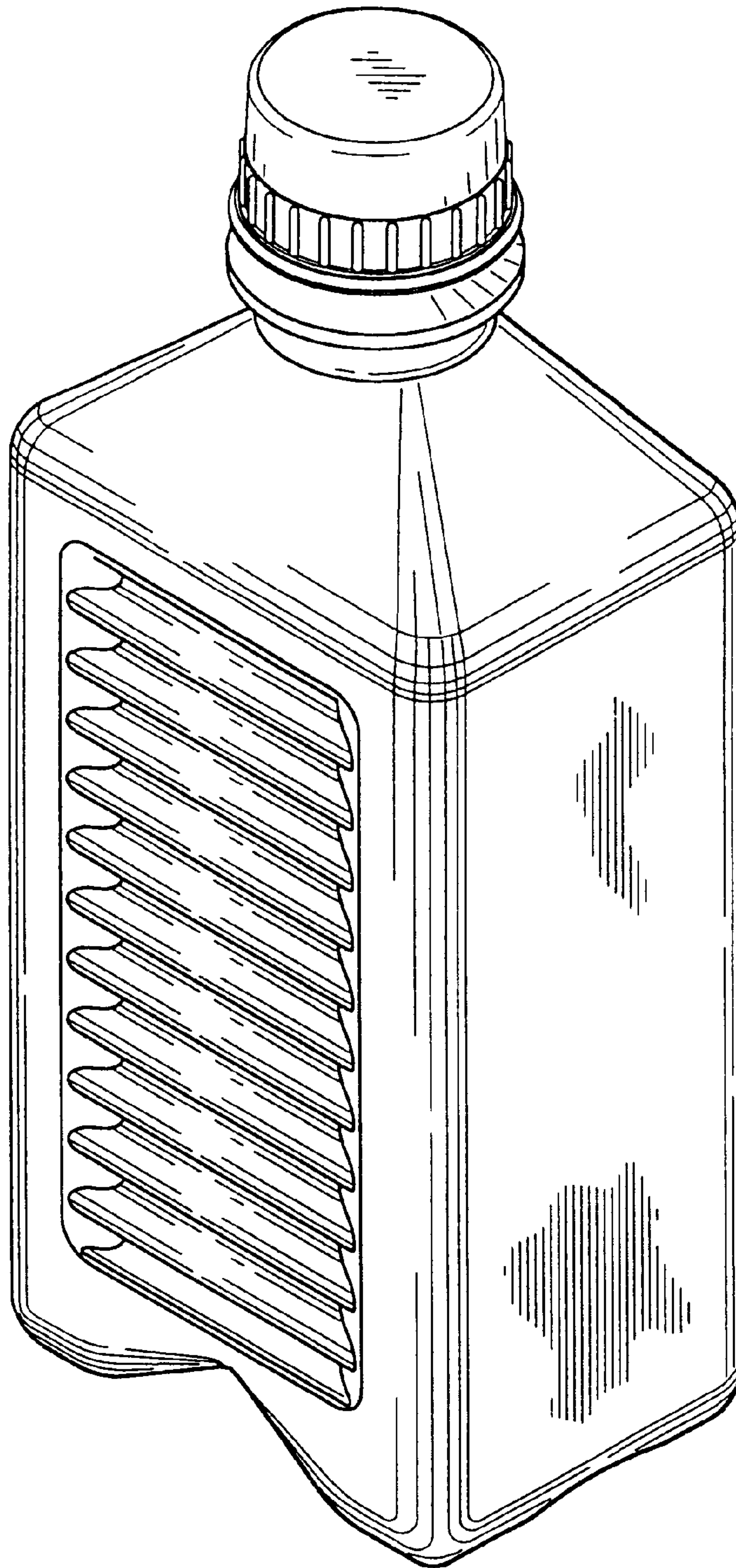


FIG. 17

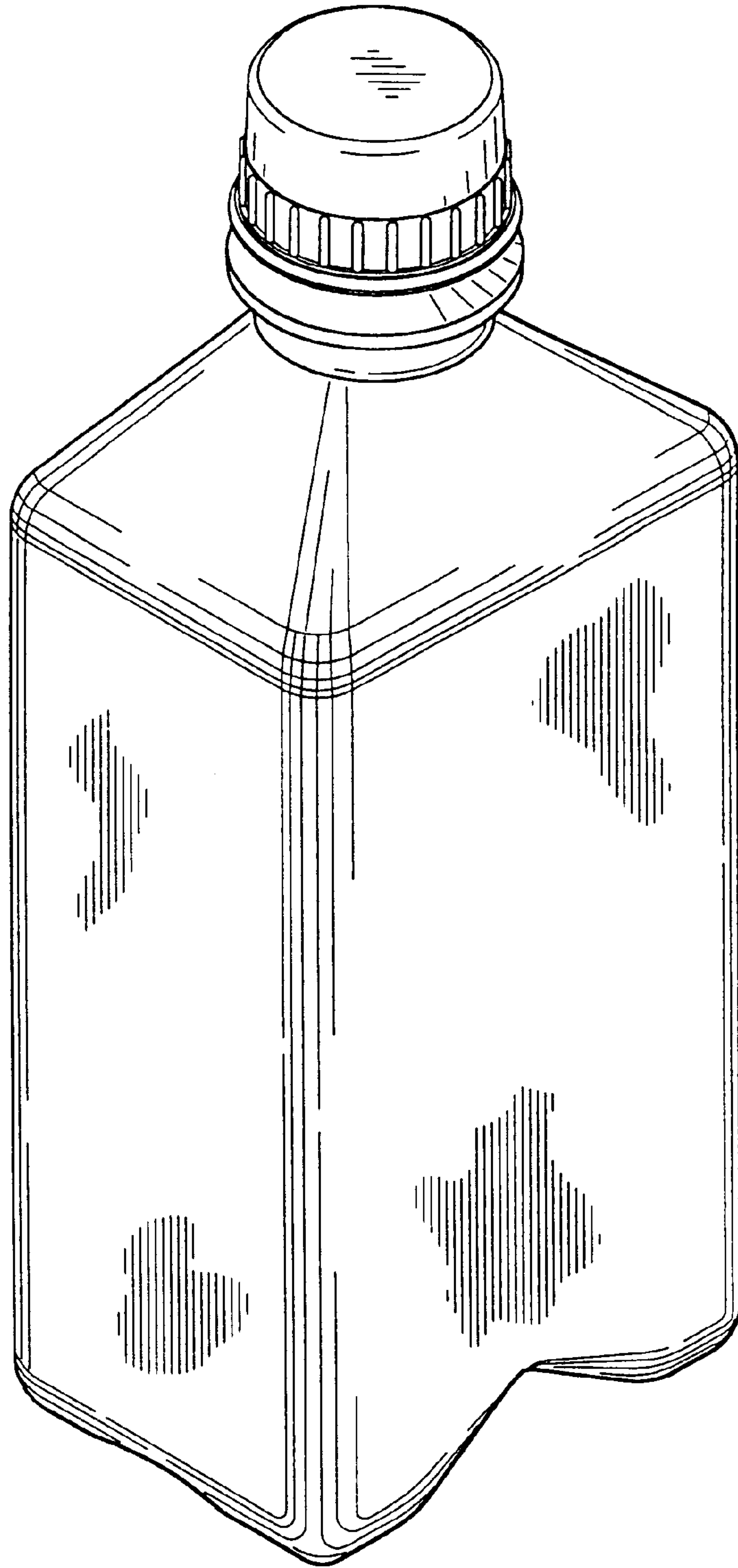


FIG. 18

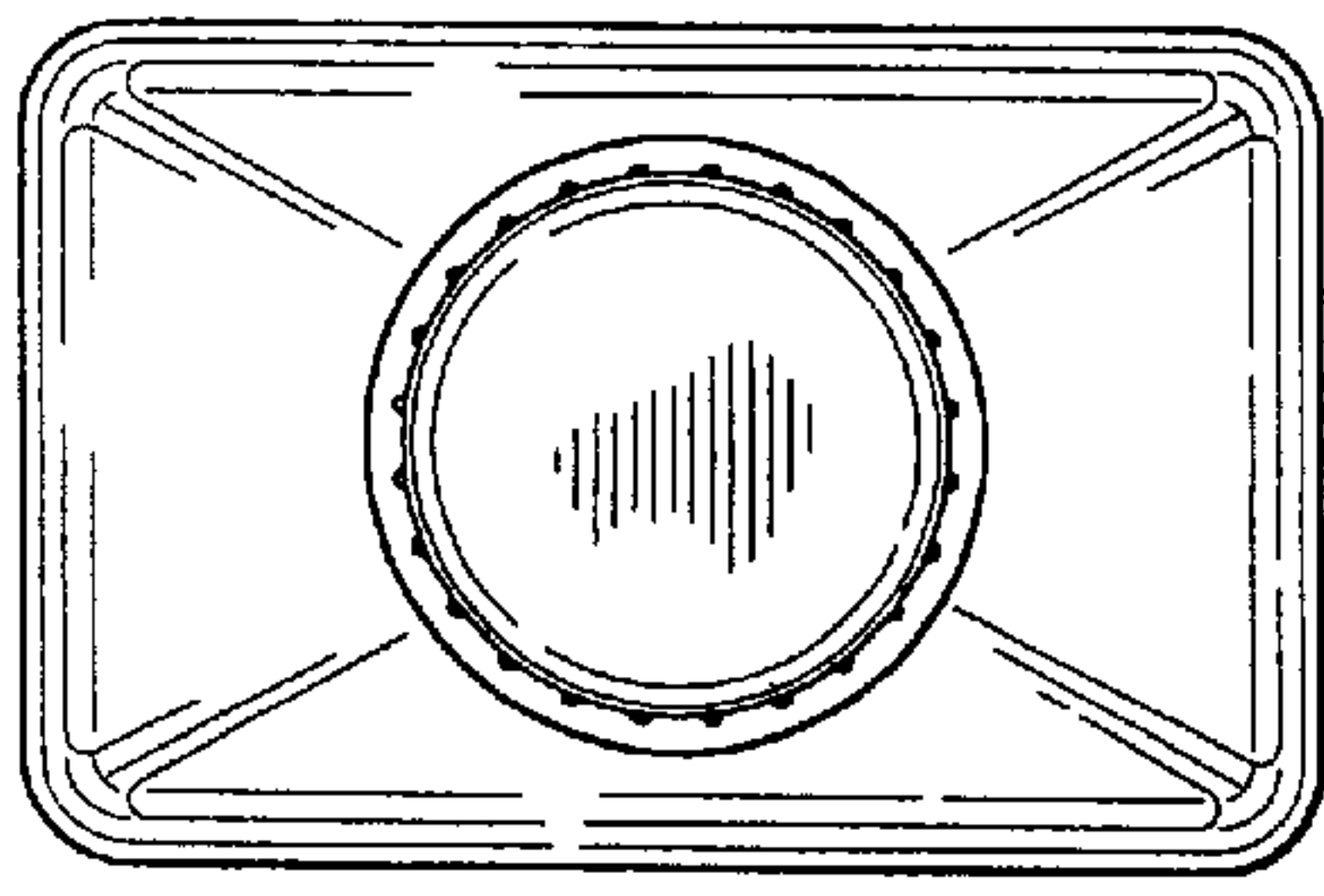


FIG. 21

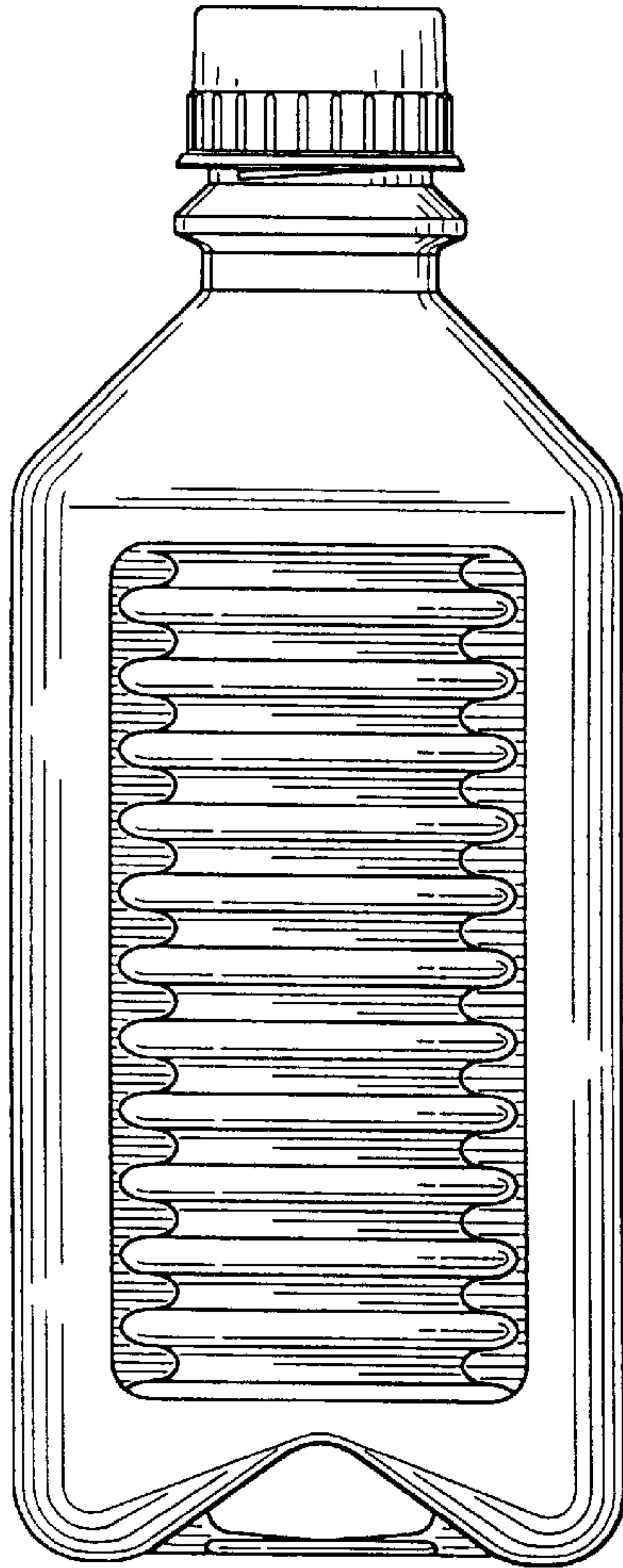


FIG. 19

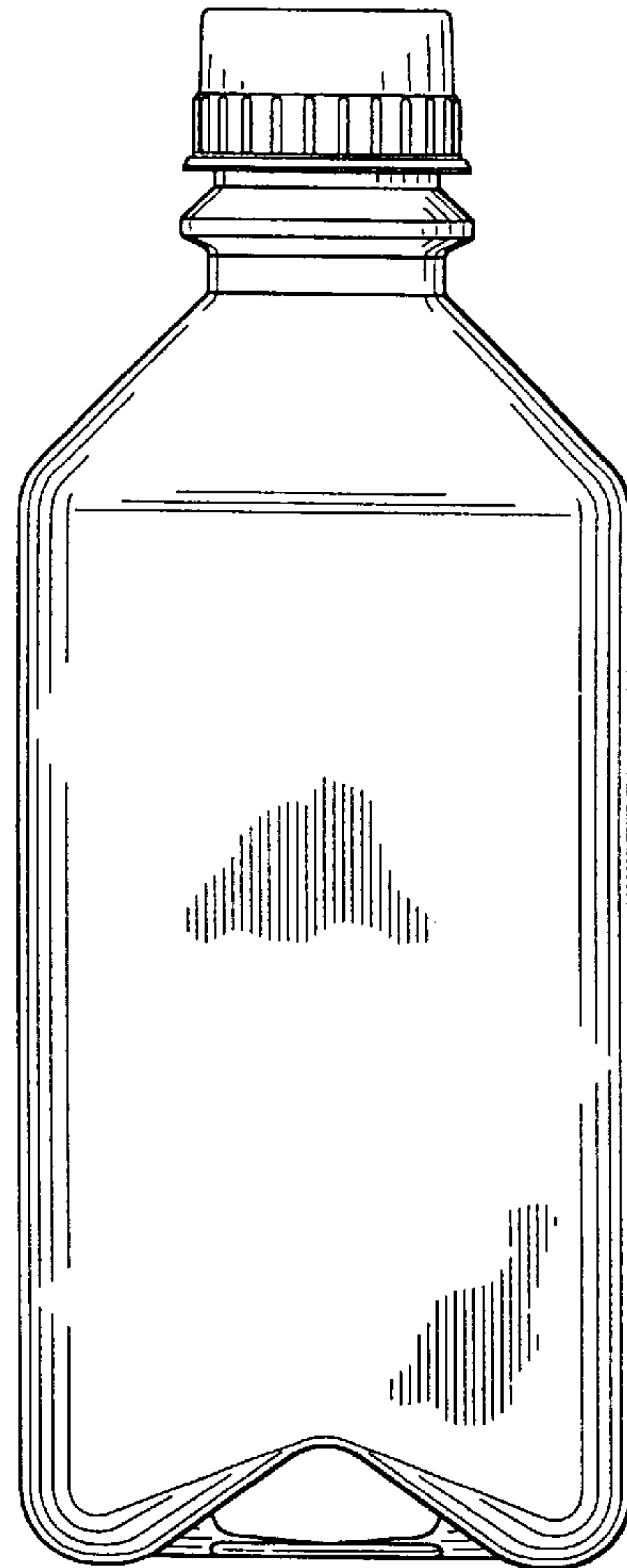


FIG. 20

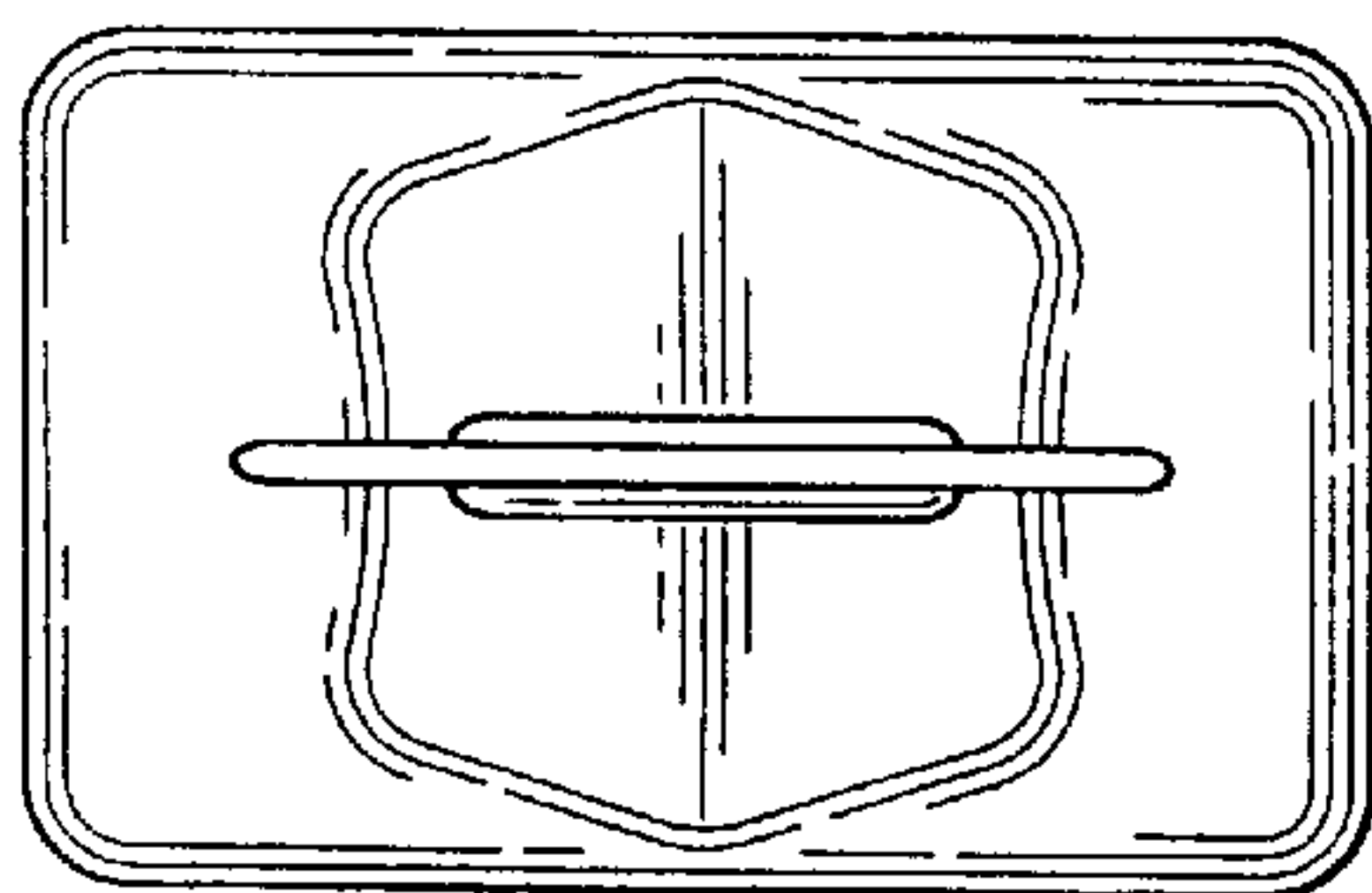


FIG. 22

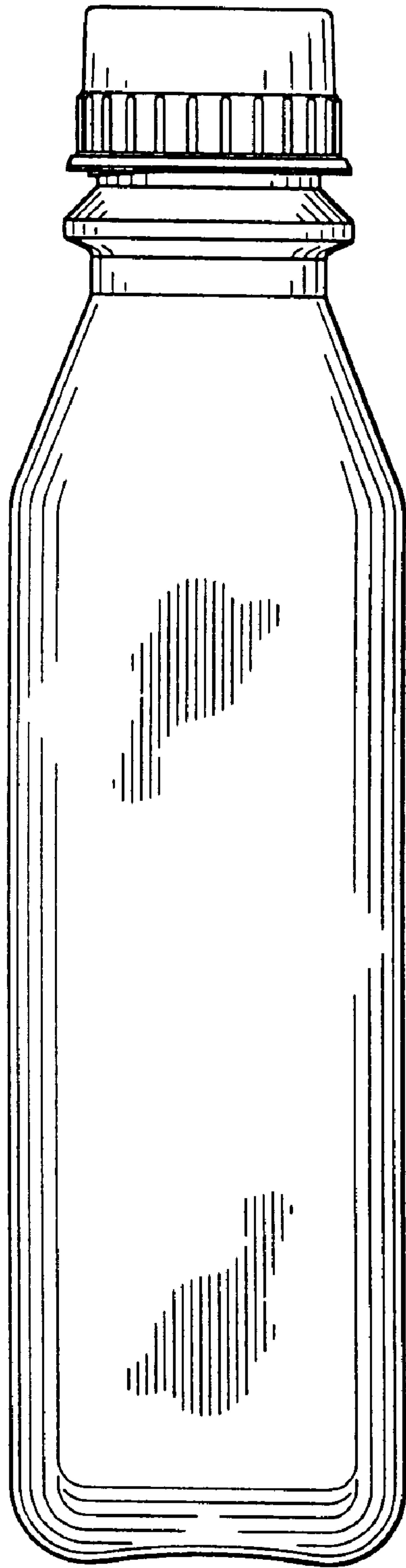


FIG. 23

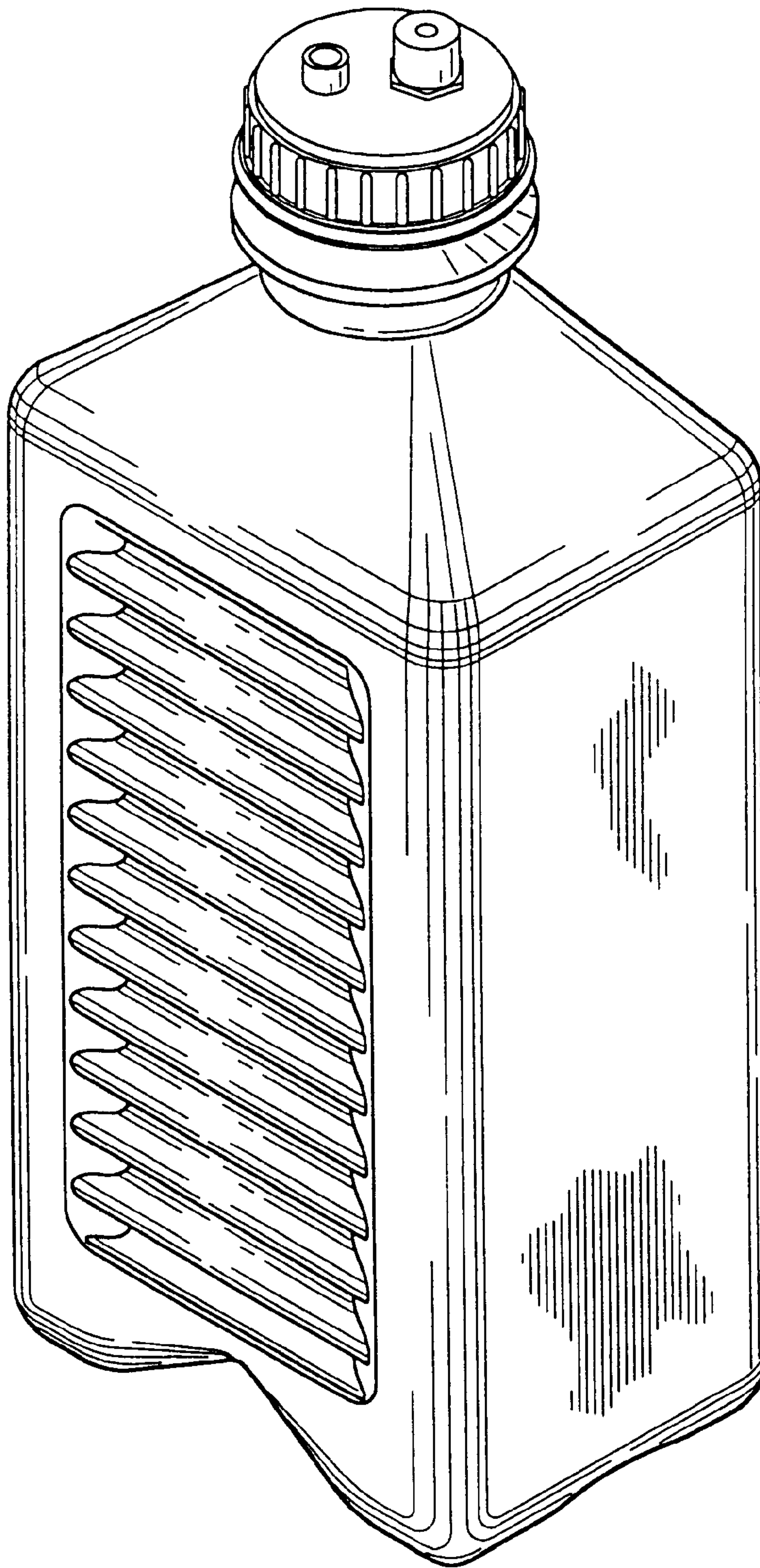


FIG. 24

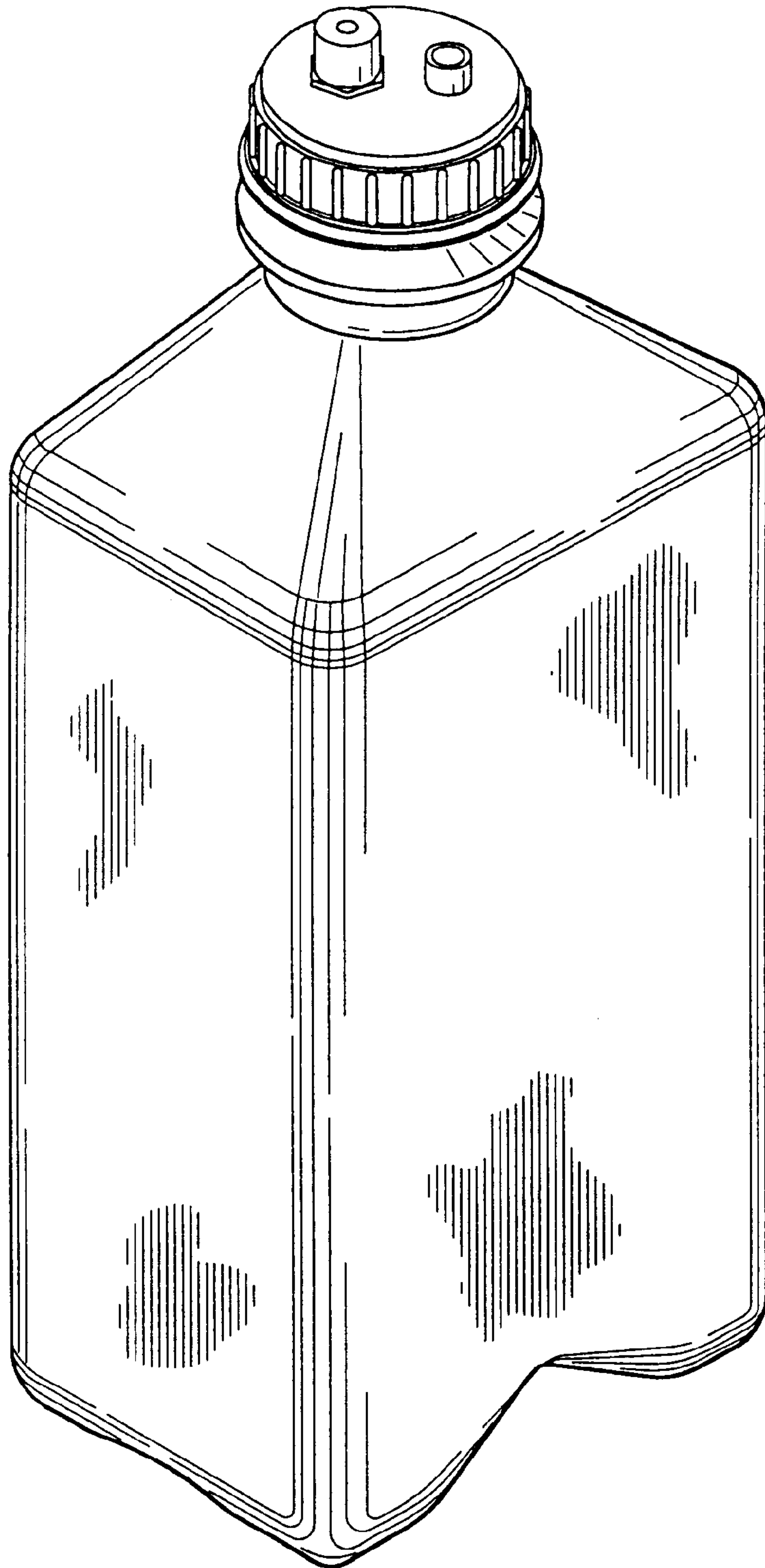


FIG. 25

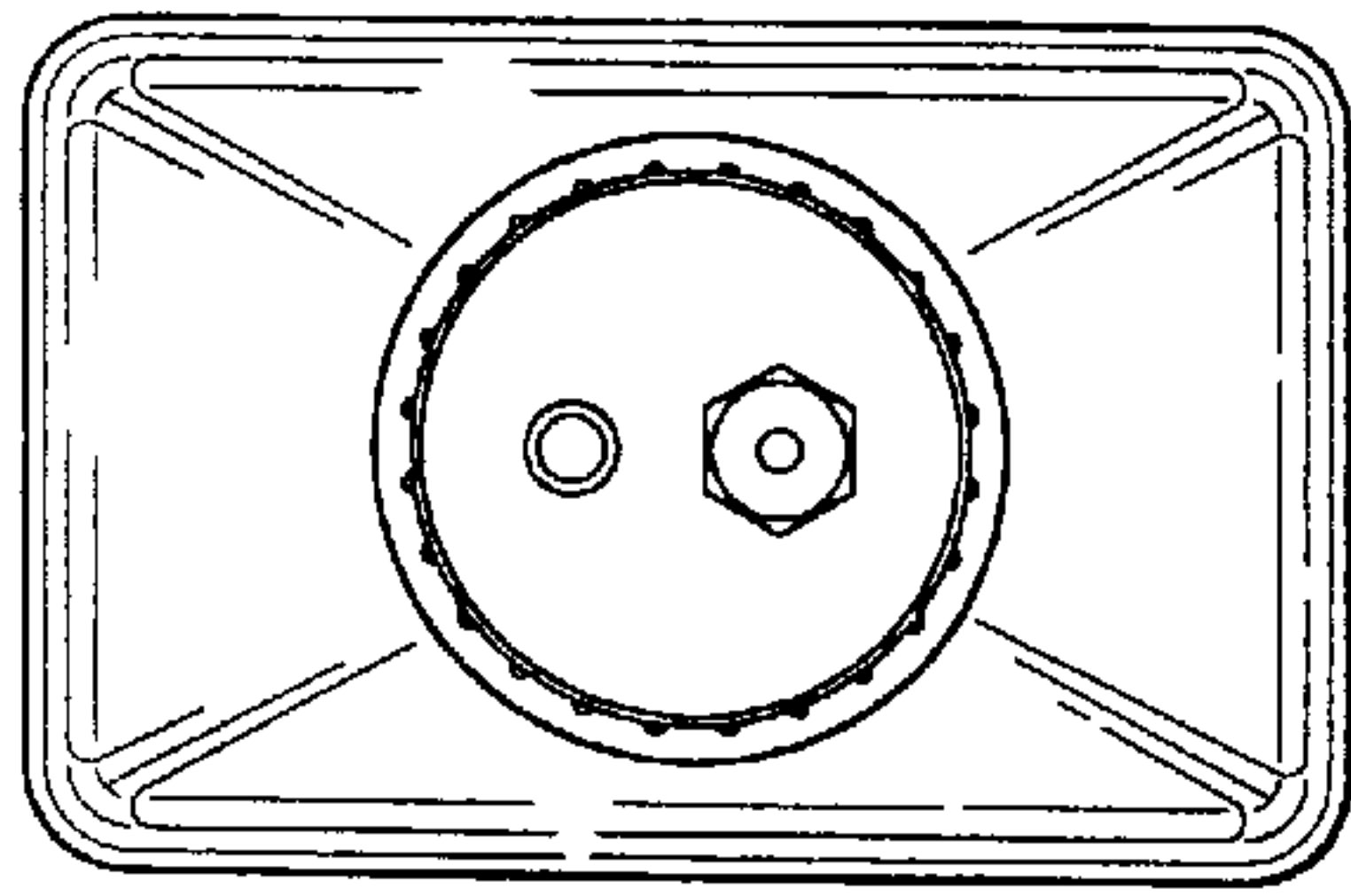


FIG. 28

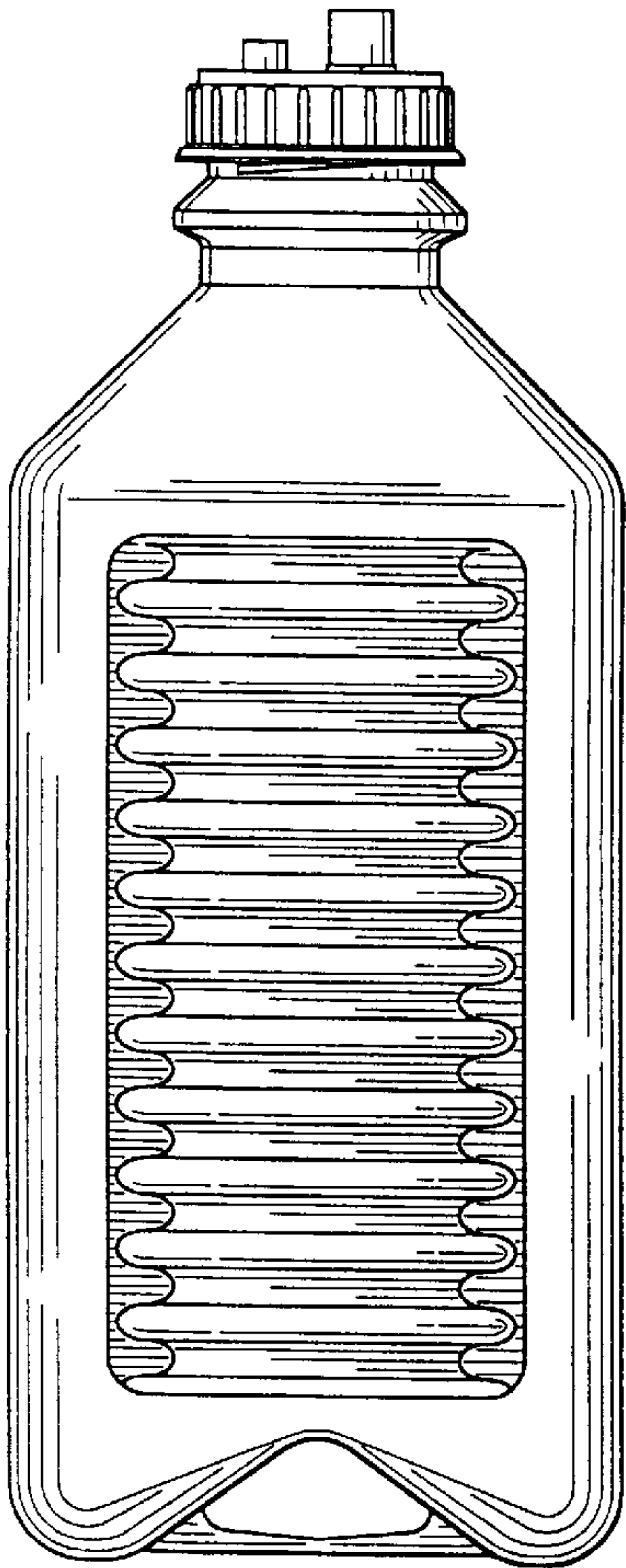


FIG. 26

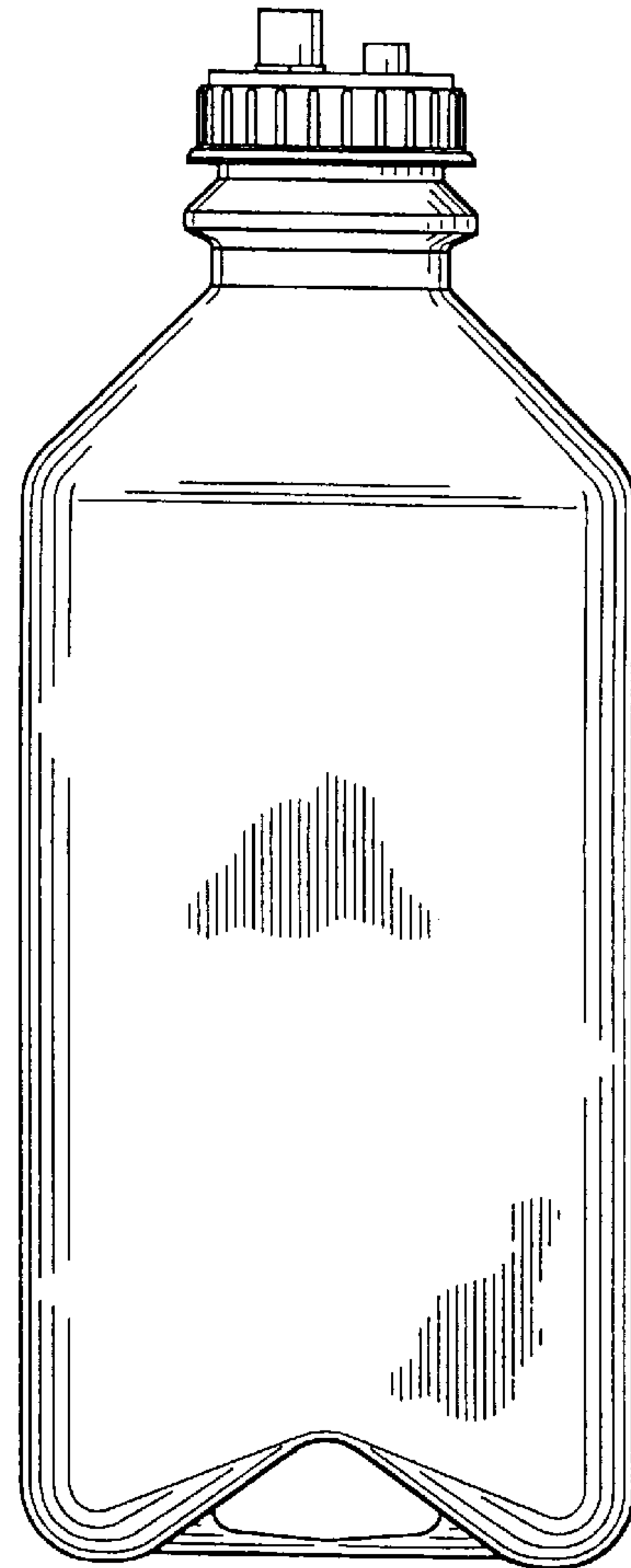


FIG. 27

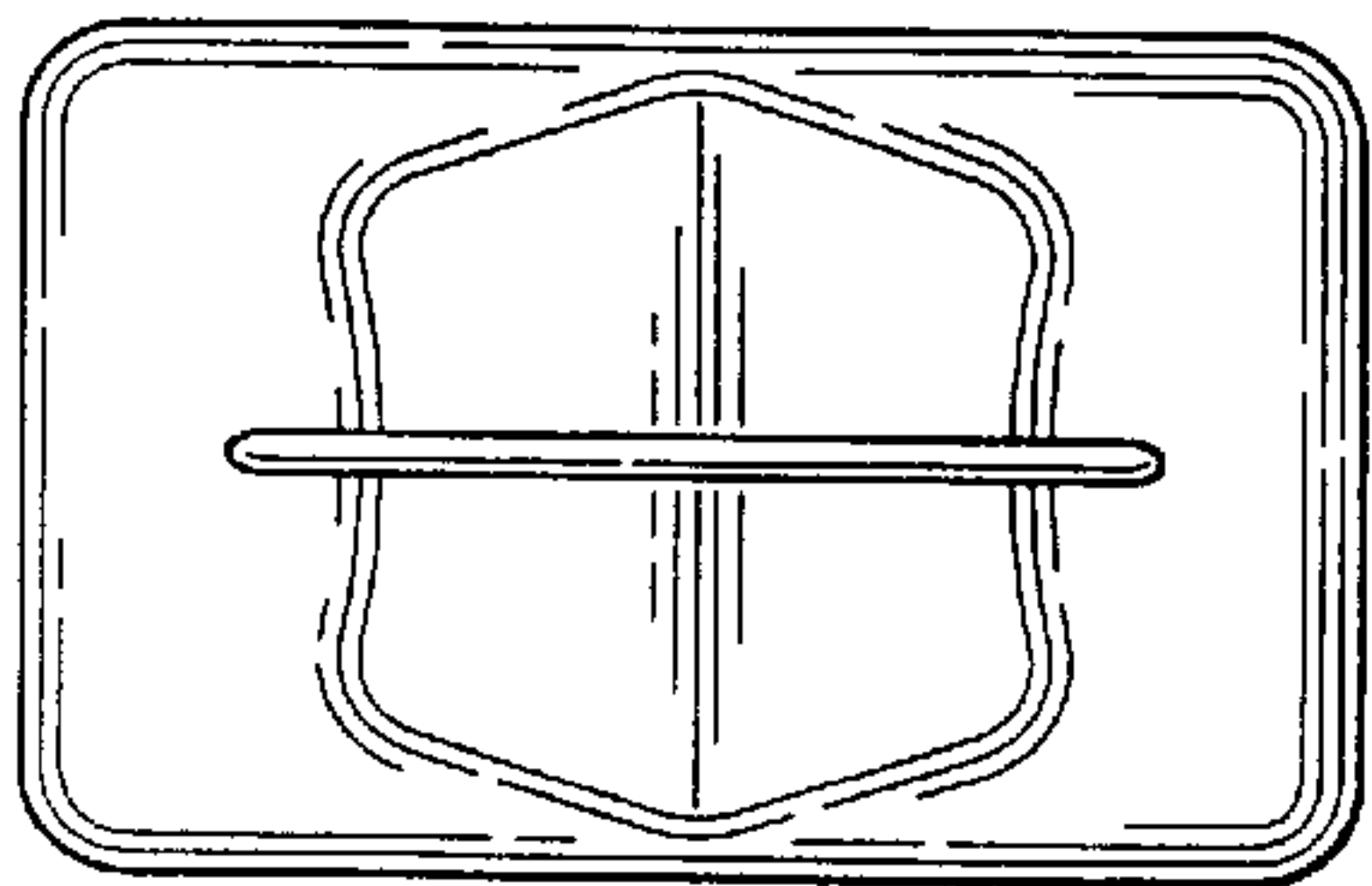


FIG. 29

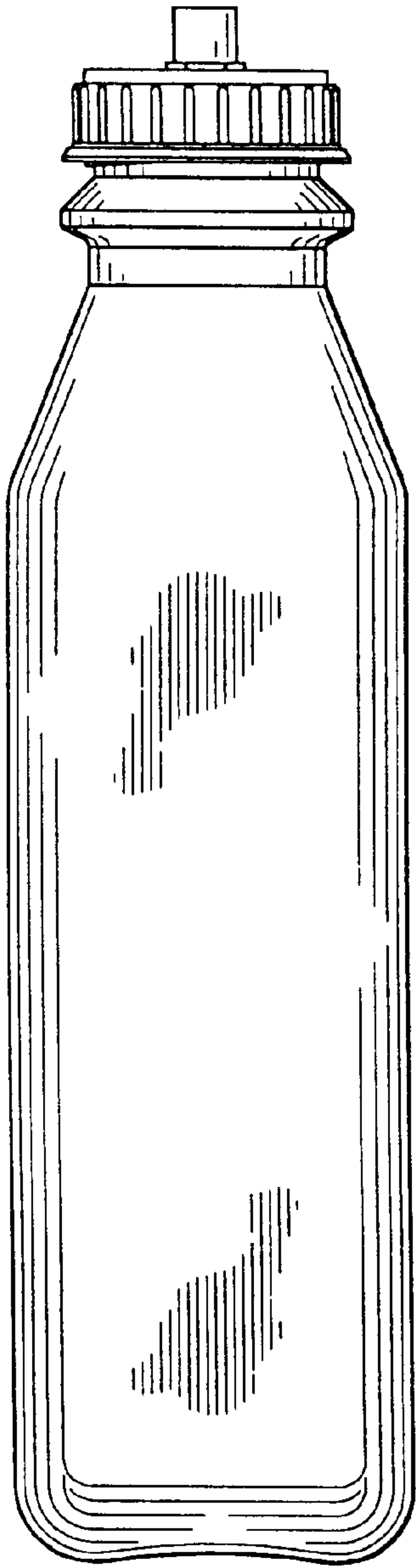


FIG. 30

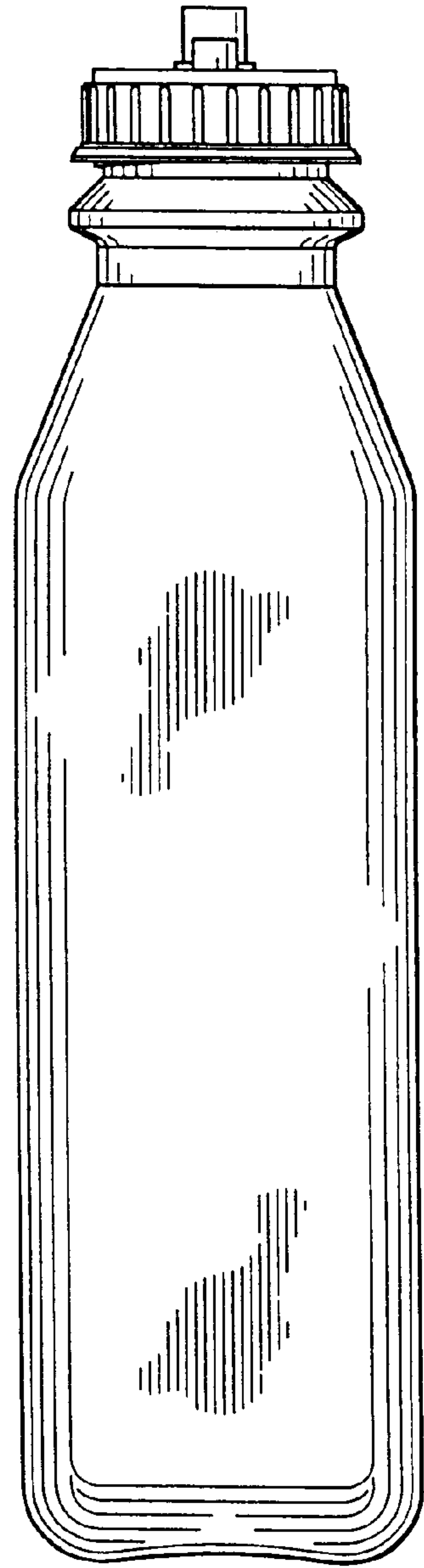


FIG. 31

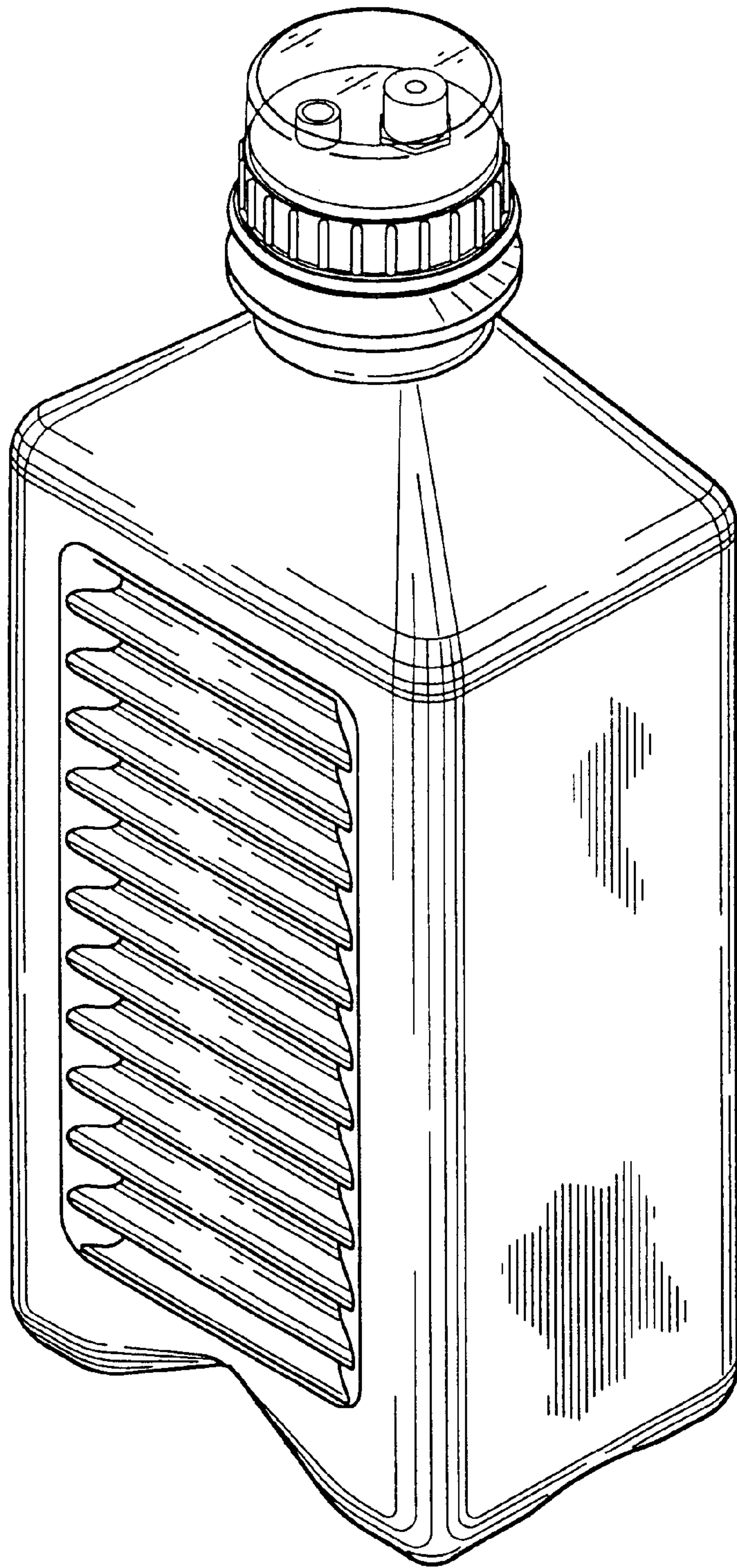


FIG. 32

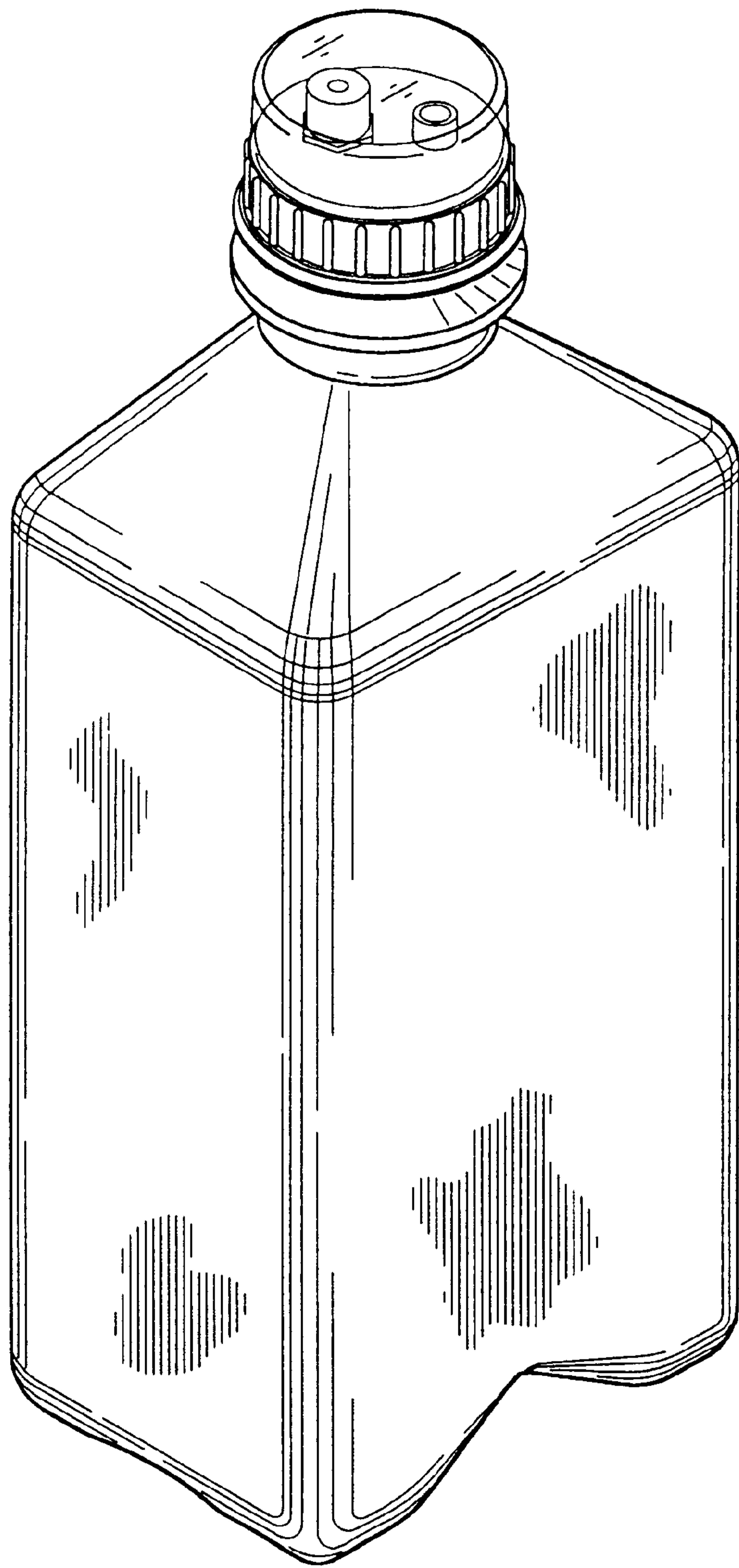


FIG. 33

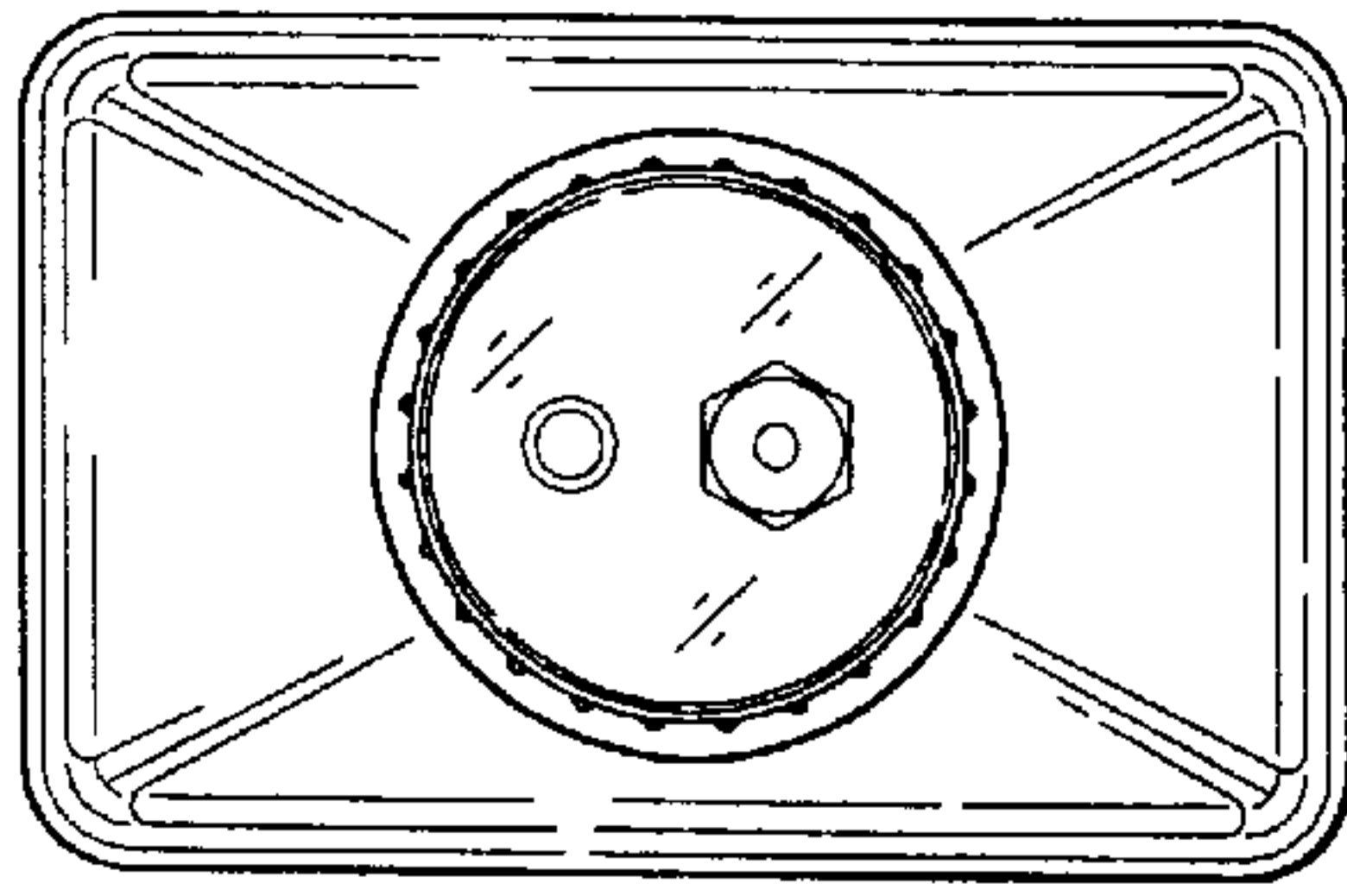


FIG. 36

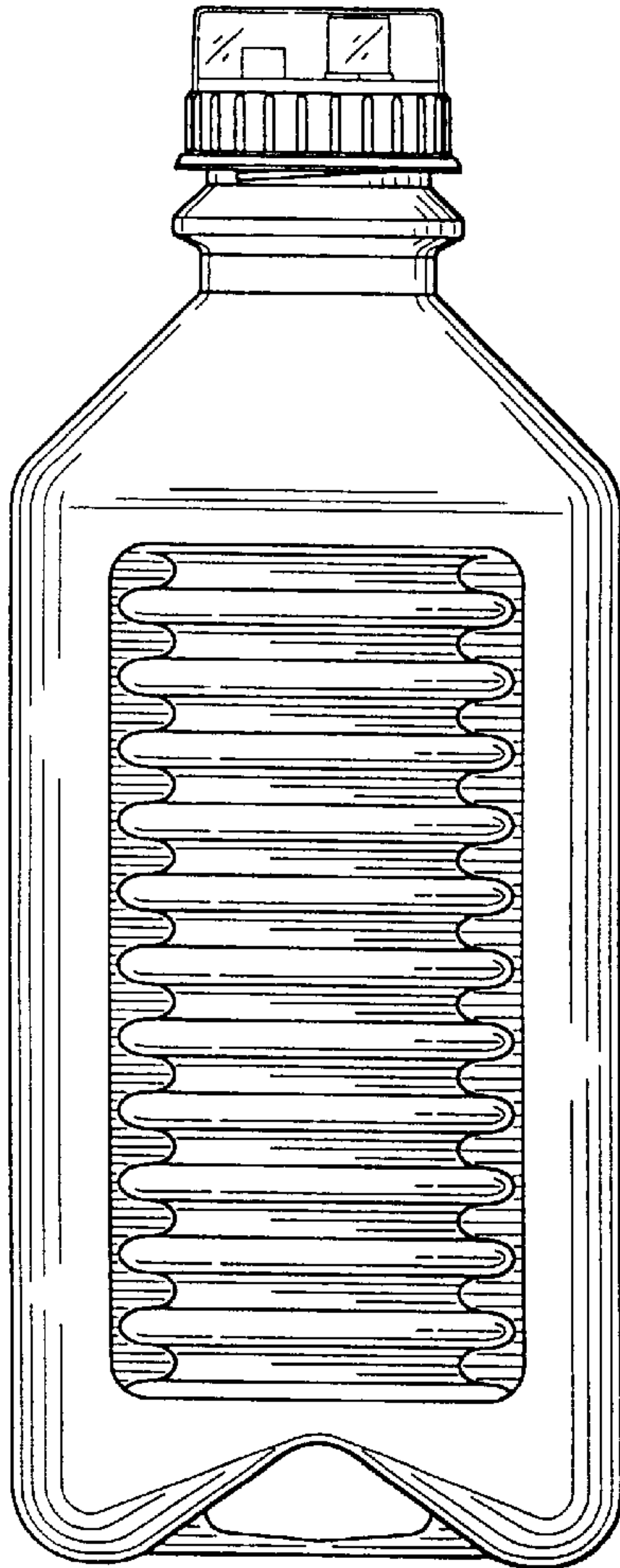


FIG. 34

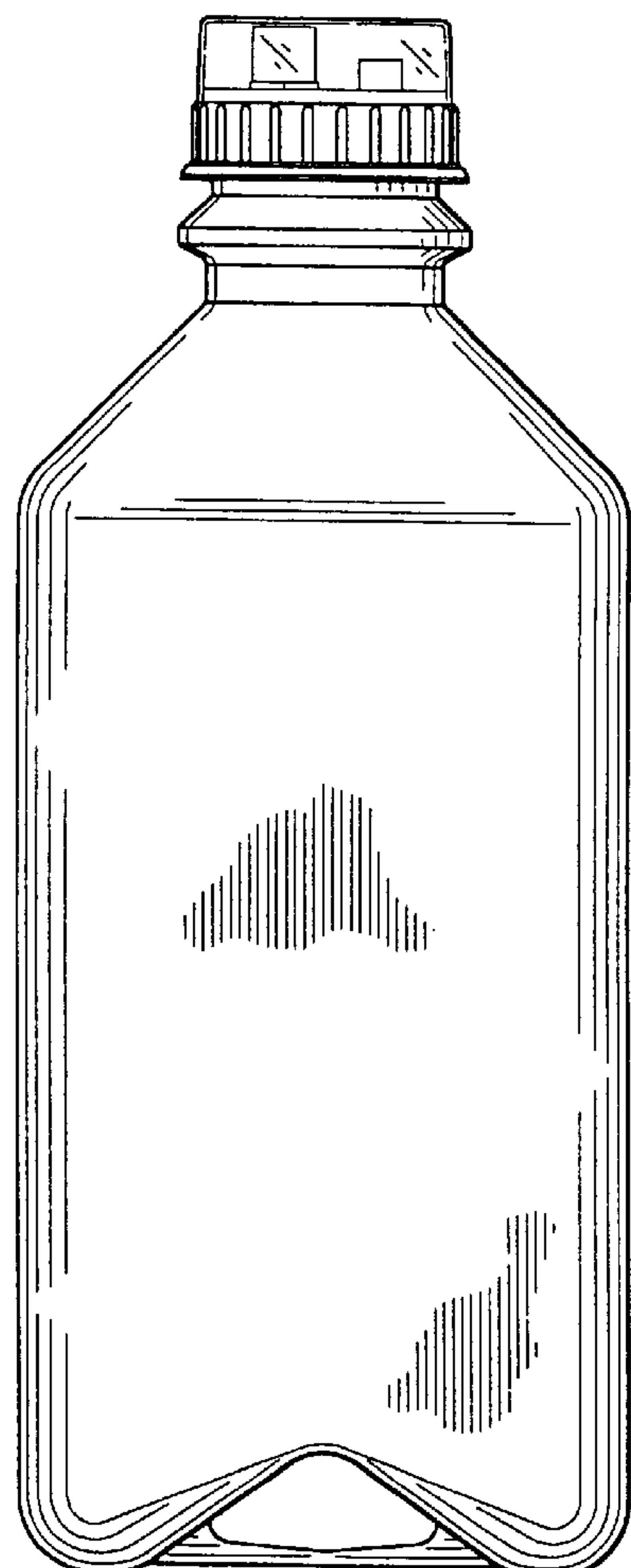


FIG. 35

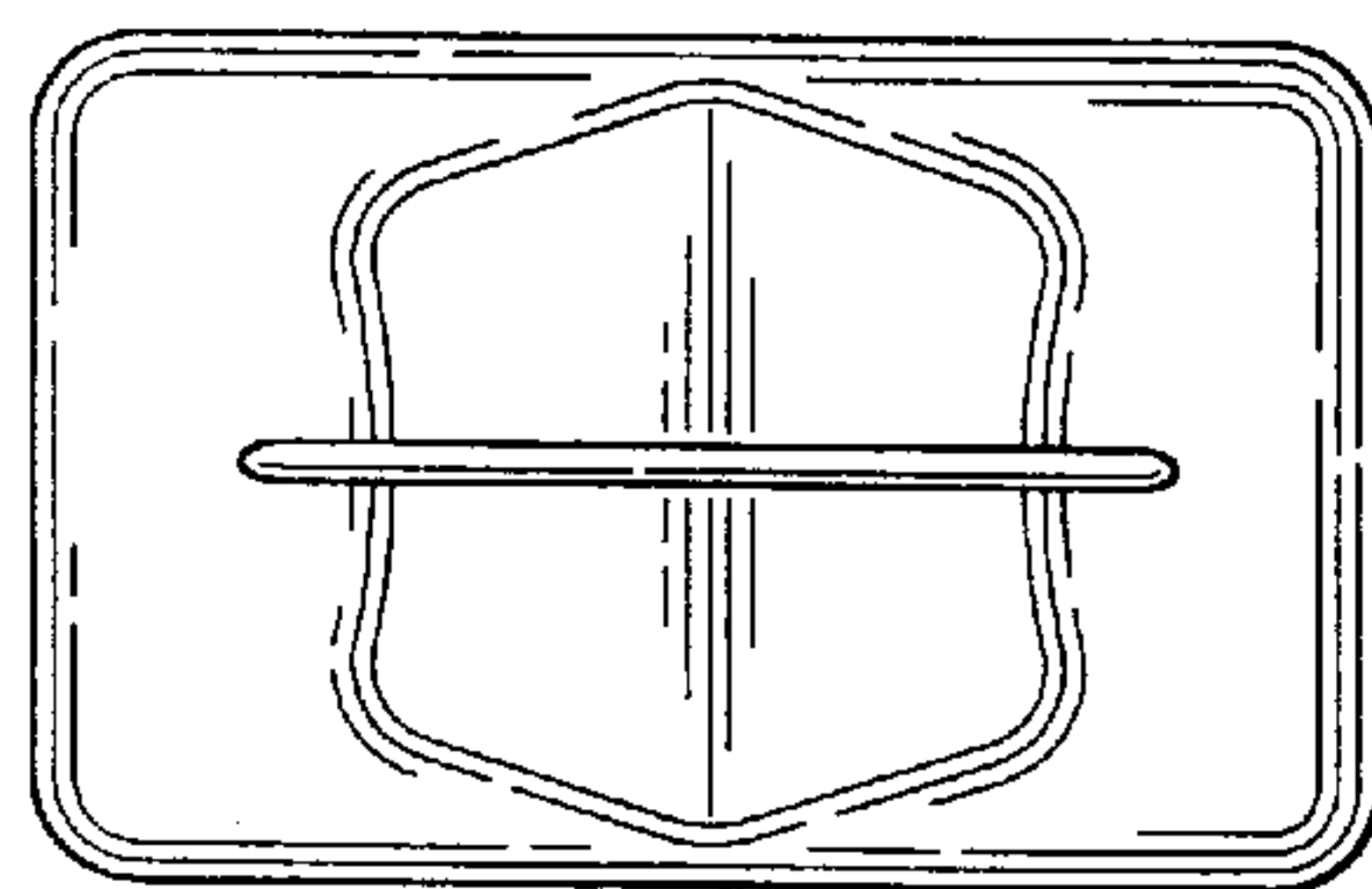


FIG. 37

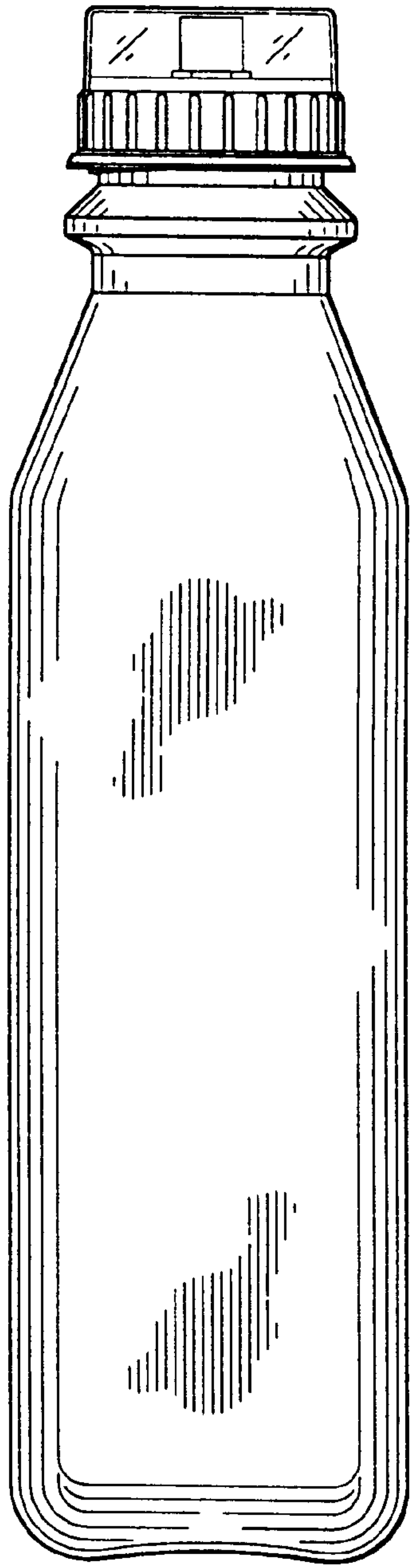


FIG. 38

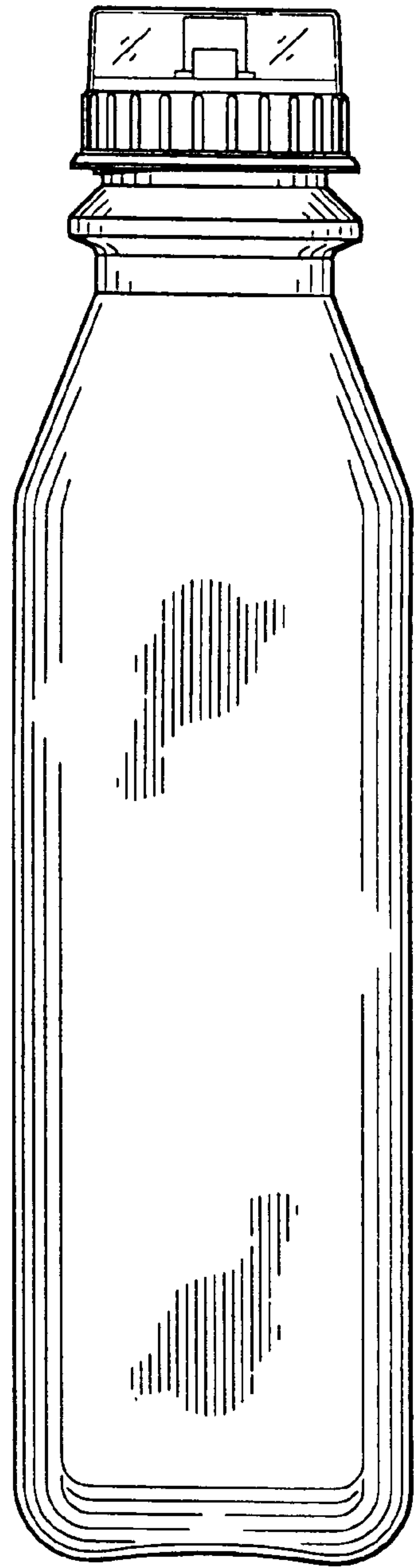


FIG. 39

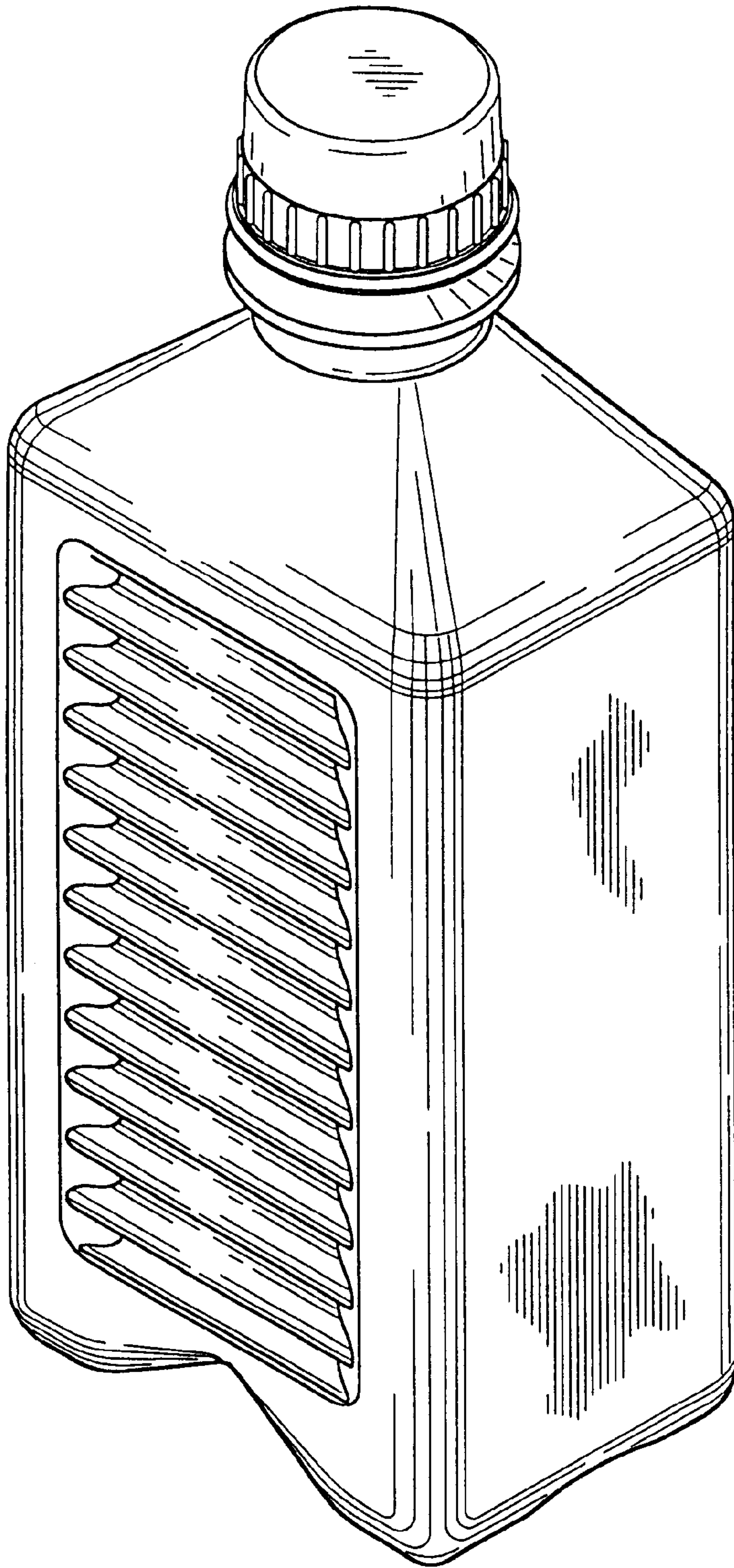


FIG. 40

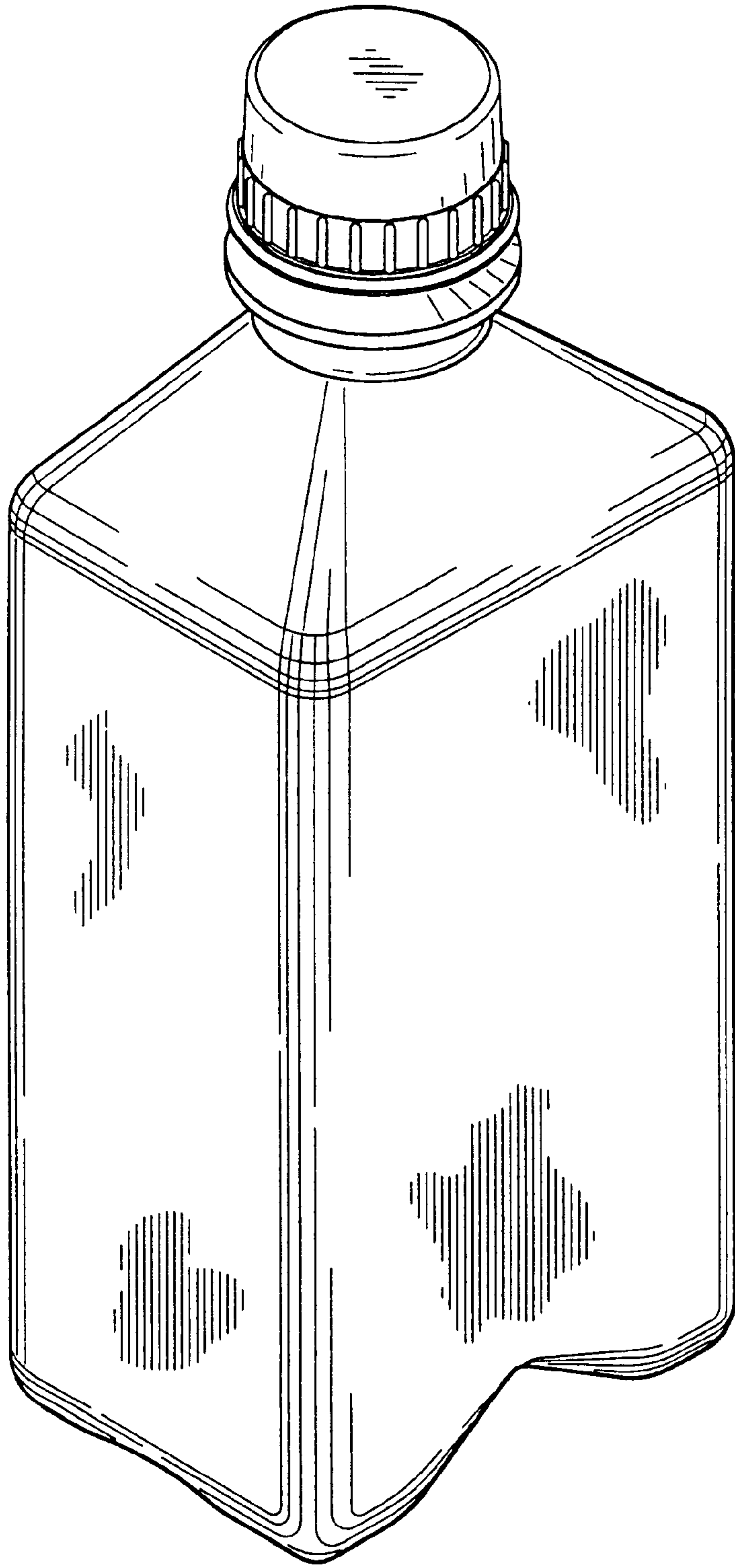


FIG. 41

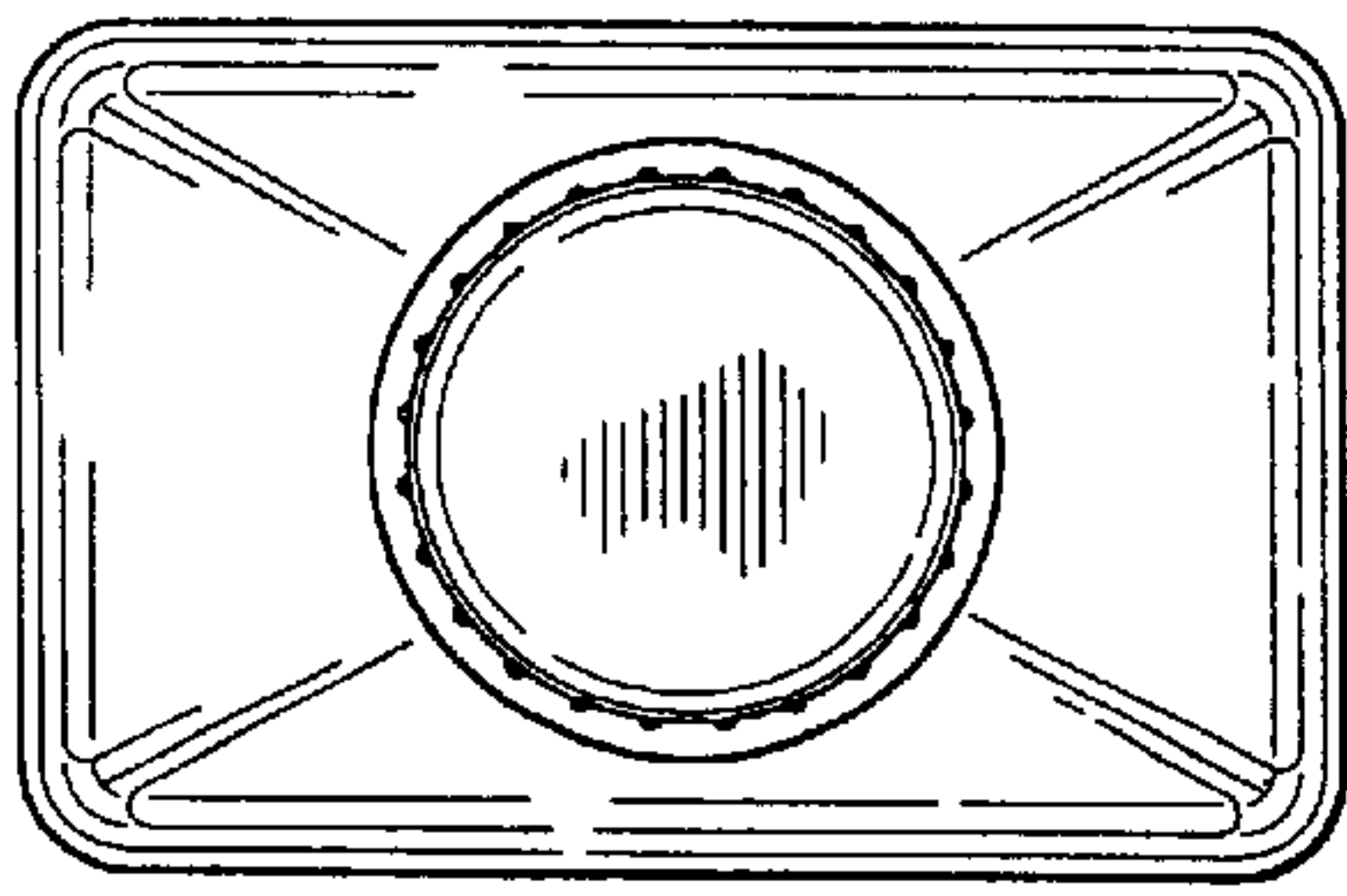


FIG. 44

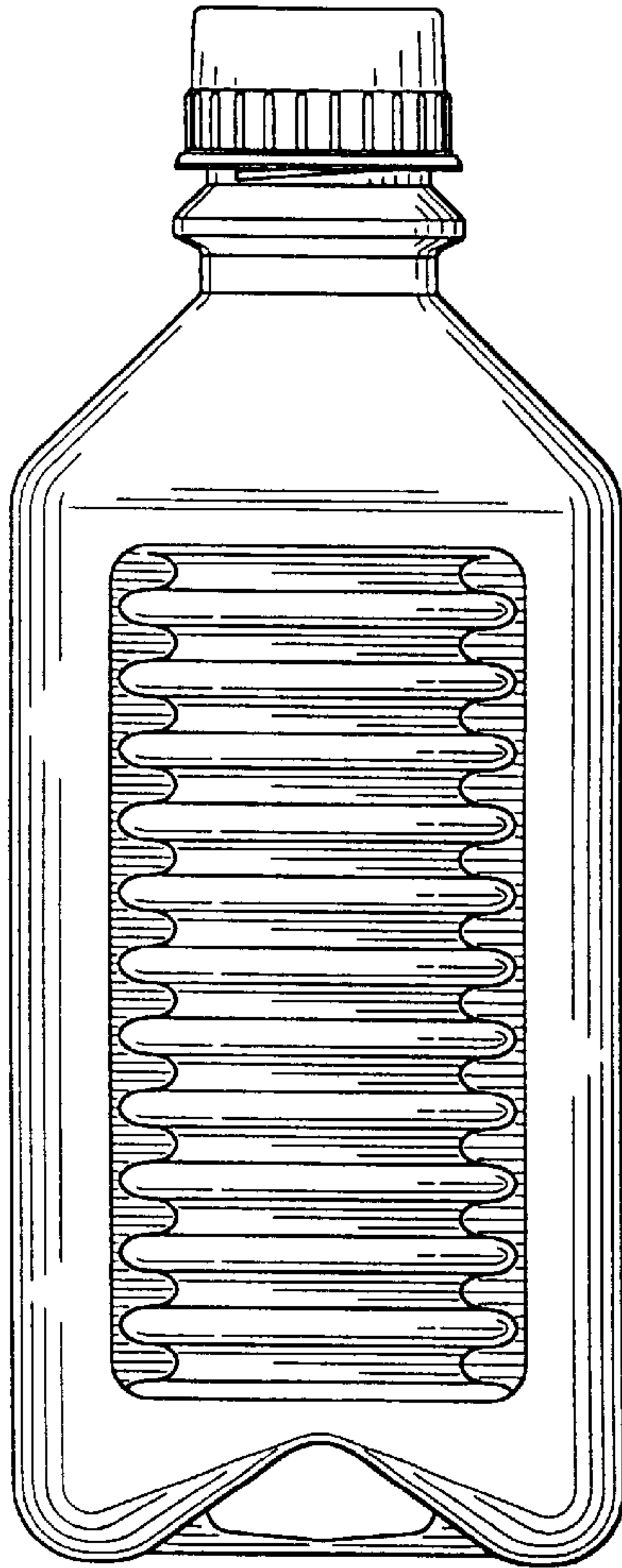


FIG. 42

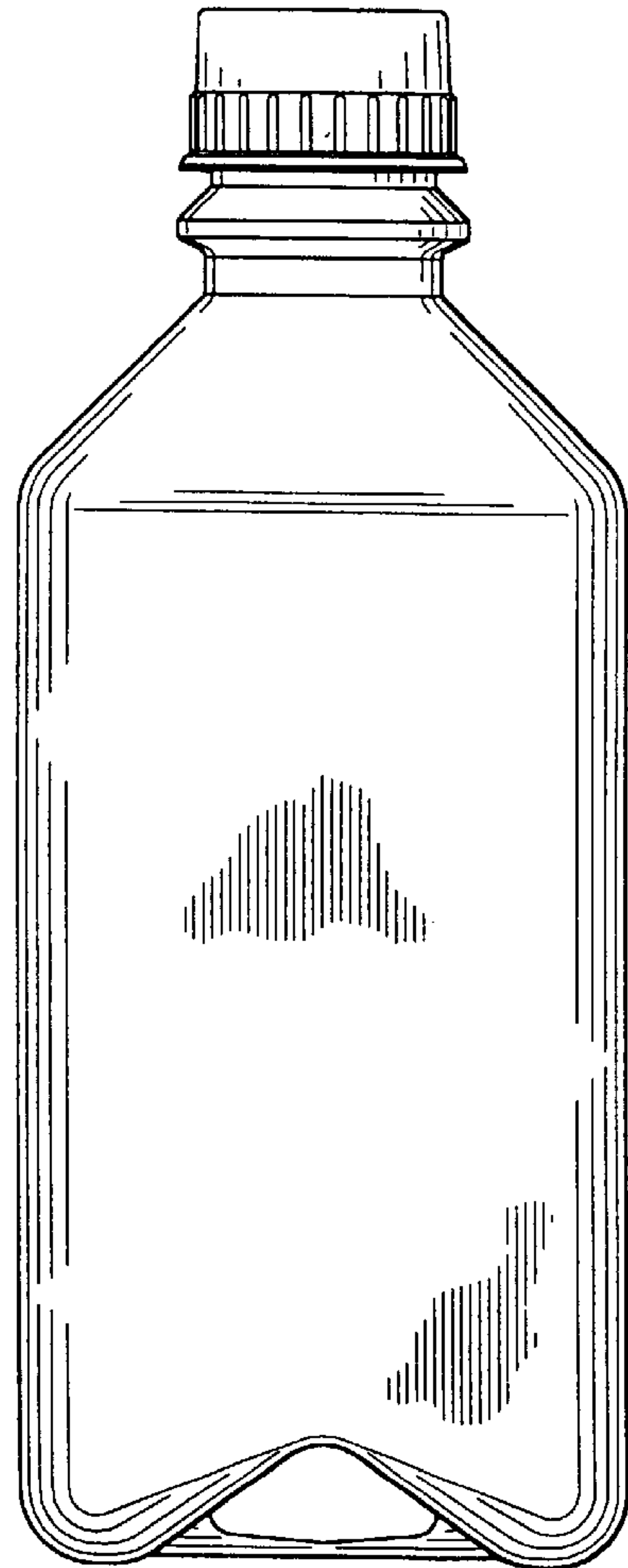


FIG. 43

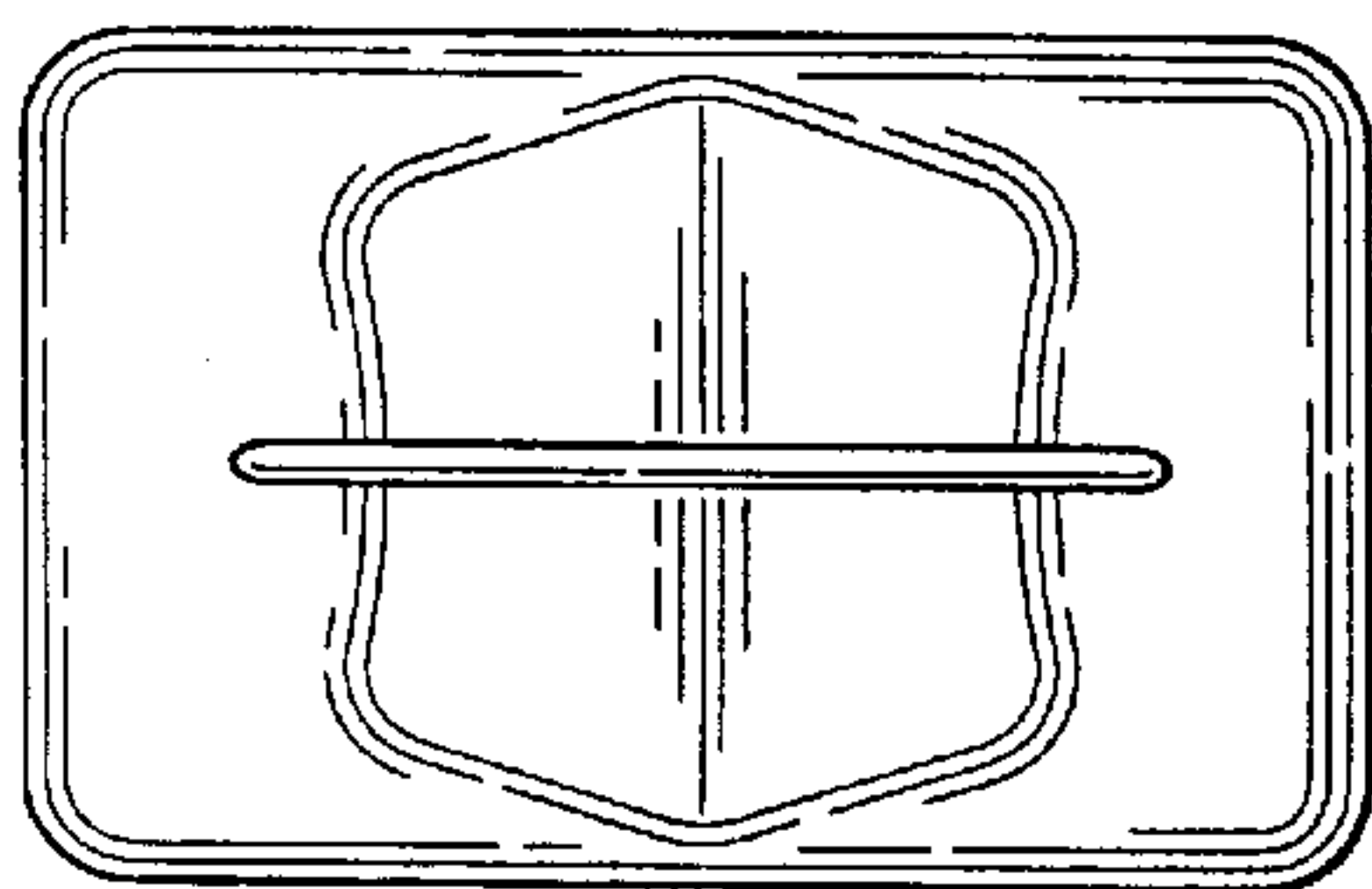


FIG. 45

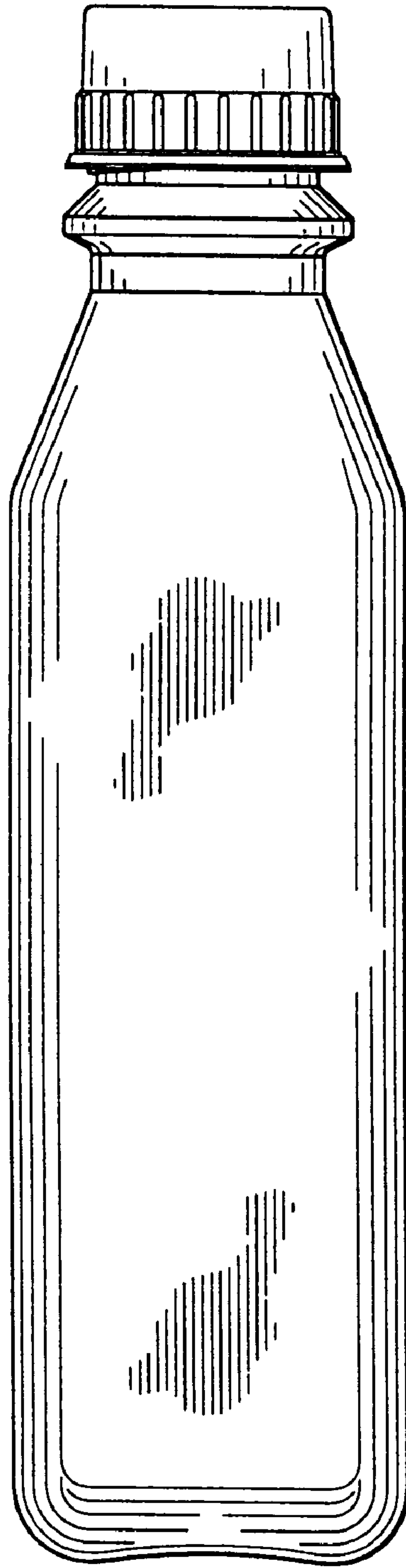


FIG. 46