



US00D427296S

United States Patent [19]

Descent

[11] **Patent Number: Des. 427,296**

[45] **Date of Patent: ** Jun. 27, 2000**

[54] **COVER FOR TOILET RESERVOIR**

[76] Inventor: **Serge Jacques Descent**, 300 Second Ave. SE., St. Petersburg, Fla. 33712

[**] Term: **14 Years**

[21] Appl. No.: **29/112,770**

[22] Filed: **Oct. 22, 1999**

[51] **LOC (7) Cl.** **23-02**

[52] **U.S. Cl.** **D23/311; D23/295**

[58] **Field of Search** 4/245.1, 245.2; D23/311, 300, 303, 270, 295

[56] **References Cited**

U.S. PATENT DOCUMENTS

- D. 371,191 6/1996 McNelli D23/311
- D. 382,046 8/1997 Birsal et al. D23/295

Primary Examiner—Doris Clark
Attorney, Agent, or Firm—Larson & Larson, P.A.; James E. Larson

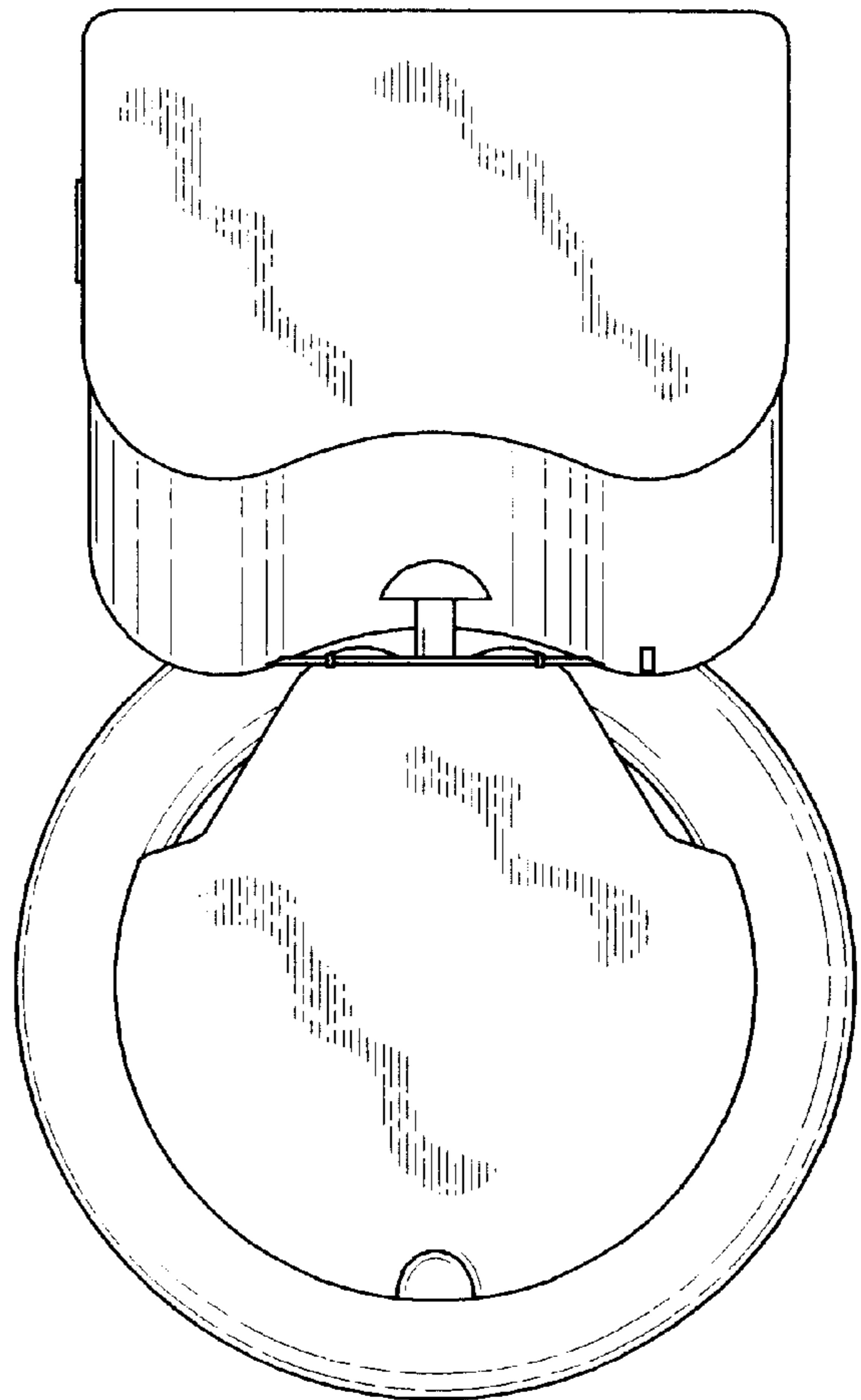
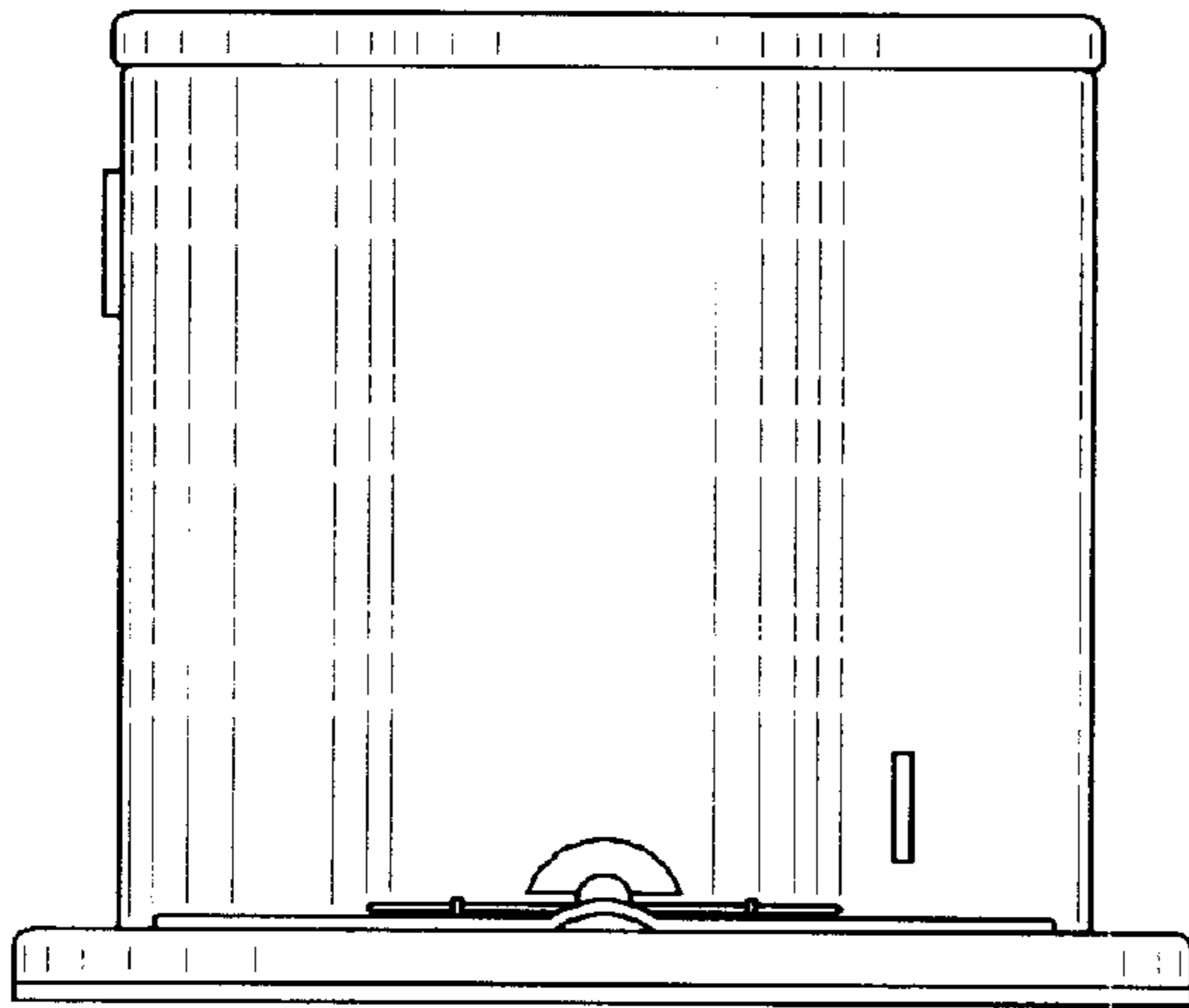
[57] **CLAIM**

The ornamental design for a cover for toilet reservoir, as shown and described.

DESCRIPTION

FIG. 1 is a front elevational view of a cover for toilet reservoir showing my design;
FIG. 2 is a back elevational view thereof;
FIG. 3 is a left side view thereof;
FIG. 4 is a right side view thereof;
FIG. 5 is a top plan view thereof; and,
FIG. 6 is a bottom plan view thereof.

1 Claim, 3 Drawing Sheets



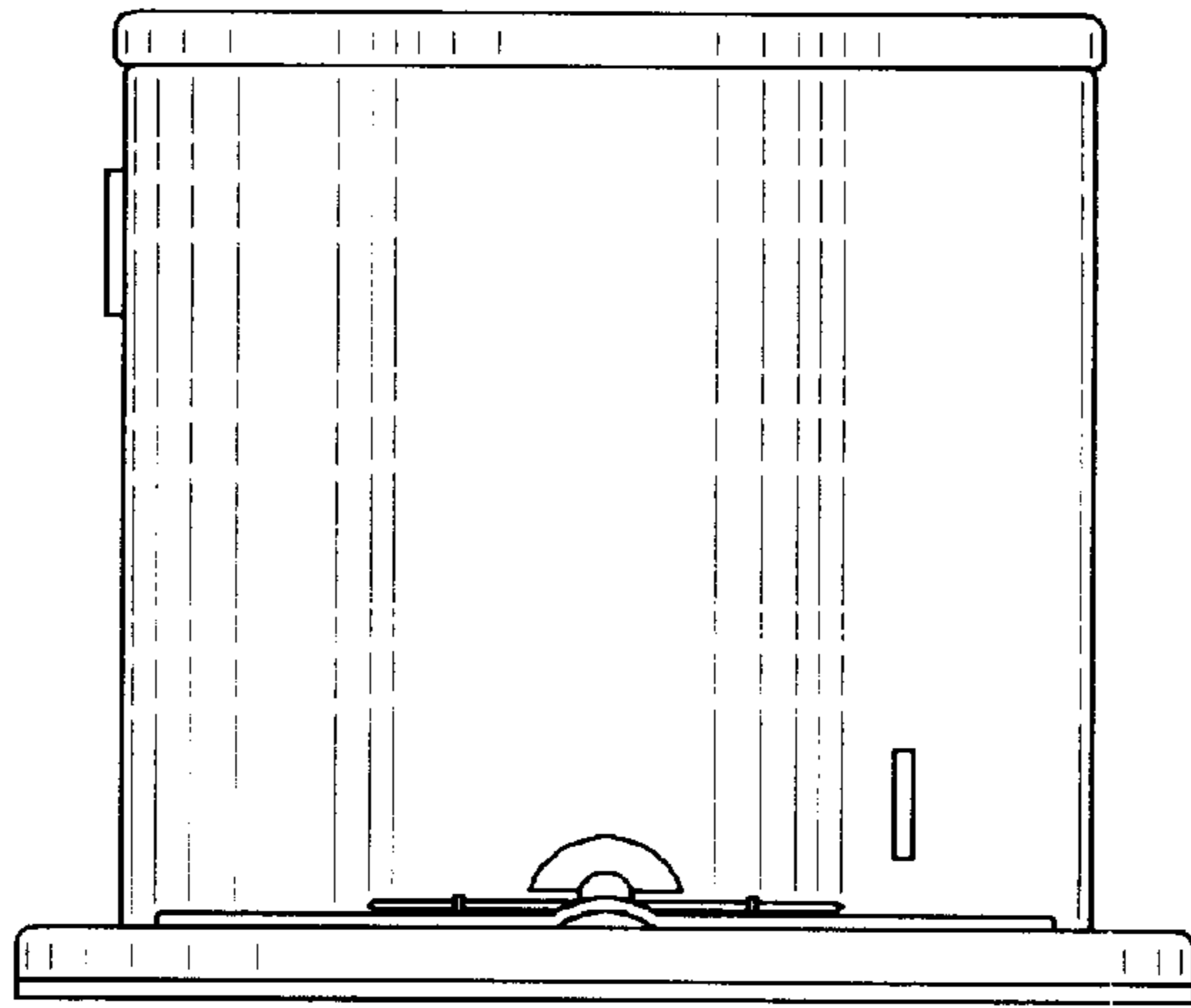


Fig. 1

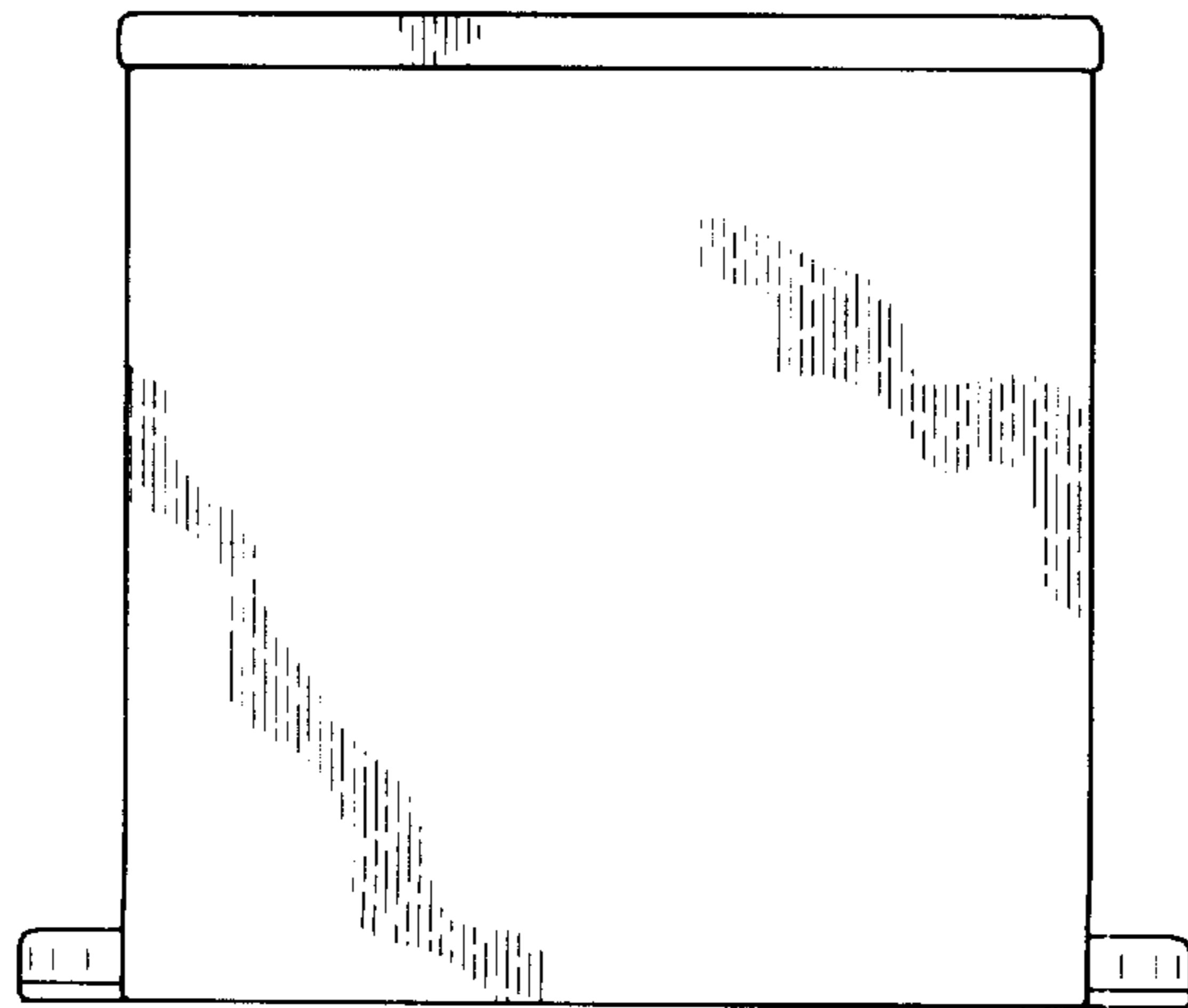


Fig. 2

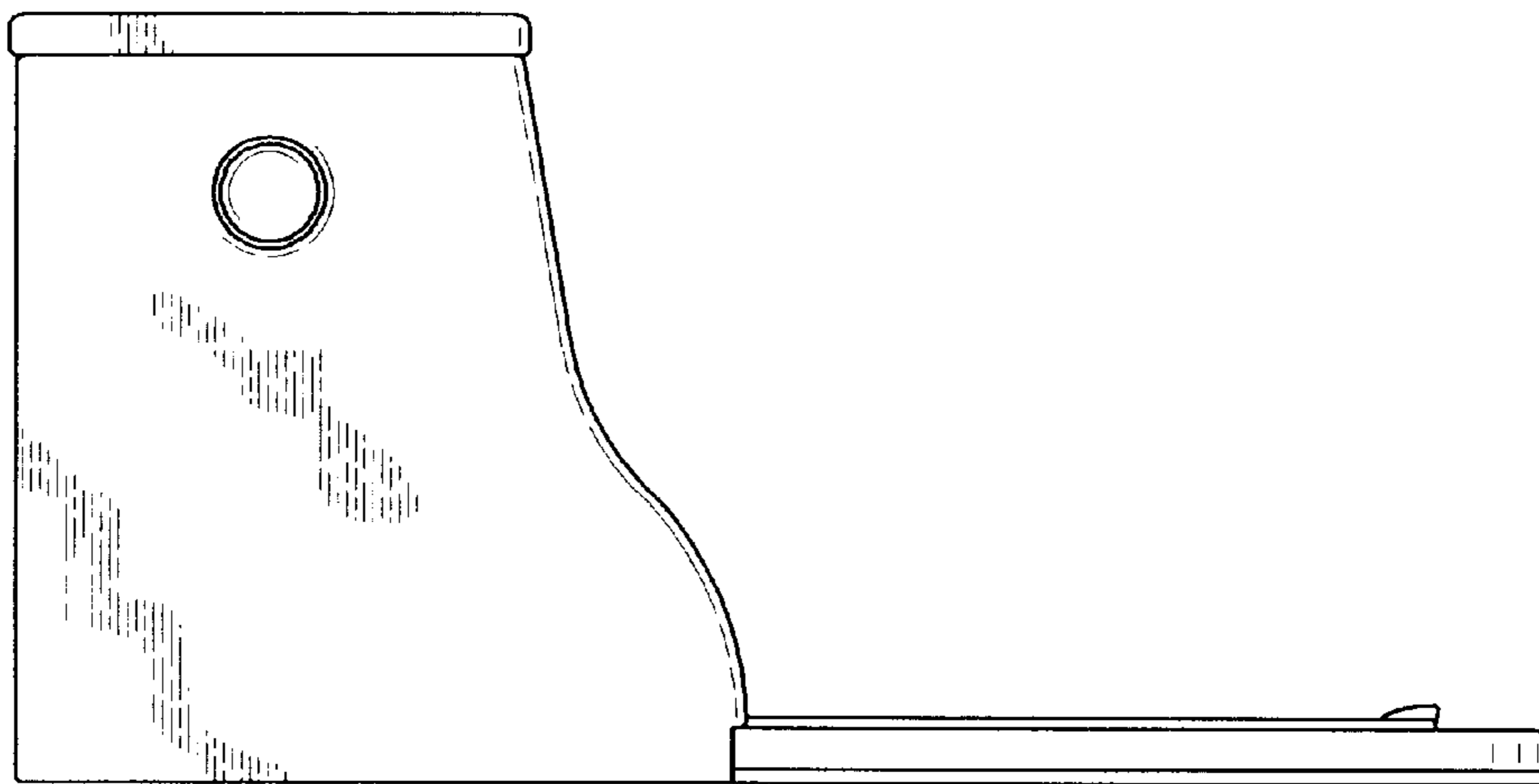


Fig. 3

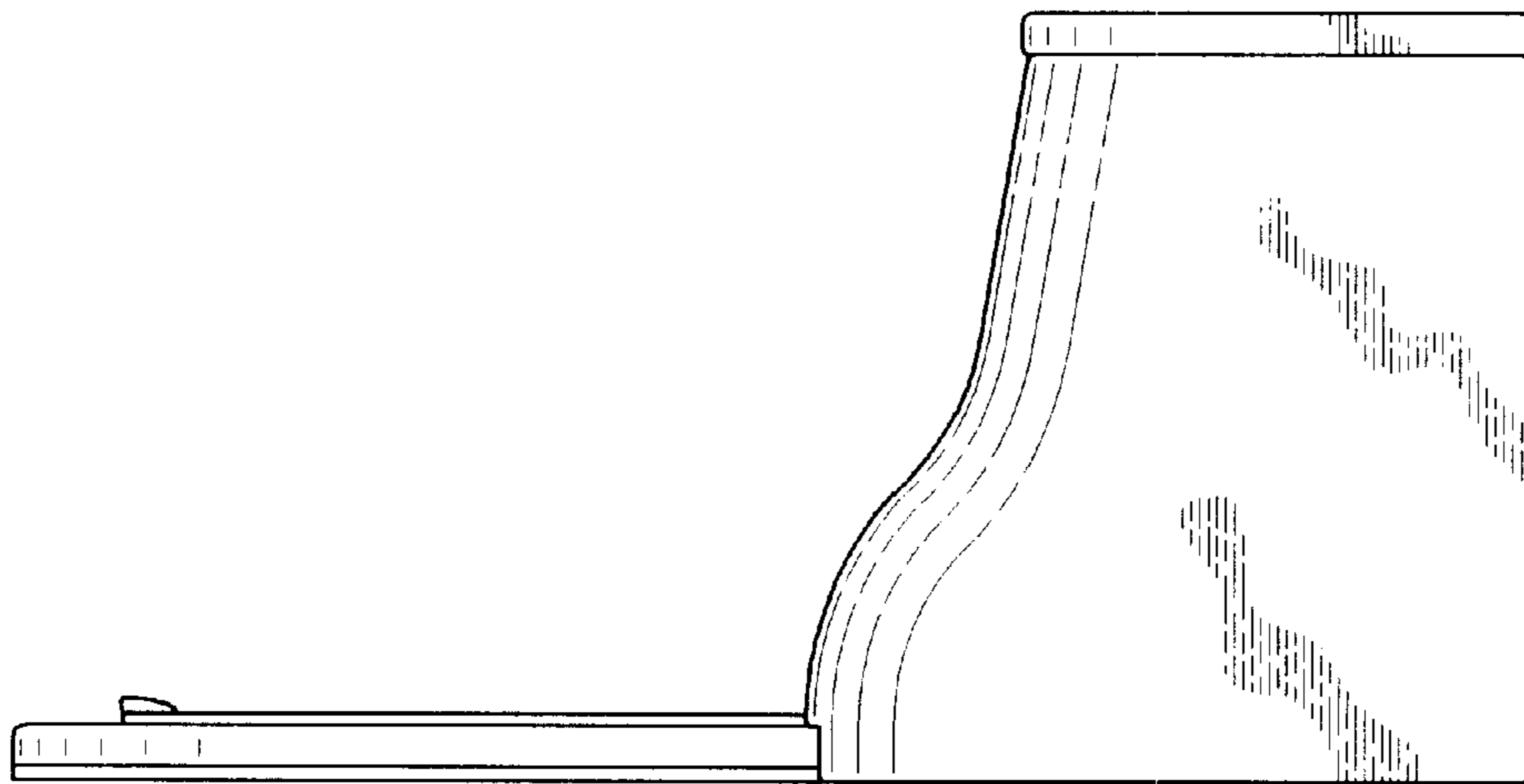


Fig. 4

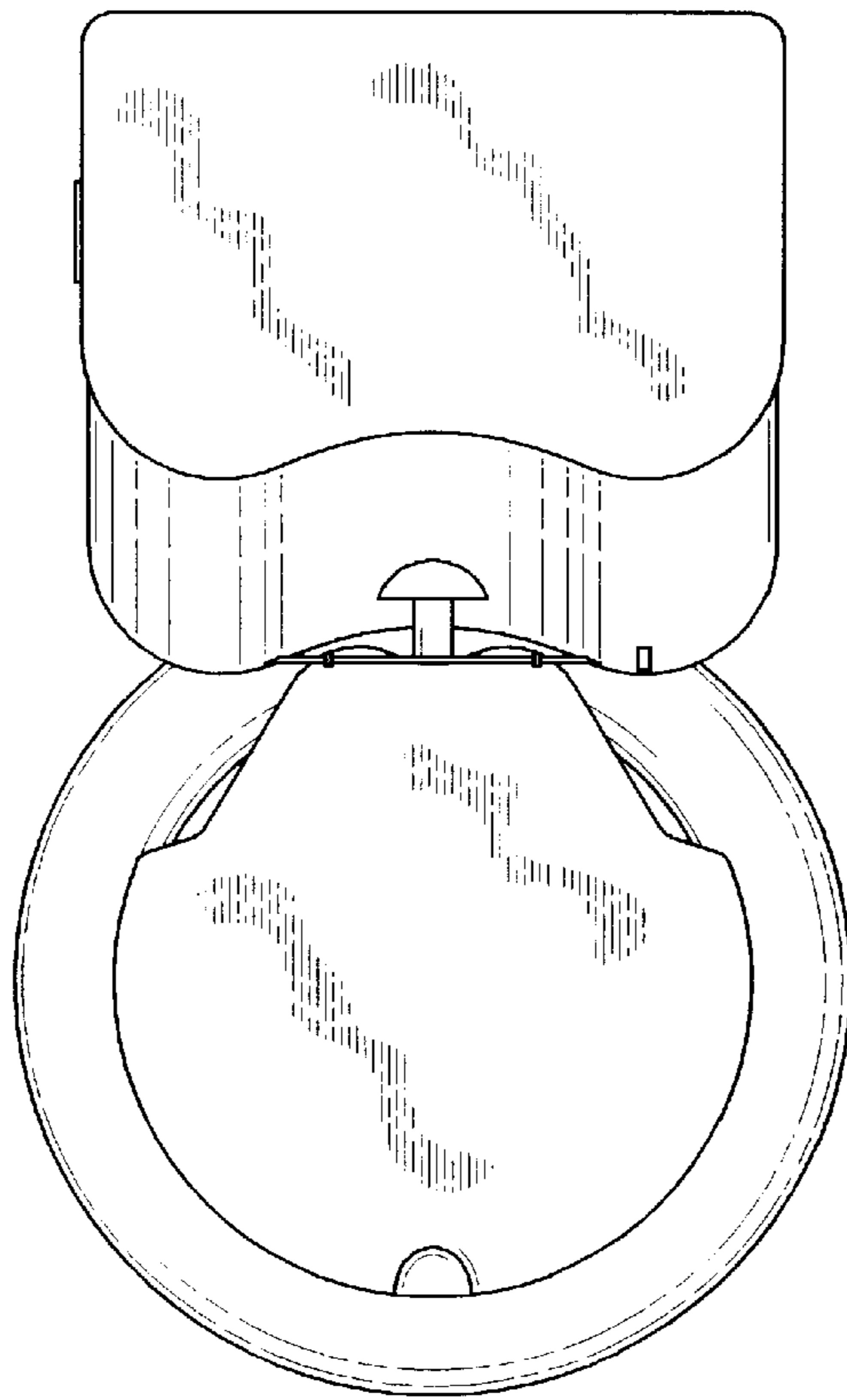


Fig. 5

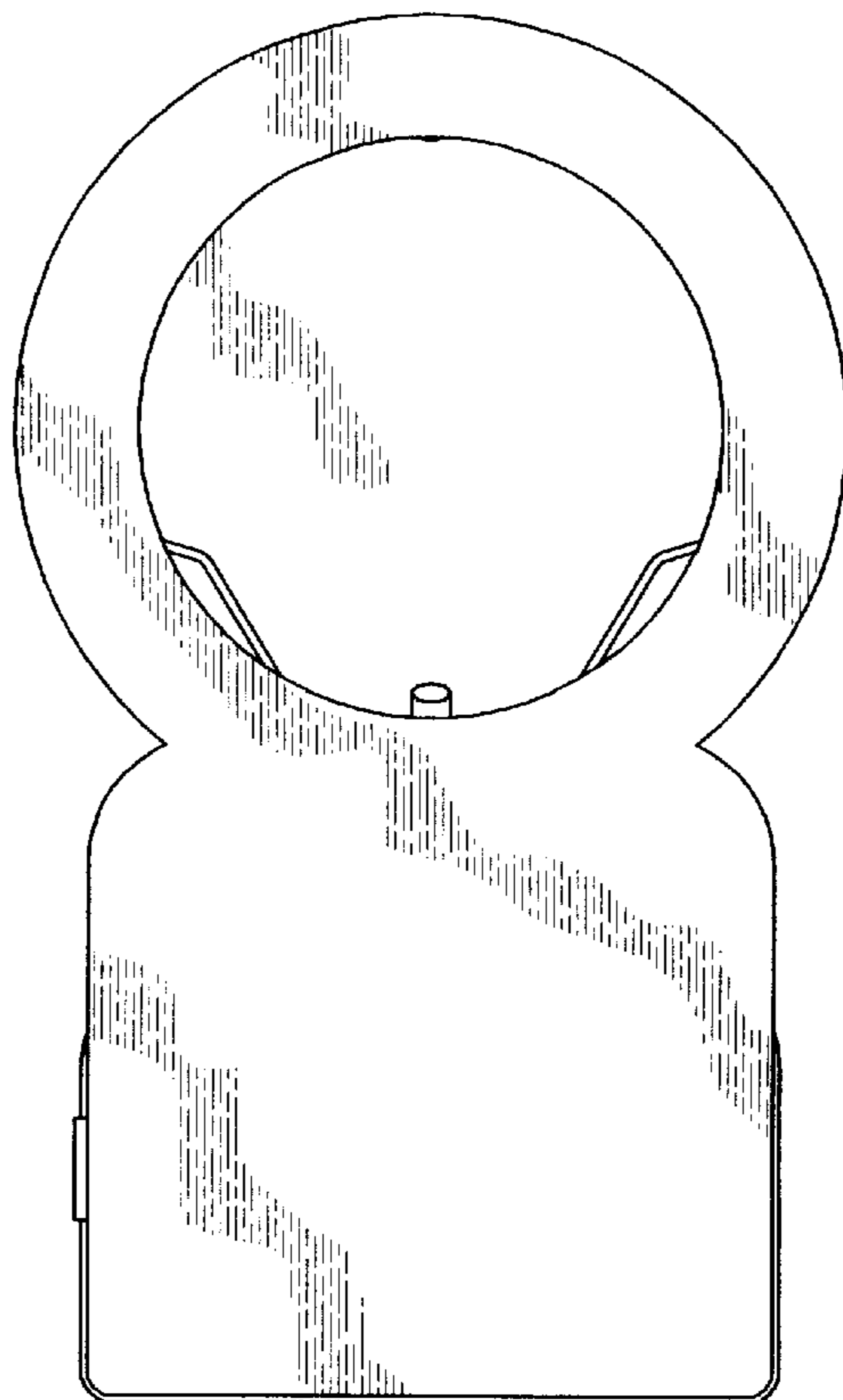


Fig. 6