



US00D427294S

United States Patent [19]

[11] Patent Number: **Des. 427,294**

Haug et al.

[45] Date of Patent: **** Jun. 27, 2000**

[54] **SHOWER FIXTURE**

[75] Inventors: **Andreas Haug; Thomas Schönherr**, both of Stuttgart; **Jochen Schmiddem; Dominik Tesseraux**, both of Berlin, all of Germany

[73] Assignee: **Hansgrohe AG**, Schiltach, Germany

[**] Term: **14 Years**

[21] Appl. No.: **29/108,223**

[22] Filed: **Jul. 22, 1999**

[30] **Foreign Application Priority Data**

Jan. 22, 1999 [DE] Germany 4 99 00 693

[51] **LOC (7) Cl.** **23-02**

[52] **U.S. Cl.** **D23/304**

[58] **Field of Search** D23/303-311; D6/525, 574; 4/580, 584, 596, 612, DIG. 9; 264/46.4; 604/150

[56] **References Cited**

U.S. PATENT DOCUMENTS

- D. 217,548 5/1970 Niemann D23/228
- D. 372,303 7/1996 Lobermeier D23/304
- D. 375,787 11/1996 Bonnell et al. D23/304
- D. 384,129 9/1997 Neufeld et al. D23/213
- D. 385,333 10/1997 Caroen et al. D23/228
- D. 387,420 12/1997 Kuhne D23/304

- D. 390,640 2/1998 Valentin D23/304
- D. 390,641 2/1998 Valentin D23/304
- D. 391,341 2/1998 Sutherland D23/228
- D. 397,773 9/1998 Valentin D23/304
- D. 403,415 12/1998 Valentin D23/304
- D. 405,877 2/1999 Larsson D23/304
- D. 407,806 4/1999 Dimitriadis et al. D23/304

OTHER PUBLICATIONS

Hansgrohe PHARO-catalog, Oct. 1998, pp. 18-21.
Cesana catalog, 1998, pp. 14 and 15.

Primary Examiner—Eric Watterson
Attorney, Agent, or Firm—Duane, Morris & Heckscher LLP

[57] **CLAIM**

The ornamental design for a shower fixture, as shown and described.

DESCRIPTION

FIG. 1 is a side perspective view of a shower fixture showing our new design;
FIG. 2 is a front elevation view thereof;
FIG. 3 is a side elevation view thereof;
FIG. 4 is an opposite side elevation view thereof;
FIG. 5 is a rear elevation view thereof;
FIG. 6 is a top plan view thereof; and,
FIG. 7 is a bottom plan view thereof.
The broken line showing is for illustrative purposes only and forms no part of the claimed design.

1 Claim, 7 Drawing Sheets

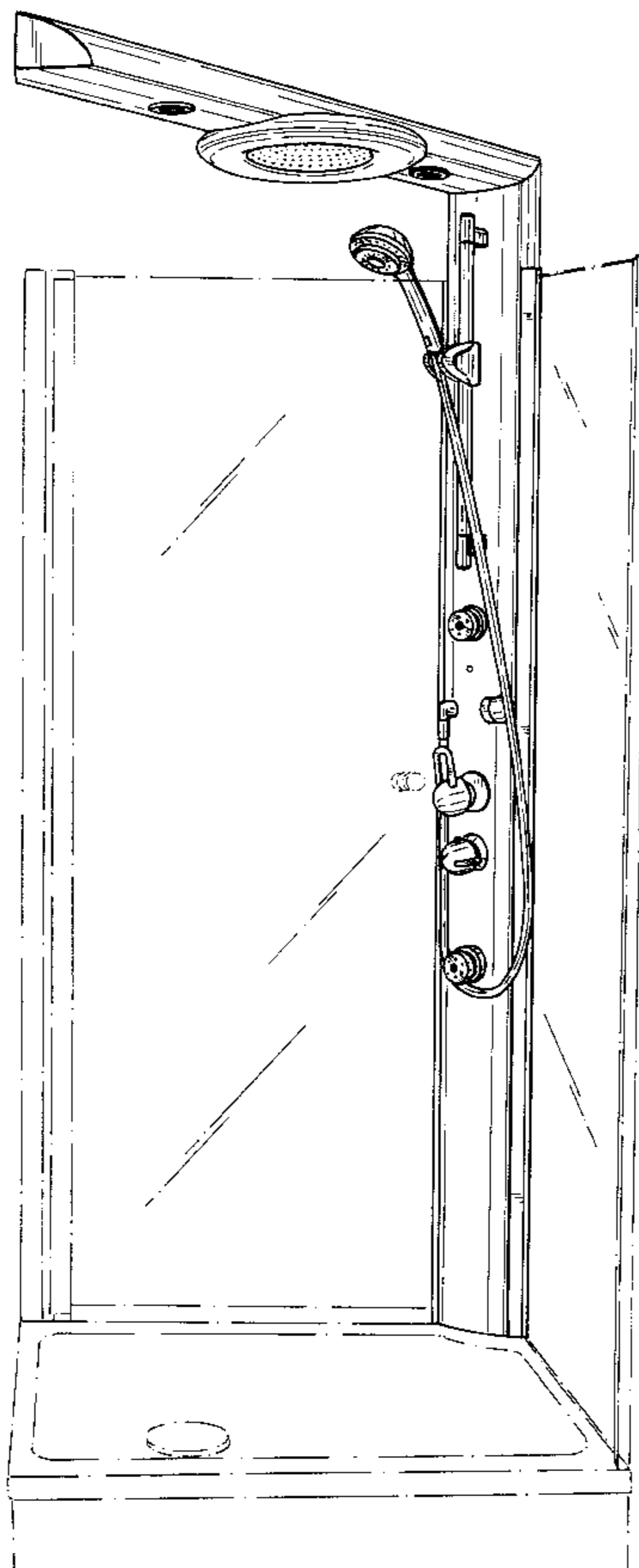


FIG. 1

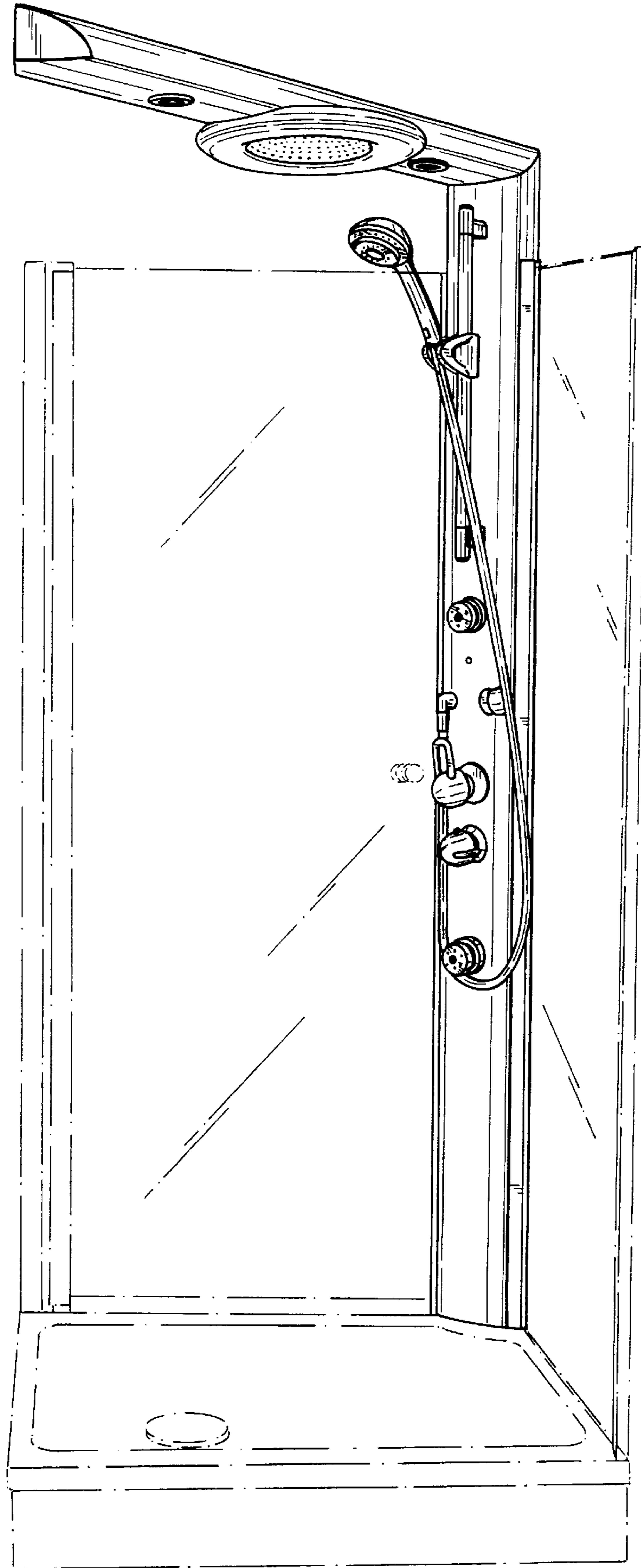


FIG. 2

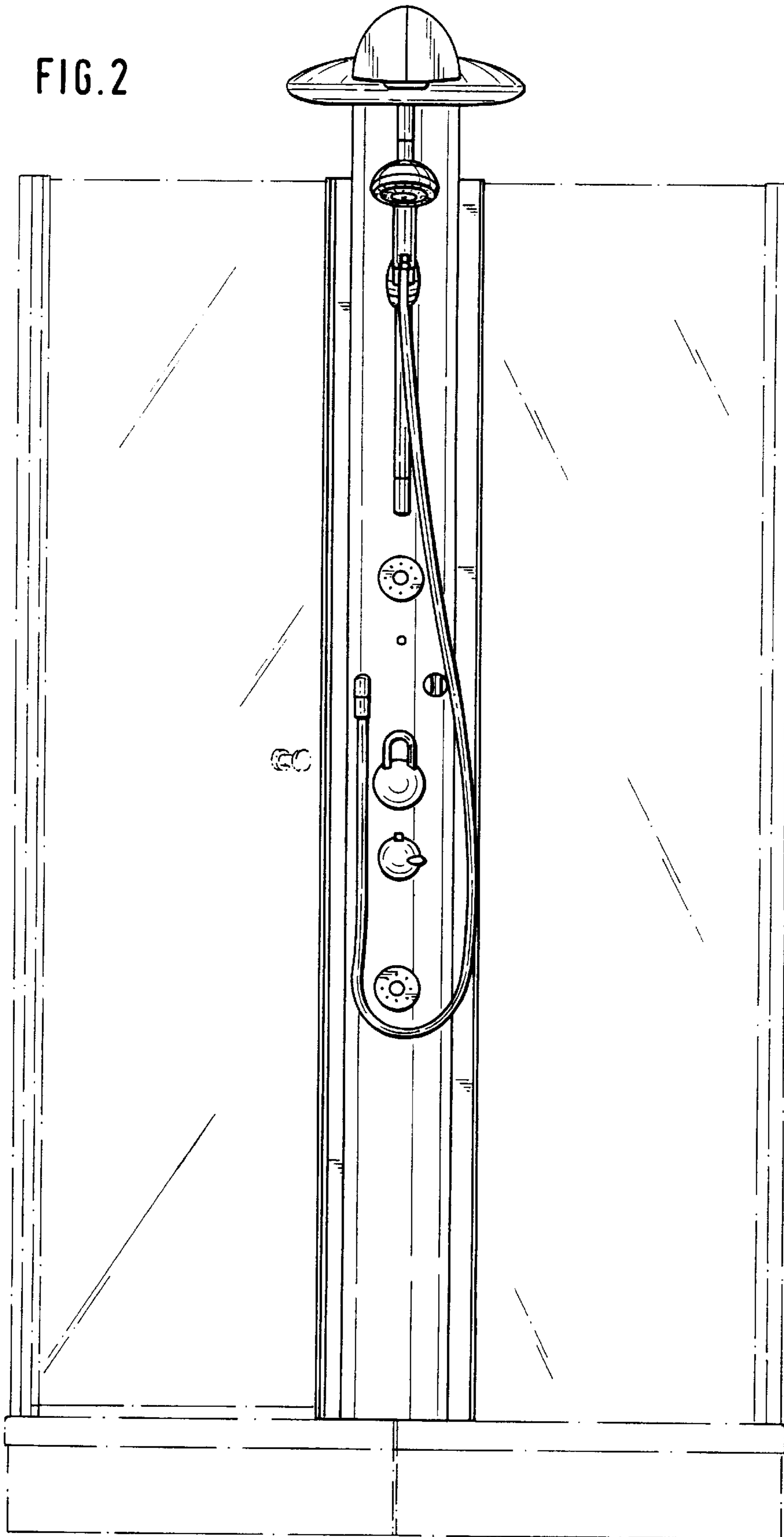
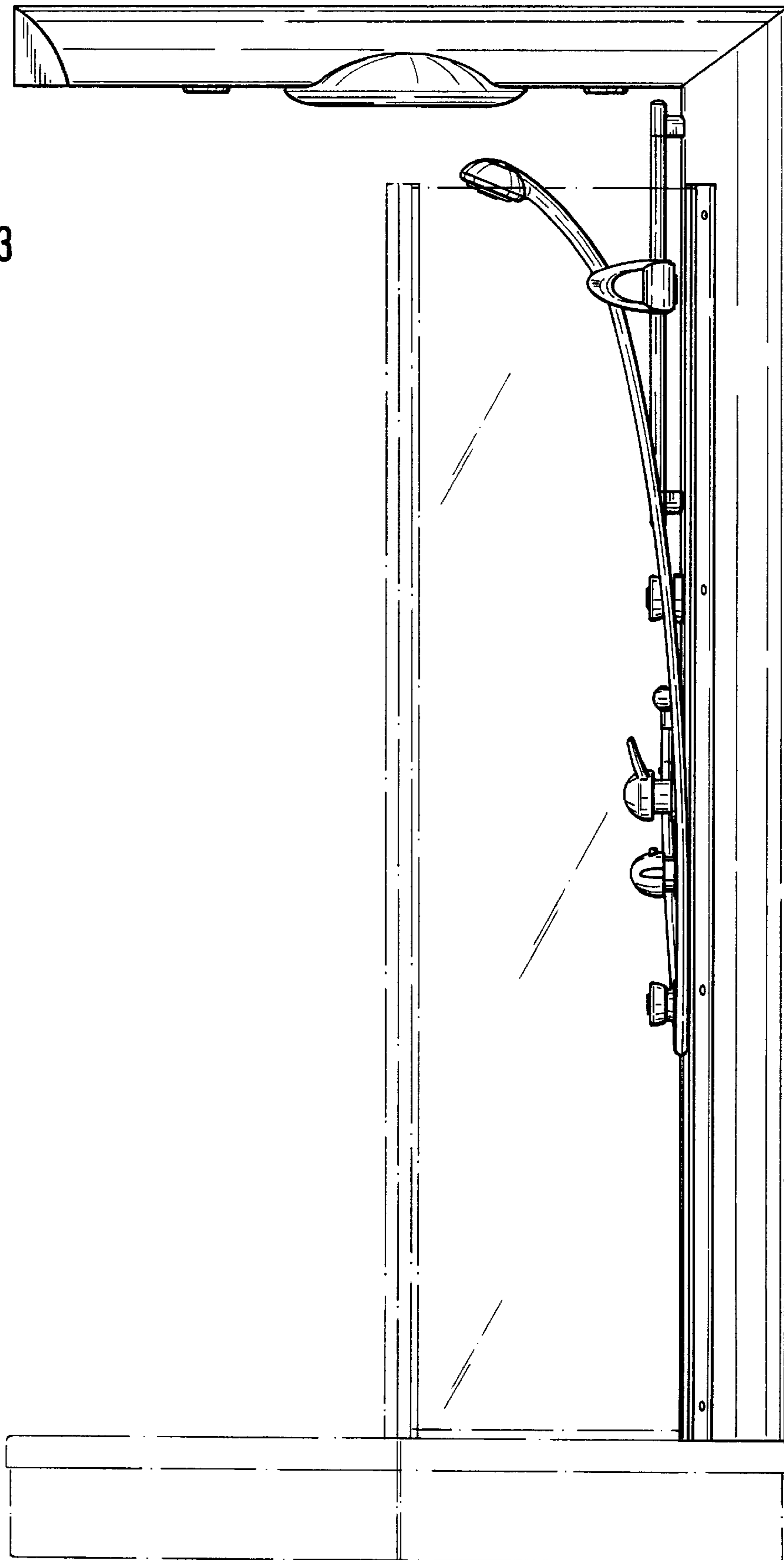


FIG. 3



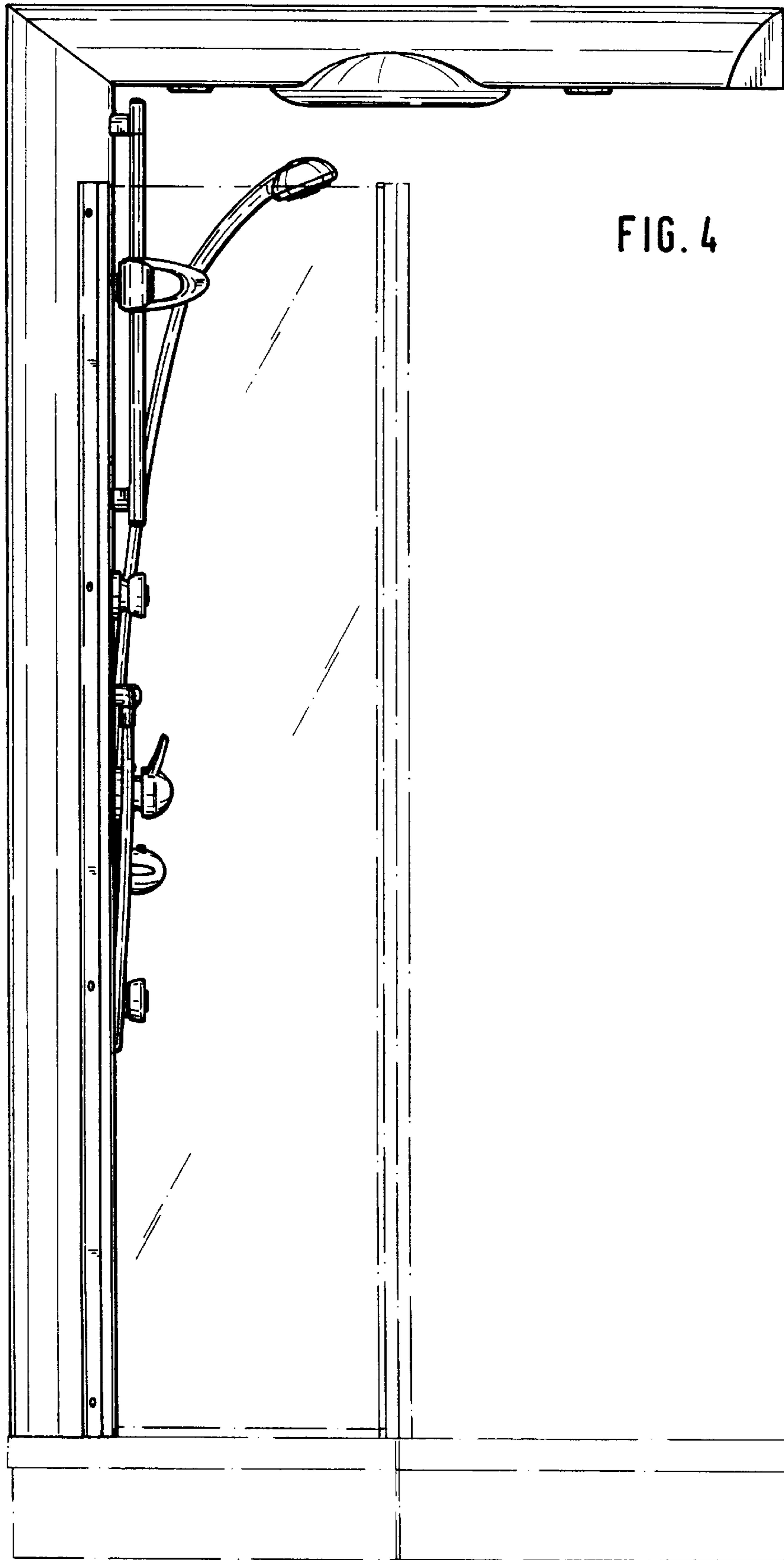
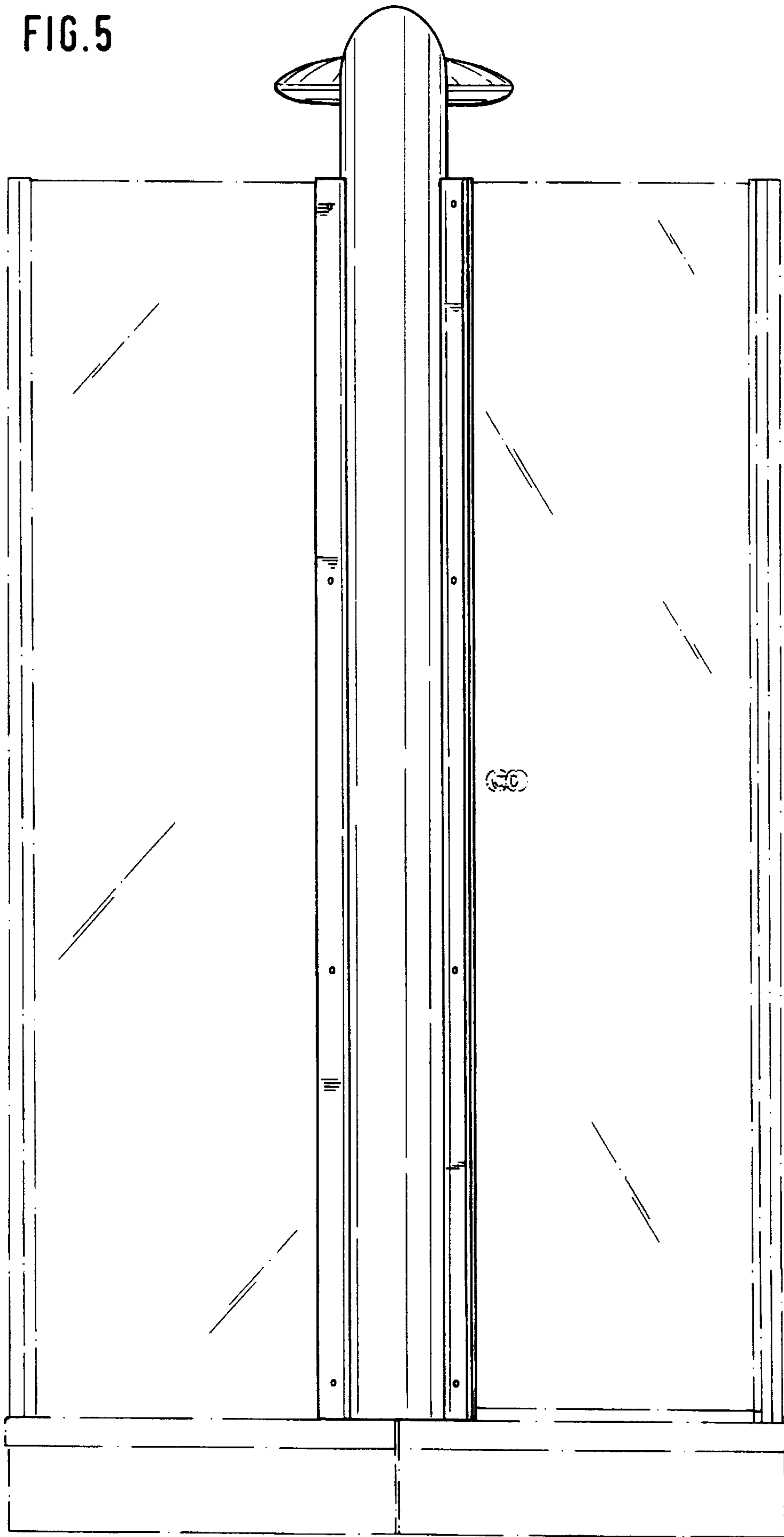


FIG. 4

FIG. 5



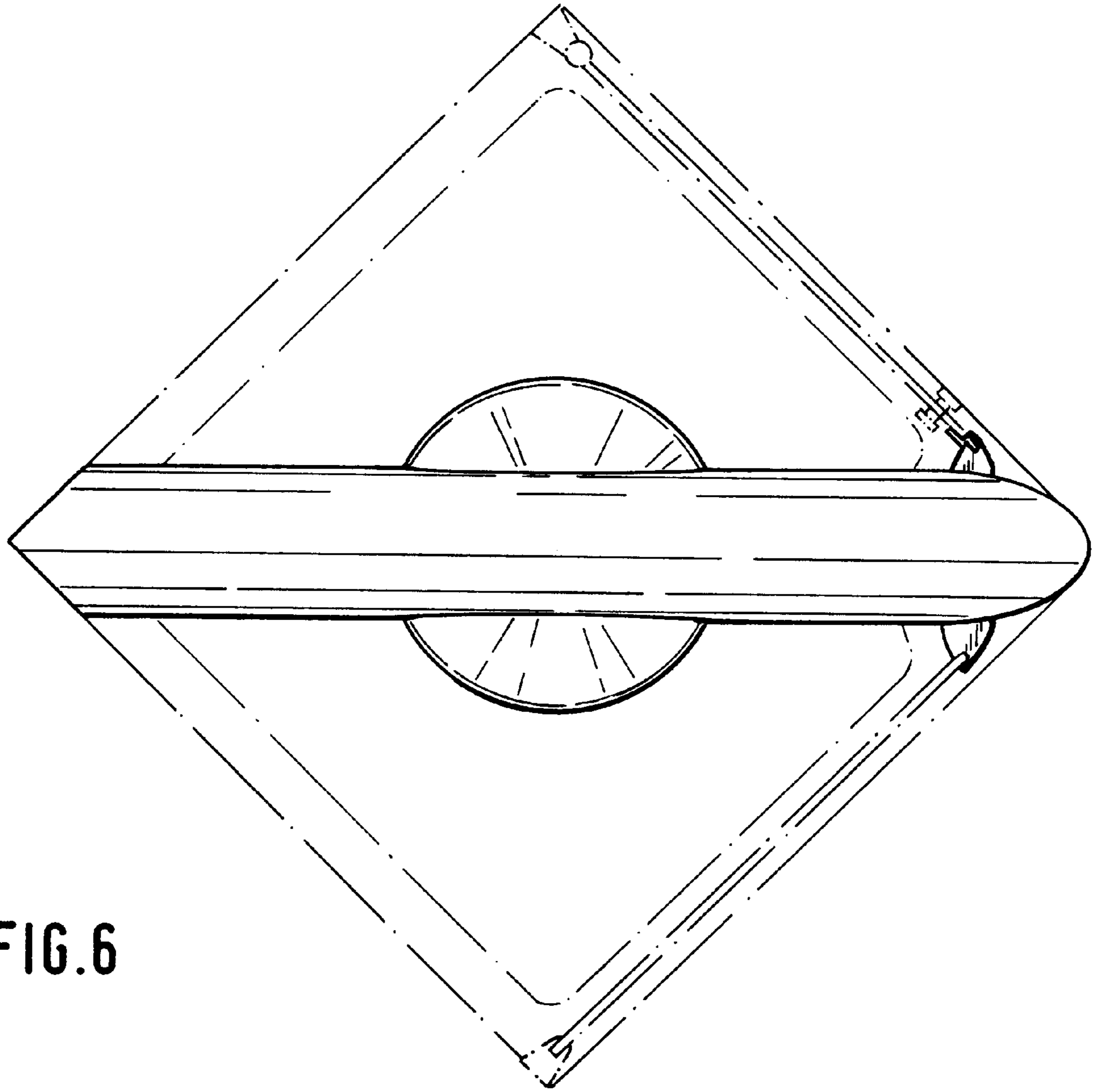


FIG. 6

FIG. 7

