



US00D427292S

# United States Patent [19] Garza

[11] Patent Number: **Des. 427,292**

[45] Date of Patent: **\*\* Jun. 27, 2000**

[54] **BIDET**

[76] Inventor: **Marcelo Garza Laguera Garza,**  
Acambaro No. 459, Col. Cd. Industrial,  
Irapuato, Guanajuato, Mexico, 36541

[\*\*] Term: **14 Years**

[21] Appl. No.: **29/111,325**

[22] Filed: **Sep. 24, 1999**

### [30] Foreign Application Priority Data

Mar. 25, 1999 [MX] Mexico ..... 010958

[51] **LOC (7) Cl.** ..... **23-02**

[52] **U.S. Cl.** ..... **D23/295**

[58] **Field of Search** ..... D23/295-301;  
4/328, 329-430

### [56] References Cited

#### U.S. PATENT DOCUMENTS

D. 268,780	4/1983	Doman et al. ....	D23/301
D. 271,326	11/1983	Doman et al. ....	D23/301
D. 275,514	9/1984	Enthoven ..... ..	D23/301
D. 275,598	9/1984	Stairs, Jr. .... ..	D23/301
D. 310,407	9/1990	Stairs, Jr. .... ..	D23/301
D. 311,242	10/1990	Reid ..... ..	D23/301
D. 323,880	2/1992	McKeone et al. ....	D23/295
D. 345,597	3/1994	Kohler, Jr. et al. ....	D23/301

D. 347,496	5/1994	Wei ..... ..	D23/301
D. 352,996	11/1994	Sim ..... ..	D23/301
D. 353,449	12/1994	Kohler, Jr. et al. ....	D23/295
D. 353,450	12/1994	Anderson et al. ....	D23/301
D. 355,709	2/1995	Osada ..... ..	D23/295
D. 370,720	6/1996	Kaiser ..... ..	D23/301
D. 379,405	5/1997	Shillington ..... ..	D23/295
D. 379,496	5/1997	Kawamura et al. ....	D23/301
D. 381,408	7/1997	Birsel et al. .... ..	D23/301
D. 382,046	8/1997	Birsel et al. .... ..	D23/295
D. 383,833	9/1997	Birsel et al. .... ..	D23/301
D. 384,136	9/1997	Kawamura et al. ....	D23/301

*Primary Examiner*—Eric Watterson

*Attorney, Agent, or Firm*—Bracewell & Patterson, L.L.P.

### [57] CLAIM

The ornamental design for bidet, as shown.

### DESCRIPTION

FIG. 1 is an isometric view of the ornamental design for a bidet according to the present invention.

FIG. 2 is a top elevation view of the bidet of FIG. 1.

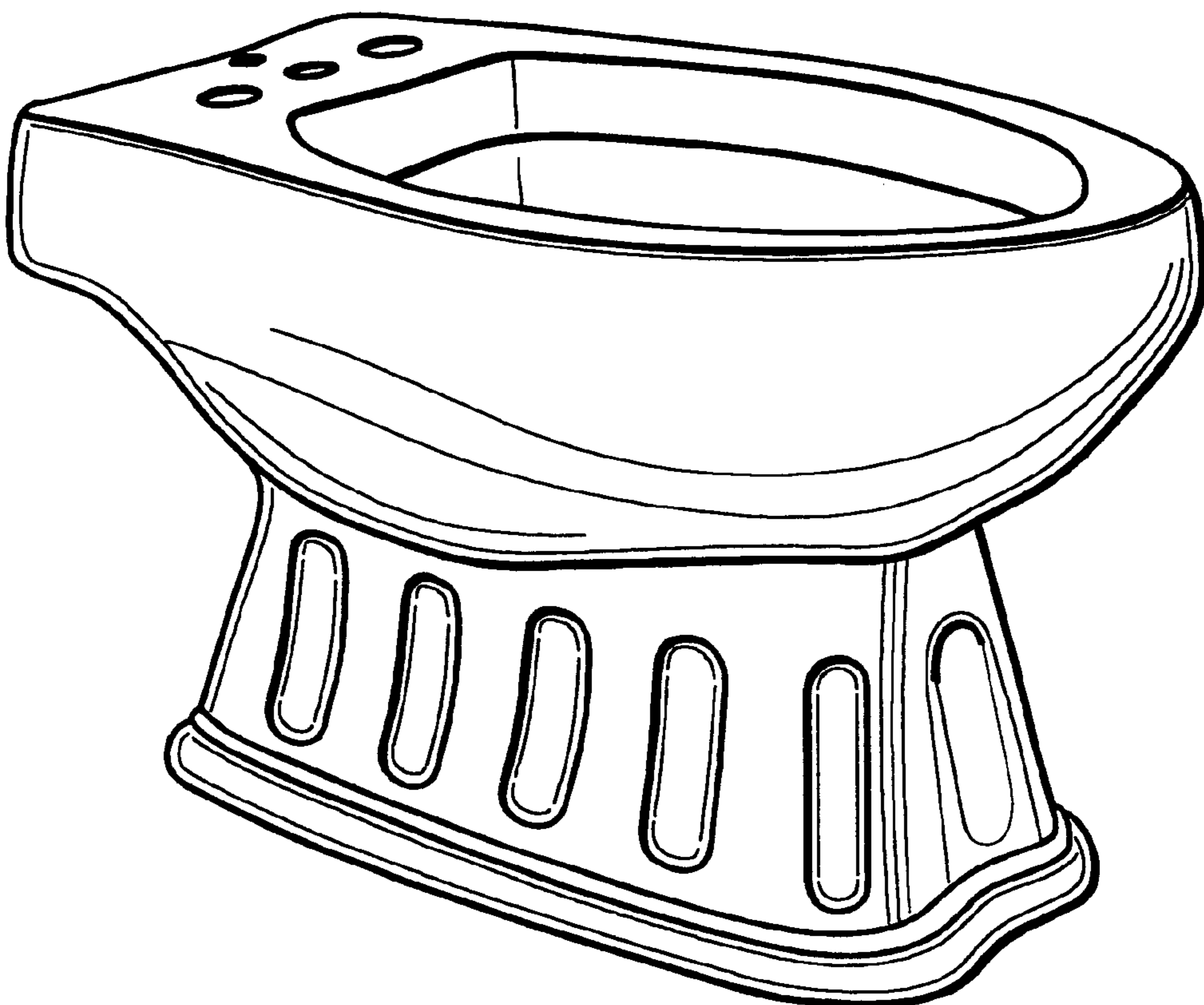
FIG. 3 is a front plan view of the bidet of FIG. 1.

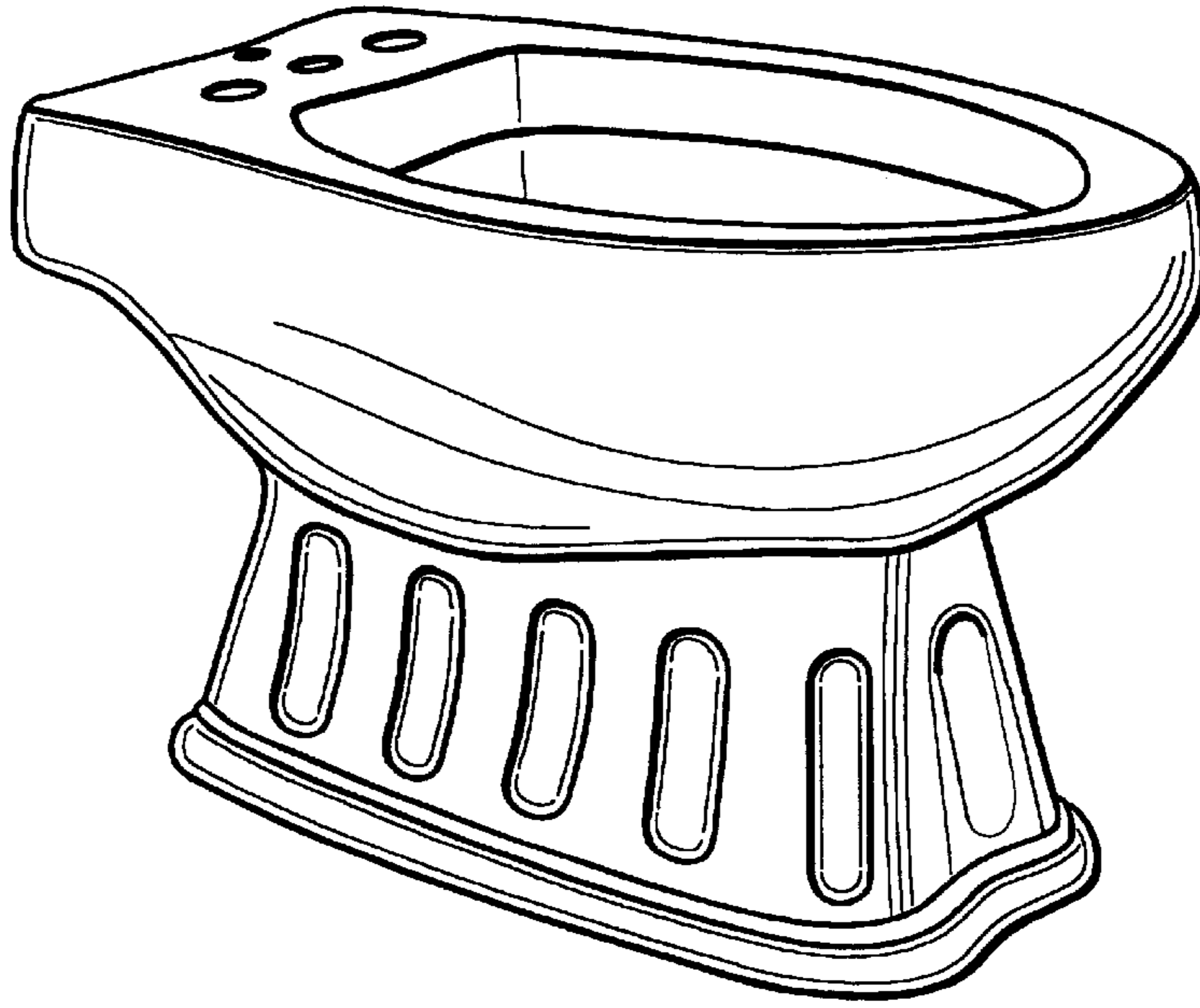
FIG. 4 is a left side elevation view of the bidet of FIG. 1; and,

FIG. 5 is a right side elevation view of the bidet of FIG. 1.

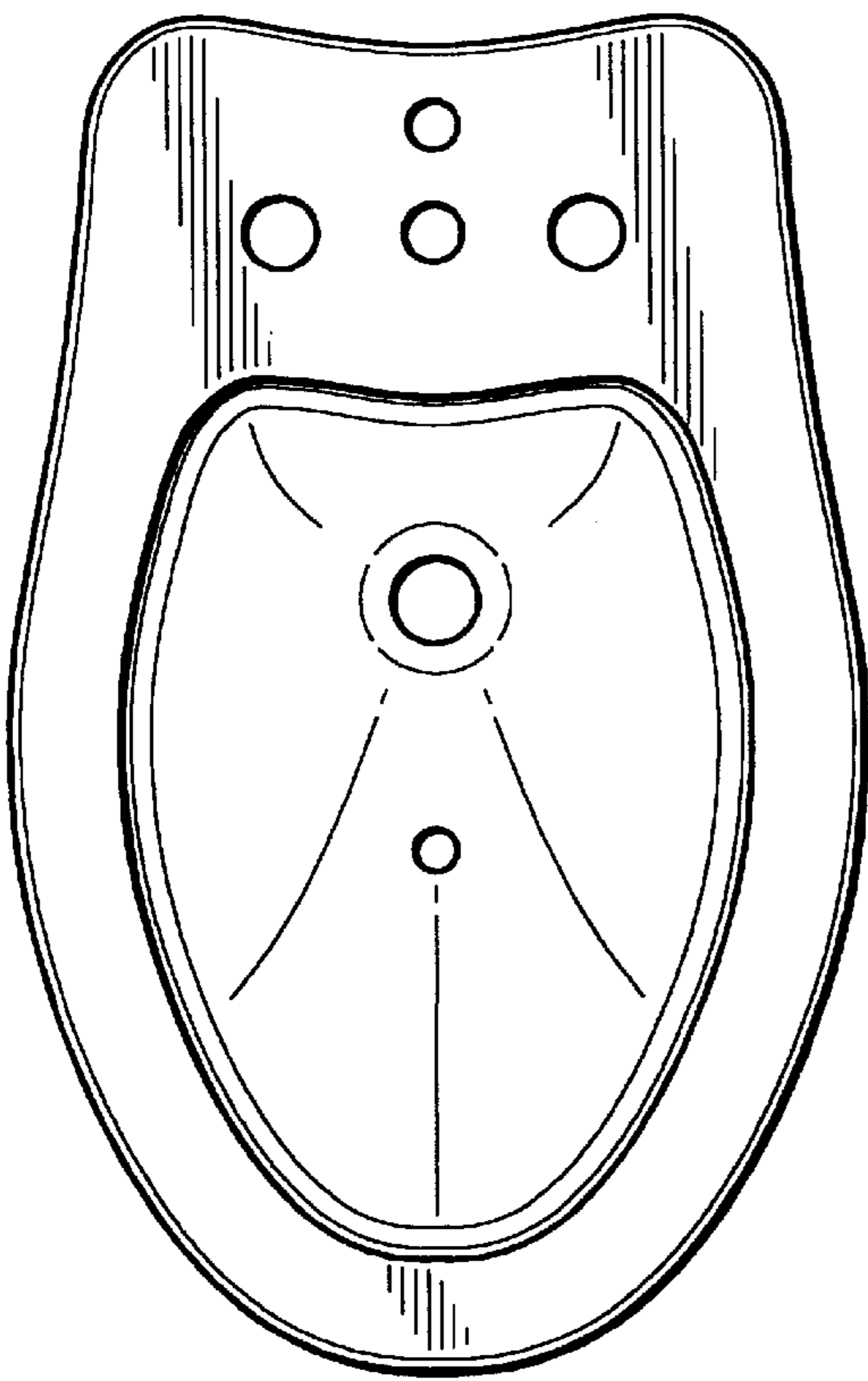
The bottom view of the bidet of FIG. 1 is plain and unornamental.

**1 Claim, 2 Drawing Sheets**

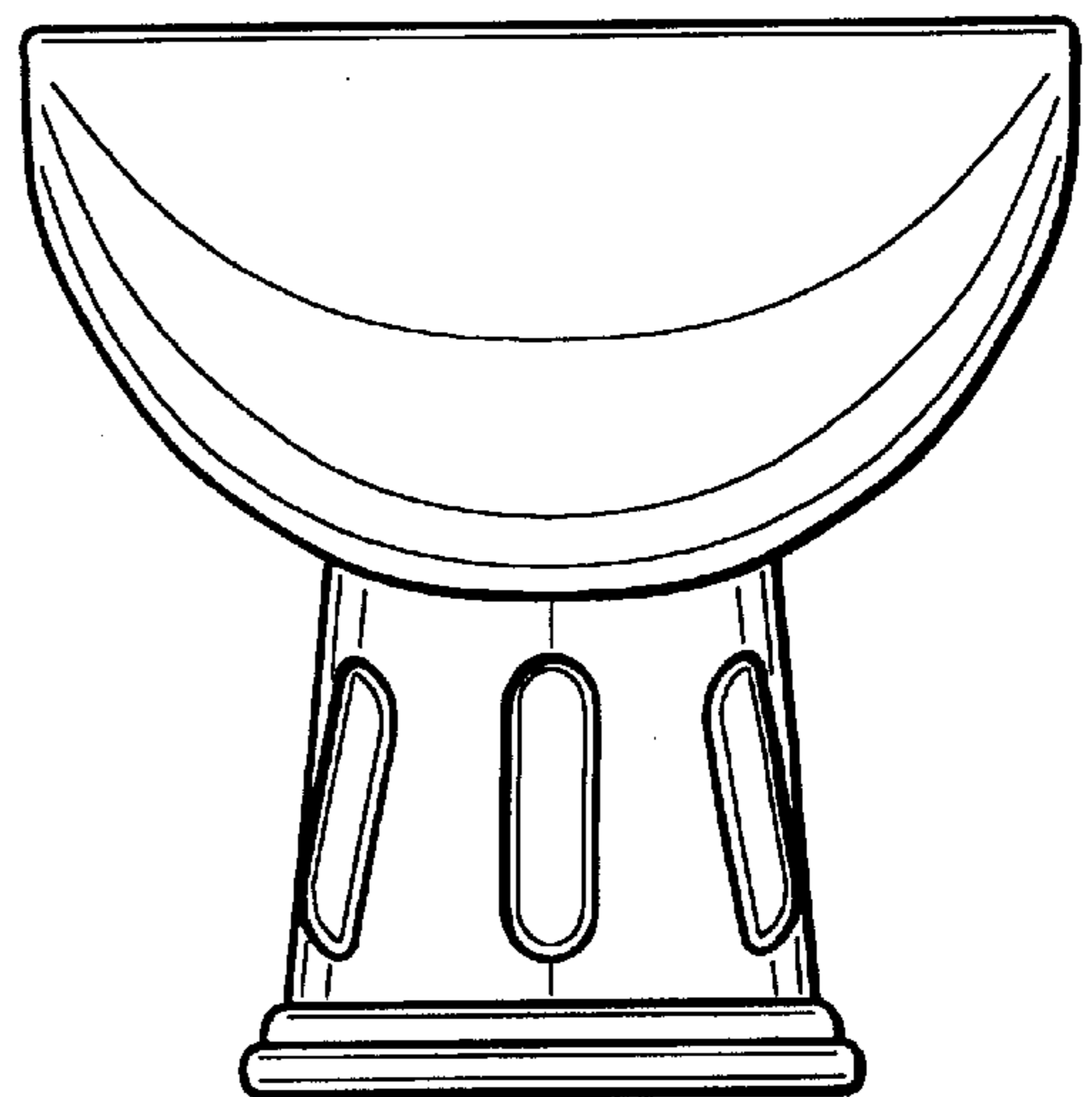




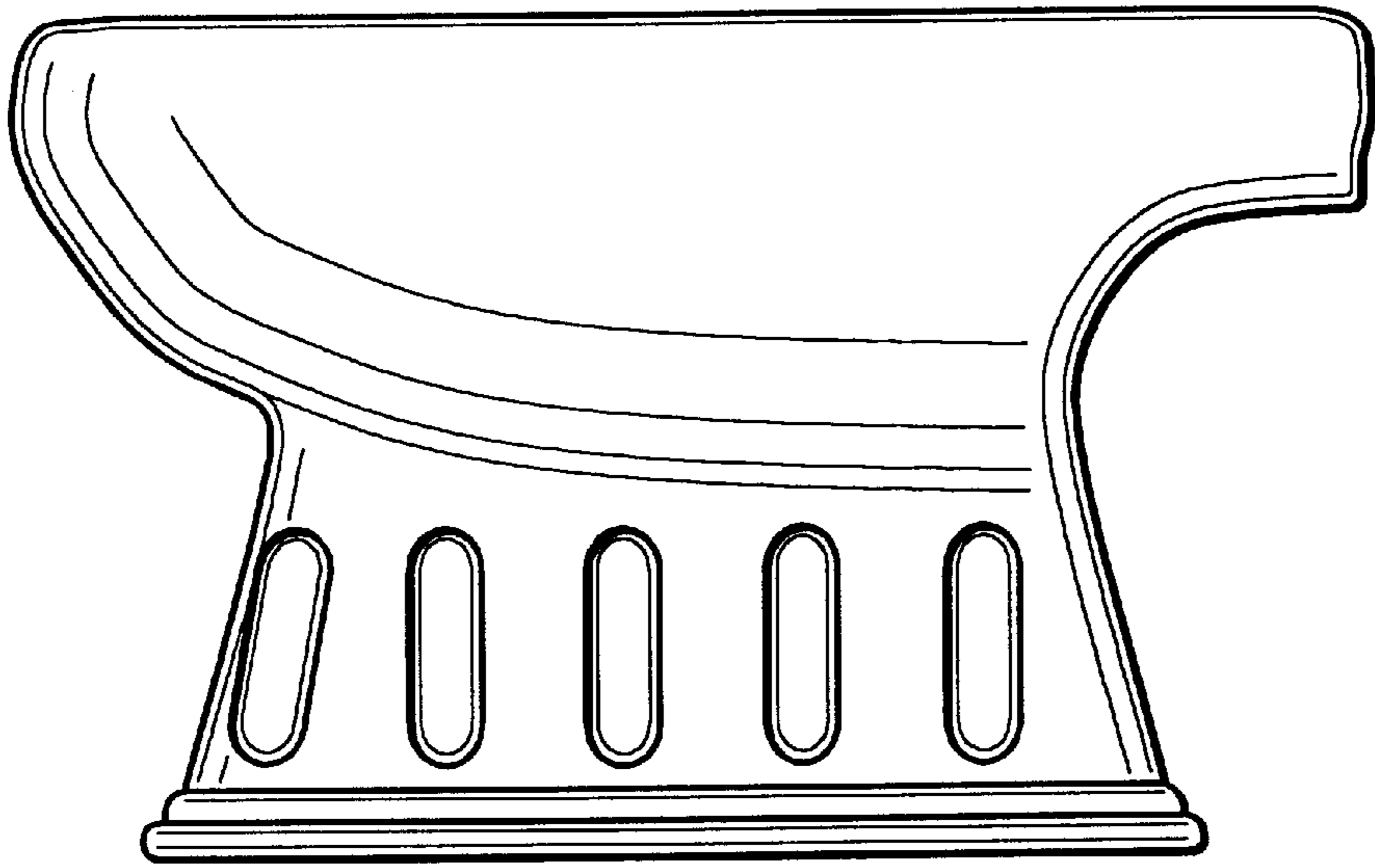
**FIG. 1**



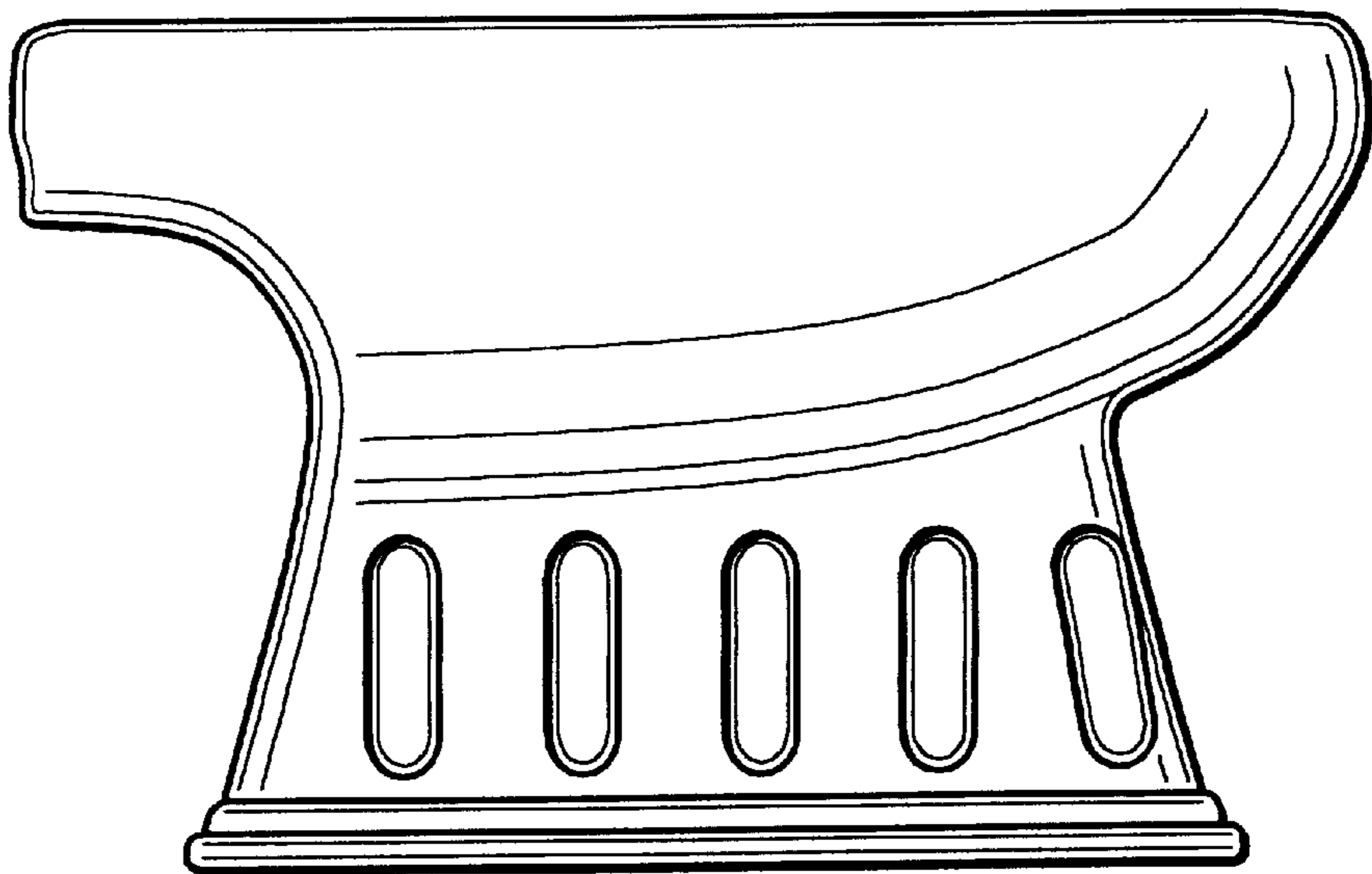
**FIG. 2**



**FIG. 3**



**FIG. 4**



**FIG. 5**