



US00D427287S

United States Patent [19]

Wei et al.

[11] **Patent Number: Des. 427,287**

[45] **Date of Patent: ** Jun. 27, 2000**

[54] **TWO-PIECE FAUCET**

D. 415,826 10/1999 Costello et al. D23/255

[76] Inventors: **Ming-Te Wei**, No. 16>Da-Ming Rd, Shen-Kang Hsiang, Taichung Hoen; **Chin-Tang Hsieh**, No. 515-Liao Tsuo Li Lukang, Changhua, both of Taiwan; **Philip F. Friedrich**, 624 Lakeside Dr., Fullerton, Calif. 92836

OTHER PUBLICATIONS

Americal Standard Catalog, from the examiner's collection, p. J-2 Ceramix Single Control Kitchen Combi Faucet, Dec. 1992.

Sterling Catalog, from the examiner's collection, no page no. Spec sheet for Single Control Kitchen Faucet With Pull-Out Spray Spout 074 Series, Dec. 1992.

[**] Term: **14 Years**

Primary Examiner—Louis S. Zarfes

Assistant Examiner—Greg Andoll

[21] Appl. No.: **29/114,217**

[22] Filed: **Nov. 22, 1999**

[57] CLAIM

[51] **LOC (7) Cl.** **23-01**

[52] **U.S. Cl.** **D23/238**

[58] **Field of Search** D23/238-243, D23/250-257; 4/675-678; 137/801

We claim the ornamental design for a two-piece faucet, as shown and described.

DESCRIPTION

[56] References Cited

U.S. PATENT DOCUMENTS

D. 213,874	4/1969	Landell et al.	D23/238
D. 290,492	6/1987	Hill et al.	D23/238
D. 344,127	2/1994	Carr et al.	D23/238
D. 368,764	4/1996	Hill et al.	D23/238
D. 396,092	7/1998	Haug et al.	D23/238
D. 412,558	8/1999	Lord	D23/238
D. 412,969	8/1999	Brattoli et al.	D23/255

FIG. 1 is a perspective generally isometric view of our two-piece faucet.

FIG. 2 is a top plan view of the invention.

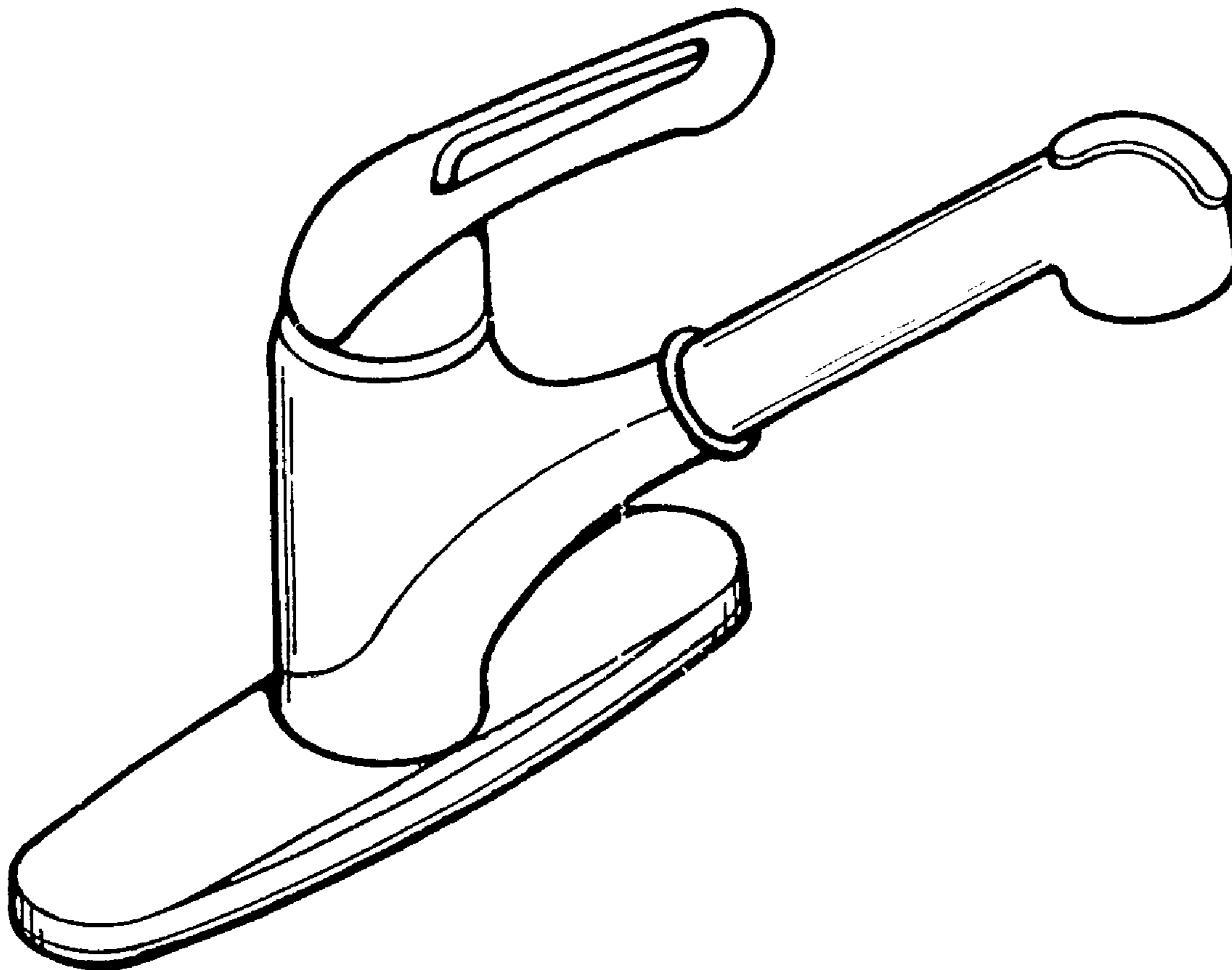
FIG. 3 is a front elevational view of the invention.

FIG. 4 is a side elevational view of the invention, the opposite side being a mirror image of this side view.

FIG. 5 is a rear elevational view of the invention; and,

FIG. 6 is a bottom plan view of the invention.

1 Claim, 1 Drawing Sheet



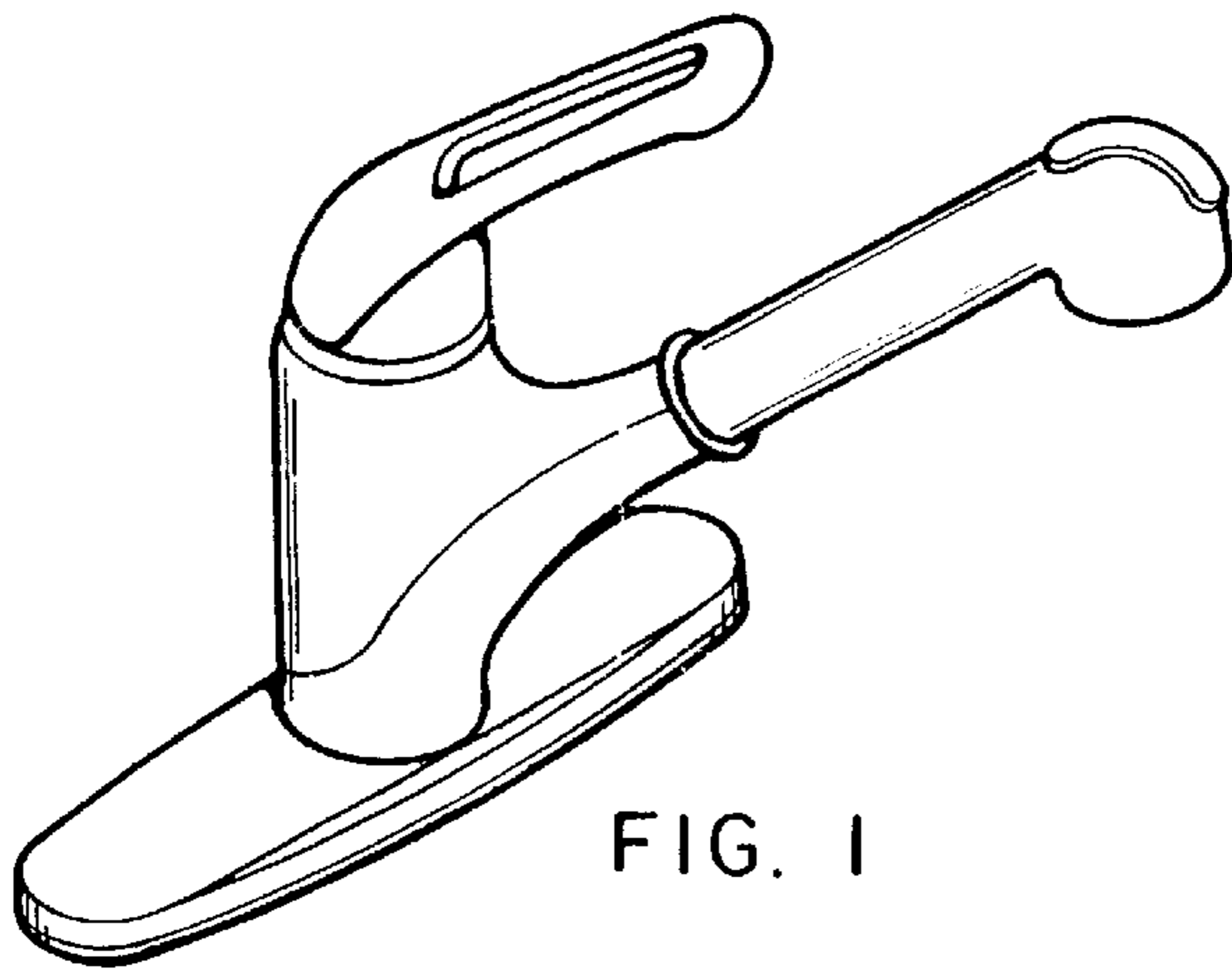


FIG. 1

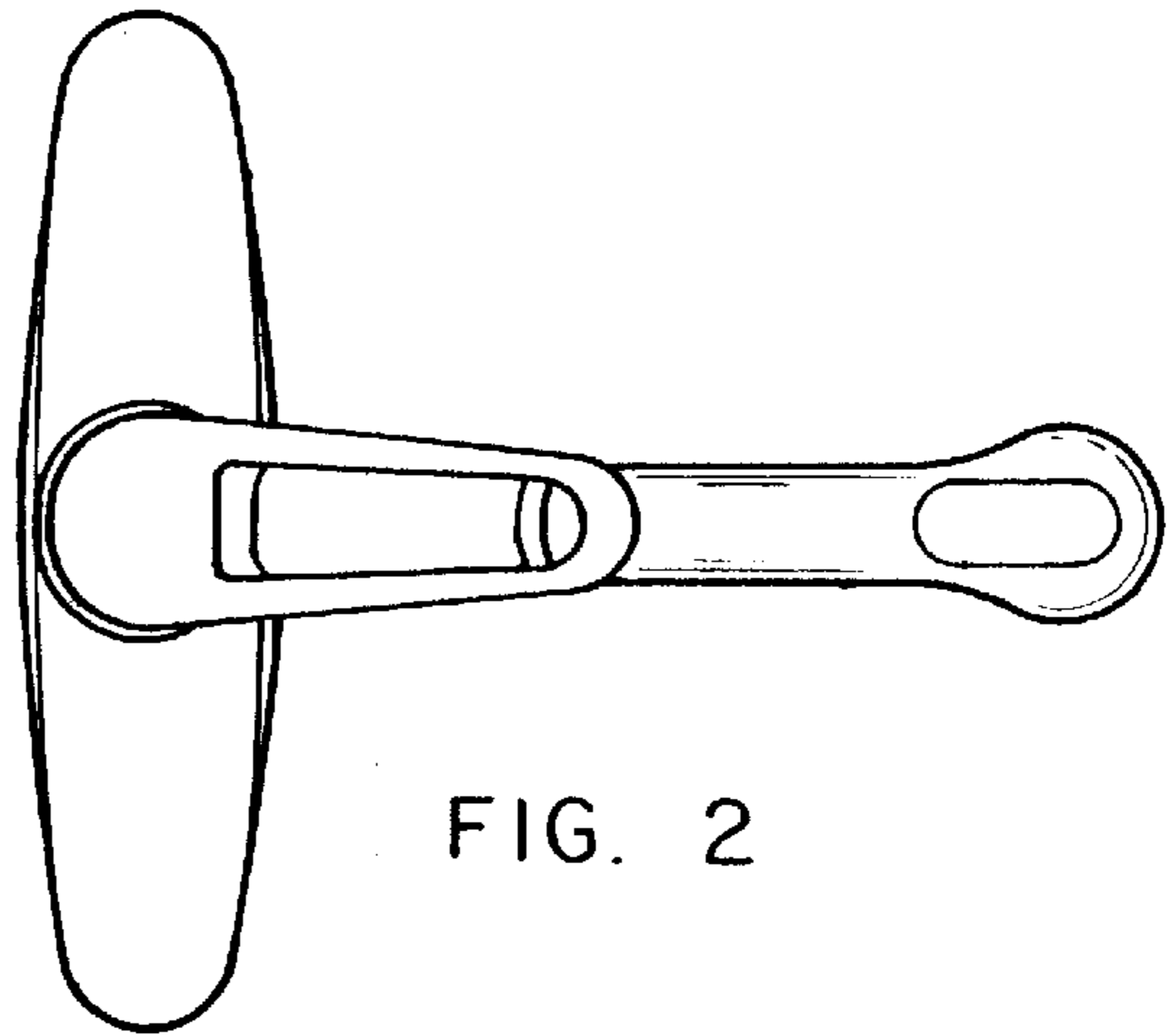


FIG. 2

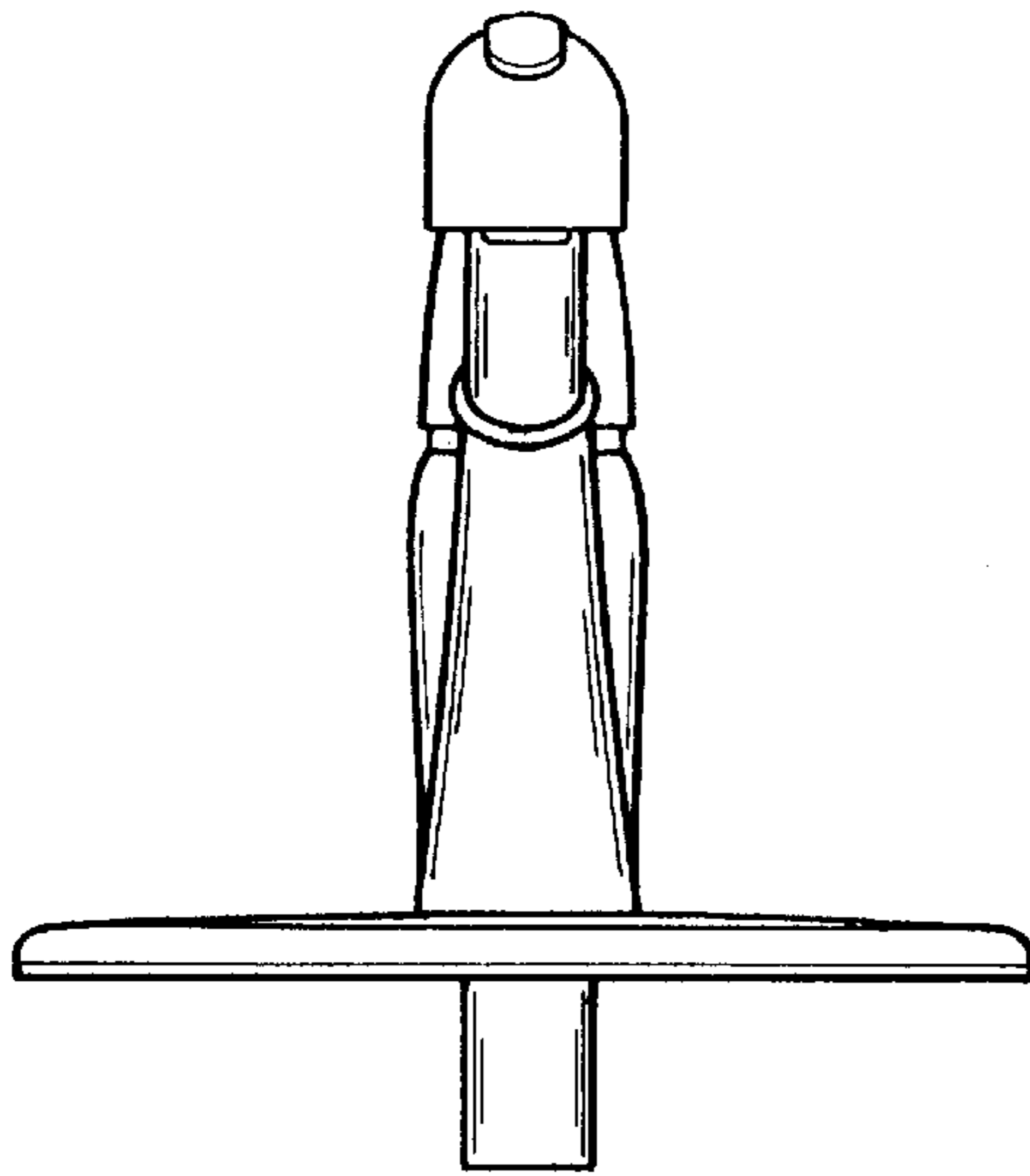


FIG. 3

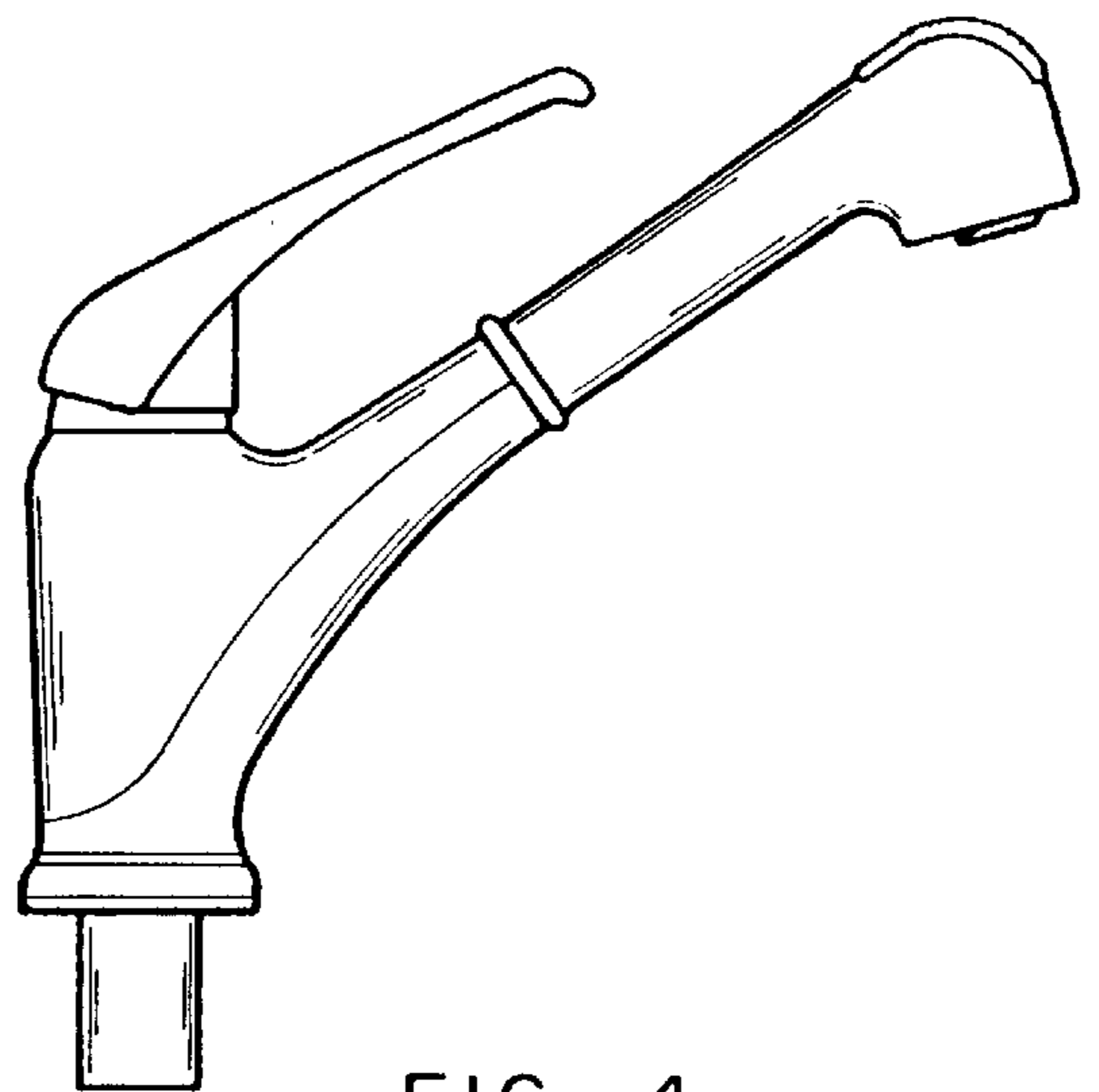


FIG. 4

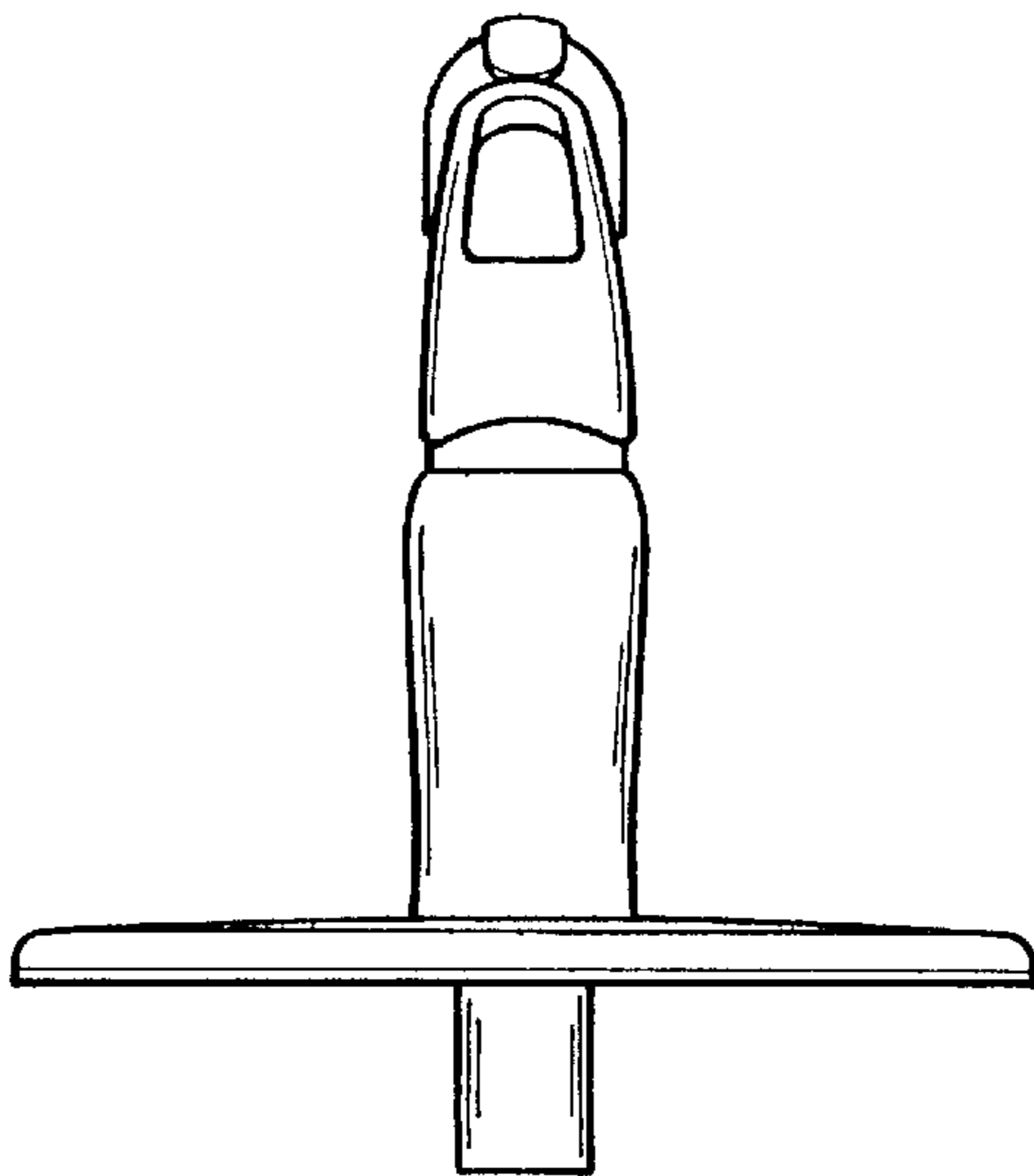


FIG. 5

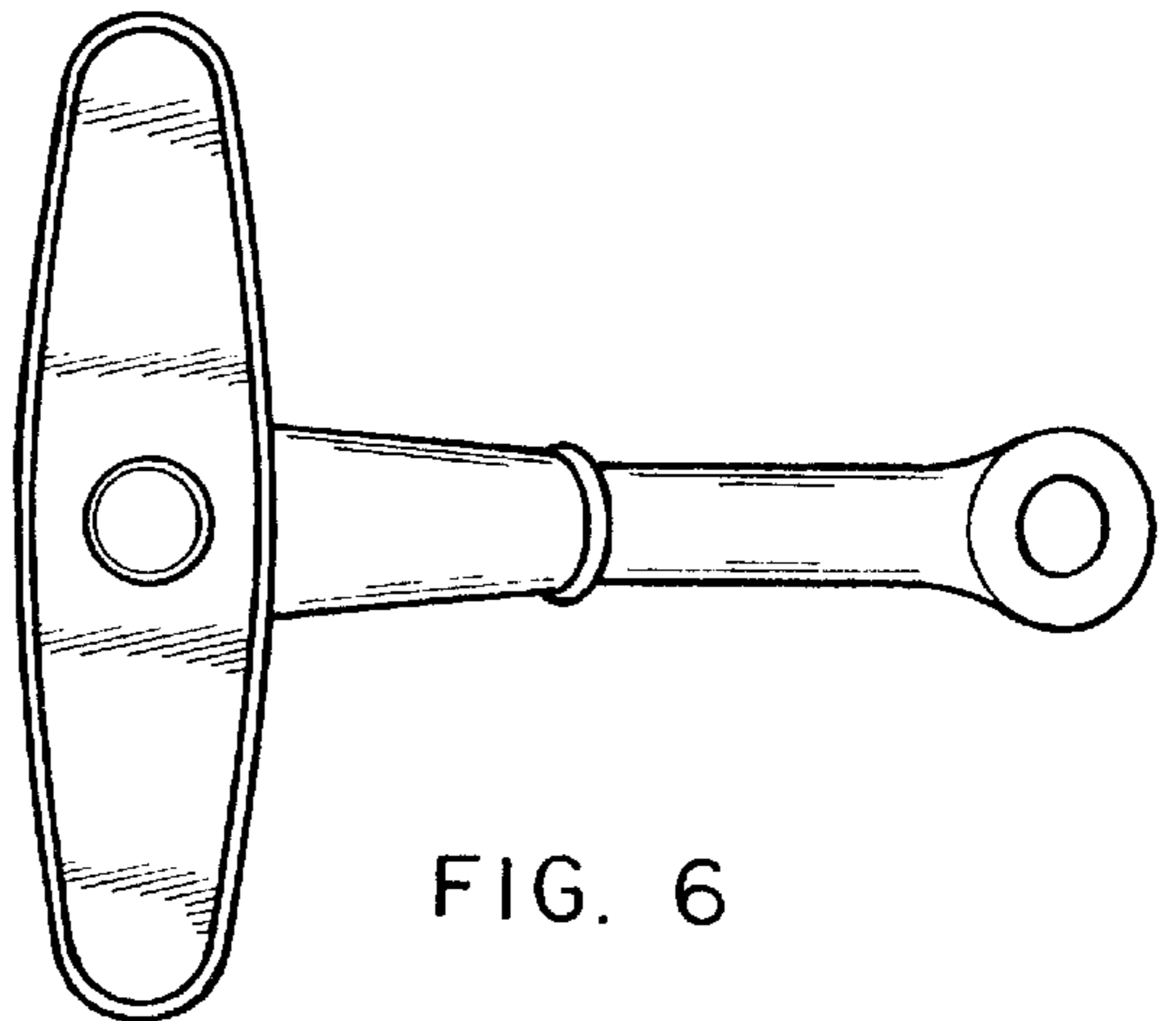


FIG. 6