



US00D427286S

United States Patent [19]
Ballanco

[11] **Patent Number: Des. 427,286**
[45] **Date of Patent: ** Jun. 27, 2000**

[54] **AIR ADMITTANCE VALVE**

[76] Inventor: **Julius Ballanco**, 1661 Cardinal Dr.,
Munster, Ind. 46321

[**] Term: **14 Years**

[21] Appl. No.: **29/105,556**

[22] Filed: **May 25, 1999**

[51] **LOC (7) Cl.** **23-01**

[52] **U.S. Cl.** **D23/235**

[58] **Field of Search** **D23/233-237,**
D23/244; 137/526, 216.2

4,556,084 12/1985 Frawley .
4,867,802 9/1989 Earl .
5,048,562 9/1991 Frawley .
5,273,068 12/1993 Duren .

FOREIGN PATENT DOCUMENTS

2164128 3/1986 United Kingdom .

Primary Examiner—Robin V. Taylor
Attorney, Agent, or Firm—Dowell & Dowell, P.C.

[57] **CLAIM**

The ornamental design for an air admittance valve, as shown and described.

DESCRIPTION

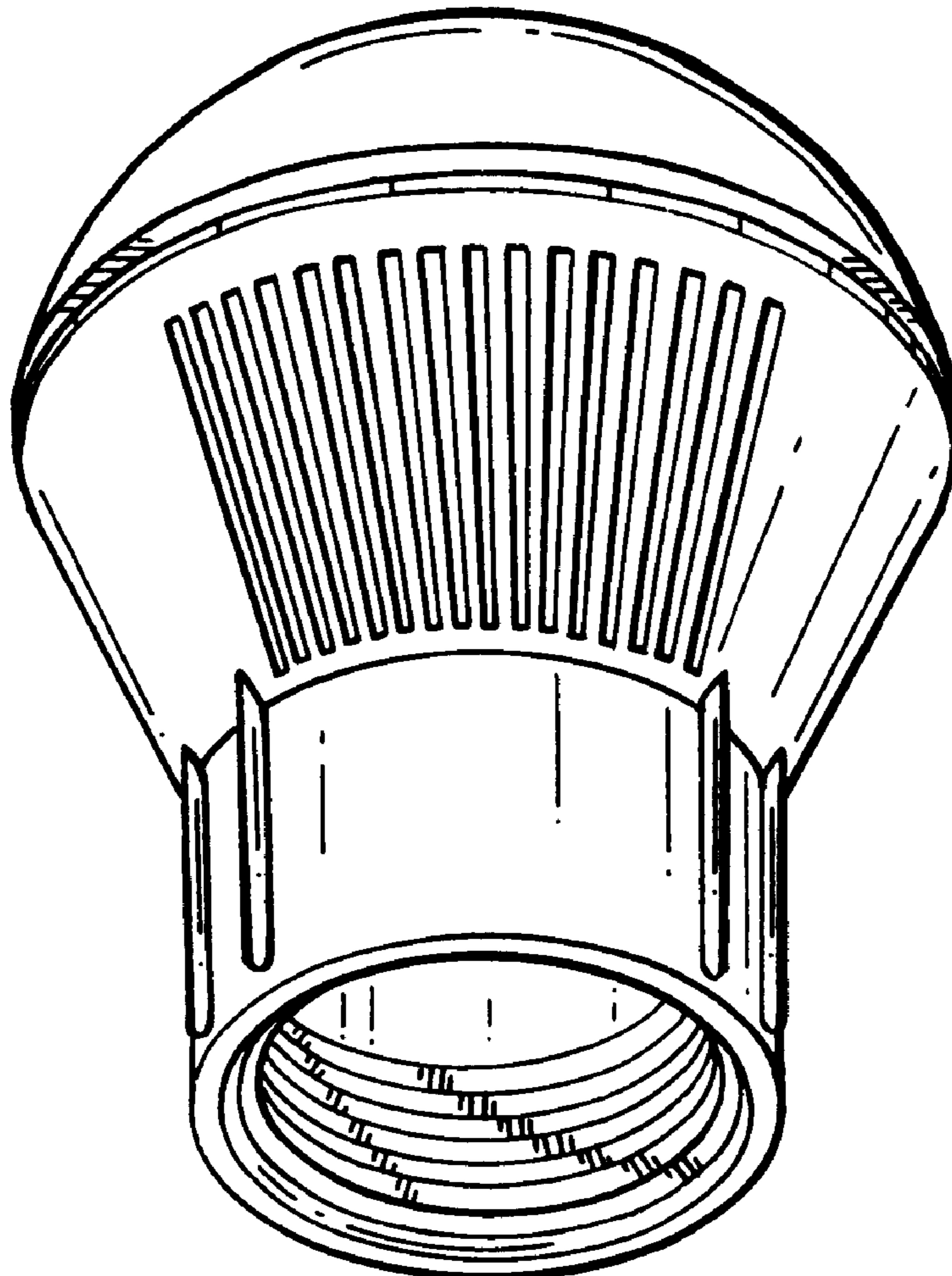
FIG. 1 is a front perspective view of an air admittance valve showing my new design;
FIG. 2 is a front plan view;
FIG. 3 is top plan view;
FIG. 4 is a bottom plan view; and,
FIG. 5 is a left side view, a view from the right side being a mirror image.

1 Claim, 2 Drawing Sheets

[56] **References Cited**

U.S. PATENT DOCUMENTS

D. 299,950	2/1989	Canaan et al.	D23/233
D. 321,748	11/1991	Brito	D23/235
1,996,291	4/1935	Haas	D23/237
2,371,449	3/1945	Langdon	137/526
3,923,081	12/1975	Persson .	
4,436,107	3/1984	Persson .	
4,535,807	8/1985	Ericson .	



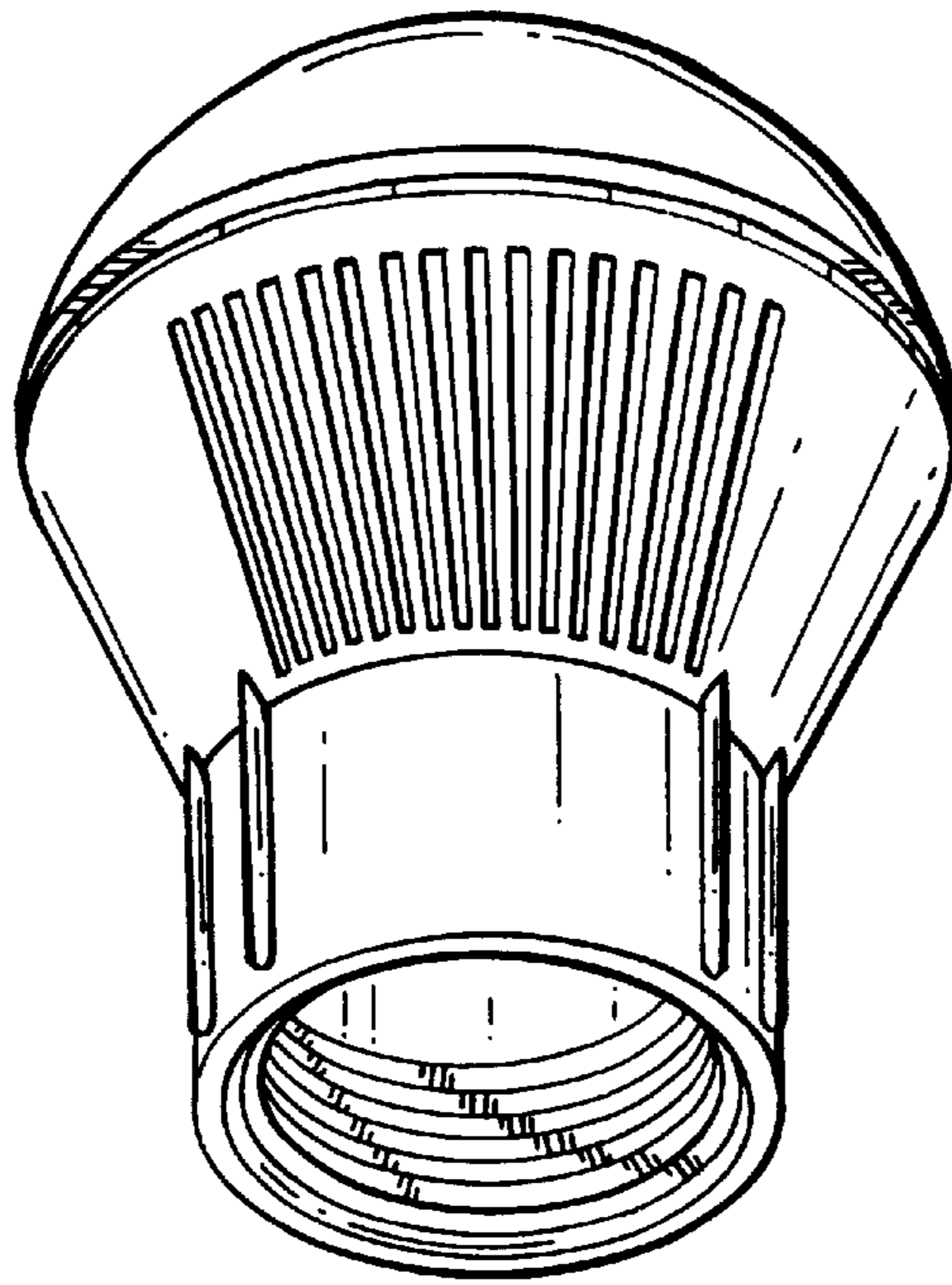


FIG. 1

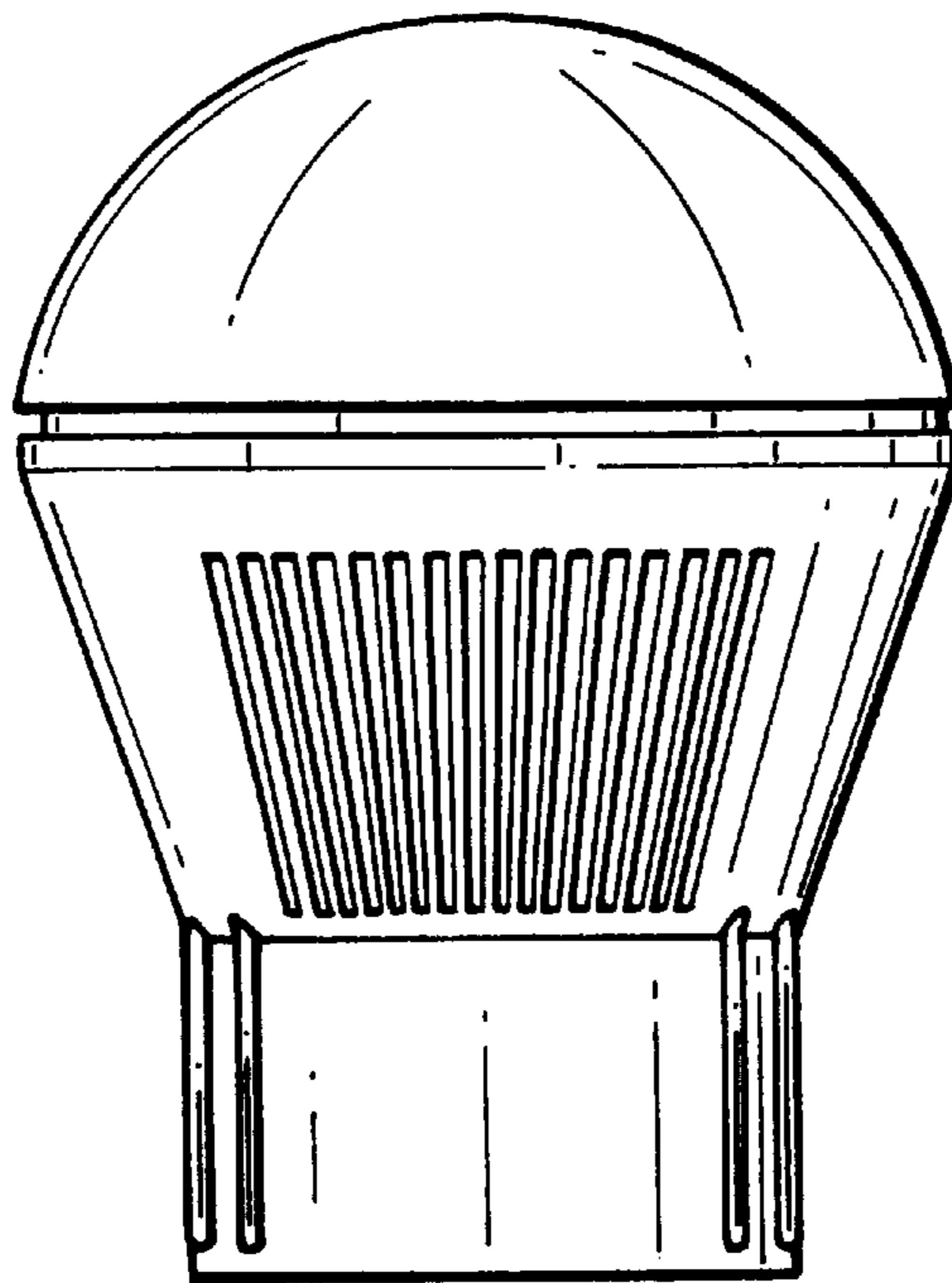


FIG. 2

FIG. 3

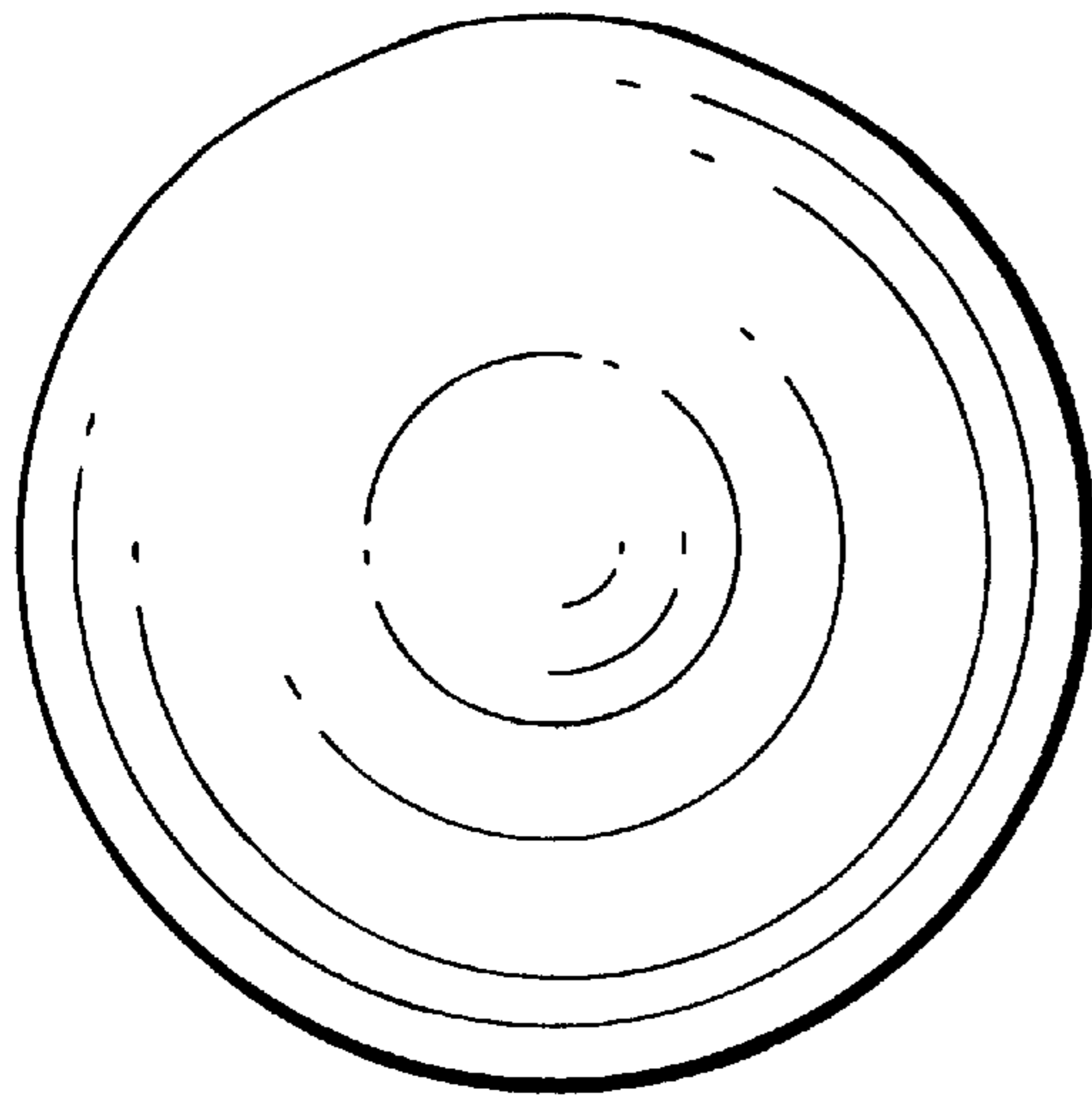


FIG. 4

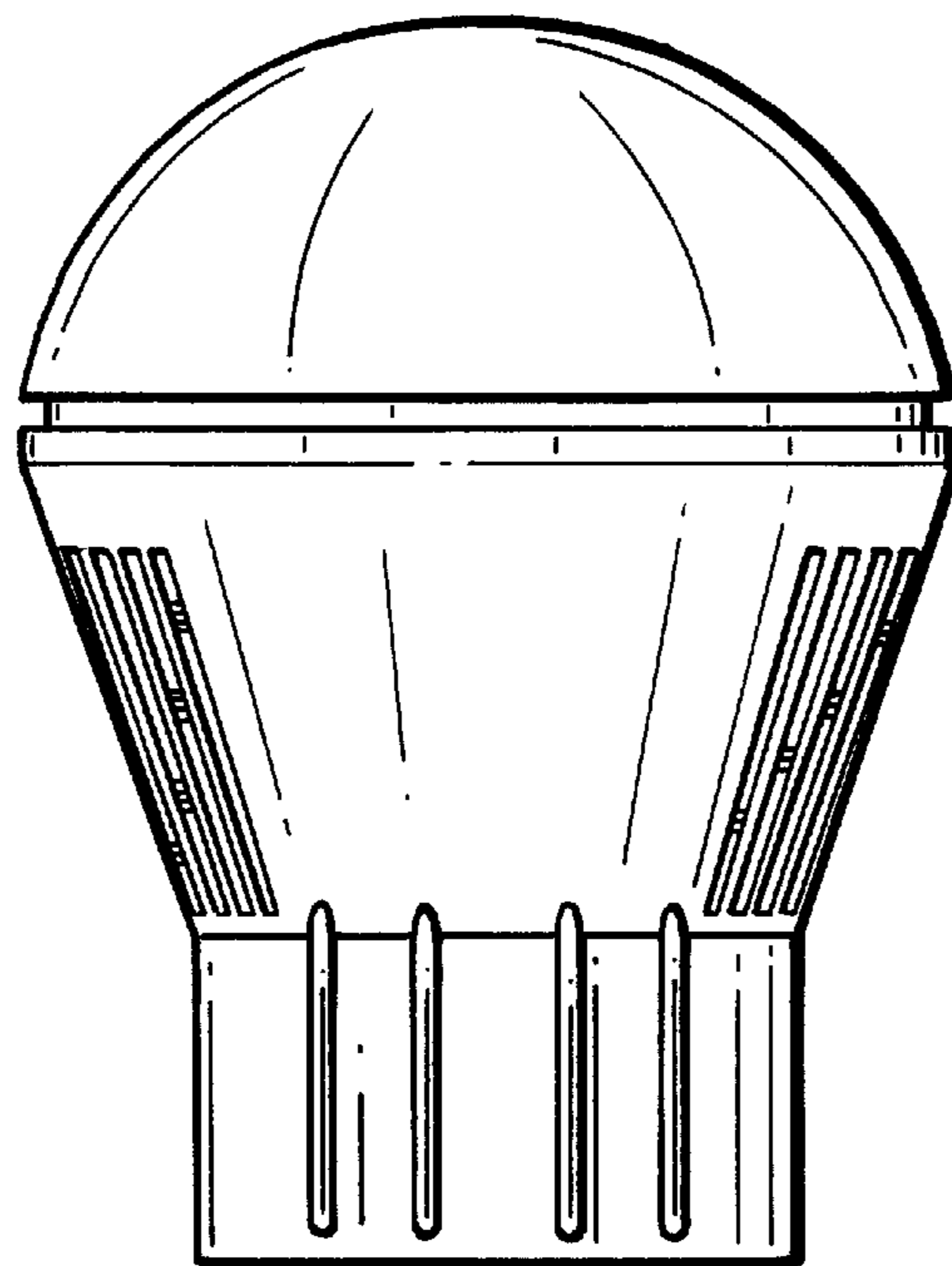
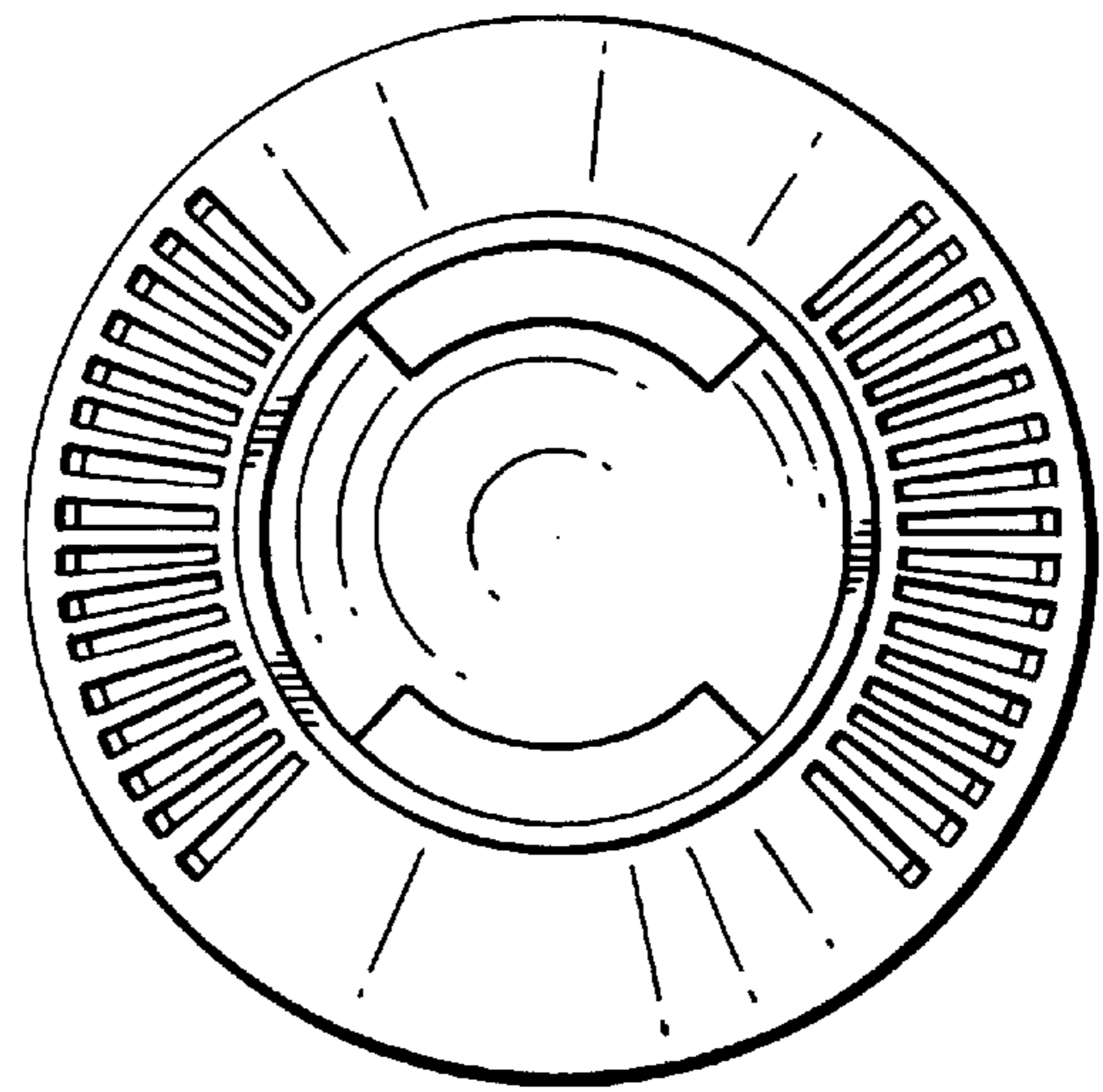


FIG. 5