



US00D427284S

# United States Patent [19]

Sato et al.

[11] Patent Number: Des. 427,284

[45] Date of Patent: \*\* Jun. 27, 2000

[54] PORT BLOCK FOR VALVE PIPING

[75] Inventors: Hideharu Sato; Takumi Matsumoto, both of Ibaraki, Japan

[73] Assignee: SMC Corporation, Tokyo, Japan

[\*\*] Term: 14 Years

[21] Appl. No.: 29/094,745

[22] Filed: Oct. 9, 1998

### [30] Foreign Application Priority Data

Apr. 13, 1998 [JP] Japan ..... 10-10530

[51] LOC (7) Cl. .... 23-01

[52] U.S. Cl. .... D23/233

[58] Field of Search ..... D23/233-237, D23/244-249; 137/271, 343, 272, 884

### [56] References Cited

#### U.S. PATENT DOCUMENTS

5,529,088	6/1996	Asou	137/343
5,706,858	1/1998	Miyazoe et al.	137/884
5,725,255	3/1998	Hayashi et al.	285/26

#### OTHER PUBLICATIONS

The design of the present application was displayed at IFPEX '87 Exhibition—Oct. 21-24, 1997. IFPEX '97 Catalogue, issued on Oct. 13, 1997.

Primary Examiner—Eric Watterson  
Attorney, Agent, or Firm—Oblon, Spivak, McClelland, Maier & Neustadt, P.C.

### [57] CLAIM

The ornamental design for port block for valve piping, as shown and described.

### DESCRIPTION

FIG. 1 is a top, front and left side perspective view of port block for valve piping embodying our new design;

FIG. 2 is a front elevational view thereof;

FIG. 3 is a rear elevational view thereof;

FIG. 4 is a left side elevational view thereof;

FIG. 5 is a right side elevational view thereof;

FIG. 6 is a top plan view thereof;

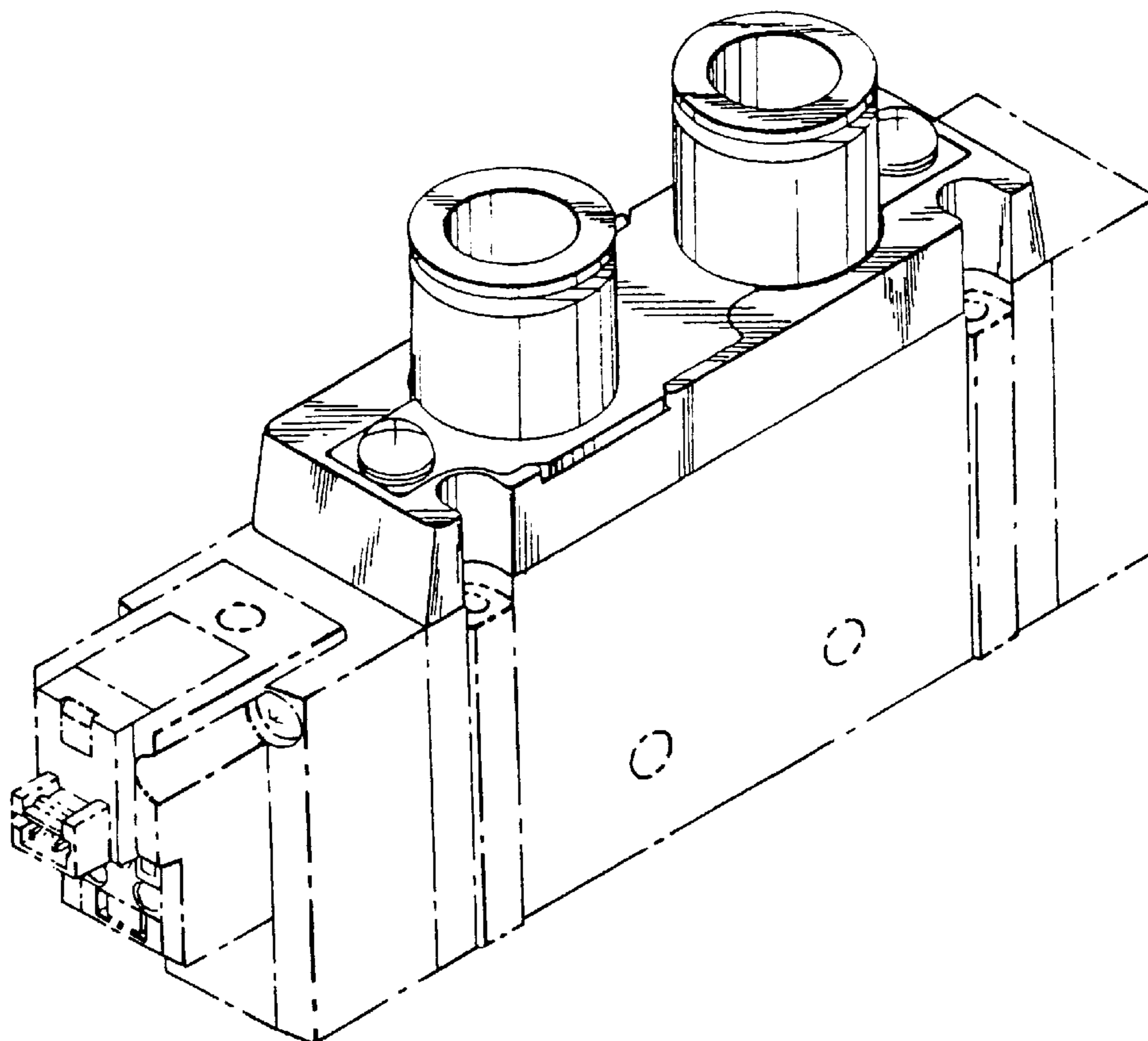
FIG. 7 is a bottom plan view thereof;

FIG. 8 is a top, front and left side perspective view thereof showing the individual components of the port block for valve piping in an exploded manner; and,

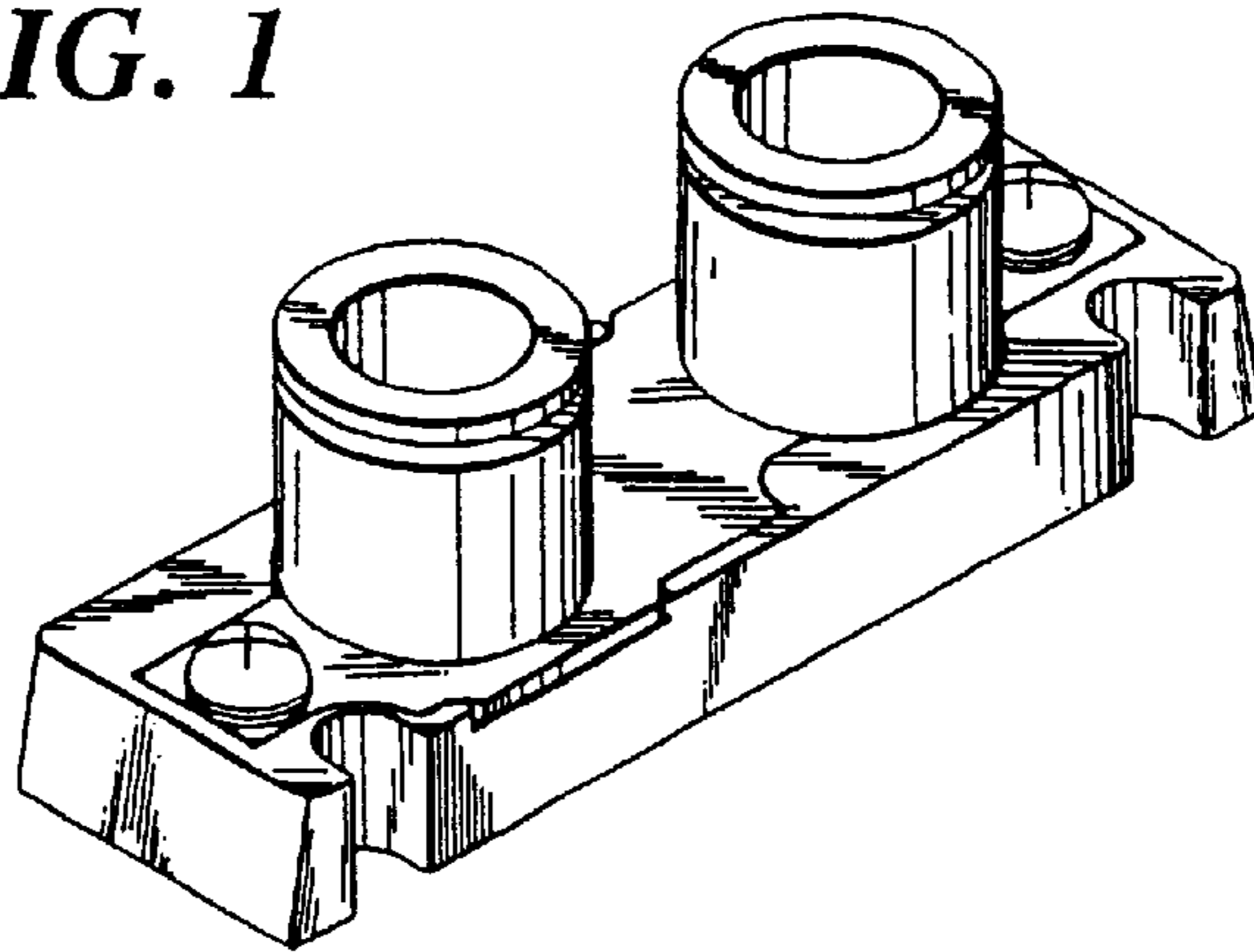
FIG. 9 is a top, front and left side perspective view thereof when in use with a solenoid valve.

The phantom line showing in the drawings is for illustrative purposes only and forms no part of the claimed design.

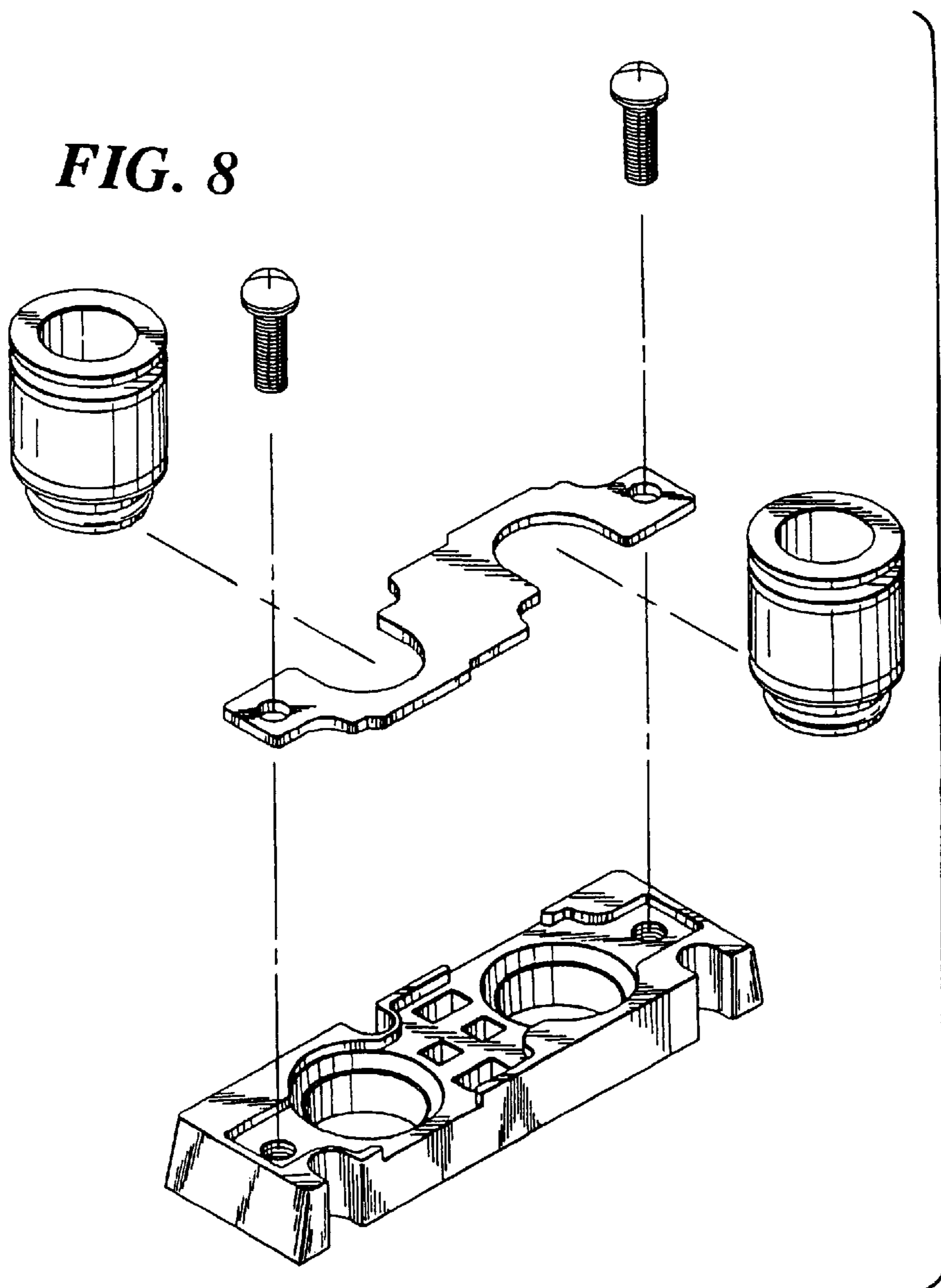
1 Claim, 3 Drawing Sheets



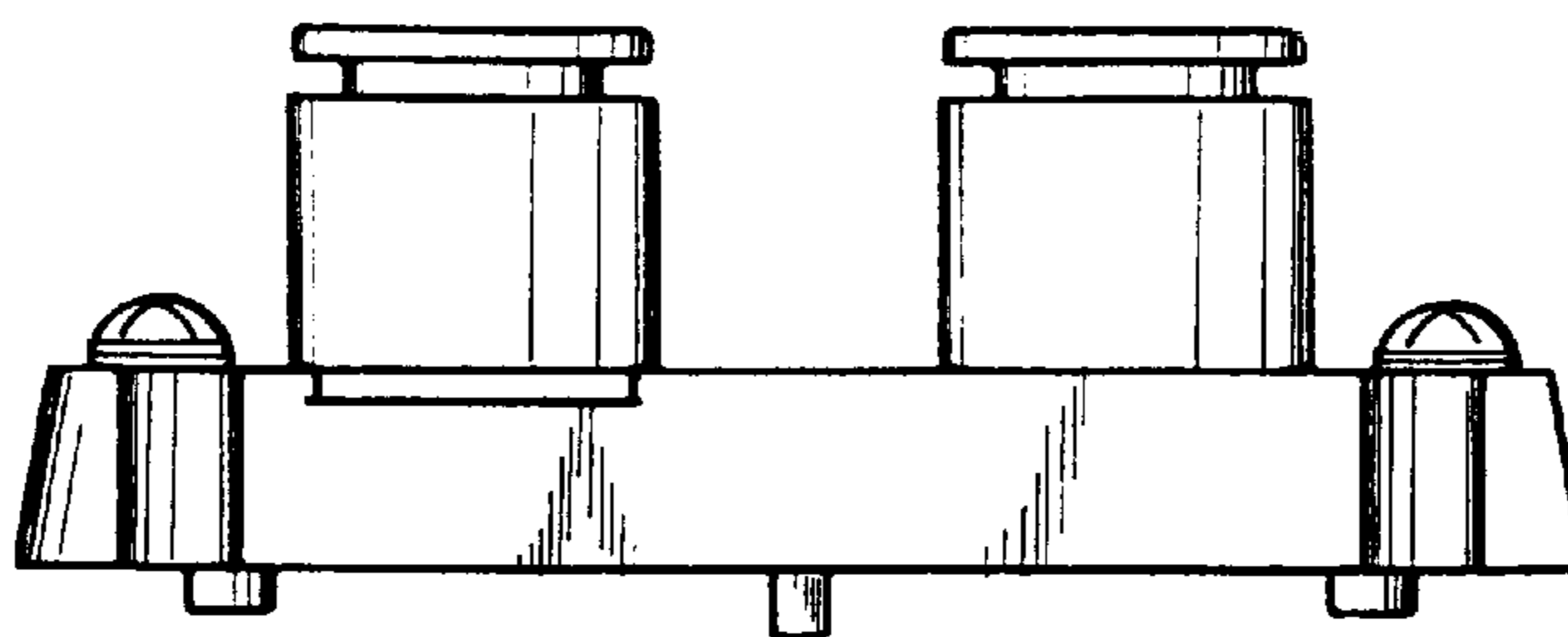
**FIG. 1**



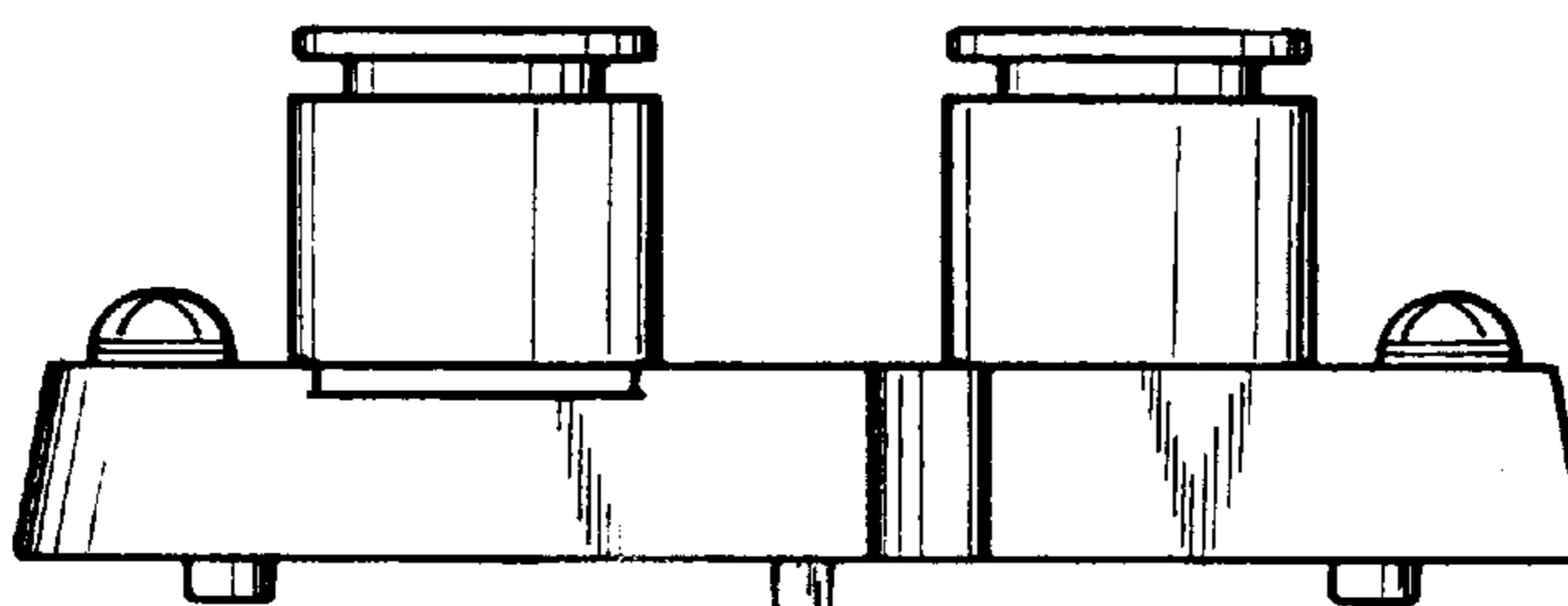
**FIG. 8**



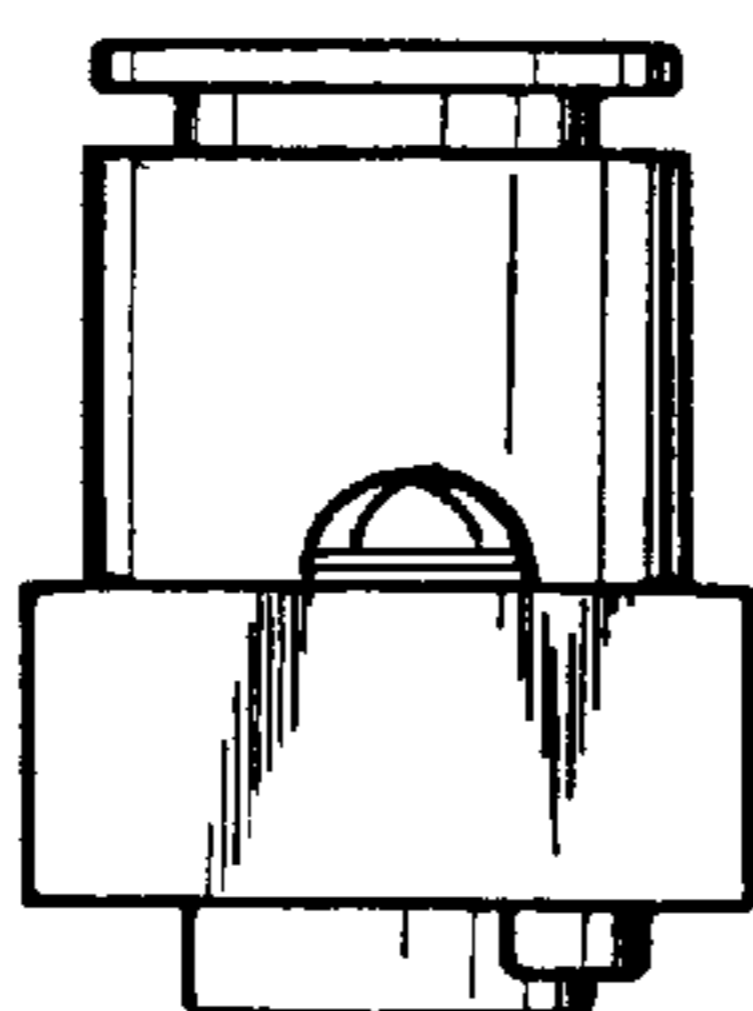
**FIG. 2**



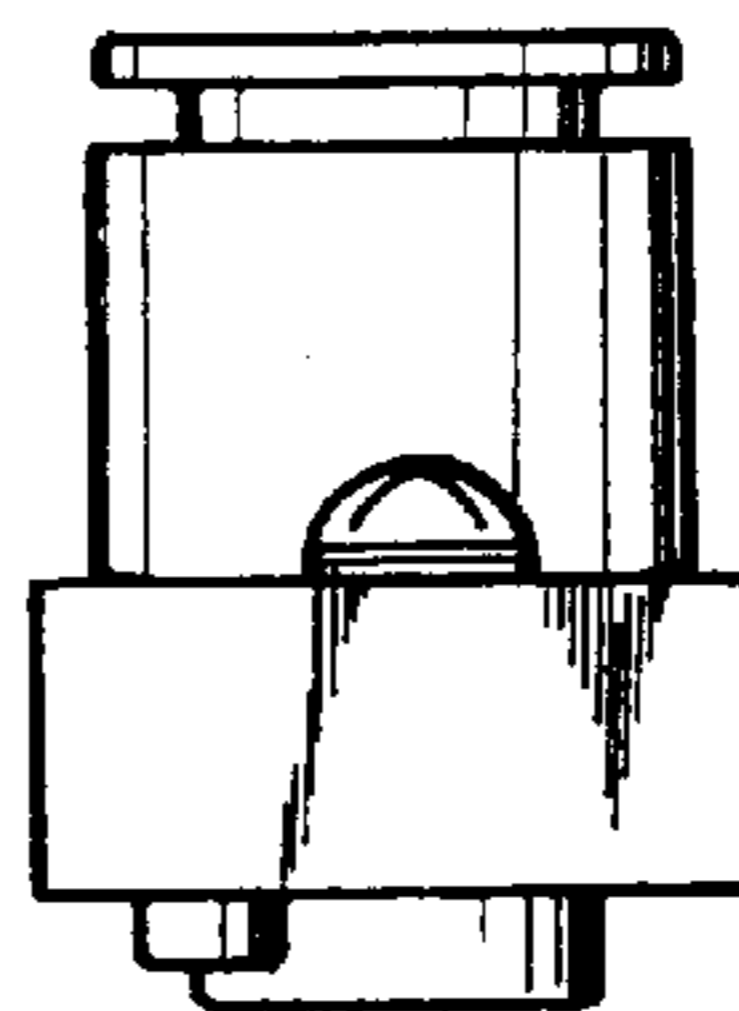
**FIG. 3**



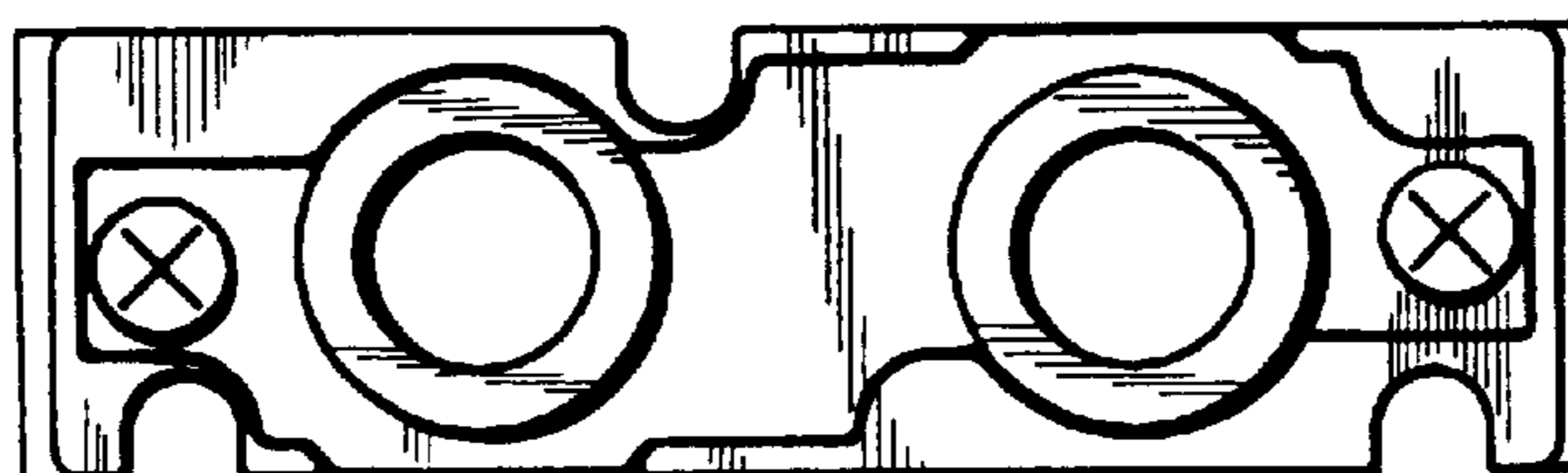
**FIG. 4**



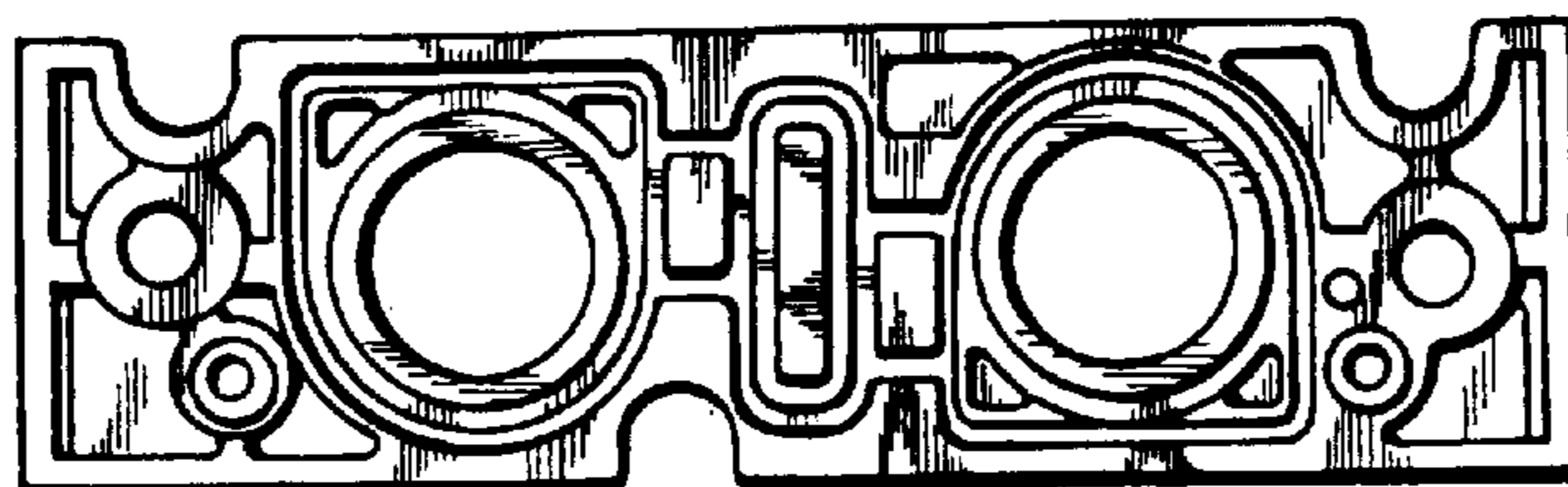
**FIG. 5**



**FIG. 6**



**FIG. 7**



*FIG. 9*

