



US00D427282S

United States Patent [19]

[11] **Patent Number: Des. 427,282**

Bower et al.

[45] **Date of Patent: ** Jun. 27, 2000**

[54] **PAINT SPRAYER FAN SHROUD WITH WHEELS**

Primary Examiner—Robin V. Taylor
Attorney, Agent, or Firm—Jones, Day, Reavis & Pogue

[75] Inventors: **Robert M. Bower**, Mt. Juliet; **James R. England**, Nashville, both of Tenn.

[57] **CLAIM**

We claim the ornamental design of a paint sprayer fan shroud with wheels, as shown and described.

[73] Assignee: **Campbell Hausfeld/Scott Fetzer Company**, Harrison, Ohio

DESCRIPTION

[**] Term: **14 Years**

FIG. 1 is an isometric view, taken from the front, of a paint sprayer fan shroud and wheels embodying the ornamental design of the present invention;

[21] Appl. No.: **29/109,628**

FIG. 2 is an isometric view, taken from the rear, of the paint sprayer of FIG. 1;

[22] Filed: **Aug. 19, 1999**

[51] **LOC (7) Cl.** **23-01**

FIG. 3 is a side view of the paint sprayer of FIG. 1;

[52] **U.S. Cl.** **D23/225**

FIG. 4 is an opposite side view of the paint sprayer of FIG. 1;

[58] **Field of Search** D23/213, 225;
D34/14, 24; 141/231; 401/195-6; 222/608,
610; 239/149, 146-147, 308

FIG. 5 is a front view of the paint sprayer of FIG. 1;

FIG. 6 is a rear view of the paint sprayer of FIG. 1;

FIG. 7 is a top view of the paint sprayer of FIG. 1; and,

FIG. 8 is a bottom view of the paint sprayer of FIG. 1.

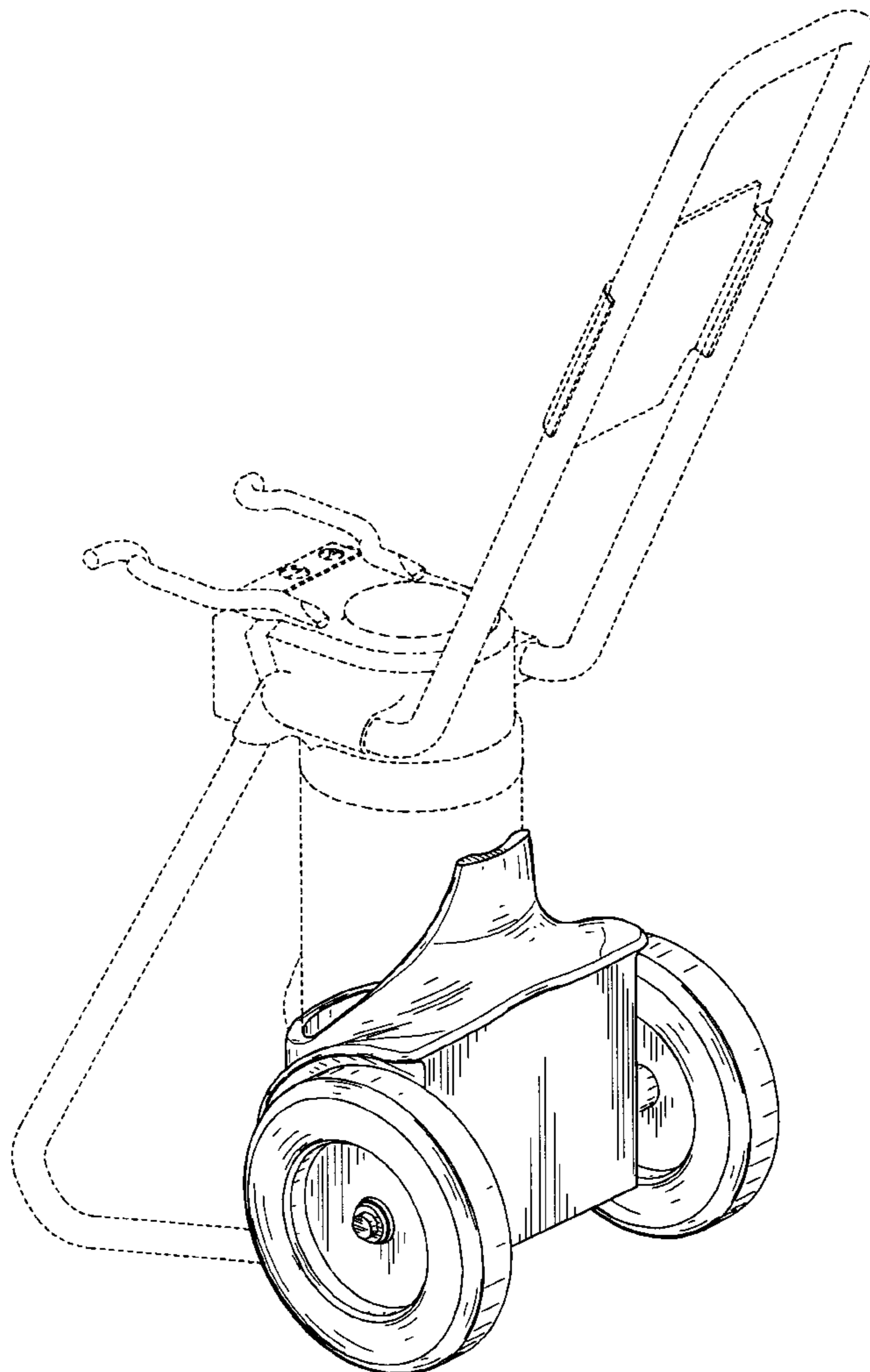
The broken line showings of FIGS. 1-8 are for illustrative purposes only and form no part of the claimed design.

[56] **References Cited**

U.S. PATENT DOCUMENTS

D. 271,038	10/1983	Anderson et al.	D23/213
D. 306,477	3/1990	Weiss	D23/225
D. 399,031	9/1998	Prosper et al.	D34/24

1 Claim, 6 Drawing Sheets



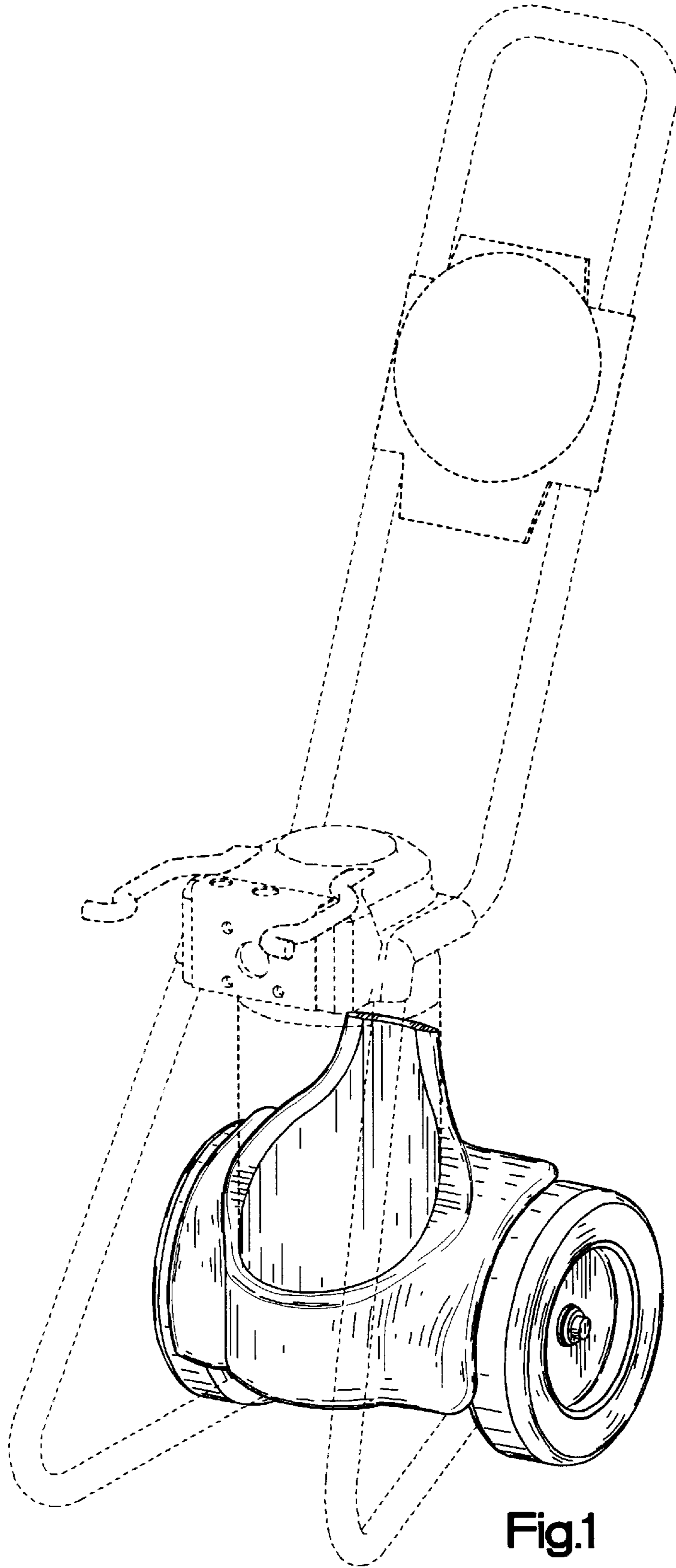


Fig.1

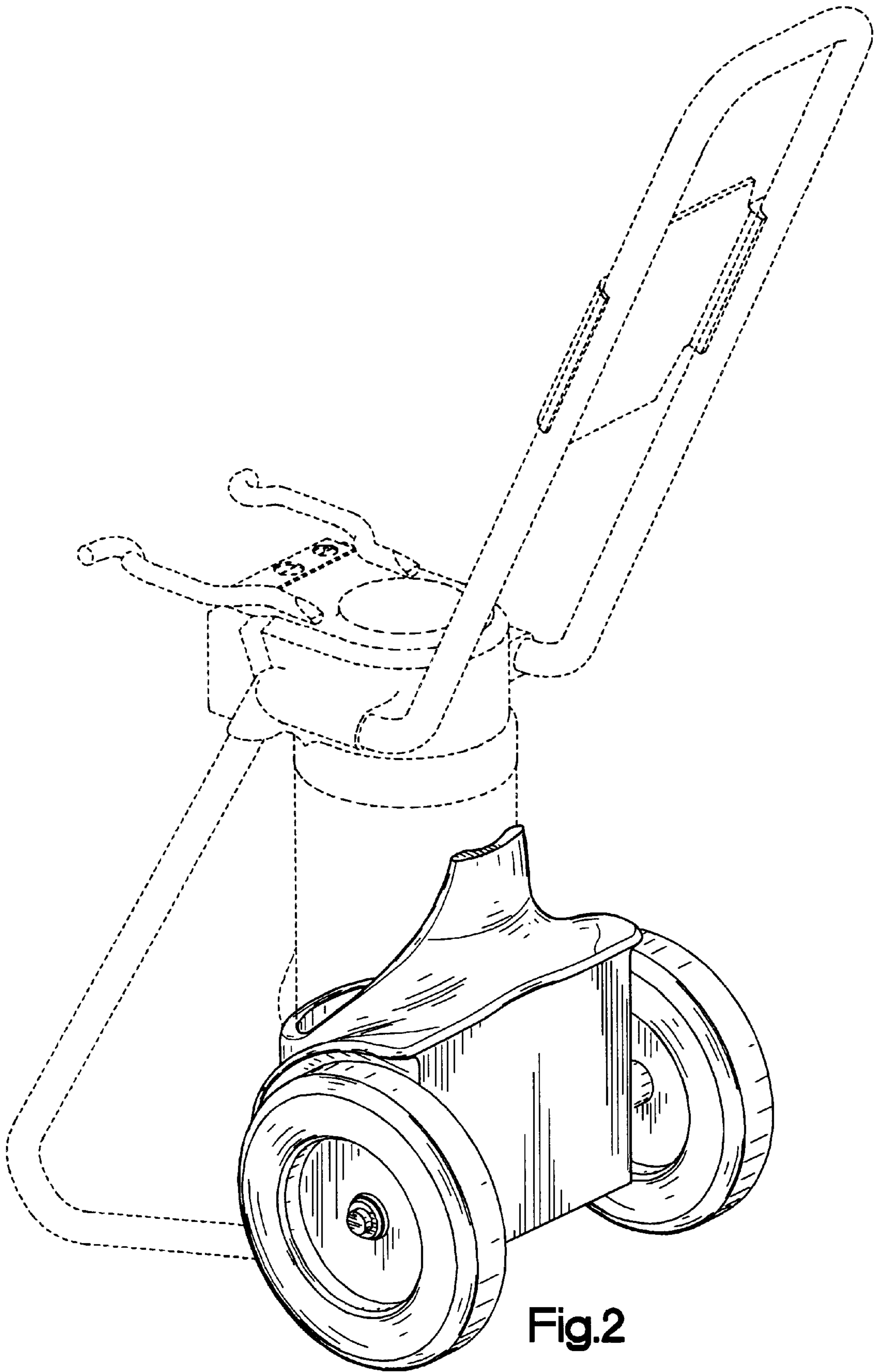


Fig.2

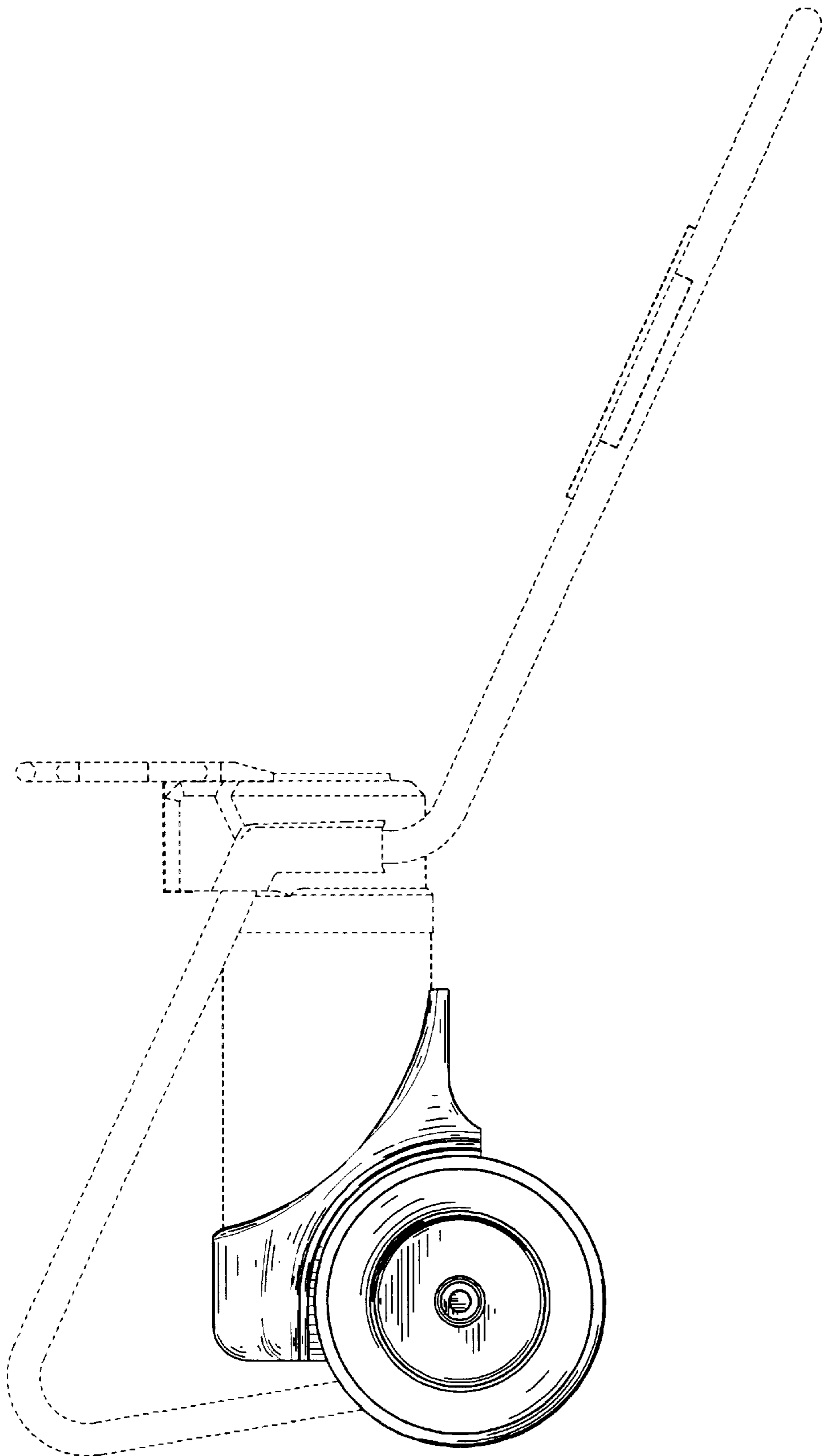


Fig.3

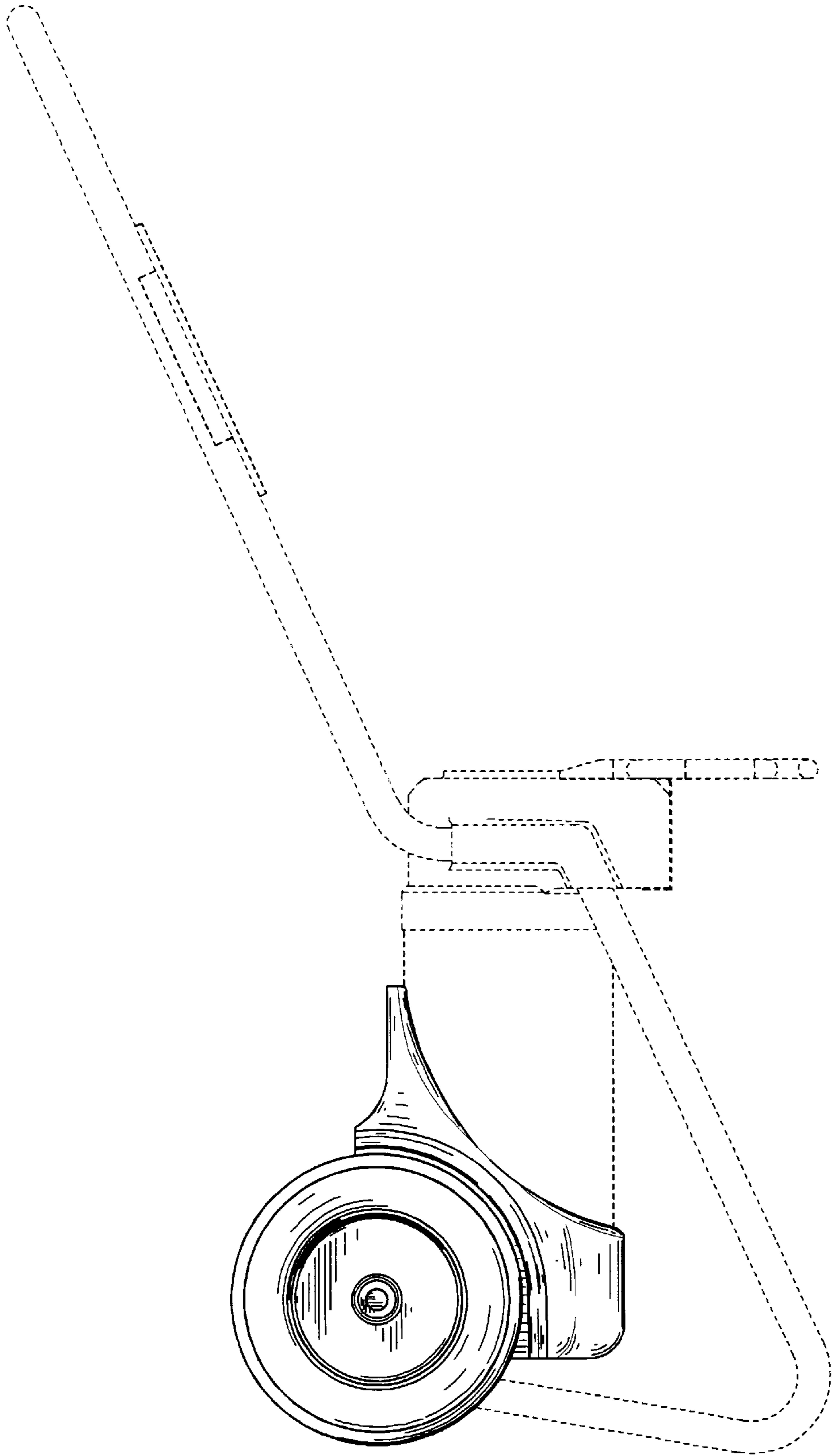


Fig.4

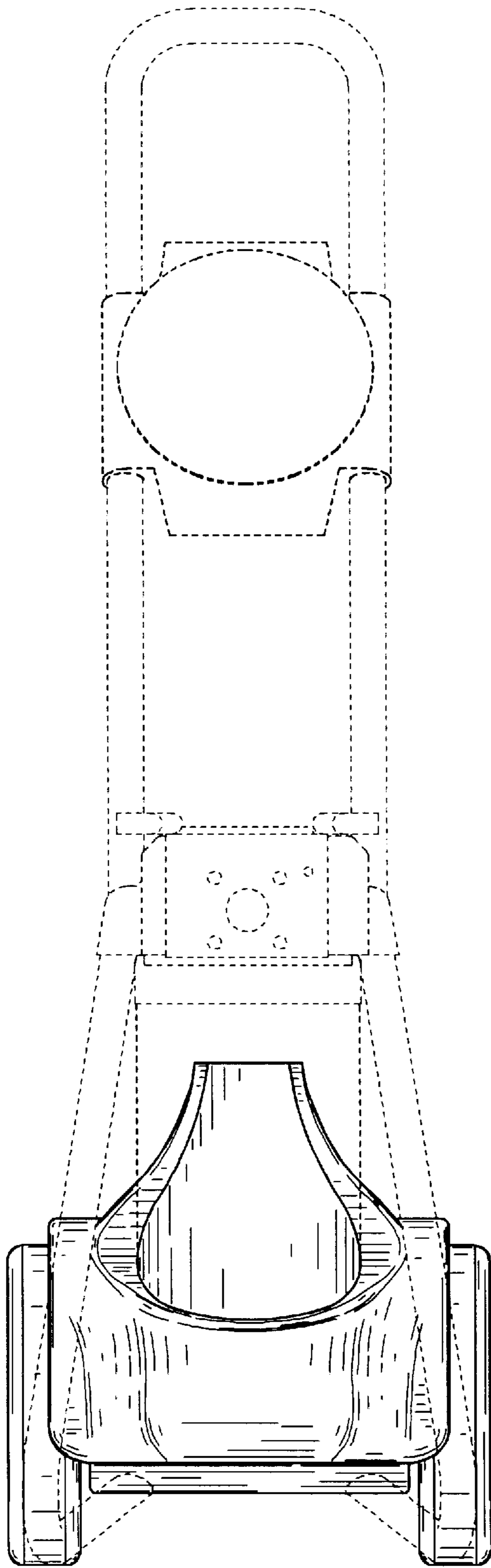


Fig.5

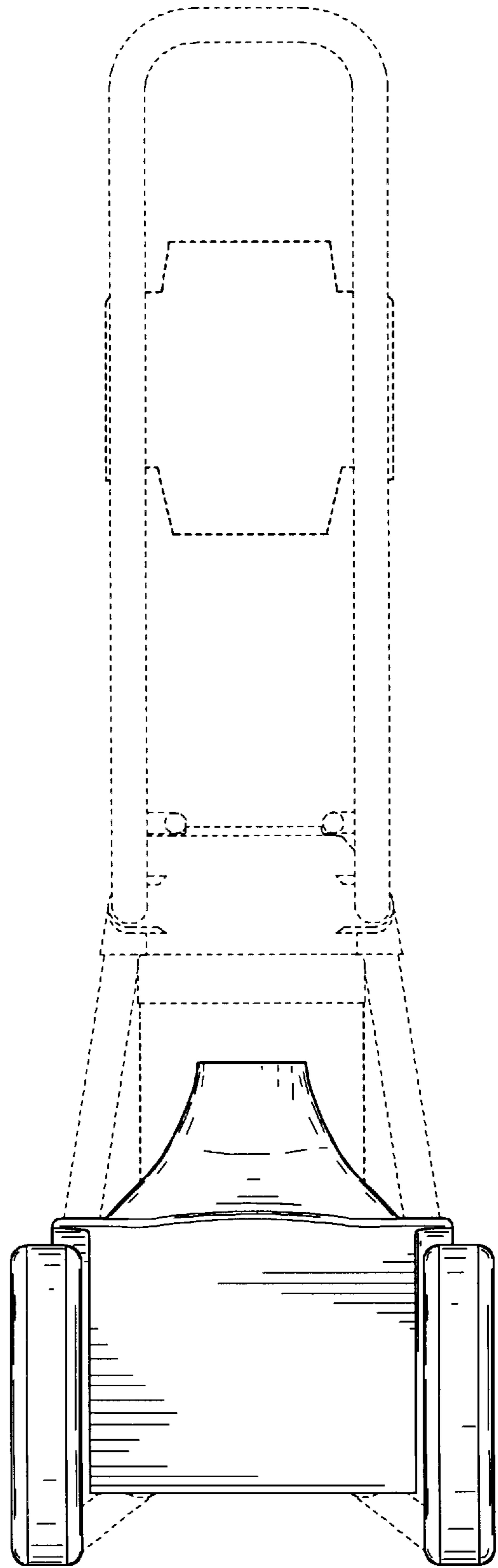


Fig.6

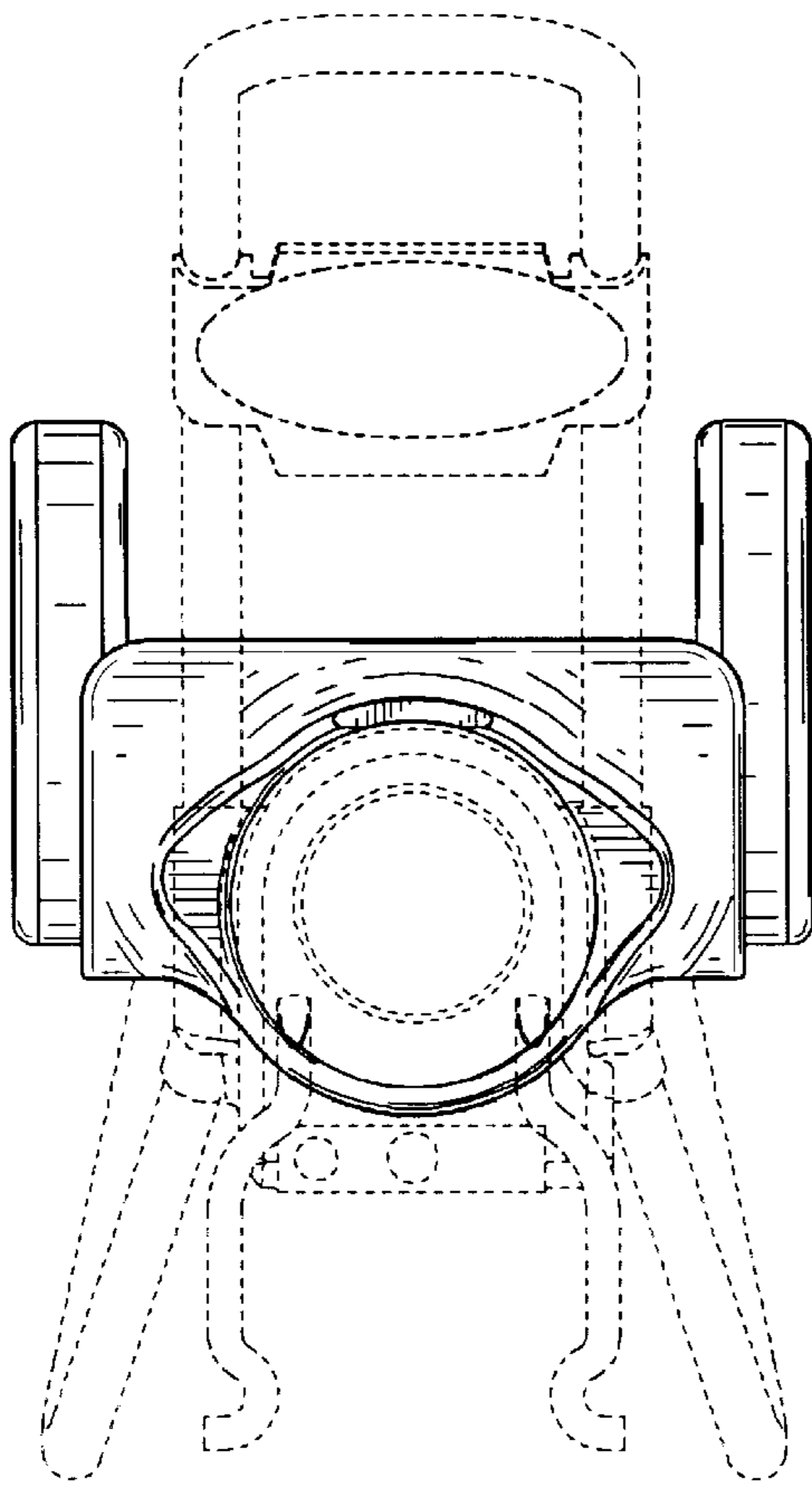


Fig.7

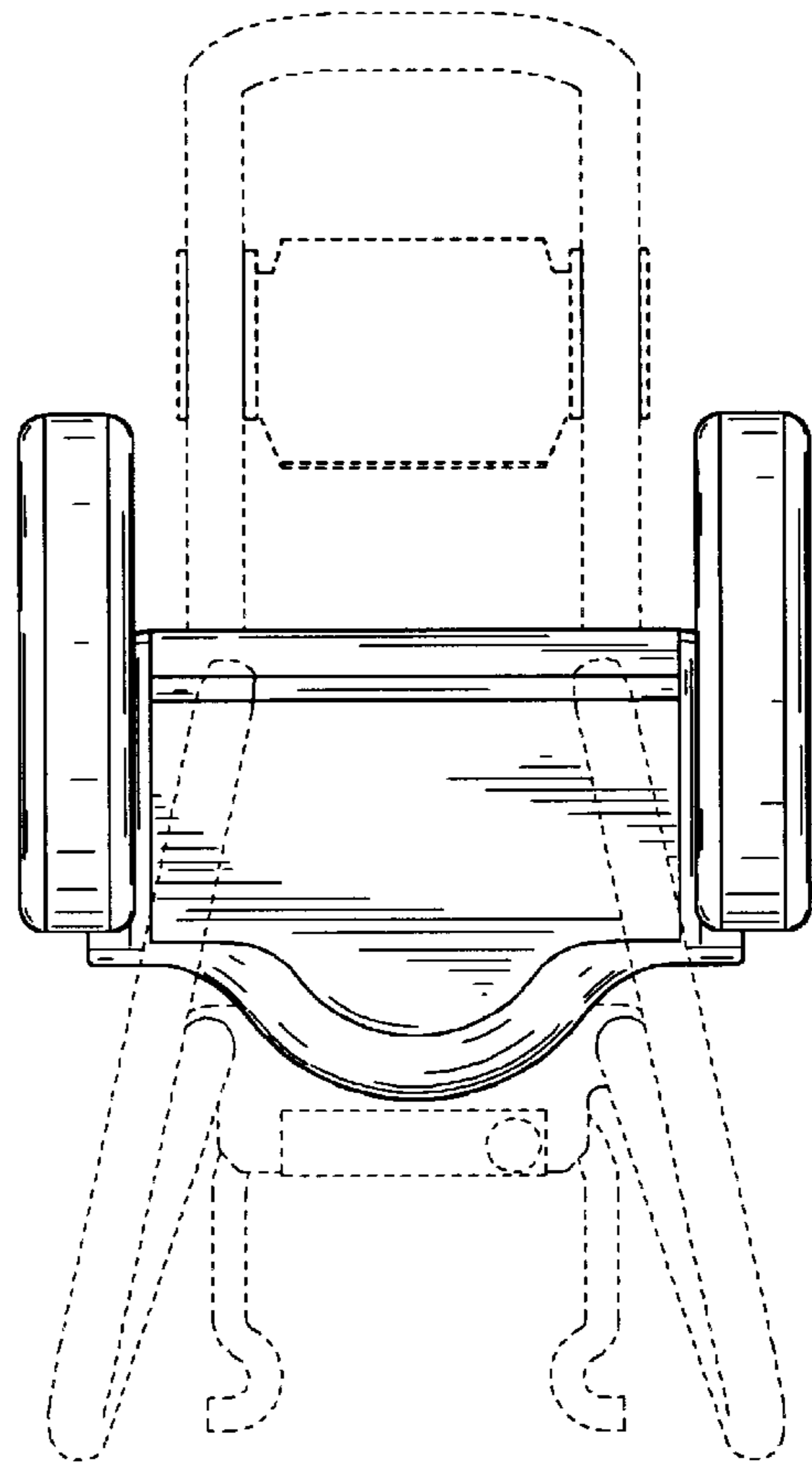


Fig.8