



US00D427280S

United States Patent [19] Chang

[11] **Patent Number: Des. 427,280**

[45] **Date of Patent: ** Jun. 27, 2000**

[54] **LAWN SPRINKLER**

D. 412,556 8/1999 Hsin-Fa D23/214

[76] Inventor: **Jung-Hsien Chang**, 7F-2, No. 5, Fu An St., Fu An Li, Shi-Tun Chu, Taichung, Taiwan

OTHER PUBLICATIONS

Sherman catalog; Item #352607 sprinkler; p. 9, design digest, 1996.

[**] Term: **14 Years**

Primary Examiner—Robin V. Taylor
Attorney, Agent, or Firm—W. Wayne Liauh

[21] Appl. No.: **29/109,606**

[22] Filed: **Aug. 16, 1999**

[57] CLAIM

The ornamental design of a lawn sprinkler, as shown.

[51] **LOC (7) Cl.** **23-01**

[52] **U.S. Cl.** **D23/214**

[58] **Field of Search** D23/213-214,
D23/215, 216, 221; 239/273, 275, 230,
242

DESCRIPTION

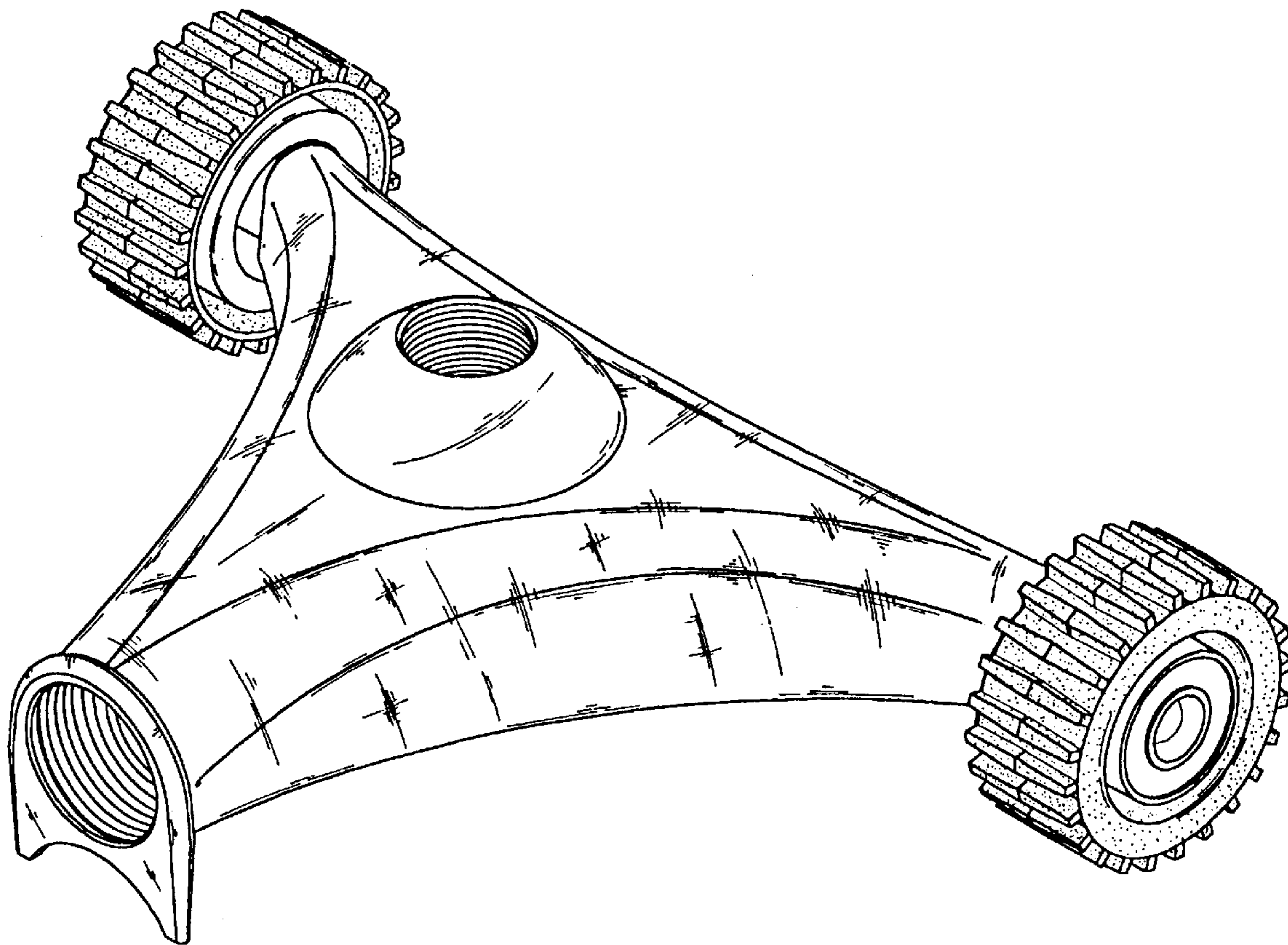
FIG. 1 shows a perspective view of the present design. FIG. 2 shows a front elevational view of the present design. FIG. 3 shows a rear elevational view of the present design. FIG. 4 shows a left elevational view of the present design. FIG. 5 shows a right elevational view of the present design. FIG. 6 shows a top plan view of the present design; and, FIG. 7 shows a bottom plan view of the present design.

[56] References Cited

U.S. PATENT DOCUMENTS

D. 163,470 5/1951 Nelson D23/221
D. 269,200 5/1983 Mackay et al. D23/221
D. 397,203 8/1998 Wang D23/214

1 Claim, 7 Drawing Sheets



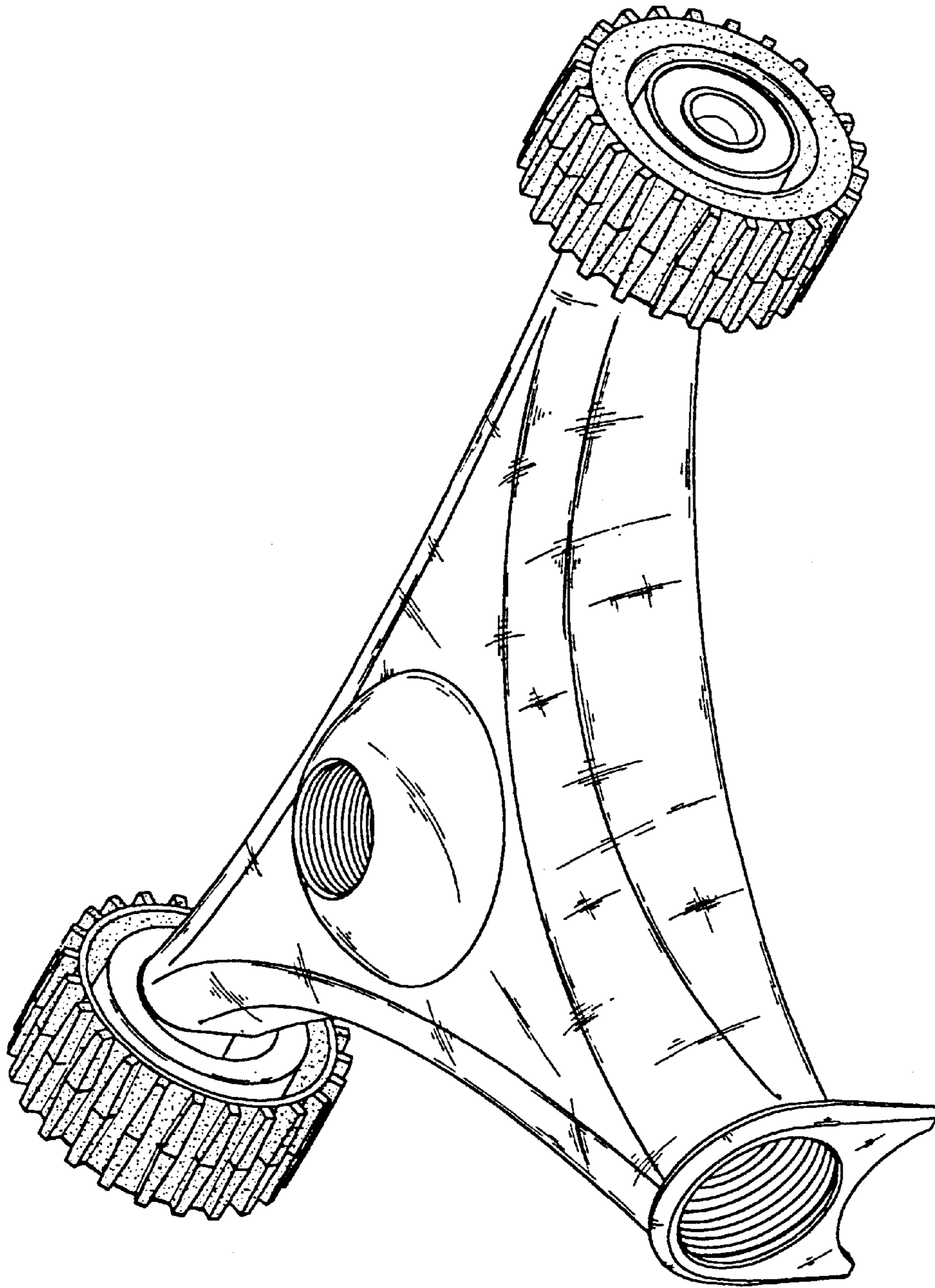


FIG. 1

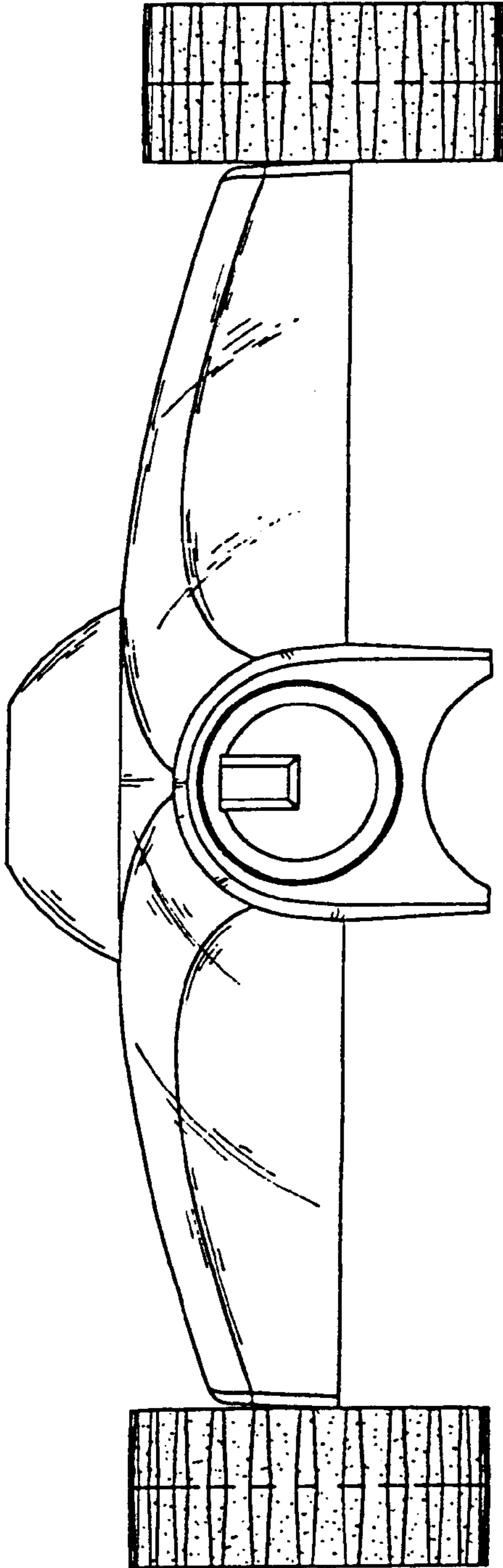


FIG. 2

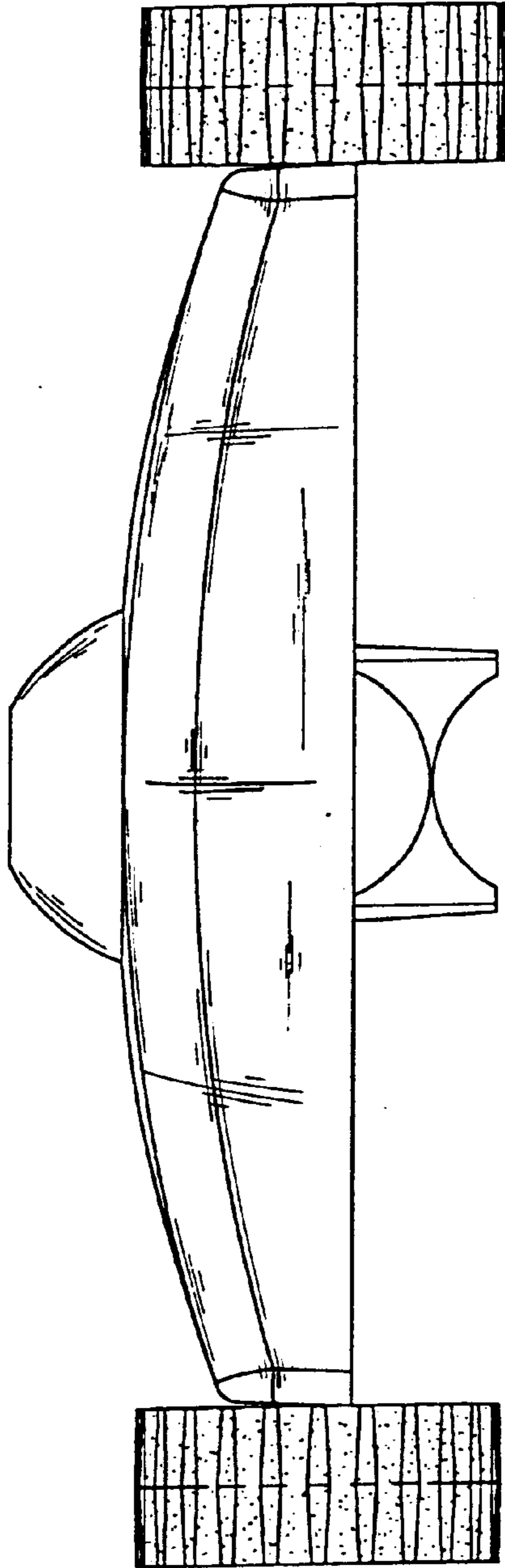


FIG. 3

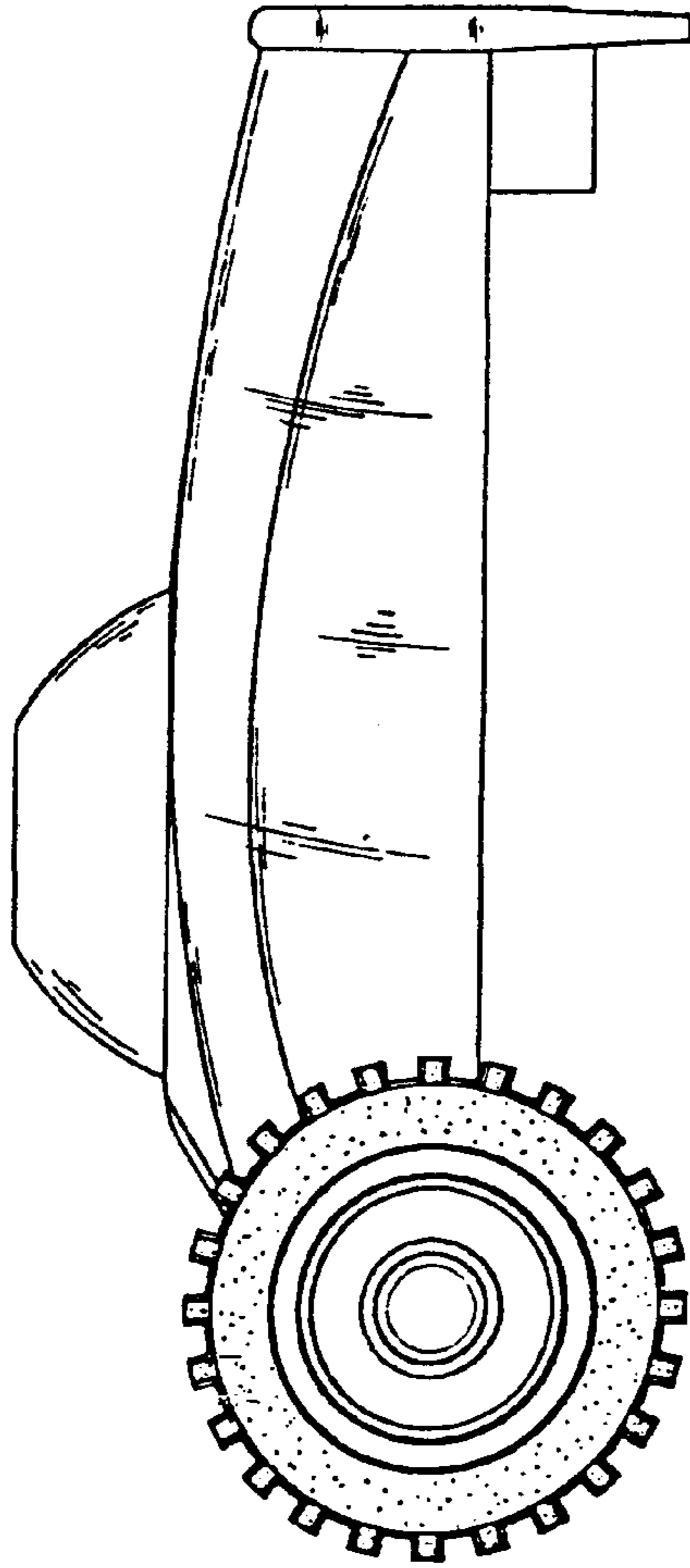


FIG. 4

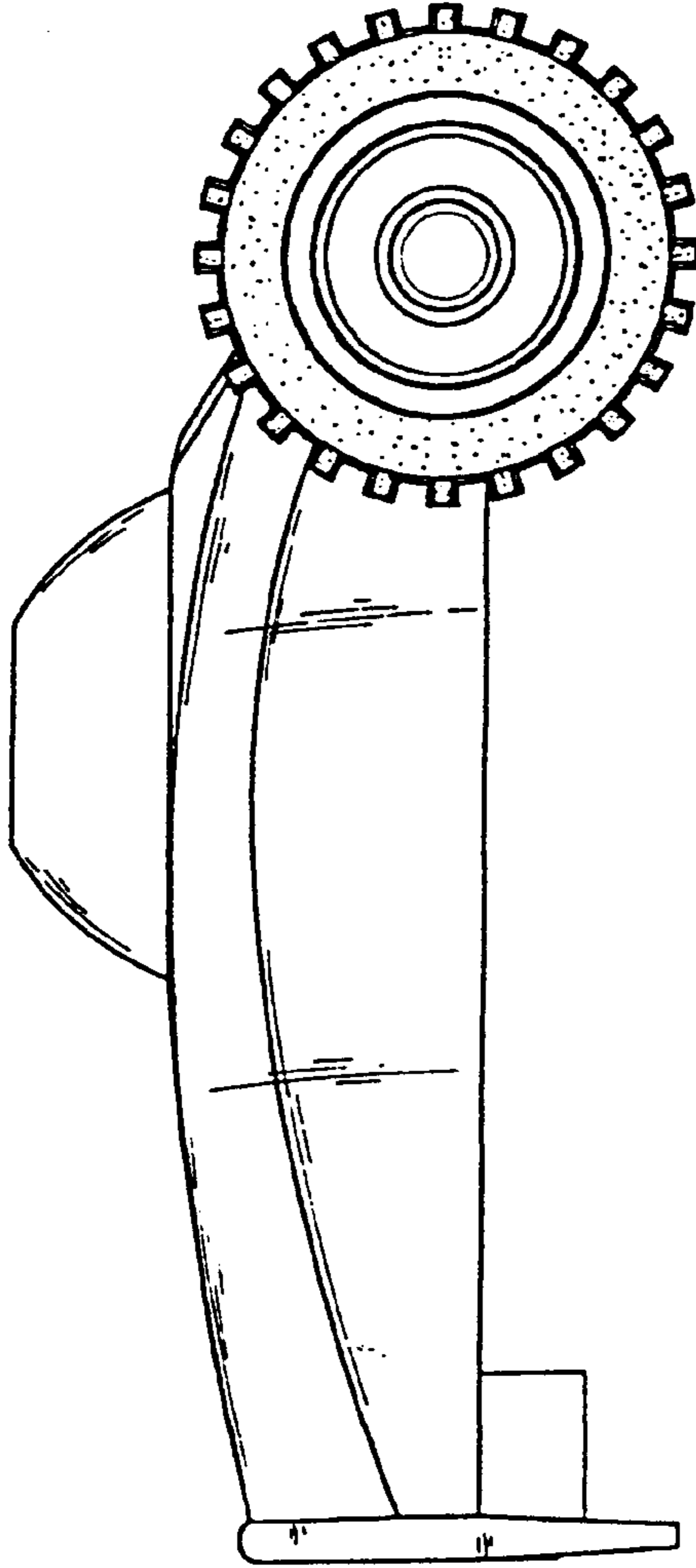


FIG. 5

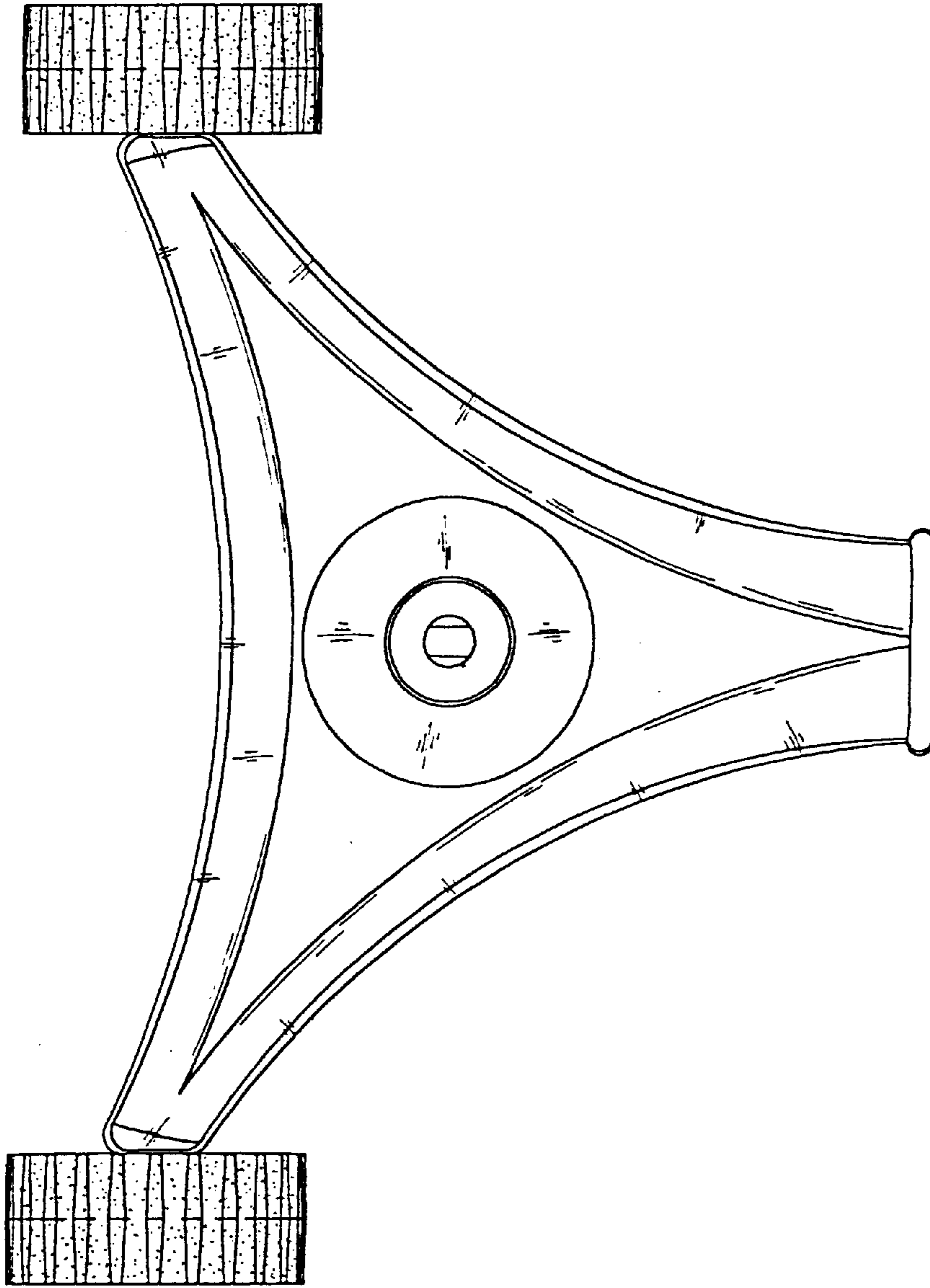


FIG. 6

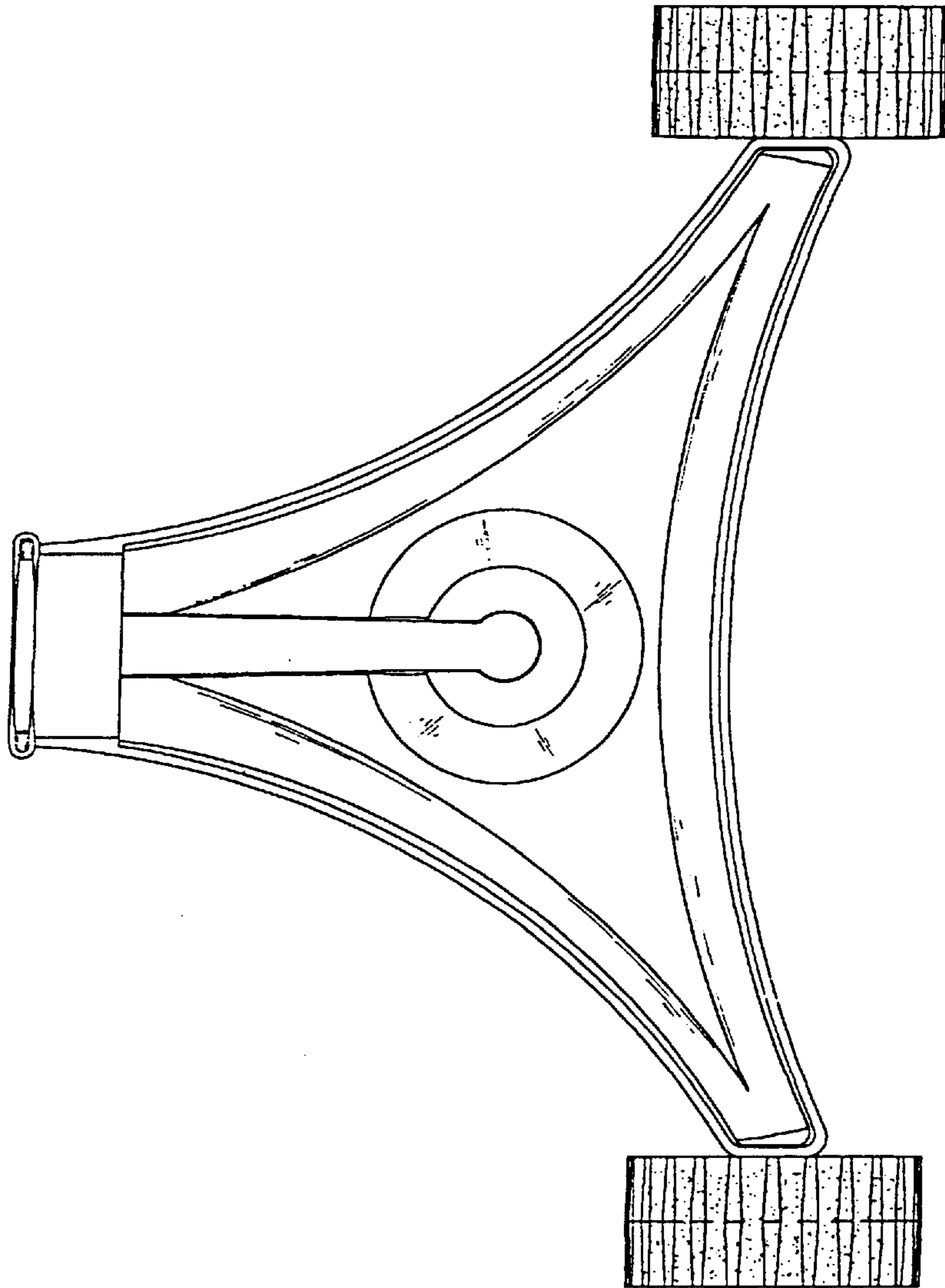


FIG. 7