



US00D427275S

United States Patent [19]
Gilmore

[11] **Patent Number: Des. 427,275**

[45] **Date of Patent: ** Jun. 27, 2000**

[54] **OPTICAL SIGHT FOR FIREARMS**

[76] Inventor: **Riley Gilmore**, 2924 E. 73rd St., Tulsa, Okla. 74136

[**] Term: **14 Years**

[21] Appl. No.: **29/099,677**

[22] Filed: **Jan. 26, 1999**

[51] **LOC (7) Cl.** **22-01**

[52] **U.S. Cl.** **D22/109; D16/130; D16/132; D22/100; D22/108; D22/199**

[58] **Field of Search** **D22/100, 108, D22/109, 199; D16/130, 132; 33/245, 246, 247, 248, 249, 250; 42/101**

[56] **References Cited**

U.S. PATENT DOCUMENTS

| | | | | |
|------------|---------|-----------|-------|----------|
| D. 305,030 | 12/1989 | Fukushima | | D16/132 |
| D. 346,392 | 4/1994 | Tomita | | D16/132 |
| D. 347,018 | 5/1994 | Jehn | | D16/132 |
| D. 349,510 | 8/1994 | Tomita | | D16/132 |
| D. 365,858 | 1/1996 | Tomita | | D22/109 |
| D. 369,367 | 4/1996 | Tomita | | D16/132 |
| 5,787,630 | 8/1998 | Martel | | 33/247 X |

Primary Examiner—Louis S. Zarfes

Assistant Examiner—Monica A. Weingart

Attorney, Agent, or Firm—Head, Johnson & Kachigian

[57] **CLAIM**

The design for an optical sight for firearms, as shown and described.

DESCRIPTION

FIG. 1 is a front isometric view of a first preferred embodiment taken generally along the right side of an optical sight for firearms showing my new design;

FIG. 2 is a rear isometric view taken generally along the left side thereof;

FIG. 3 is a top plan view thereof;

FIG. 4 is a left side elevational view thereof;

FIG. 5 is a bottom plan view thereof;

FIG. 6 is a front elevational end view thereof; and

FIG. 7 is a rear elevational end view thereof.

FIG. 8 is a top plan view of a second embodiment of my design showing my optical sight for firearms;

FIG. 9 is a left side elevational view thereof;

FIG. 10 is a bottom plan view thereof;

FIG. 11 is a front elevational end view thereof; and,

FIG. 12 is a rear elevational end view thereof.

The right side elevational view would be the mirror image of the left side elevational view.

The right side elevational view would be the mirror image of the left side elevational view.

The broken line showing of a gun sight mount in FIGS. 1 and 2 is for illustrative purposes only and forms no part of the claimed design.

1 Claim, 3 Drawing Sheets

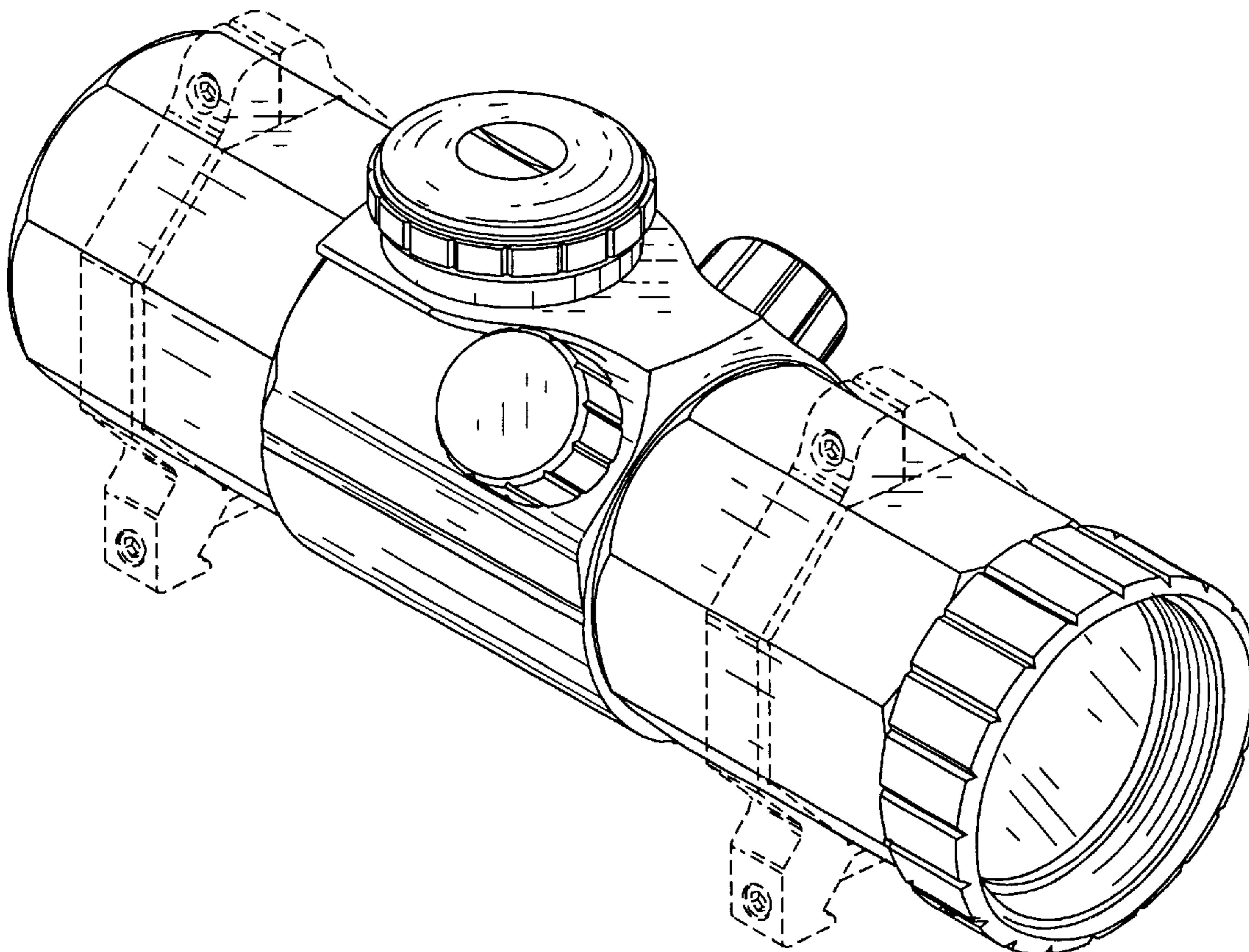


FIG. 1

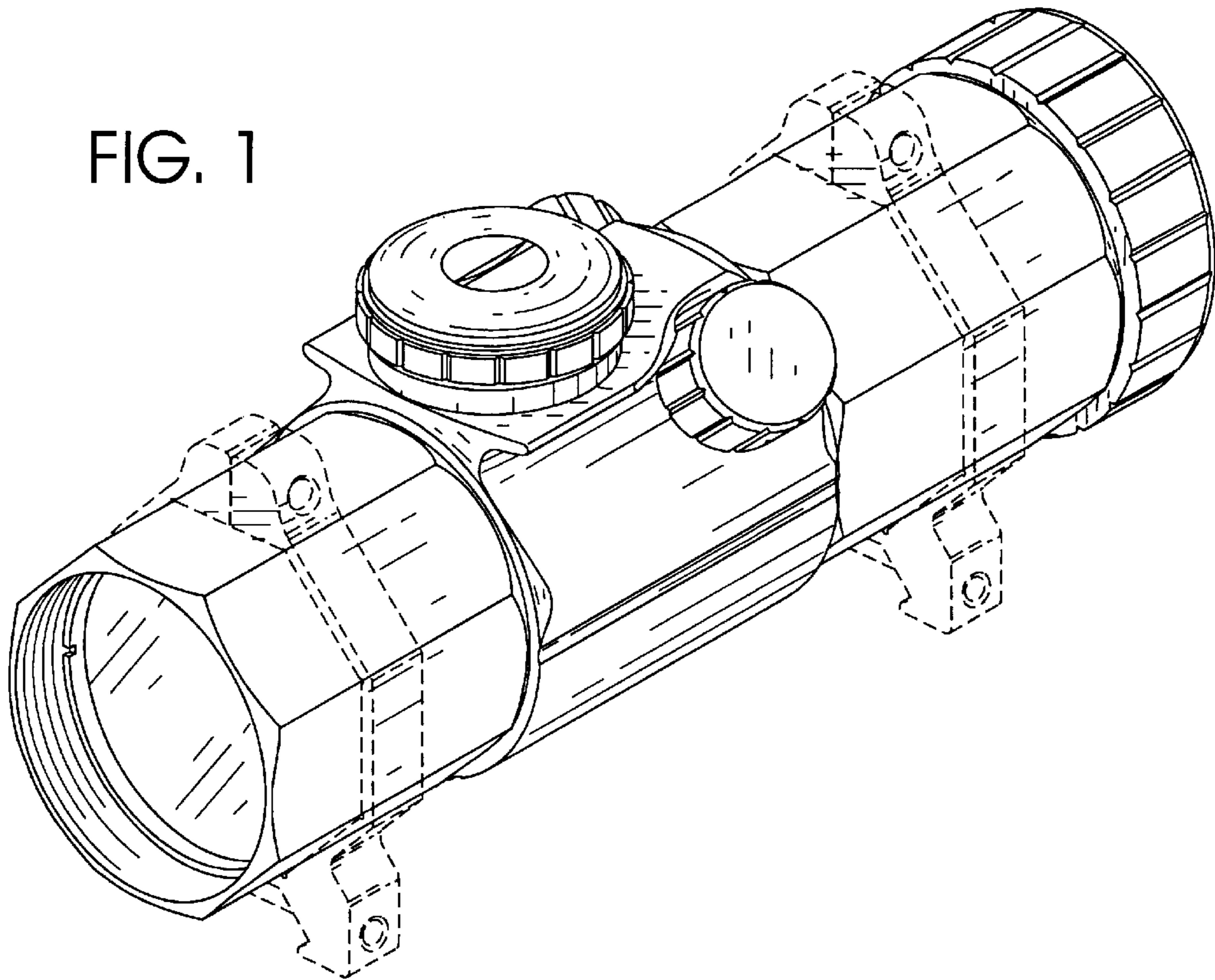


FIG. 2

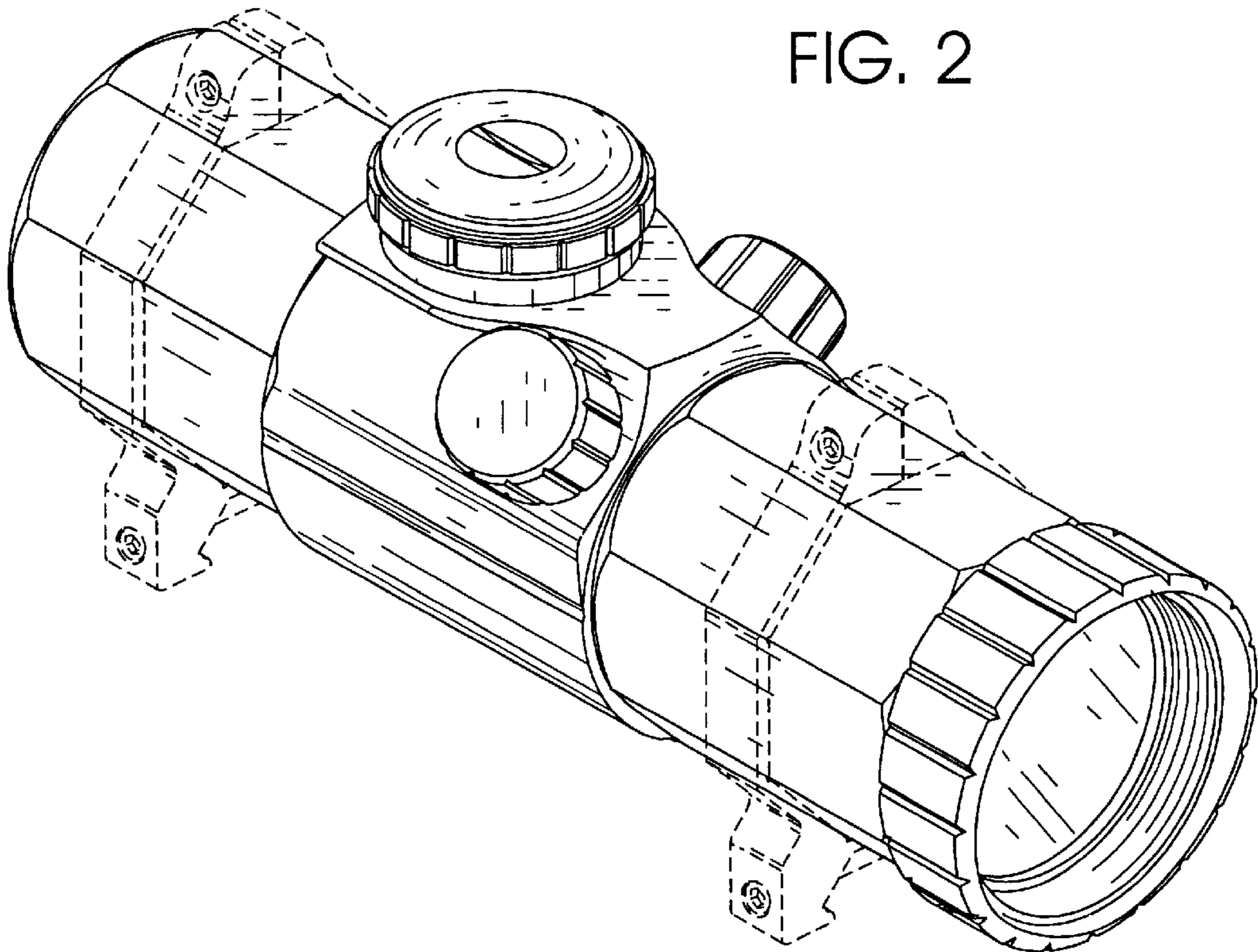


FIG. 3

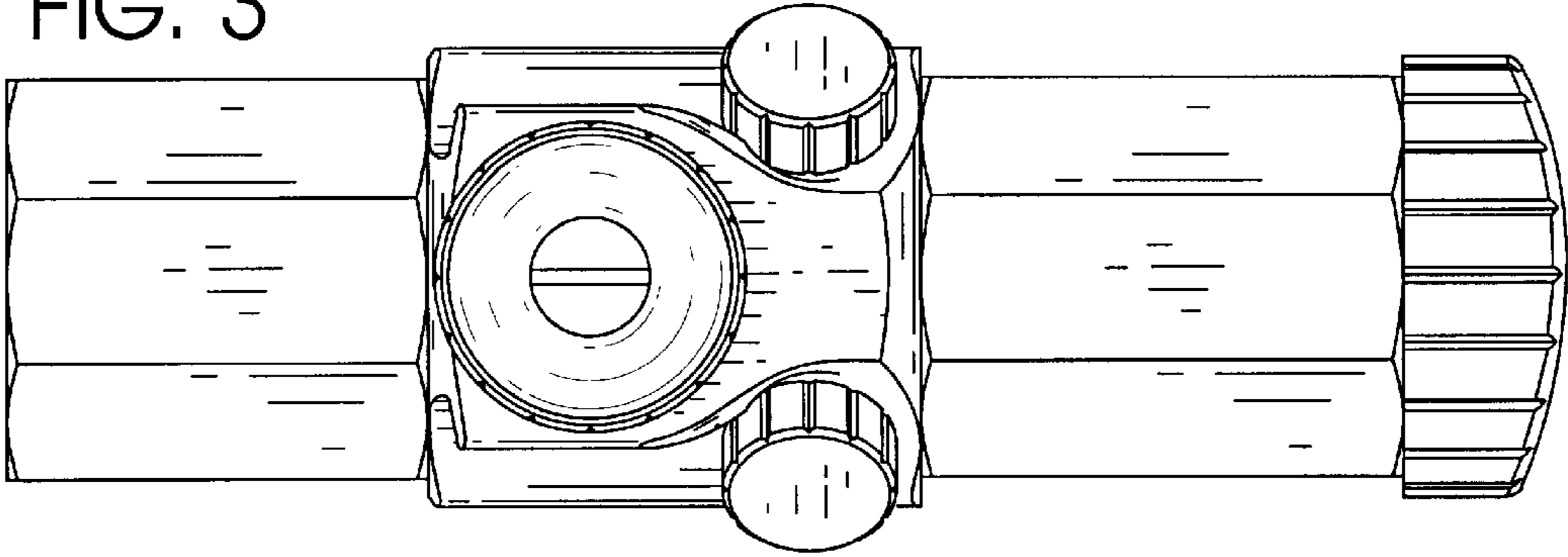


FIG. 4

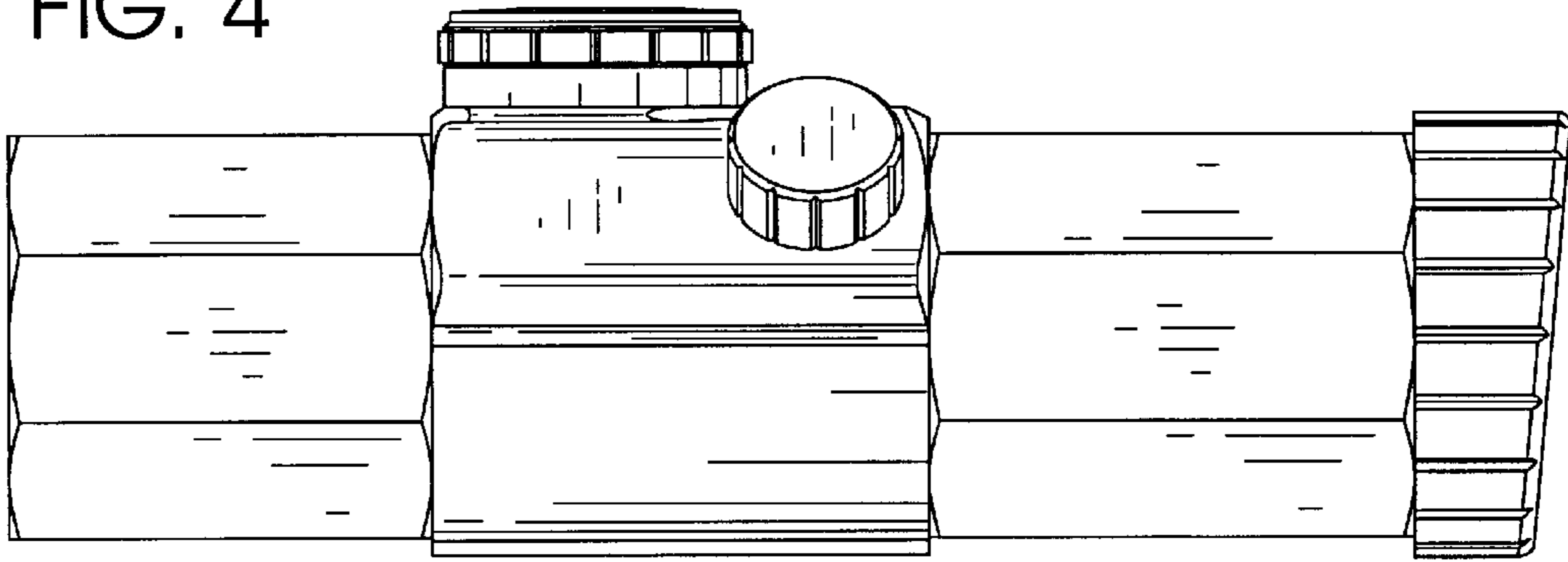


FIG. 5

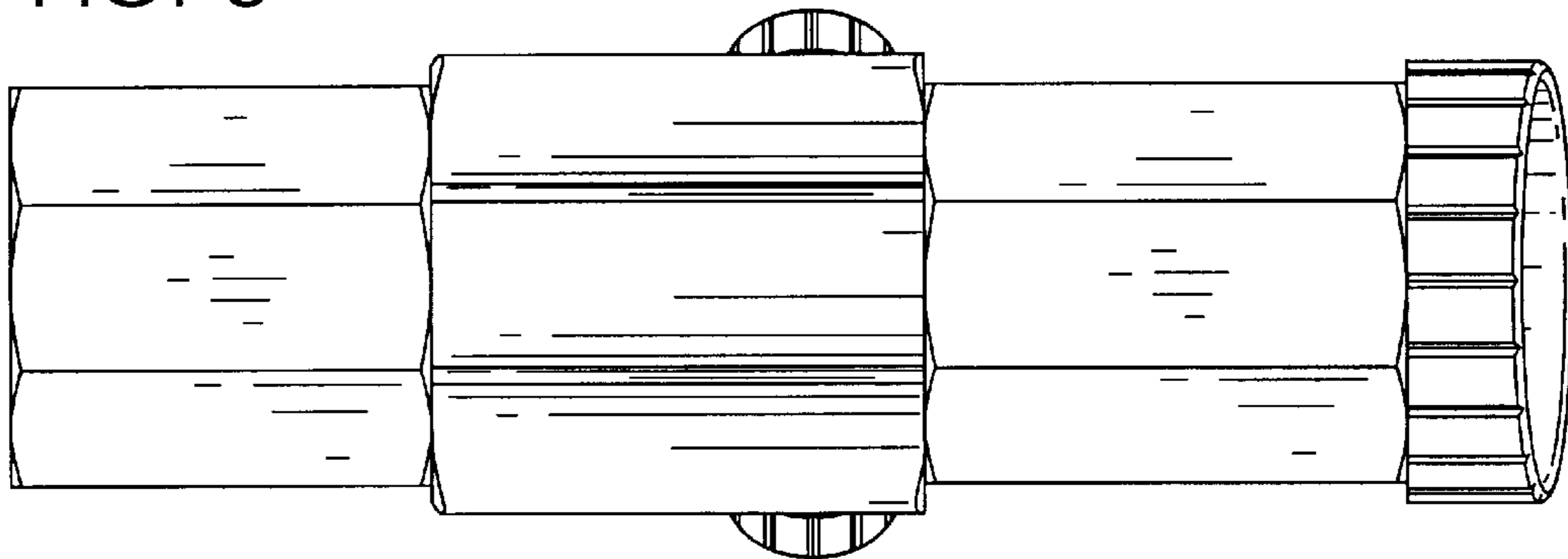


FIG. 6

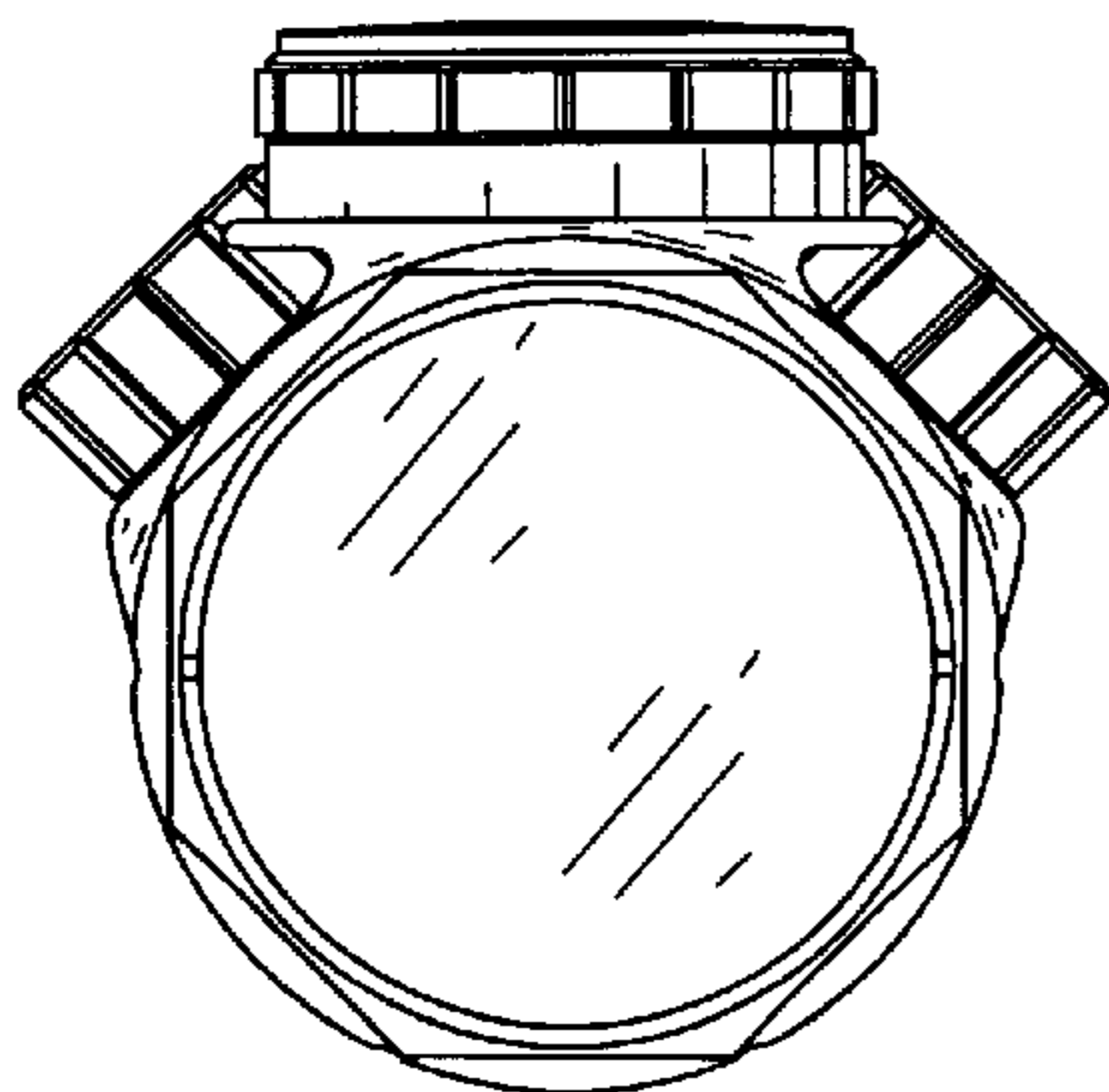


FIG. 7

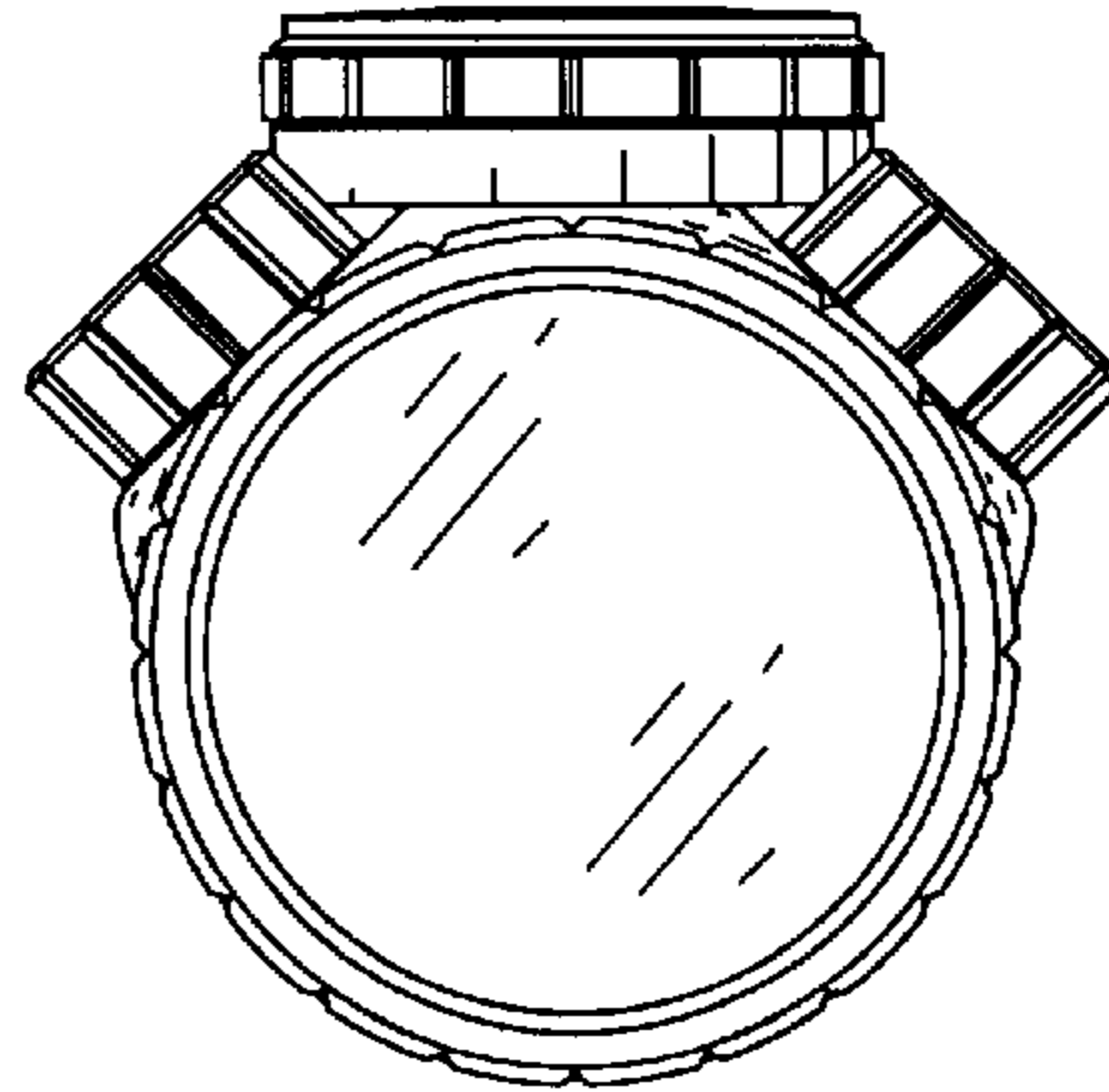


FIG. 8

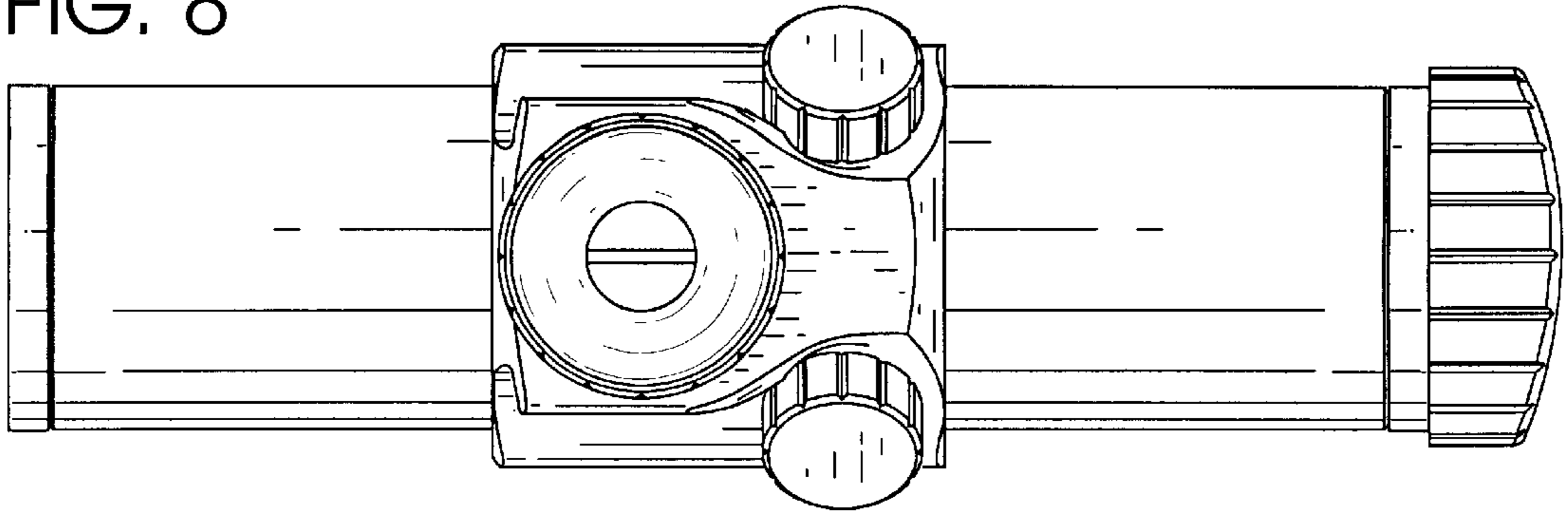


FIG. 9

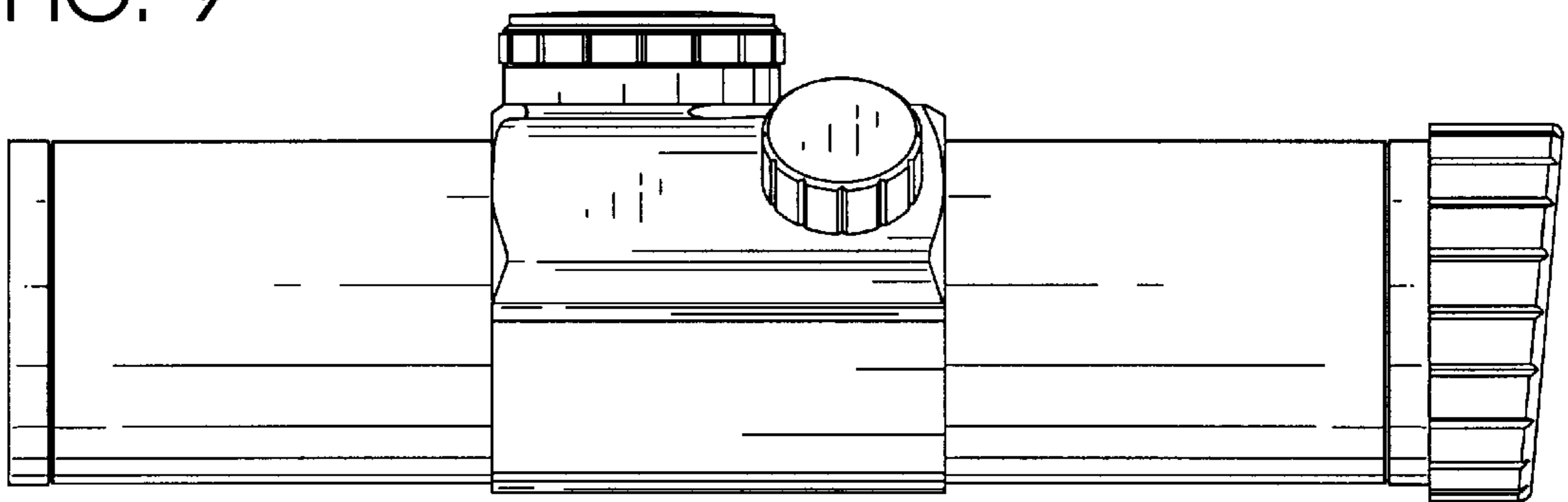


FIG. 10

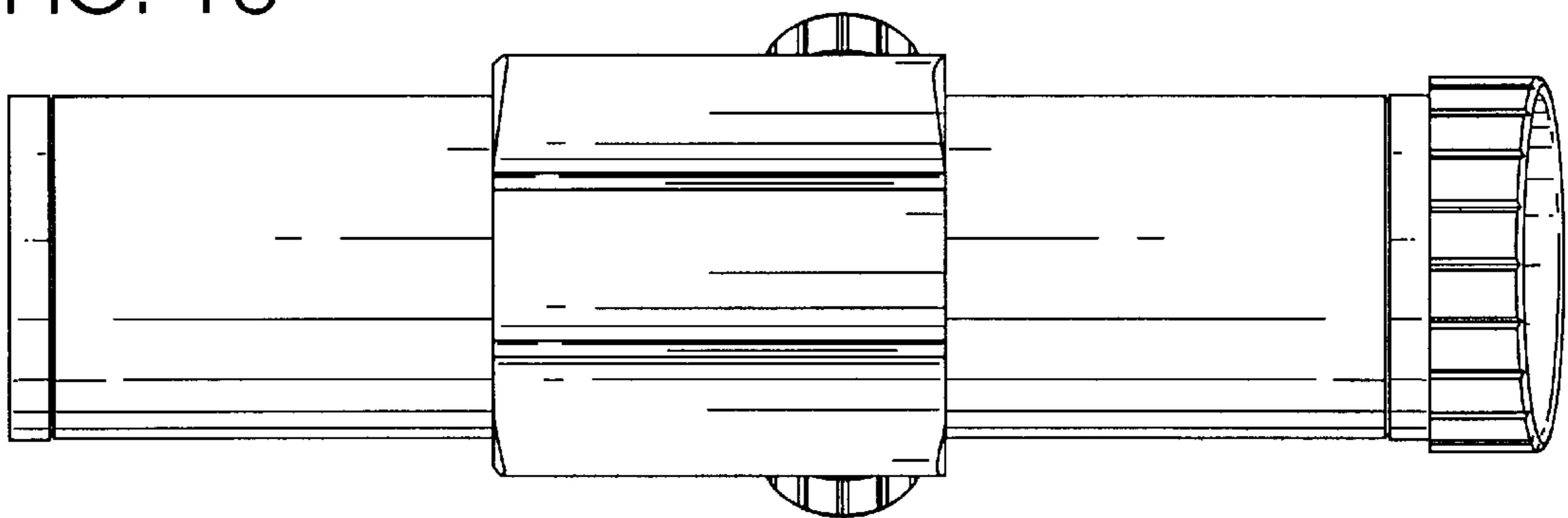


FIG. 11

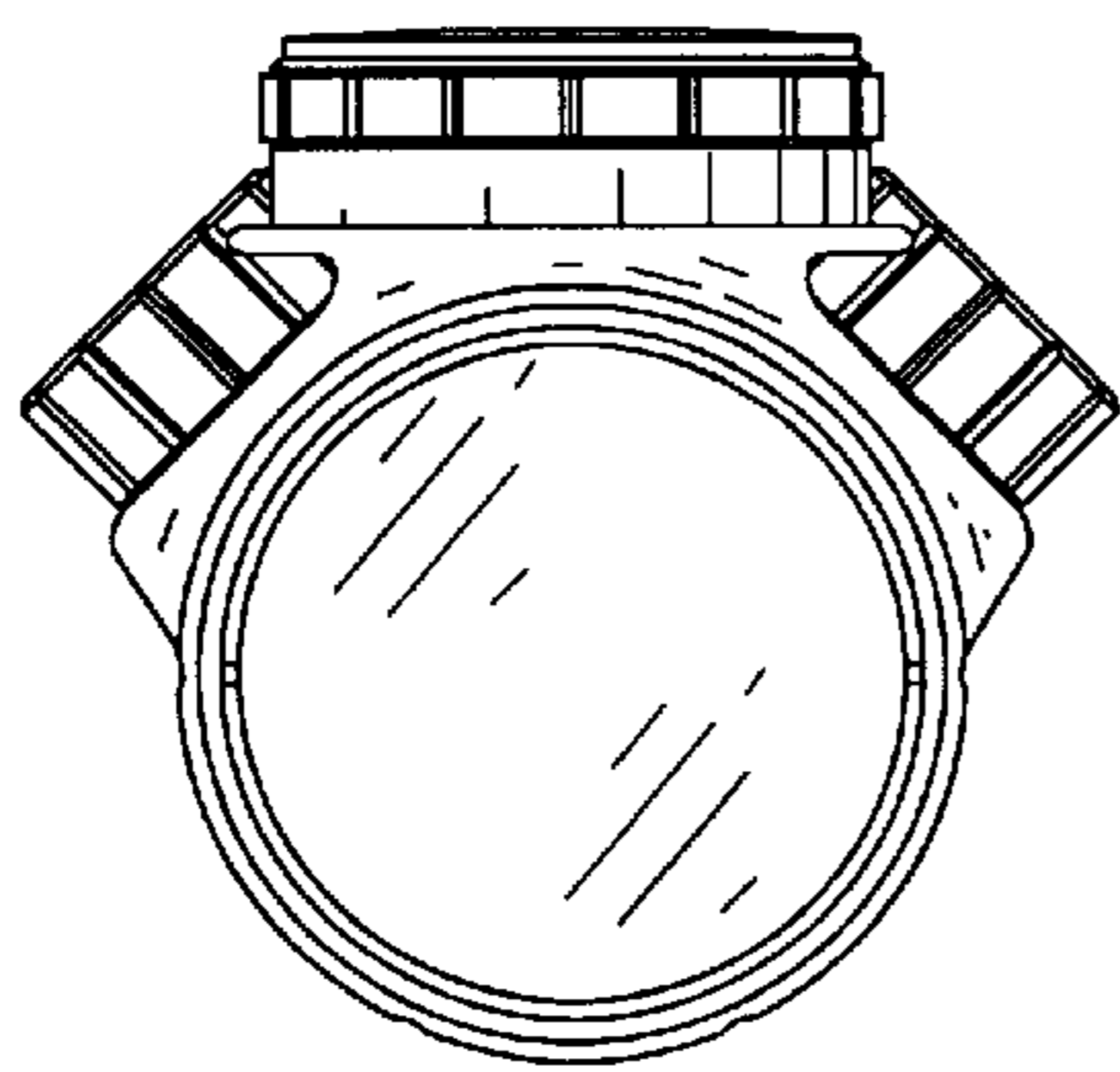


FIG. 12

