



US00D427274S

United States Patent [19]
Hicks

[11] **Patent Number: Des. 427,274**

[45] **Date of Patent: ** Jun. 27, 2000**

[54] **DUST COVER FOR FIREARM MAGAZINE WELL**

[76] Inventor: **Howard F. Hicks**, 4551A Yabes Ct., Colorado Springs, Colo. 80913

[**] Term: **14 Years**

[21] Appl. No.: **29/105,318**

[22] Filed: **May 21, 1999**

[51] **LOC (7) Cl.** **22-01**

[52] **U.S. Cl.** **D22/108; D22/199; D22/100**

[58] **Field of Search** **D22/100, 108, D22/199; 42/90, 96**

[56] **References Cited**

U.S. PATENT DOCUMENTS

1,245,499	11/1917	Orme	42/90
3,619,926	11/1971	Alday	42/96
4,570,370	2/1986	Smith et al.	42/90
4,619,062	10/1986	Johnson	42/70.11
4,872,279	10/1989	Boat	42/90
5,319,872	6/1994	Bammate	42/90 X

5,402,594	4/1995	Switzer	42/90
5,566,488	10/1996	Yap	42/49.02
5,651,204	7/1997	Hulsey et al.	42/50
5,651,208	7/1997	Benson	42/90 X
5,666,752	9/1997	Grams	42/49.02

Primary Examiner—Louis S. Zarfaz
Assistant Examiner—Monica A. Weingart
Attorney, Agent, or Firm—William E. Hein

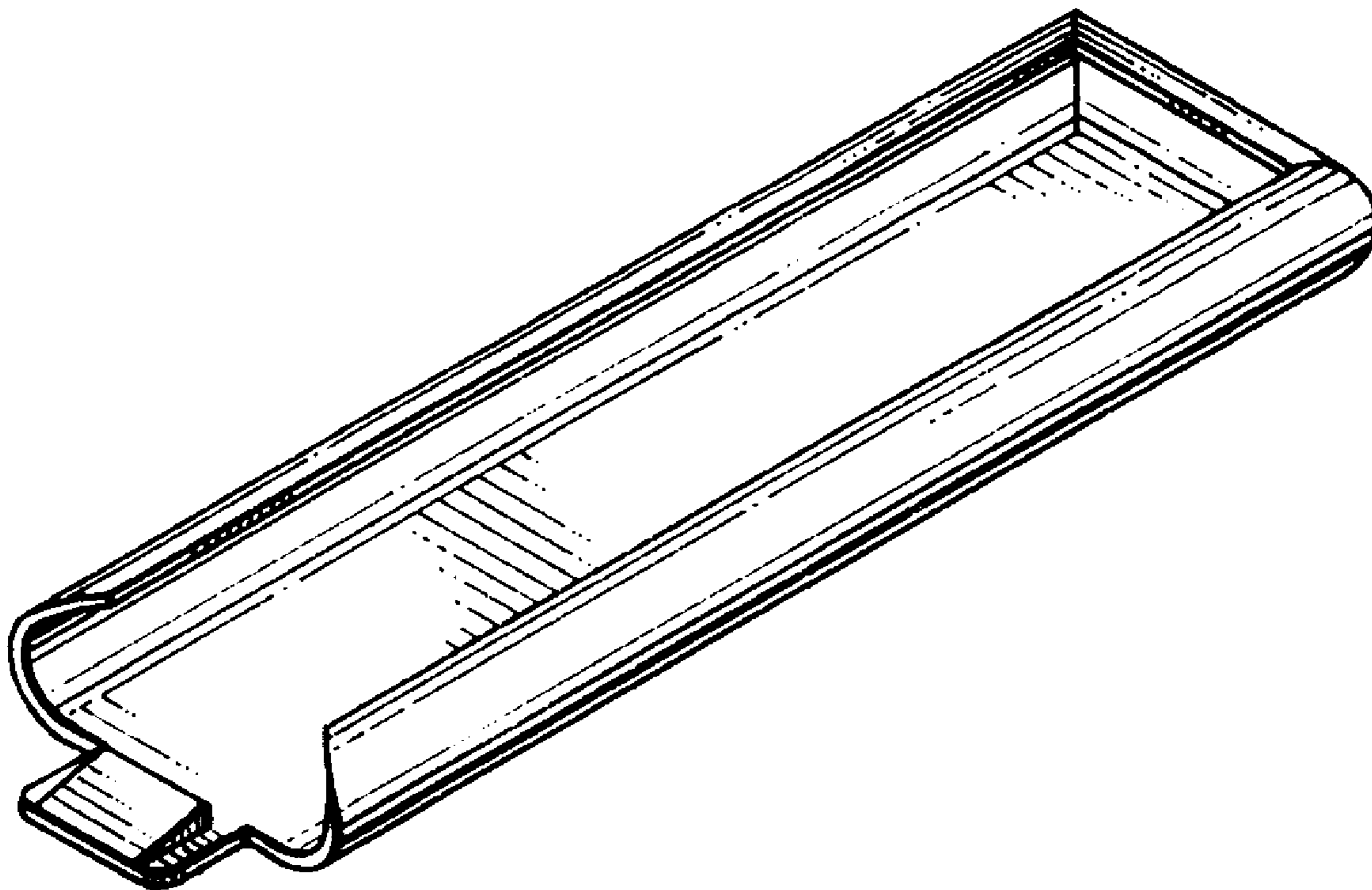
[57] **CLAIM**

The ornamental design for a dust cover for firearm magazine well, as shown and described.

DESCRIPTION

FIG. 1 is a front perspective view of a dust cover for a firearm magazine well, showing my new design; FIG. 2 is a top plan view; FIG. 3 is a bottom plan view; FIG. 4 is a rear elevation view; FIG. 5 is a front elevation view; FIG. 6 is left side elevation view; and, FIG. 7 is a right side elevation view.

1 Claim, 1 Drawing Sheet



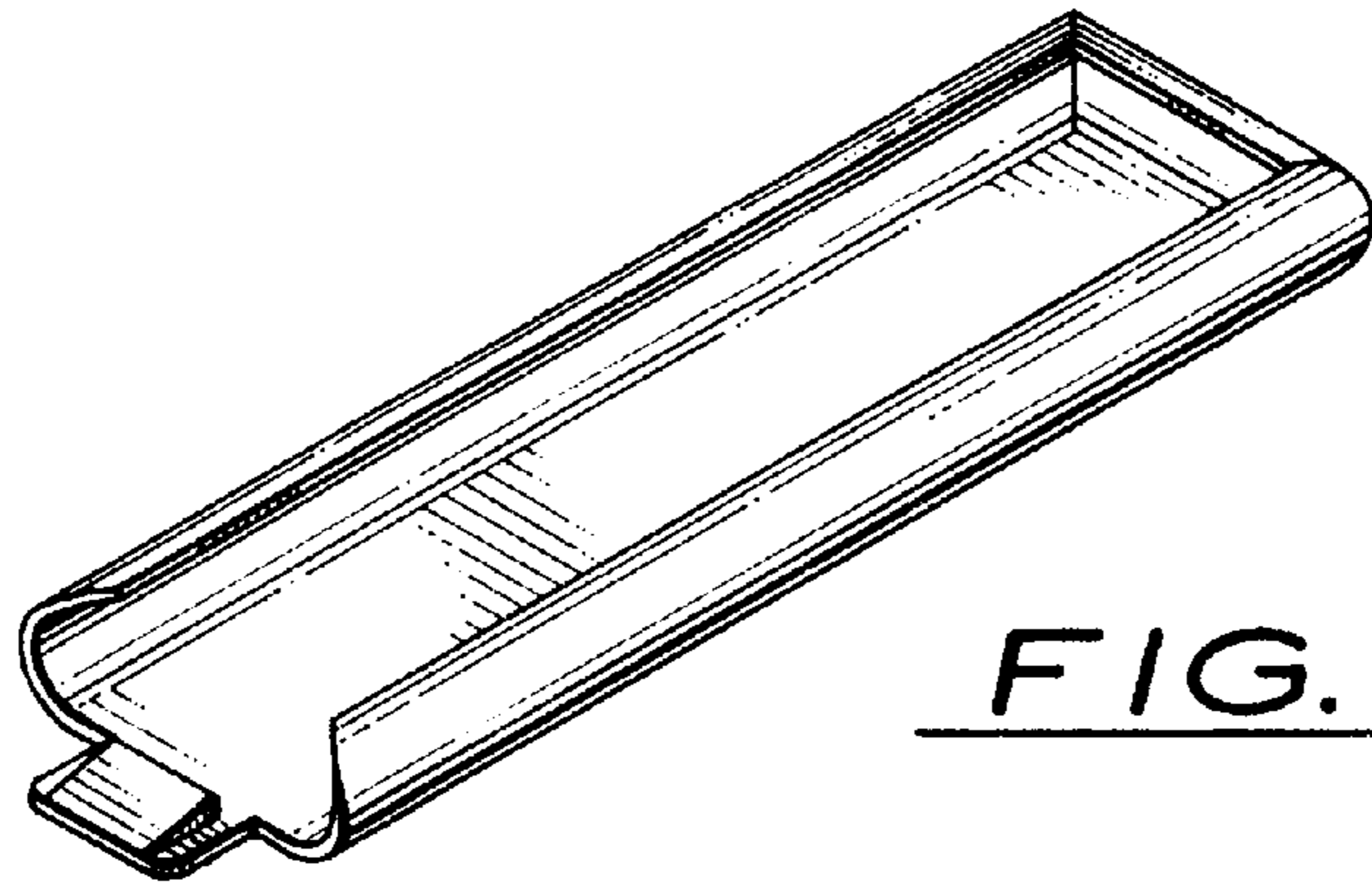


FIG. 1

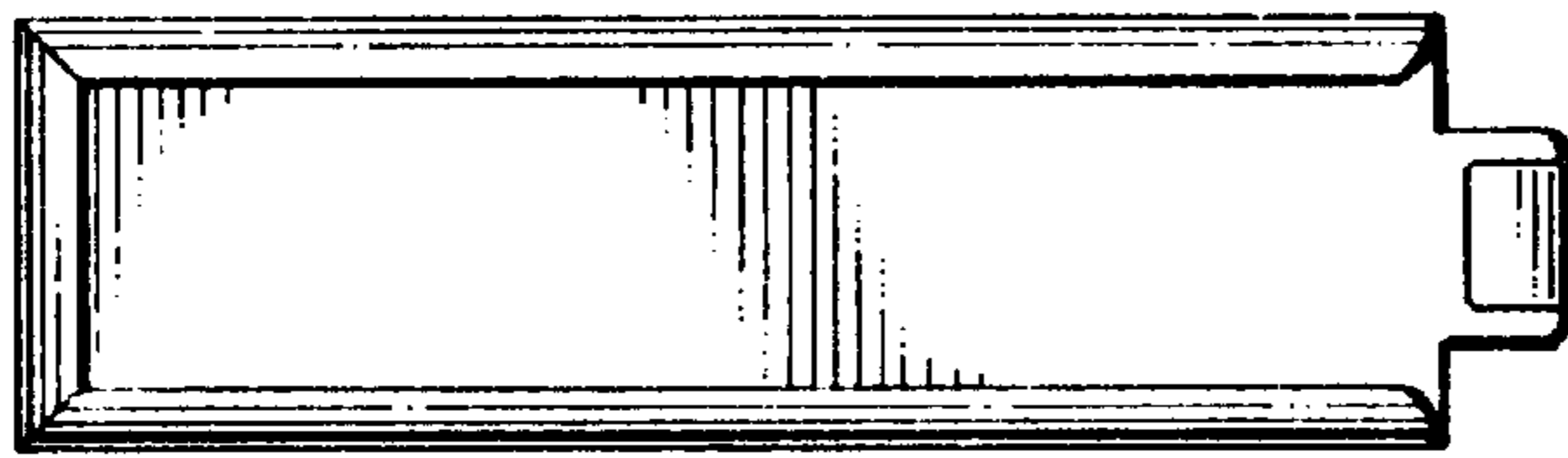


FIG. 2

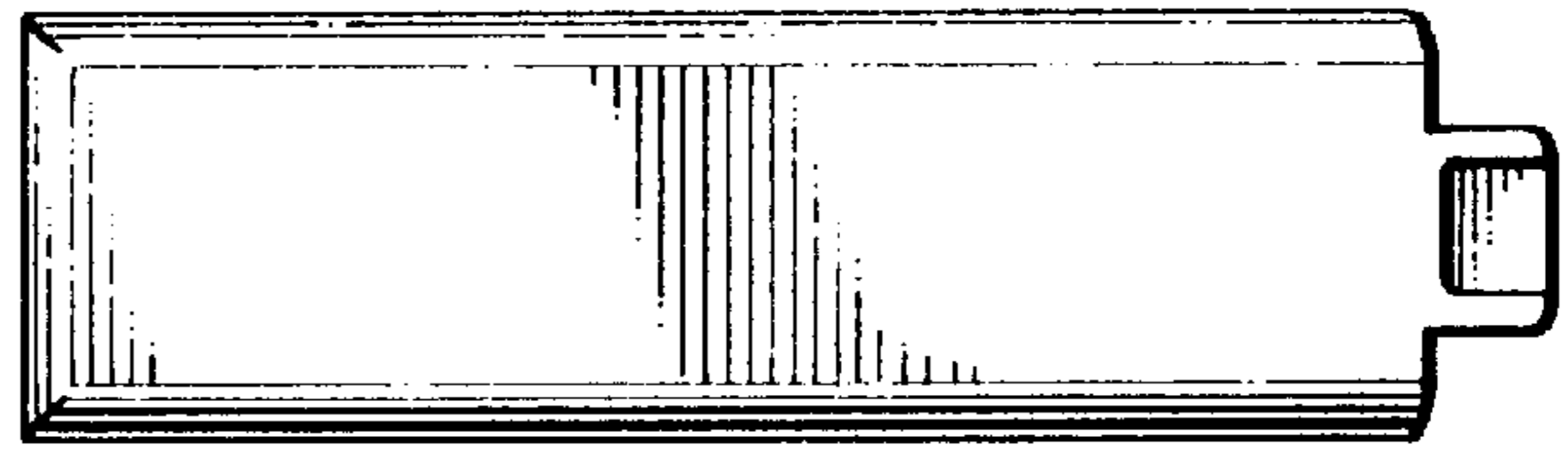


FIG. 3

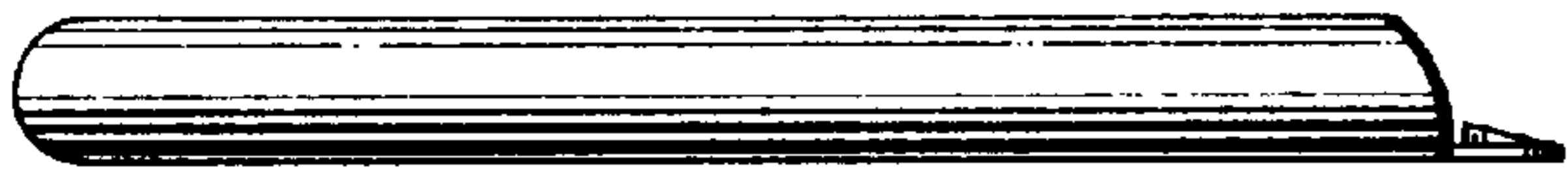


FIG. 4

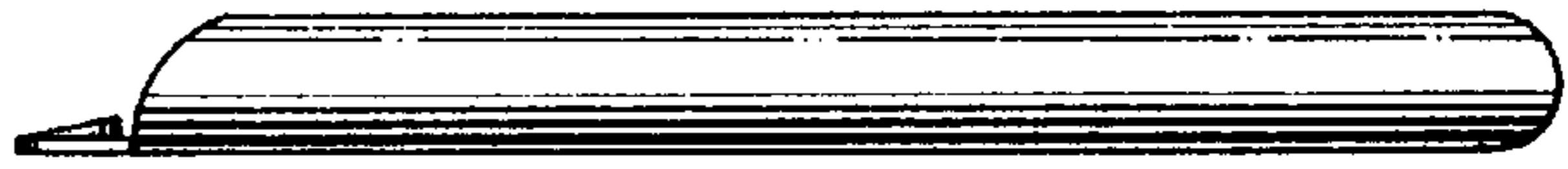


FIG. 5



FIG. 6

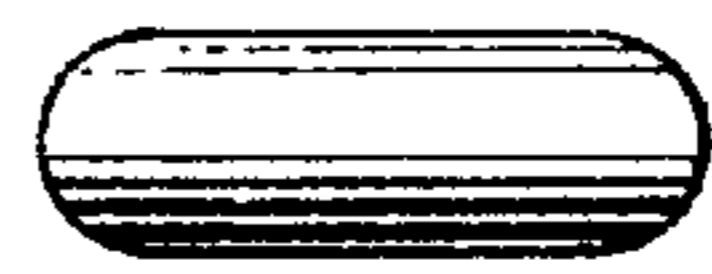


FIG. 7