



US00D427273S

# United States Patent [19]

[11] **Patent Number: Des. 427,273**

**Plonka**

[45] **Date of Patent: \*\* Jun. 27, 2000**

[54] **SCOPE MOUNTED EMPTY BRASS DEFLECTOR**

4,594,803	6/1986	Muncy .....	42/98
5,398,439	3/1995	Harless .....	42/98
5,669,172	9/1997	Goral .....	42/93

[76] Inventor: **Skip M. Plonka**, 7S065 Suffield Ct., Unit #106, Westmont, Ill. 60559-3045

*Primary Examiner*—Louis S. Zarfes  
*Assistant Examiner*—Monica A. Weingart

[\*\*] Term: **14 Years**

[57] **CLAIM**

[21] Appl. No.: **29/102,091**

I claim the ornamental design for a scope mounted empty brass deflector, as shown.

[22] Filed: **Mar. 17, 1999**

### DESCRIPTION

[51] **LOC (7) Cl.** ..... **22-01**

[52] **U.S. Cl.** ..... **D22/108; D22/100; D22/109; D22/110; D22/199**

FIG. 1 is a perspective view of a scope mounted empty brass deflector showing my new design.

FIG. 2 is a top plan view thereof;

FIG. 3 is a front elevational view thereof;

FIG. 4 is a side elevational view thereof;

FIG. 5 is a side elevational view thereof; and,

FIG. 6 is a bottom plan view thereof.

[58] **Field of Search** ..... D22/100, 108, D22/109, 110, 199; 42/90, 96, 98

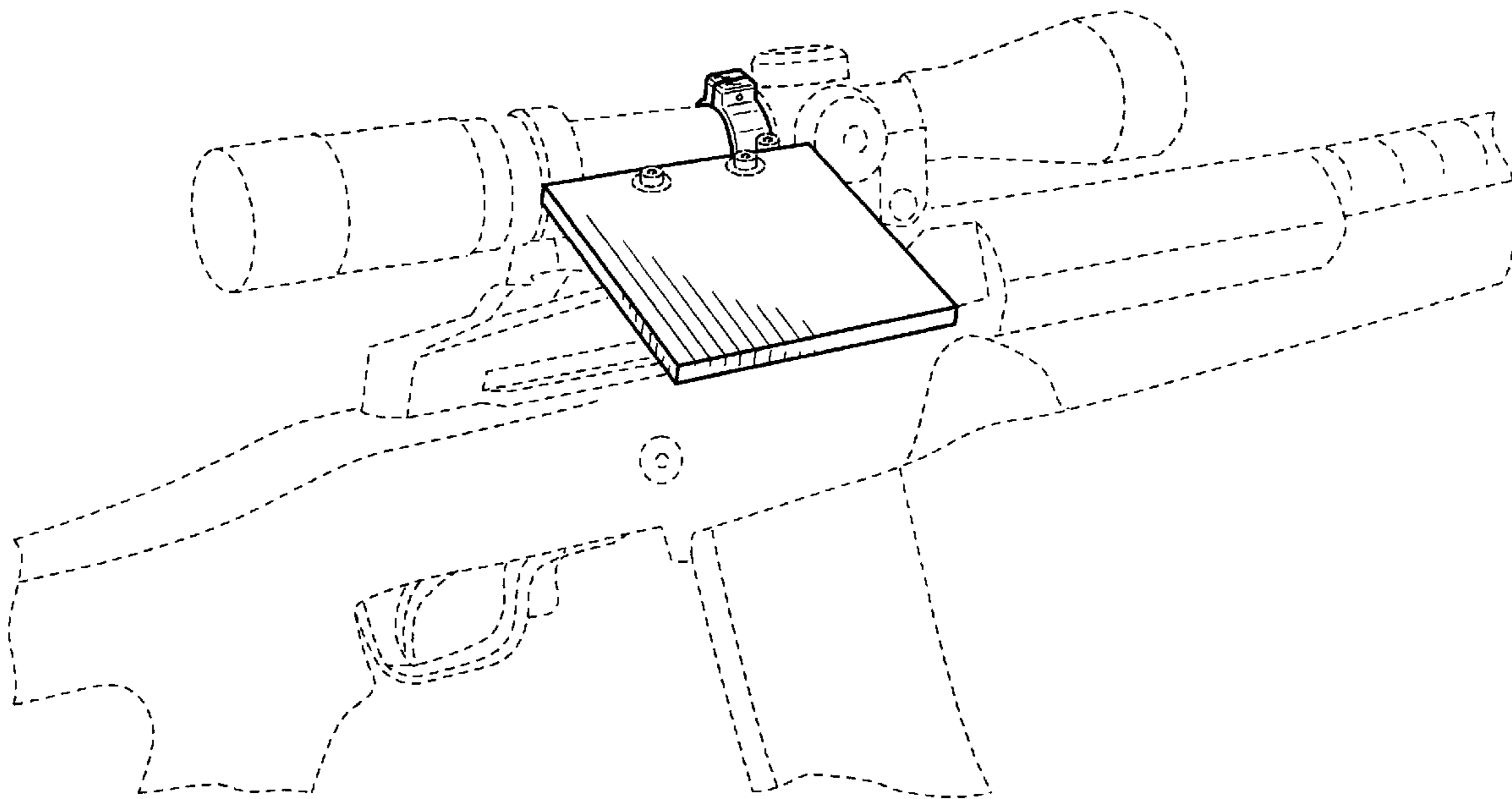
The firearm and the attached firearm scope are shown in broken lines for illustrative purposes only and form no part of the claimed design.

### [56] **References Cited**

#### U.S. PATENT DOCUMENTS

D. 382,624	8/1997	Benson .....	D22/108
804,661	11/1905	Johnson .....	42/98
1,201,189	10/1916	Johson .....	42/98
3,755,946	9/1973	Tomlinson et al. ....	42/98 X

**1 Claim, 3 Drawing Sheets**



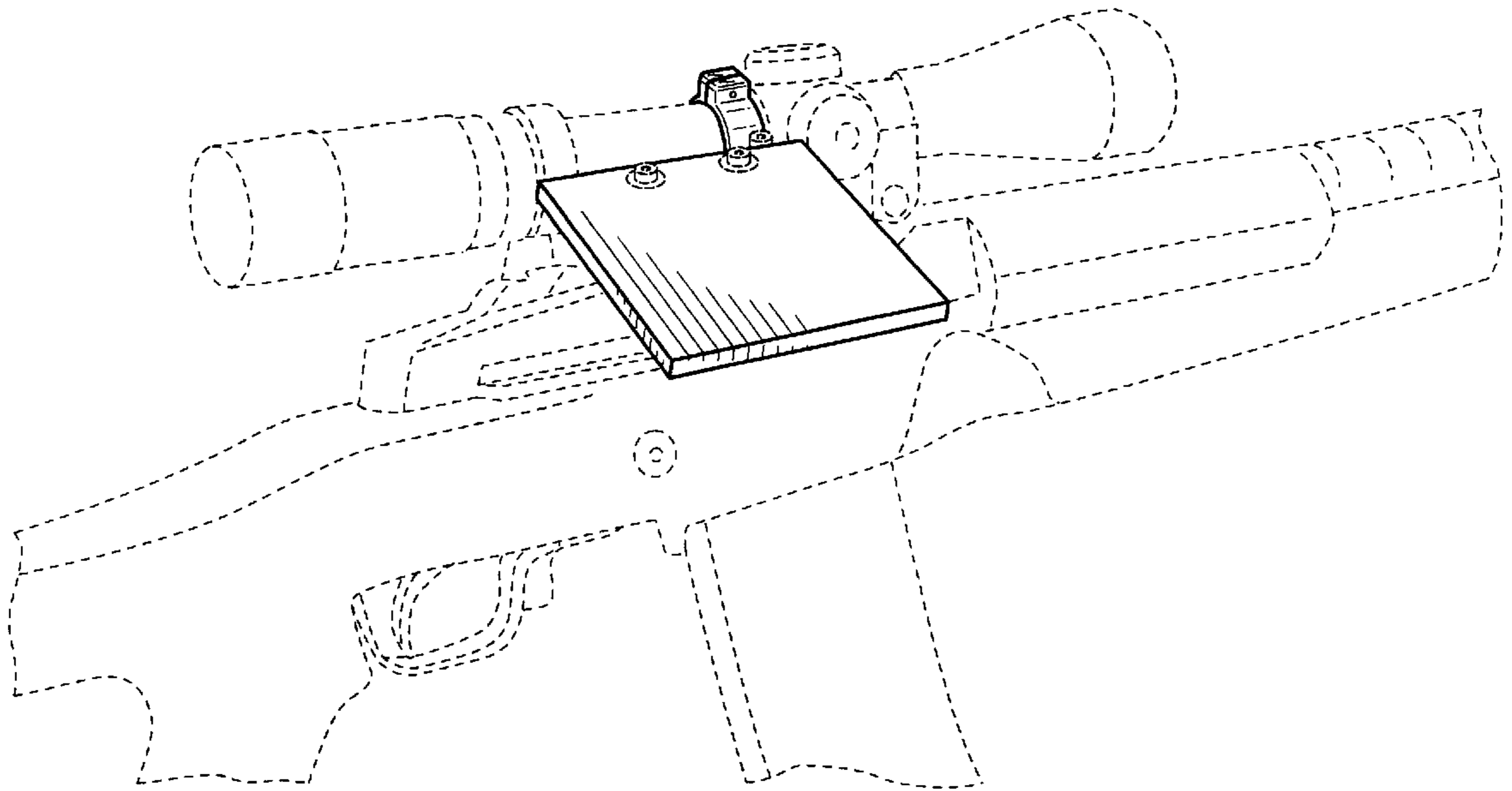


FIG. 1

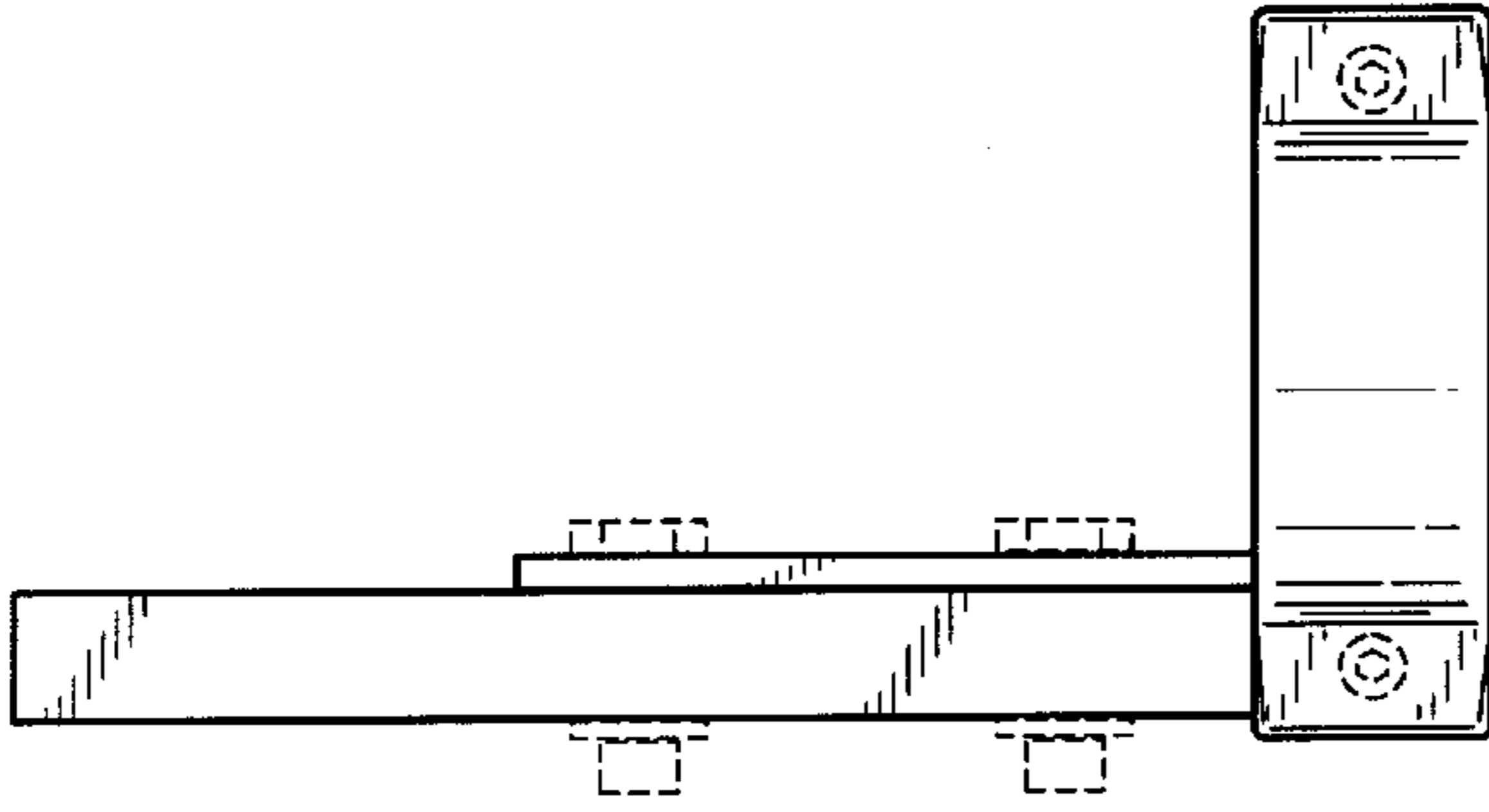


FIG. 4

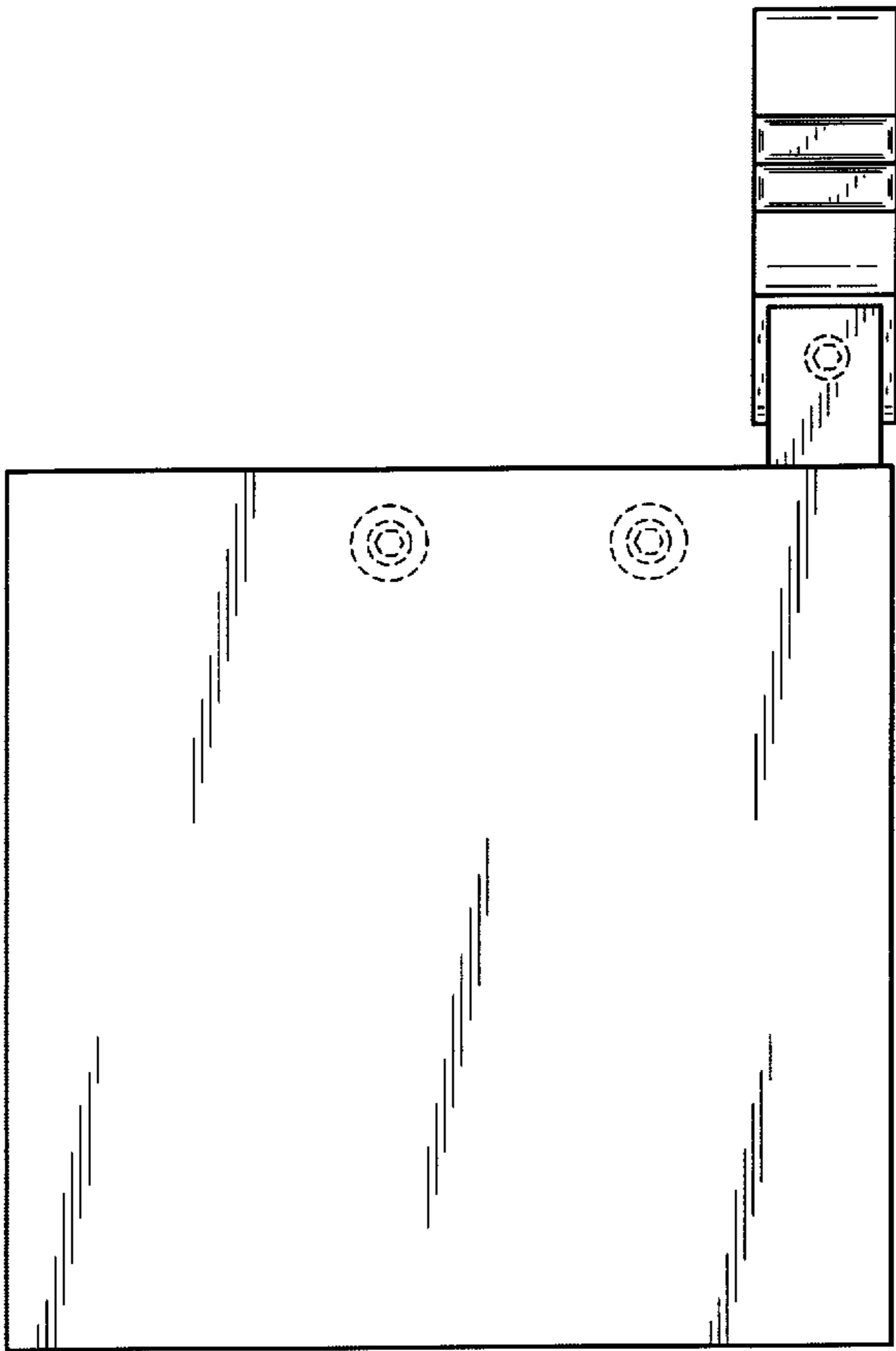


FIG. 2

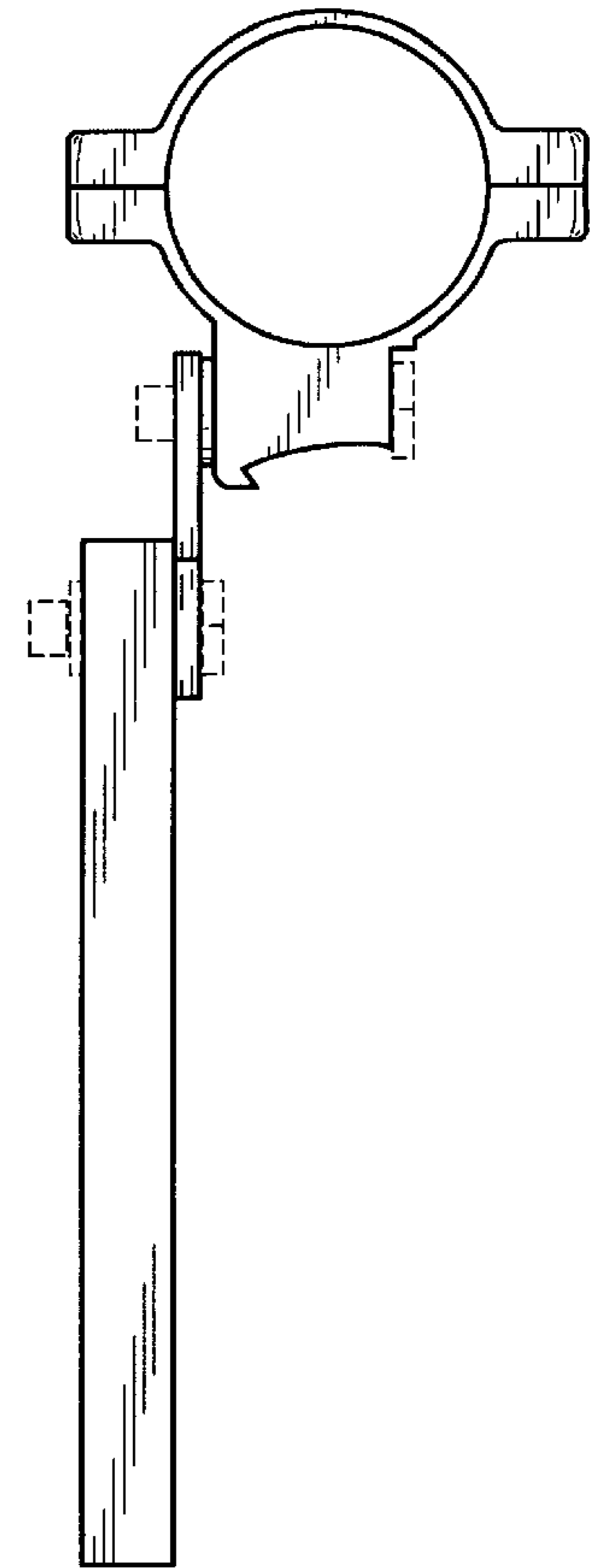


FIG. 3

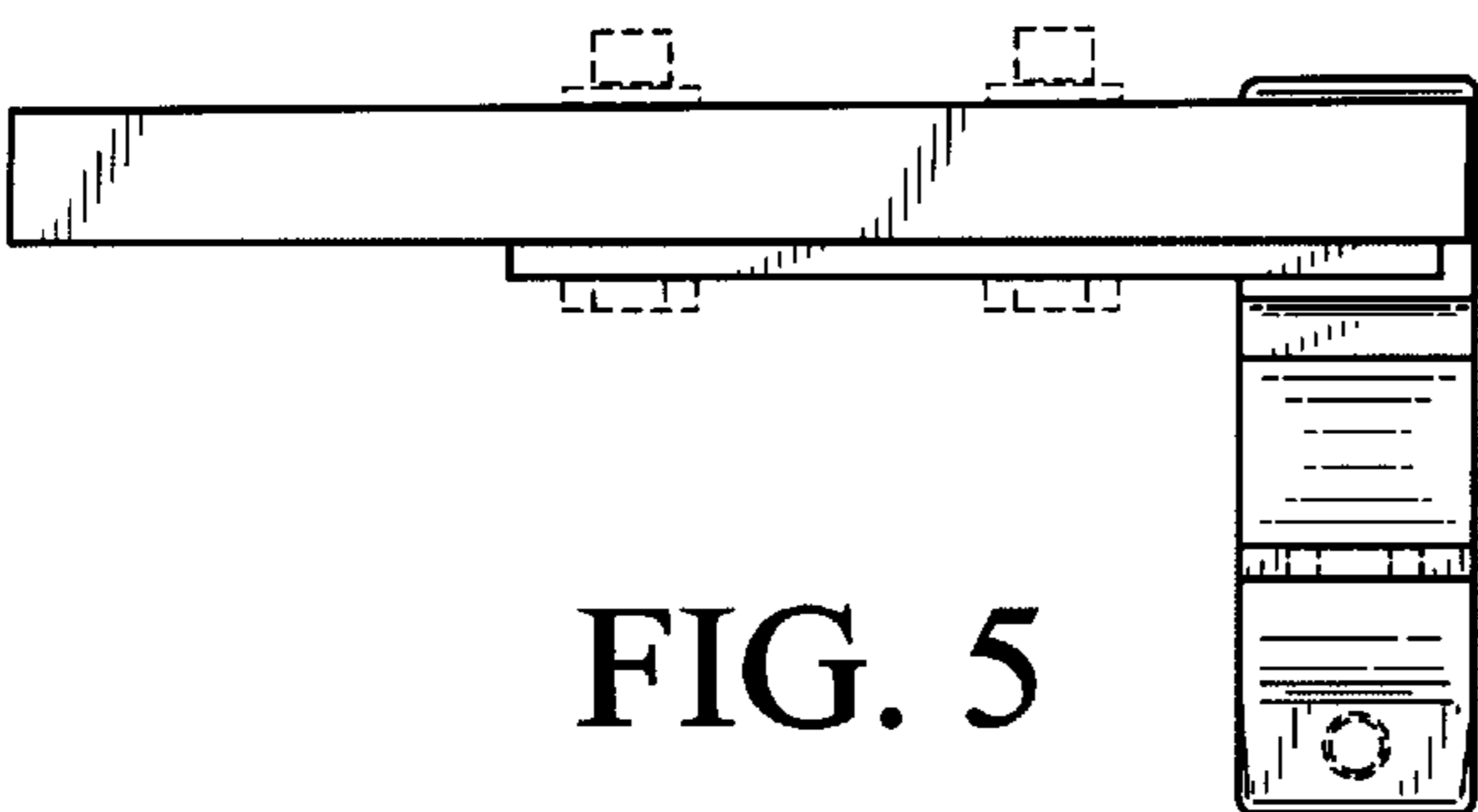


FIG. 5

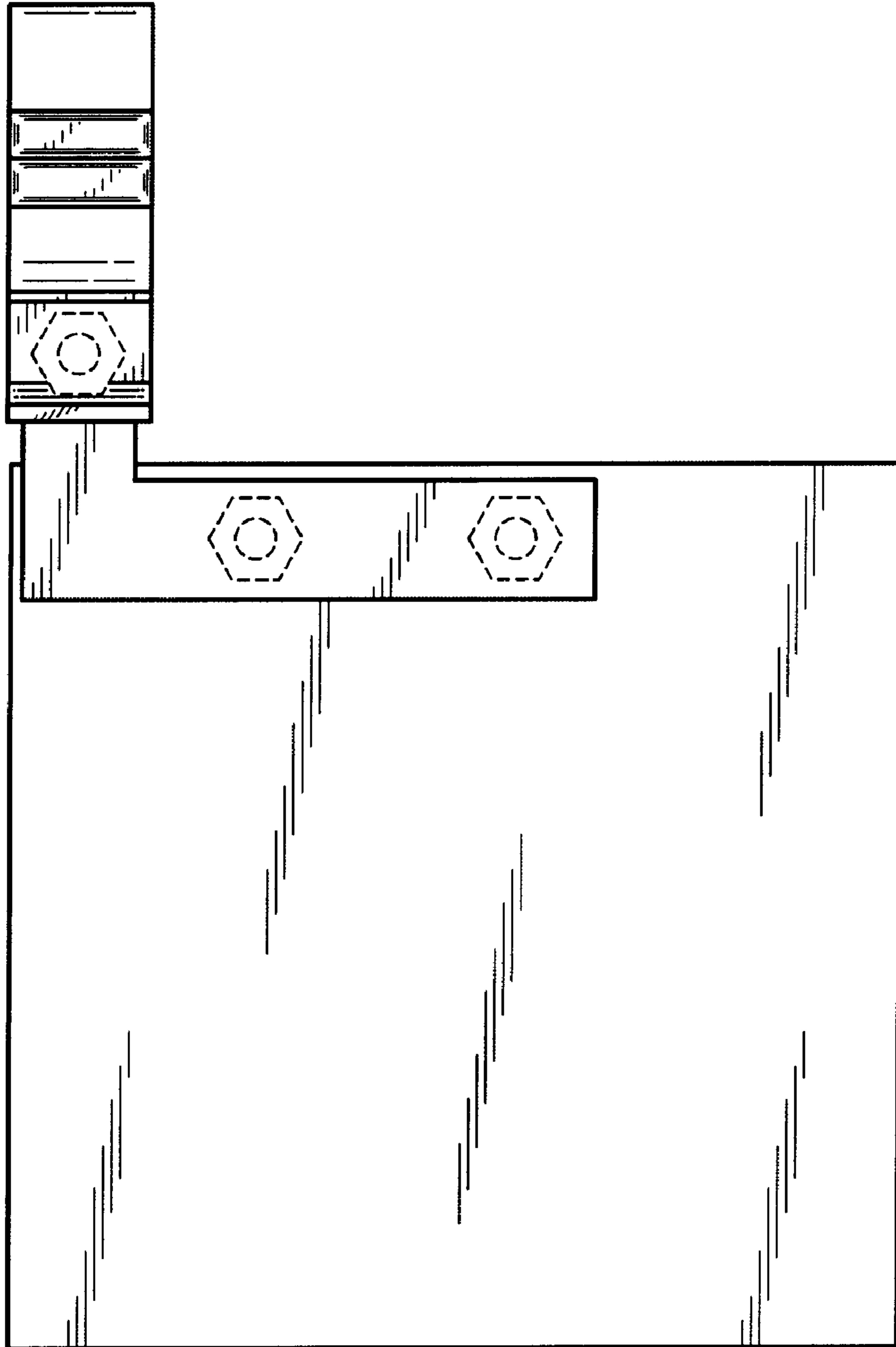


FIG. 6