



US00D427272S

United States Patent [19]

Sutton et al.

[11] Patent Number: Des. 427,272

[45] Date of Patent: ** Jun. 27, 2000

[54] PLAYGROUND SLIDE

5,842,927 12/1998 Rieber 472/116

[76] Inventors: Wesley D. Sutton, 104 Rainbow Dr. SW., Fort Payne, Ala. 35967; Kim Blackwood, 11791 Country Highway 26, Blountsville, Ala. 35031

Primary Examiner—Mitchell Siegel

[**] Term: 14 Years

[57] CLAIM

The ornamental design for a playground slide, as shown and described.

[21] Appl. No.: 29/113,842

[22] Filed: Nov. 12, 1999

[51] LOC (7) Cl. 21-03

[52] U.S. Cl. D21/818

[58] Field of Search D21/818, 819, D21/822, 826, 827; 472/116, 117; 482/35, 36

DESCRIPTION

FIG. 1 is a perspective view of the playground slide design; FIG. 2 is a right side view of the playground slide design of the subject invention of FIG. 1; FIG. 3 is a front plan view of the playground slide design of FIG. 1; FIG. 4 is a left side view of the playground slide design of FIG. 1; FIG. 5 is a rear view of the playground slide design of FIG. 1; FIG. 6 is a top view of the playground slide design of FIG. 1; and, FIG. 7 is a bottom view of the playground slide design of FIG. 1.

[56] References Cited

U.S. PATENT DOCUMENTS

D. 388,148	12/1997	Sutton et al.	D21/818
D. 400,948	11/1998	Fisj, Jr. et al.	D21/818
D. 410,060	5/1999	Zeilinger	D21/818

1 Claim, 4 Drawing Sheets

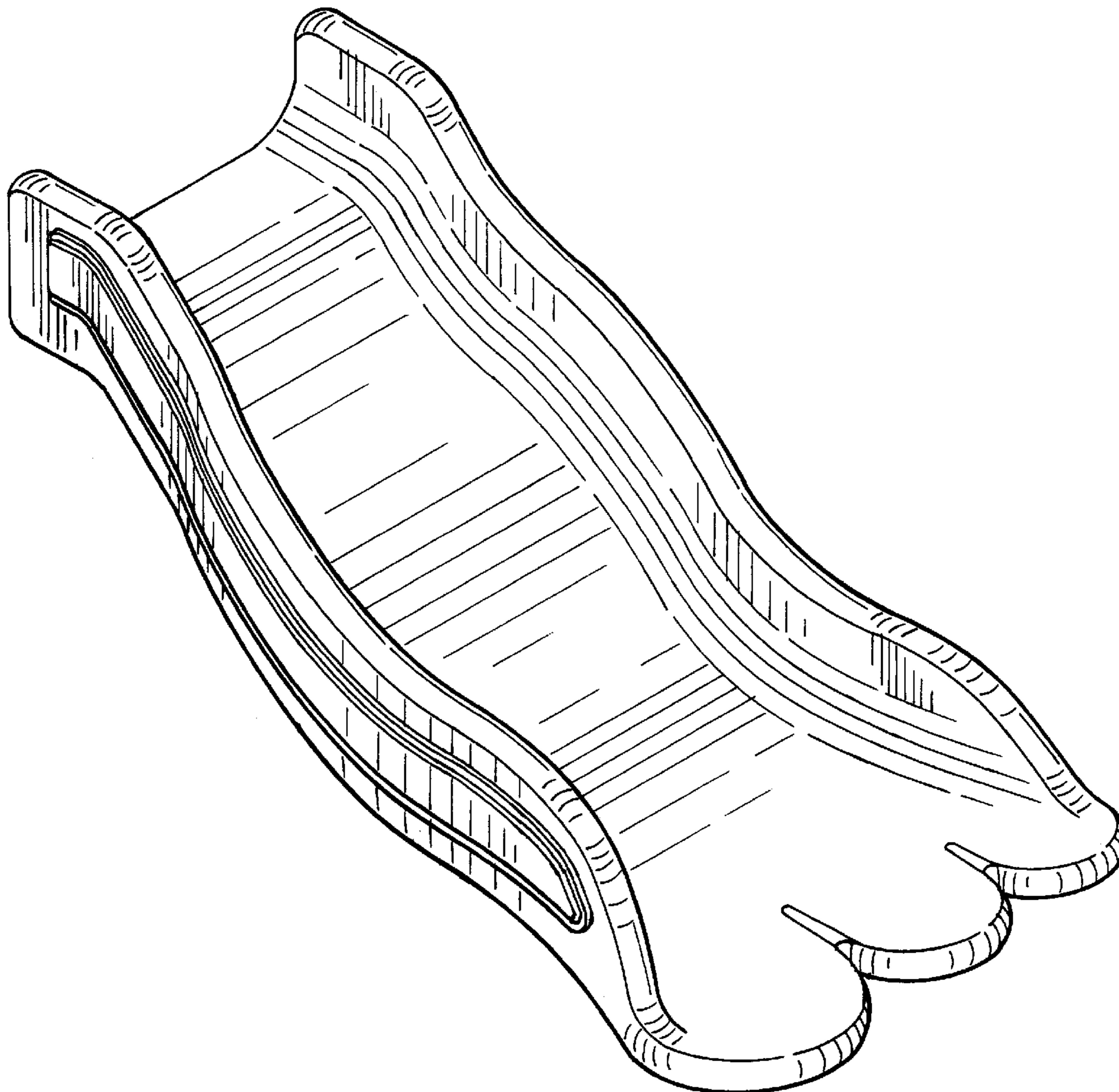


FIG. 1

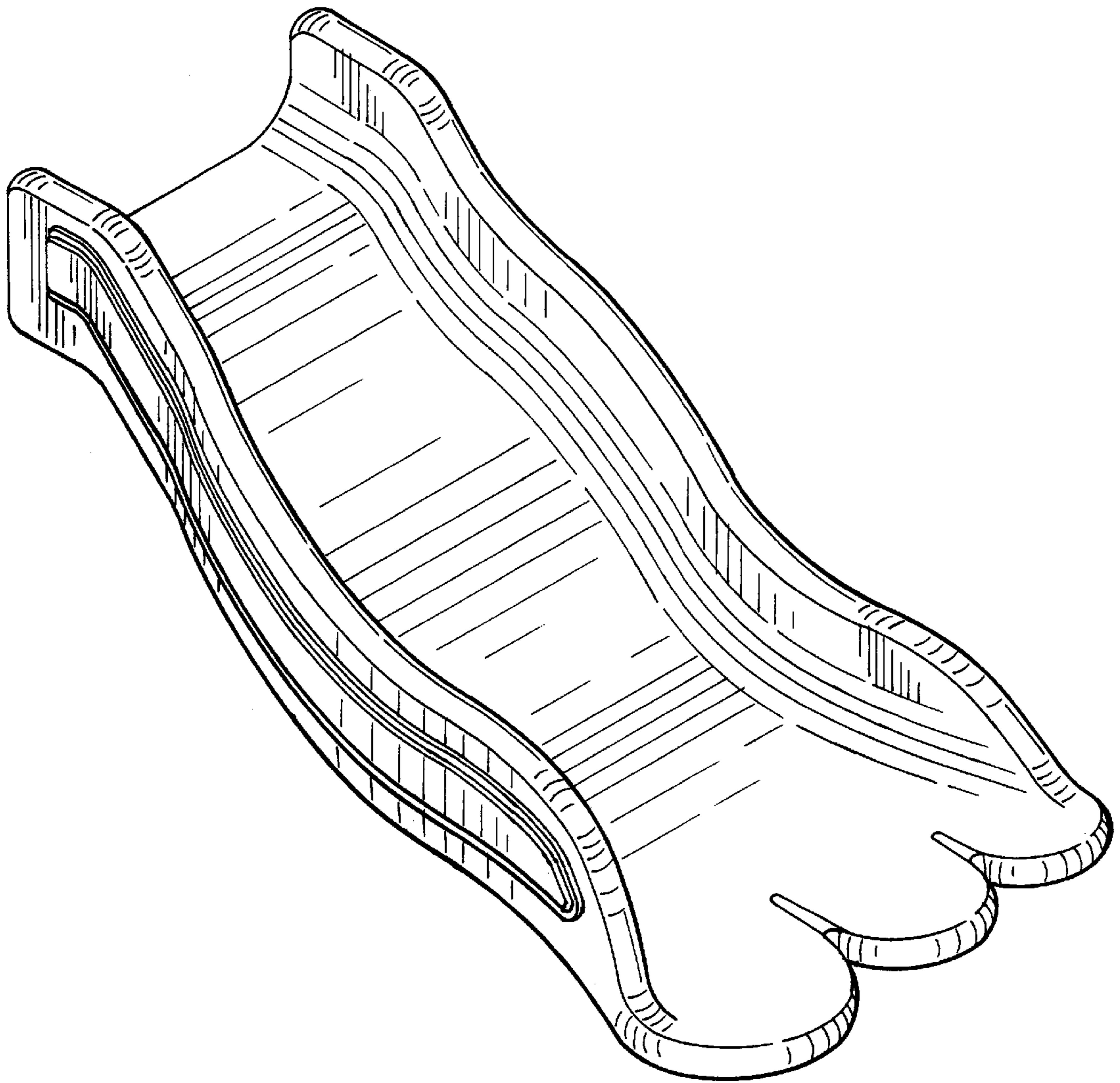


FIG.3

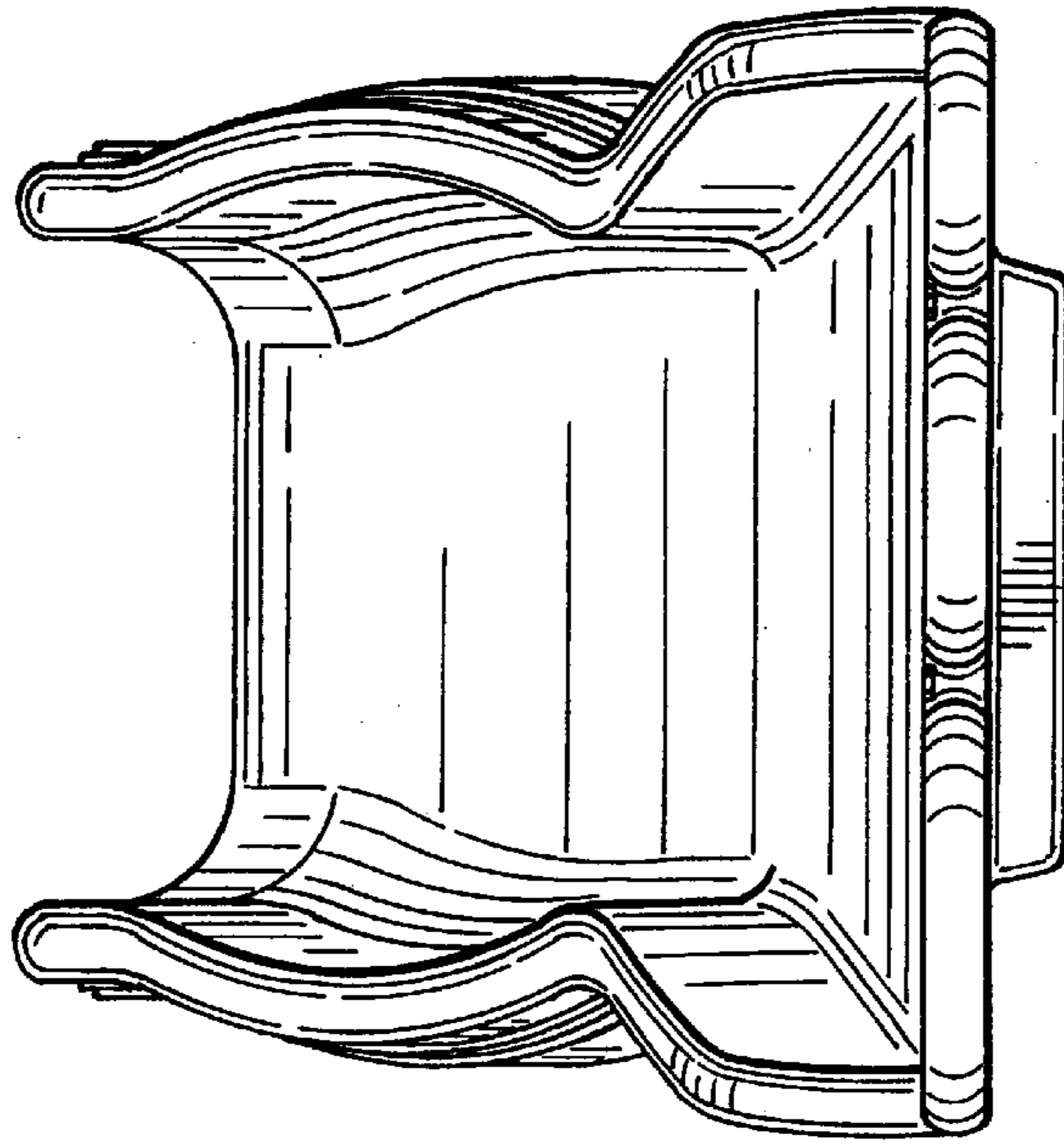


FIG.2

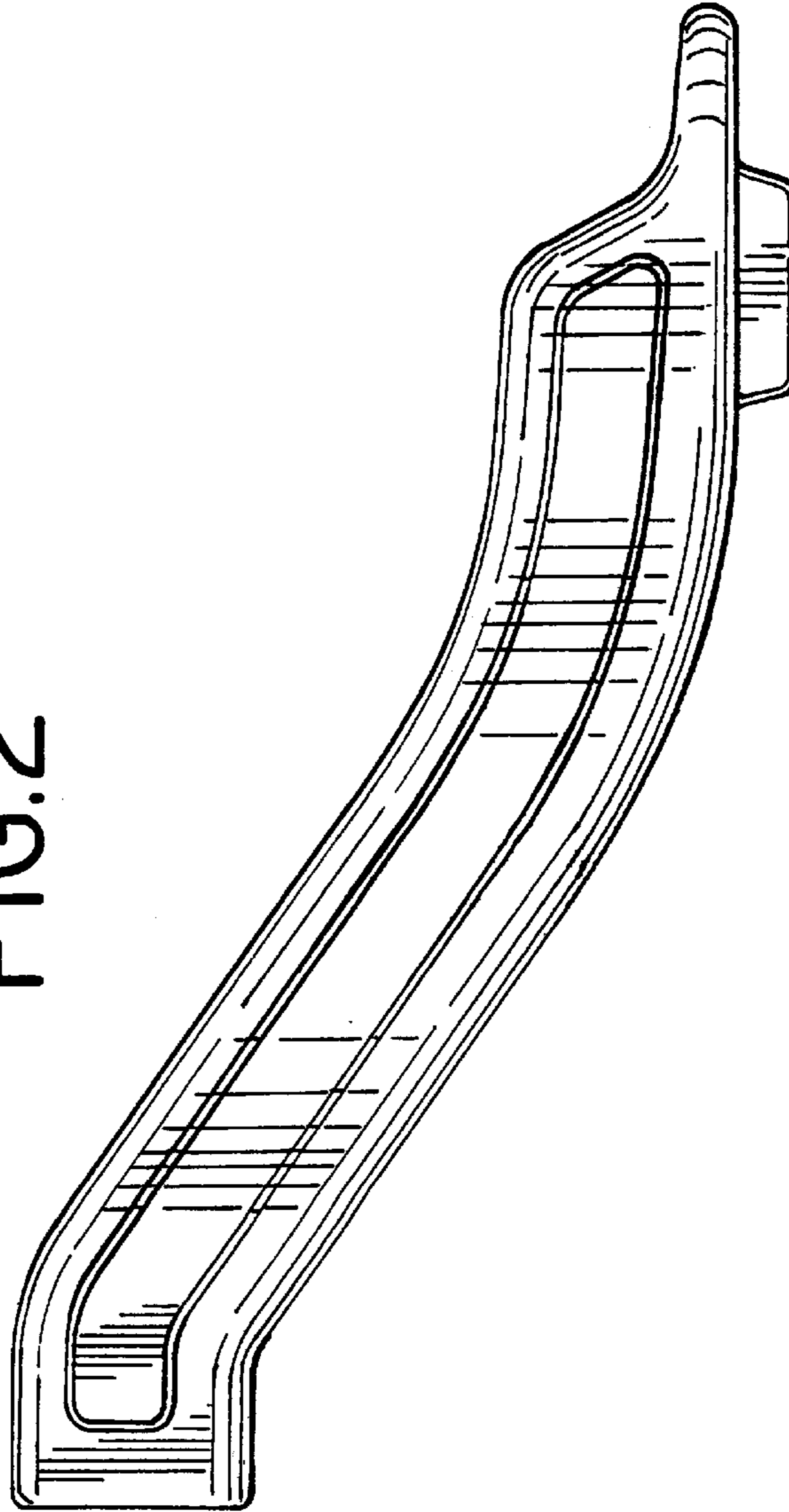


FIG.5

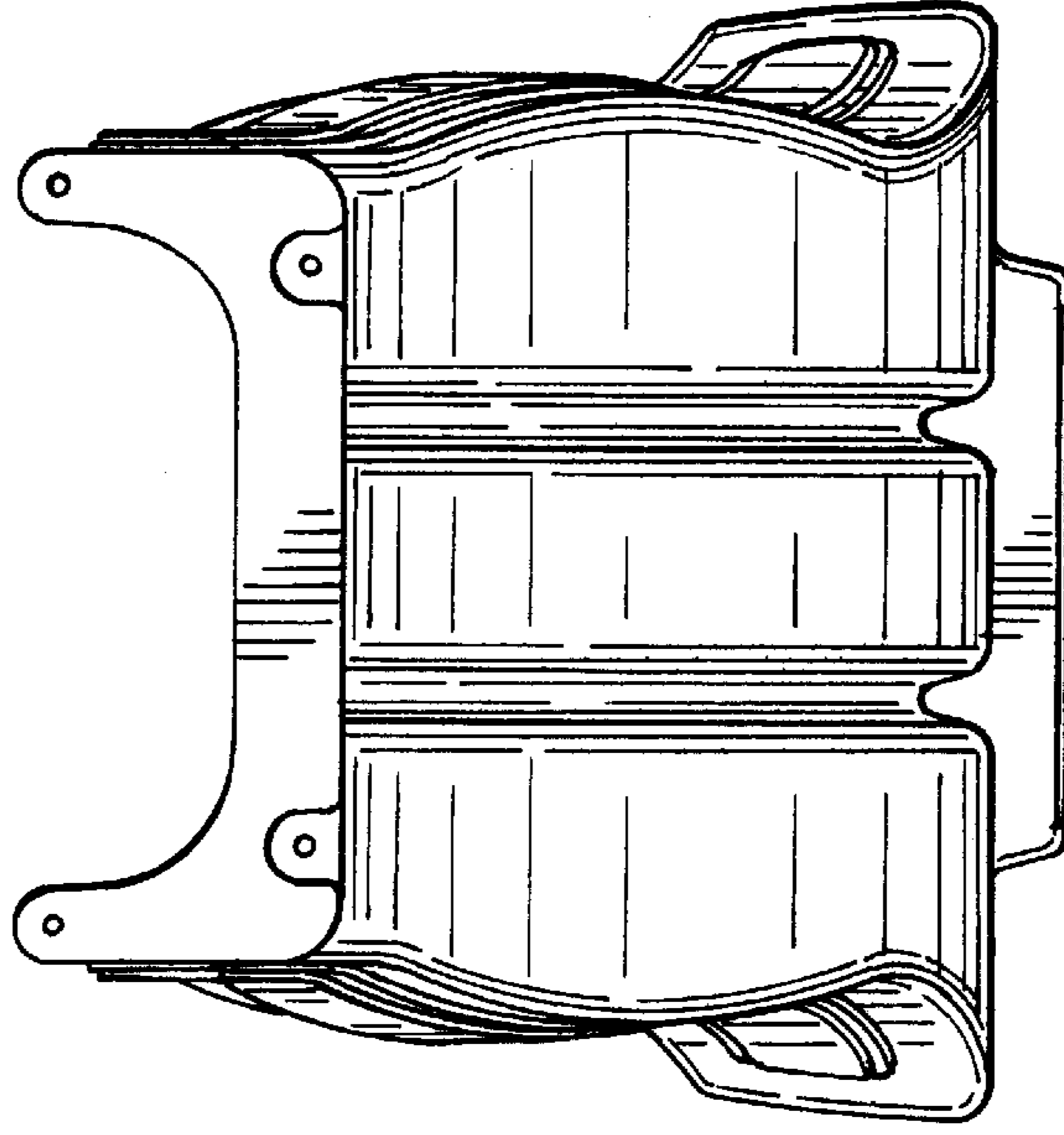


FIG.4

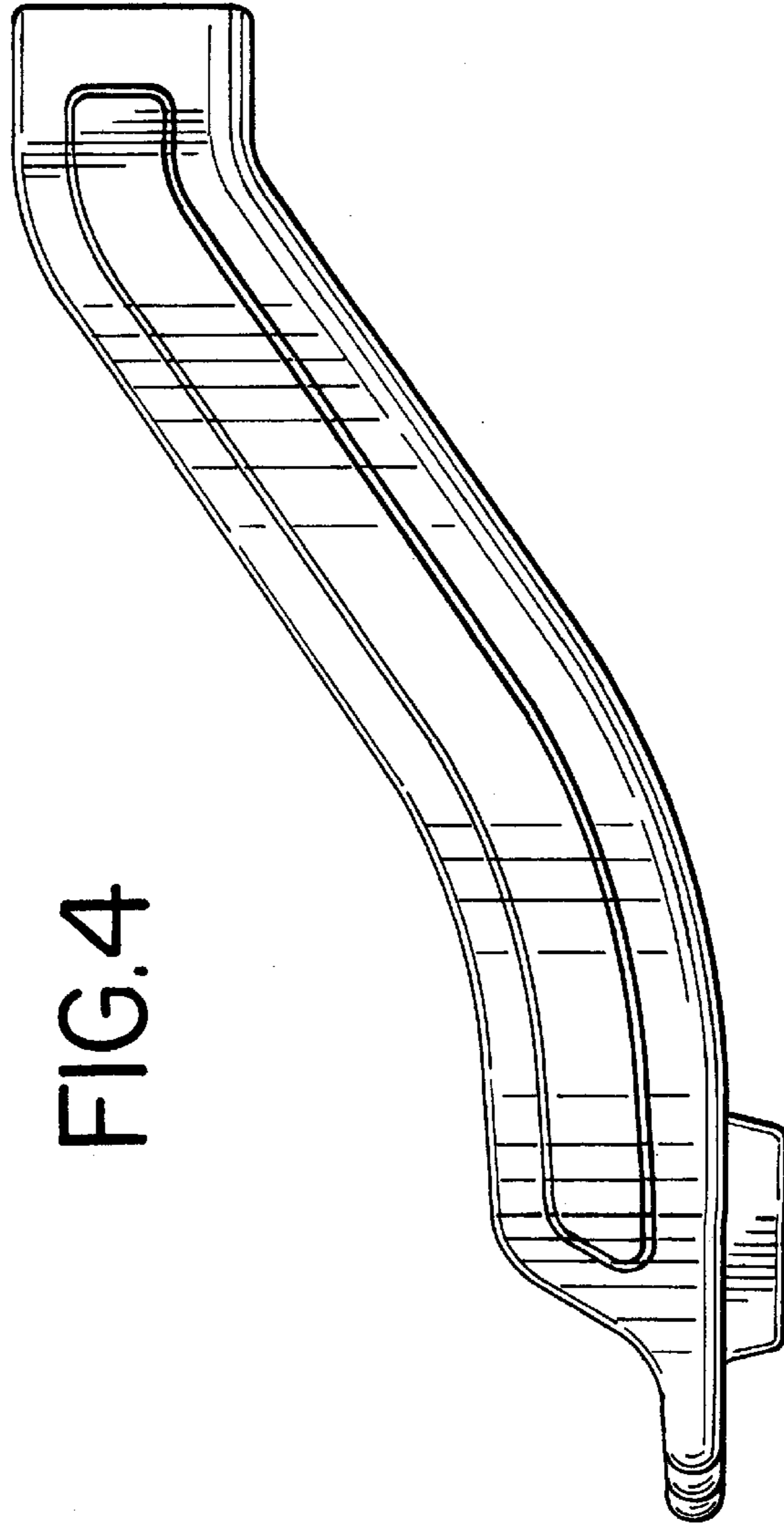


FIG.6

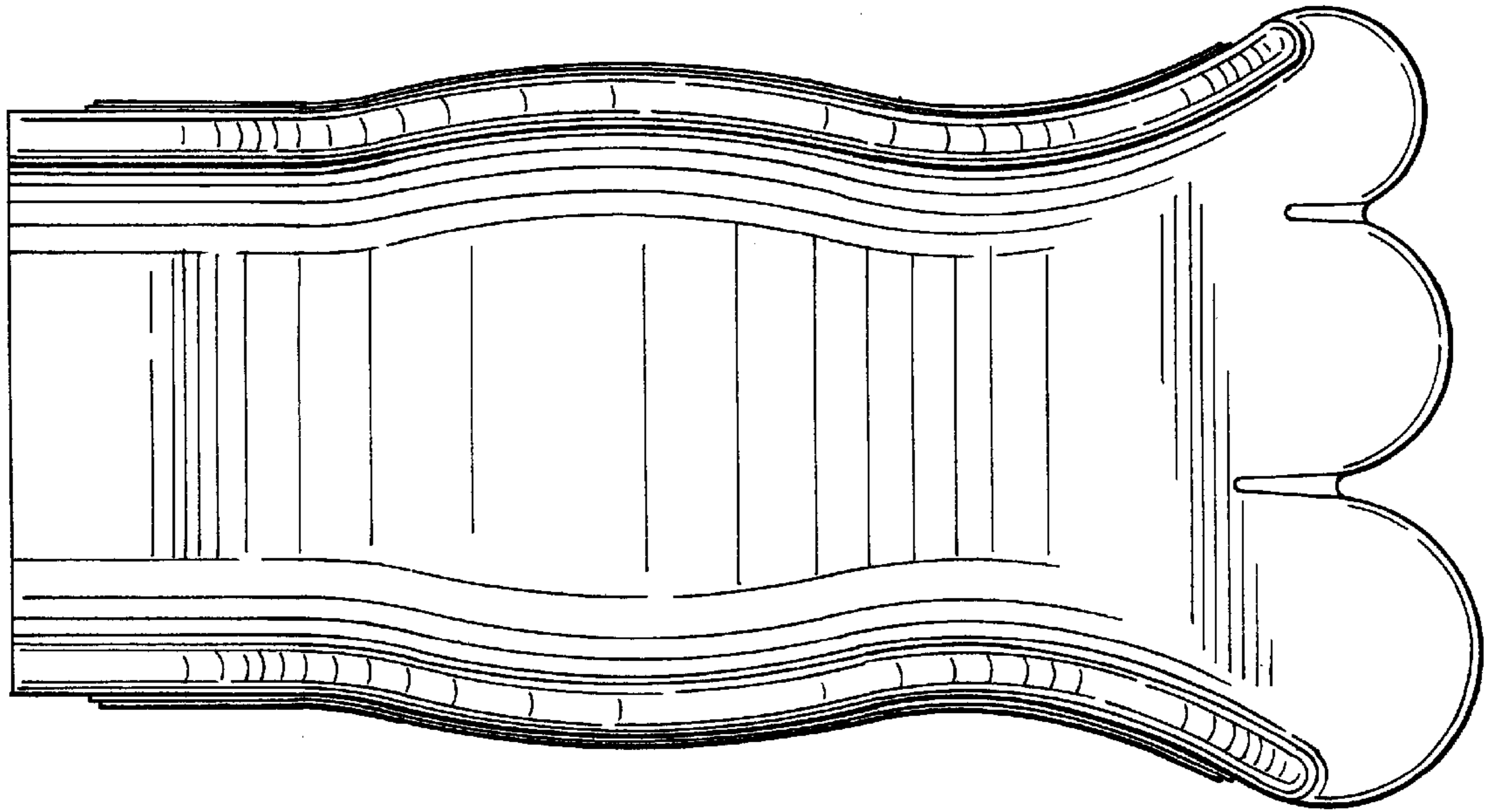


FIG.7

