



US00D427271S

# United States Patent [19]

Sutton et al.

[11] Patent Number: Des. 427,271

[45] Date of Patent: \*\* Jun. 27, 2000

[54] PLAYGROUND STAIRS

D. 378,395 3/1997 Olson ..... D21/820

[75] Inventors: Wesley D. Sutton; Michael Yates, both of Fort Payne; Brandon McBride, Langton, all of Ala.

Primary Examiner—Mitchell Siegel  
Attorney, Agent, or Firm—Welsh & Katz, Ltd.

[73] Assignee: Playcore, Inc., Janesville, Wis.

### [57] CLAIM

[\*\*] Term: 14 Years

The ornamental design for a playground stairs, as shown and described.

[21] Appl. No.: 29/113,544

### DESCRIPTION

[22] Filed: Nov. 5, 1999

FIG. 1 is a perspective view of the playground stairs design; FIG. 2 is a left side view of the playground stairs design of the subject invention of FIG. 1, the opposite side being a mirror image thereof; FIG. 3 is a front plan view of the playground stairs design of FIG. 1; FIG. 4 is a rear view of the playground stairs design of FIG. 1; FIG. 5 is a top view of the playground stairs design of FIG. 1; and, FIG. 6 is a bottom view of the playground stairs design of FIG. 1.

[51] LOC (7) Cl. .... 21-03

[52] U.S. Cl. .... D21/814; D21/826

[58] Field of Search ..... D21/818, 820, D21/826, 827, 814; 472/116, 117, 130; 482/35, 36

### [56] References Cited

#### U.S. PATENT DOCUMENTS

- D. 321,922 11/1991 Basore ..... D21/820
- D. 358,442 5/1995 Houry et al. .... D21/826

1 Claim, 3 Drawing Sheets

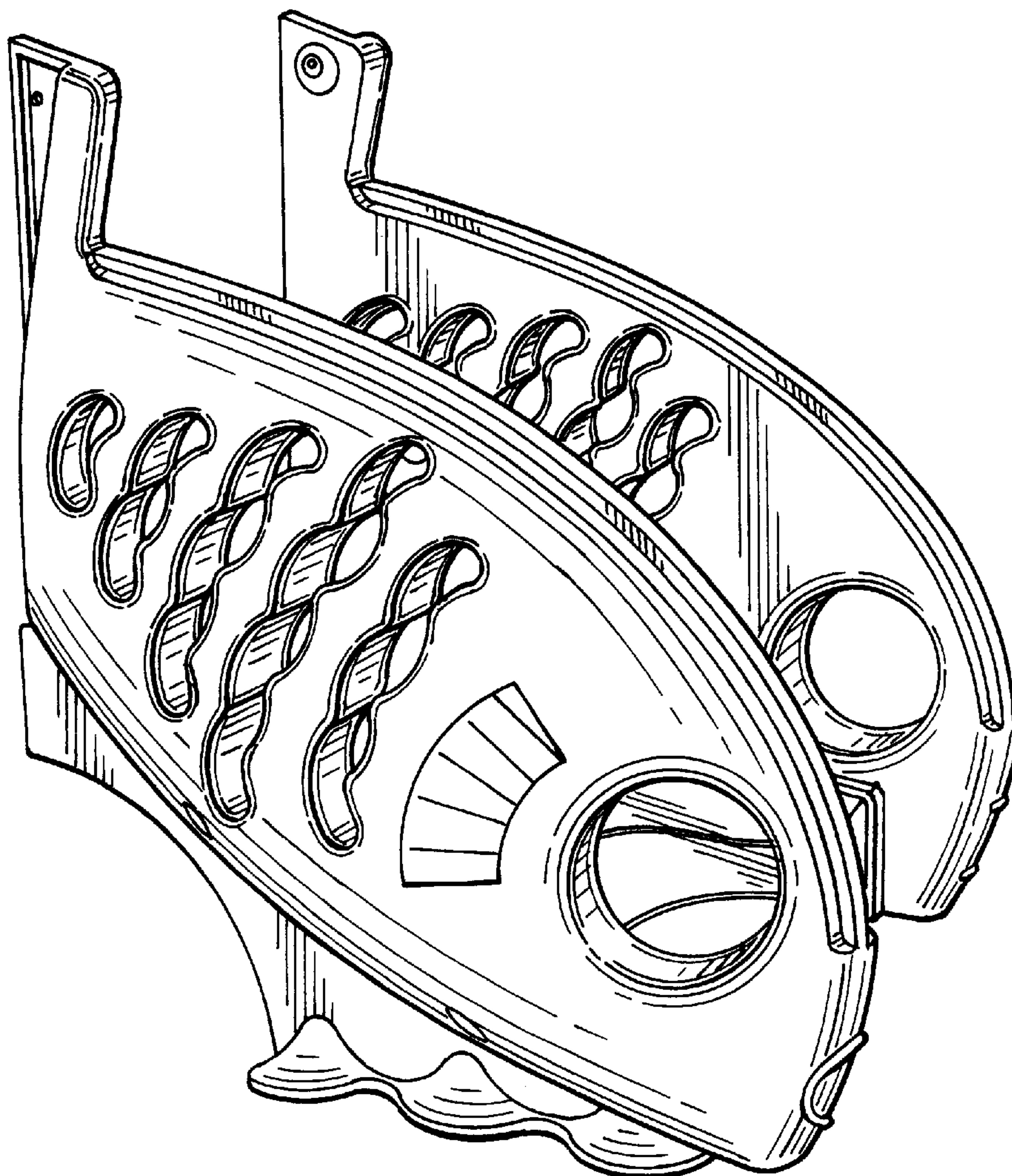


FIG. 1

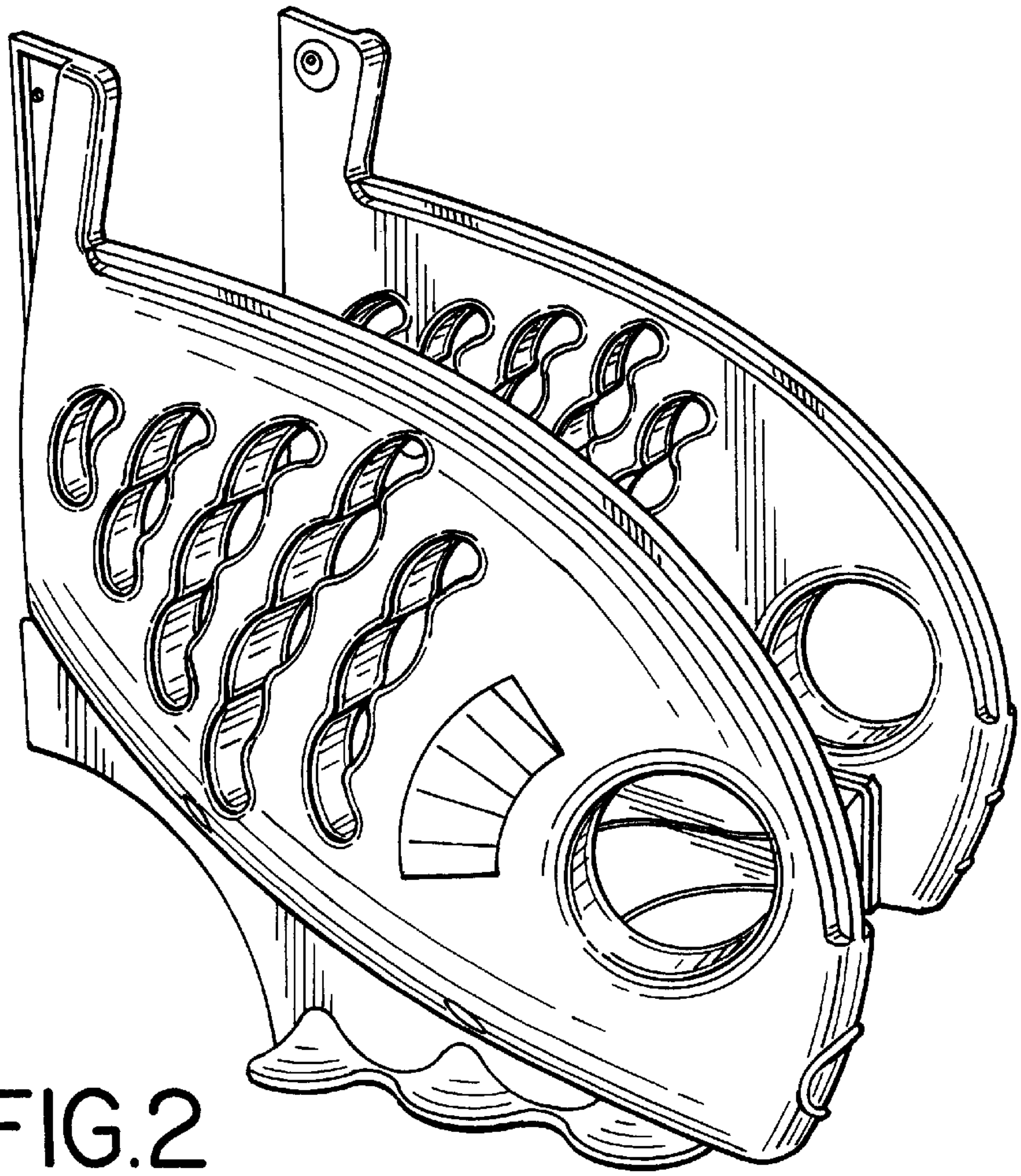


FIG. 2

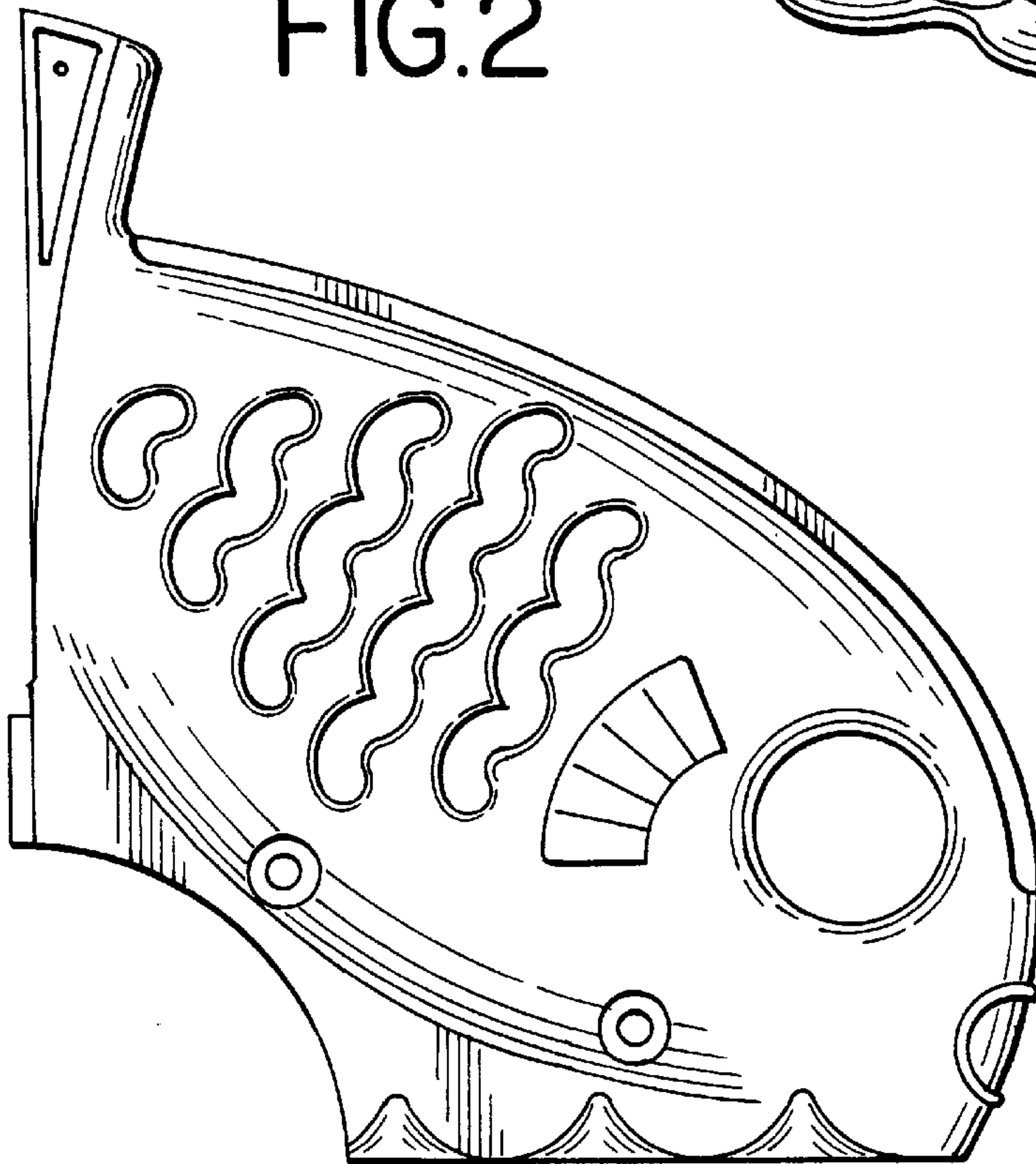




FIG.3

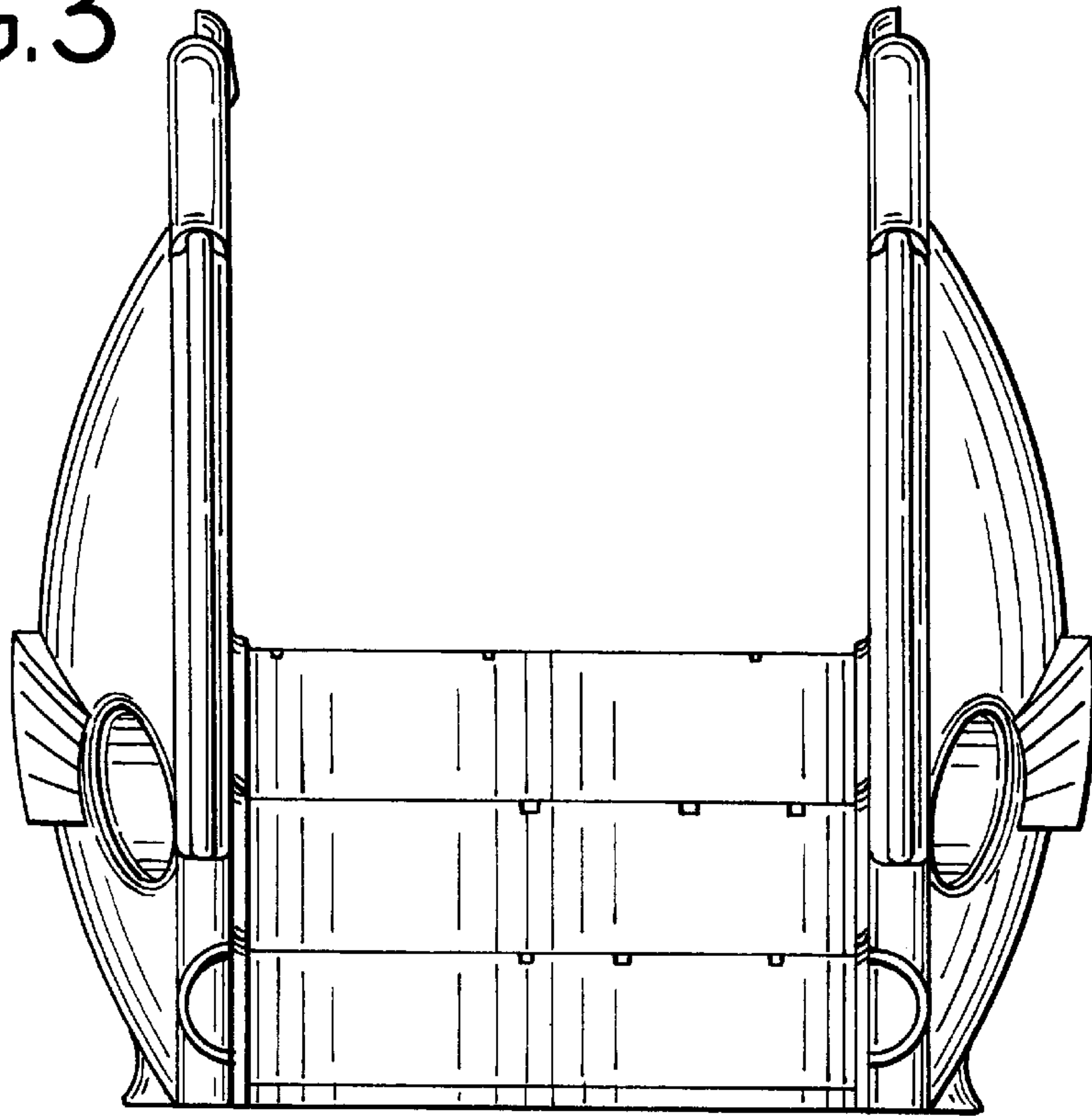


FIG.4

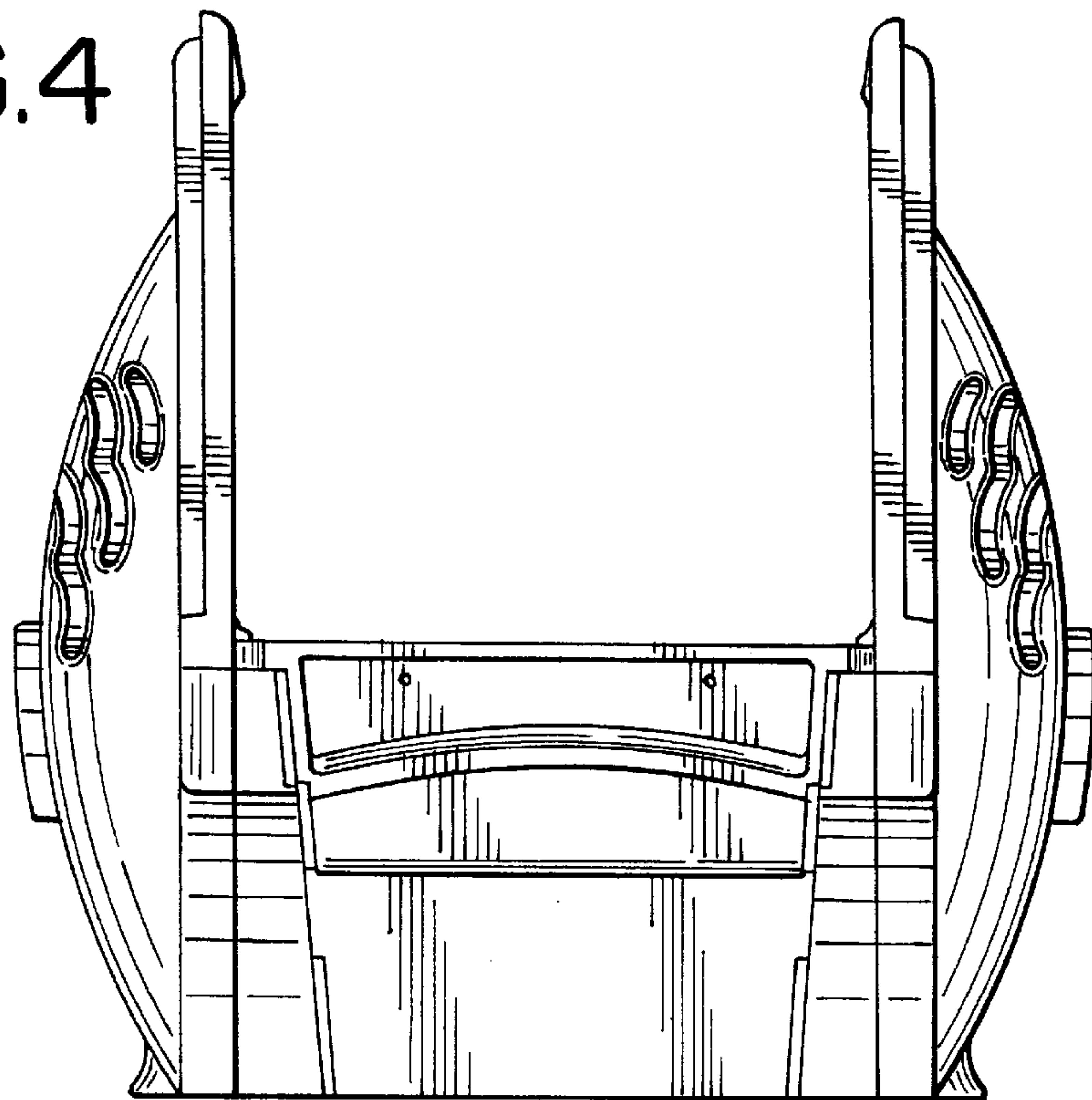


FIG.5

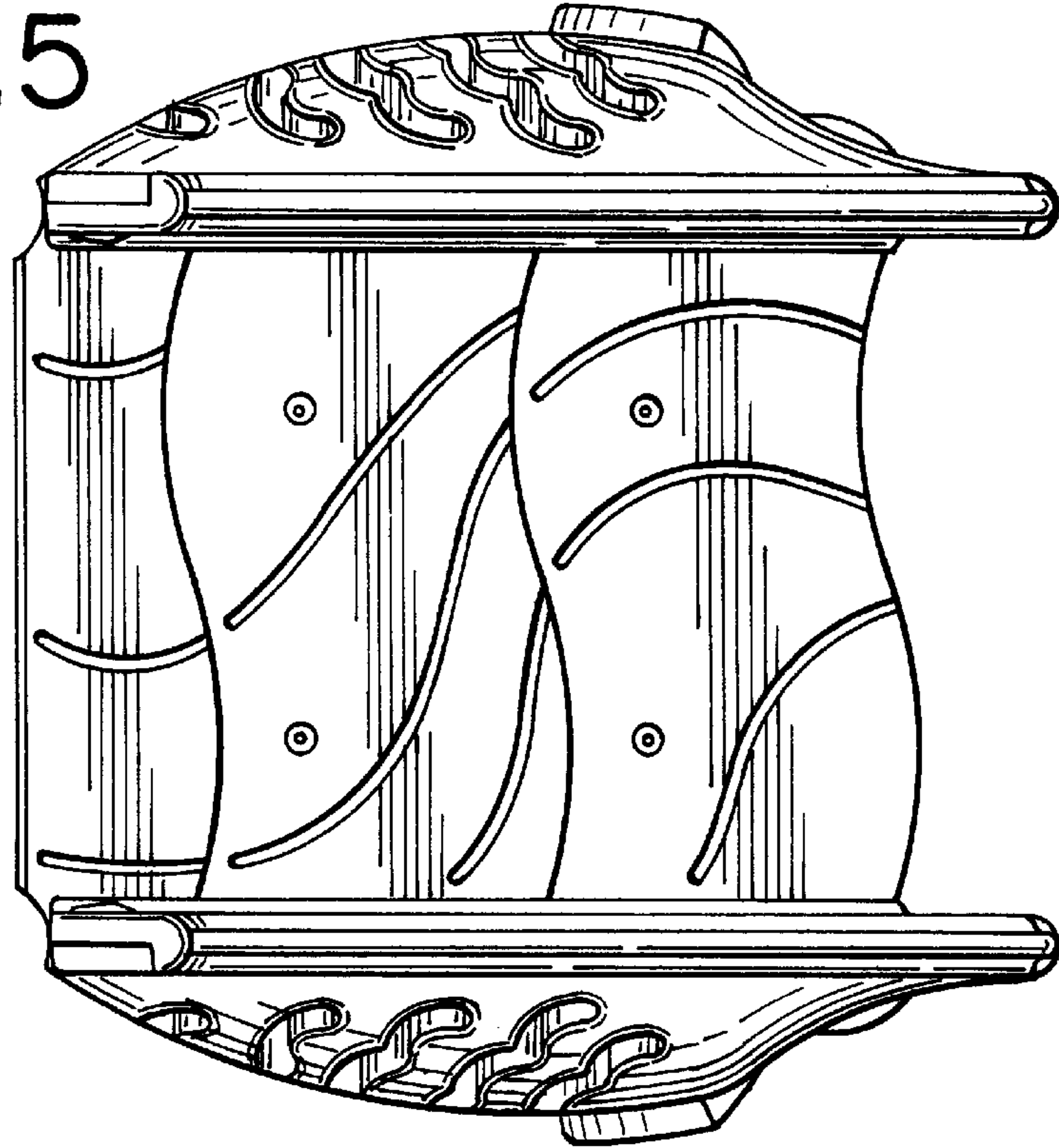


FIG.6

