



US00D427267S

# United States Patent [19]

[11] Patent Number: Des. 427,267

Laperle et al.

[45] Date of Patent: \*\* Jun. 27, 2000

## [54] GOLF PUTTING BLOCK

[76] Inventors: **Jean Pierre Laperle**, 461½ Guy Street, Ottawa, Ontario, Canada, K1K 1C1; **Oksana Yarosh**, 29 Qualicum Street, Nepean, Ontario, Canada, K2H 7H1

[\*\*] Term: 14 Years

[21] Appl. No.: 29/099,853

[22] Filed: Jan. 29, 1999

[51] LOC (7) Cl. .... 21-02

[52] U.S. Cl. .... D21/791

[58] Field of Search ..... D21/789-795; 473/150, 157, 173, 251

## [56] References Cited

### U.S. PATENT DOCUMENTS

D. 321,544	11/1991	Axne	.....	D21/793
D. 382,929	8/1997	DeBlieux et al.	.....	D21/794
D. 400,631	11/1998	Moore	.....	D21/791

*Primary Examiner*—Mitchell Siegel  
*Attorney, Agent, or Firm*—Simpson, Simpson & Snyder

## [57] CLAIM

The ornamental design for golf putting block, as shown and described.

## DESCRIPTION

FIG. 1 is an exploded perspective view of the article to which the industrial design is applied.

FIG. 2 is a top plan view of the article as shown in FIG. 1, with inserts in place, the bottom plan view being the same.

FIG. 3 is a front elevational view of the article of FIG. 2.

FIG. 4 is a left side view of the article of FIG. 2.

FIG. 5 is a rear view of the article of FIG. 2.

FIG. 6 is a right side view of the article of FIG. 2.

FIG. 7 is a top plan view of the article to which the design is applied without the inserts, the bottom view being the same shown for clarity of illustration.

FIG. 8 is a front elevational view of the article of FIG. 7.

FIG. 9 is a left side view of the article of FIG. 7.

FIG. 10 is a rear view of the article of FIG. 7.

FIG. 11 is a right side view of the article of FIG. 7.

FIG. 12 is a reduced top plan view of an insert, the left insert as seen in FIG. 1, the bottom view being the same and the right insert being a mirror image thereof shown for clarity of illustration.

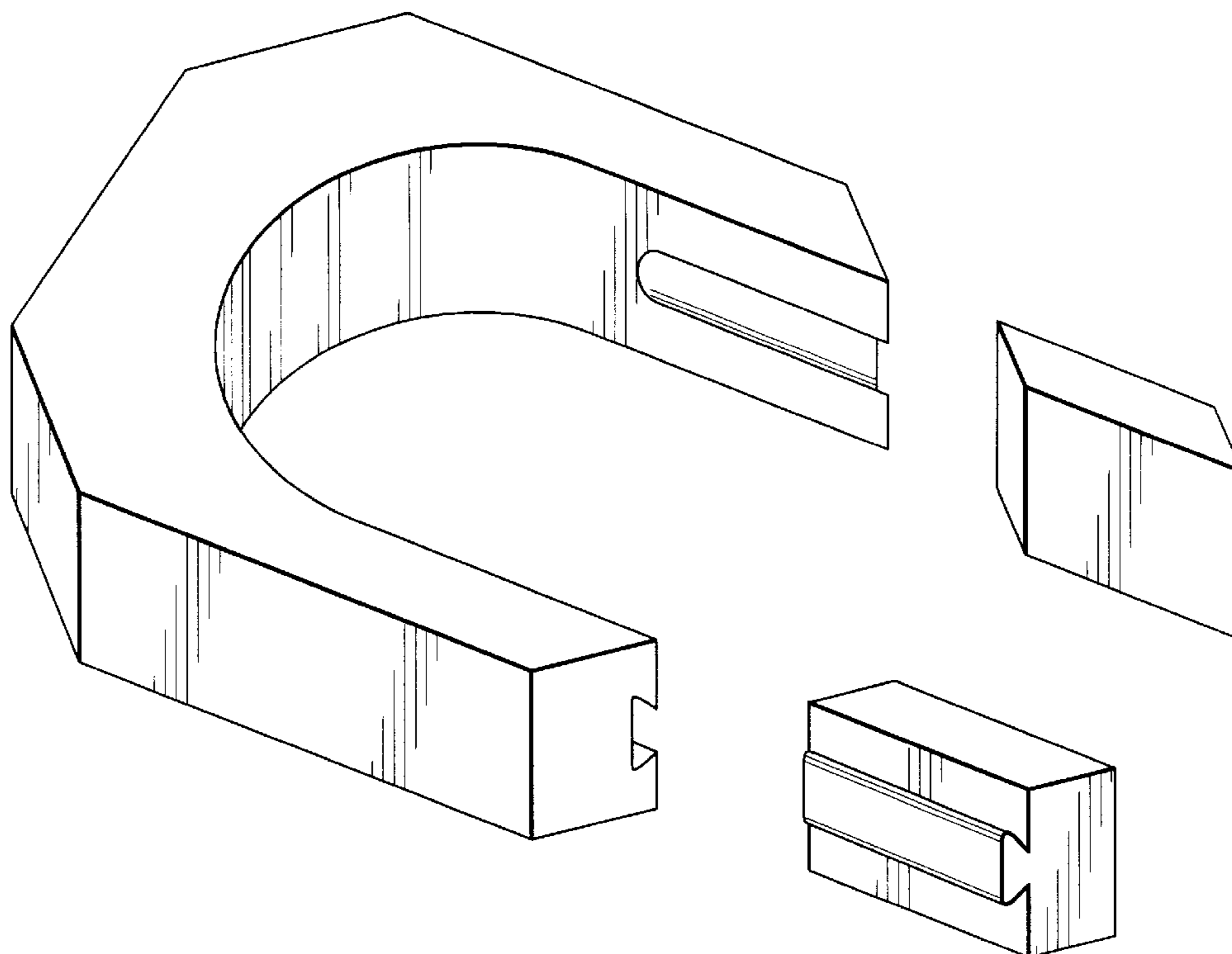
FIG. 13 is a front view of the insert of FIG. 12.

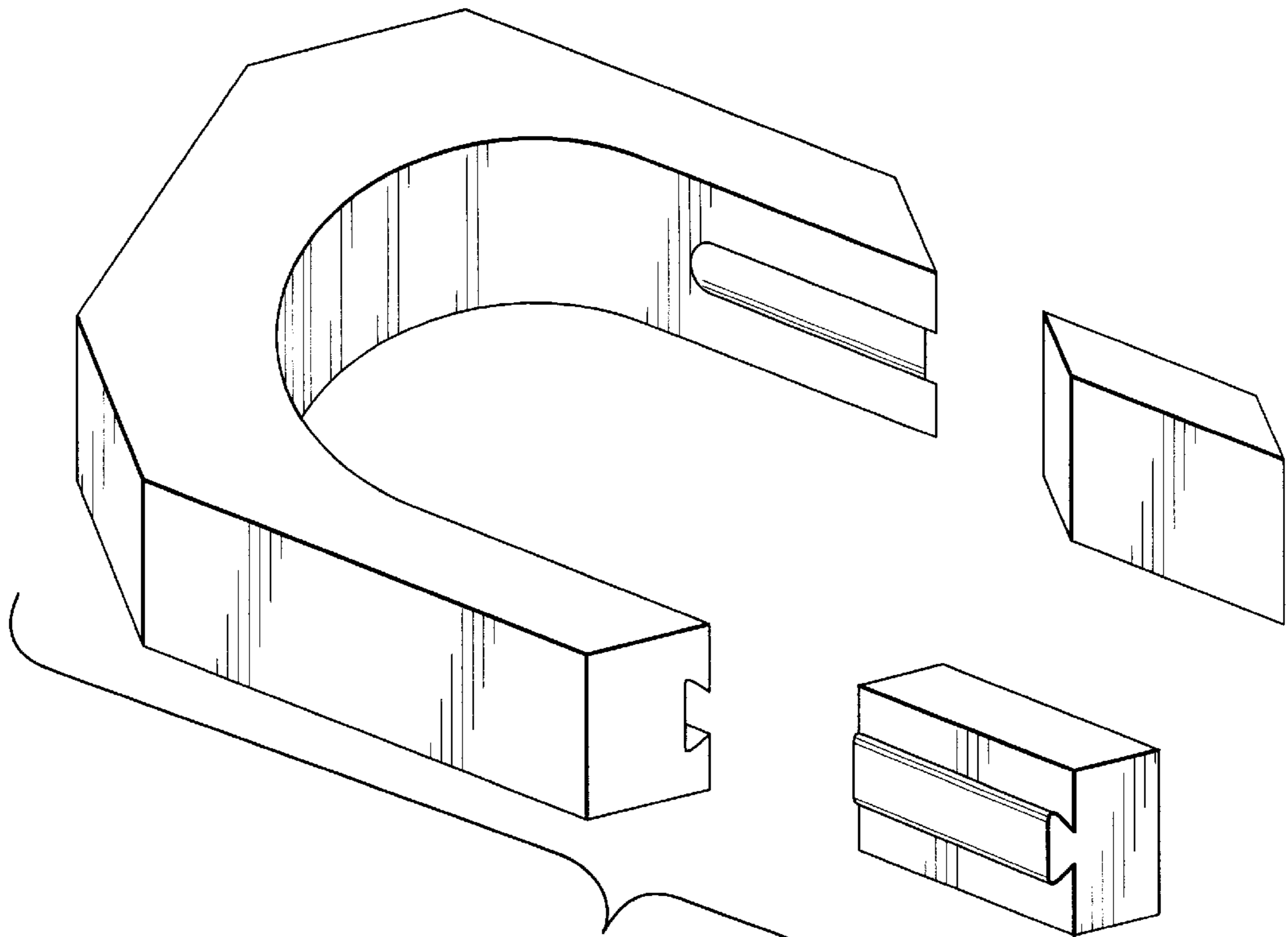
FIG. 14 is a back view of the insert of FIG. 12.

FIG. 15 is a left side view of the insert of FIG. 12; and,

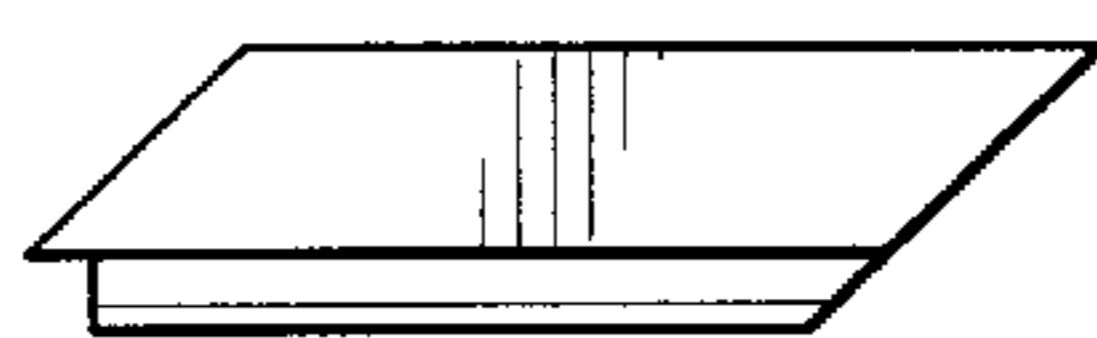
FIG. 16 is a right side view of the insert of FIG. 12.

1 Claim, 3 Drawing Sheets

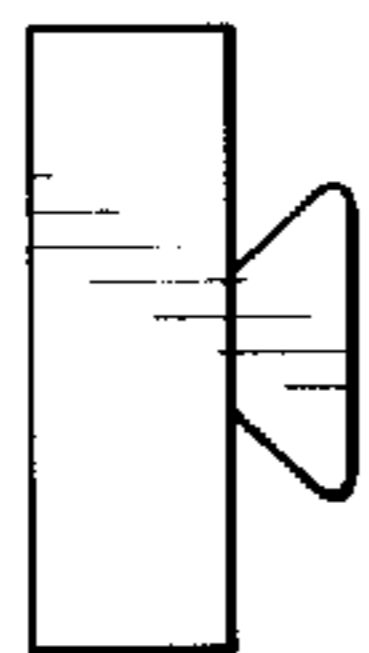




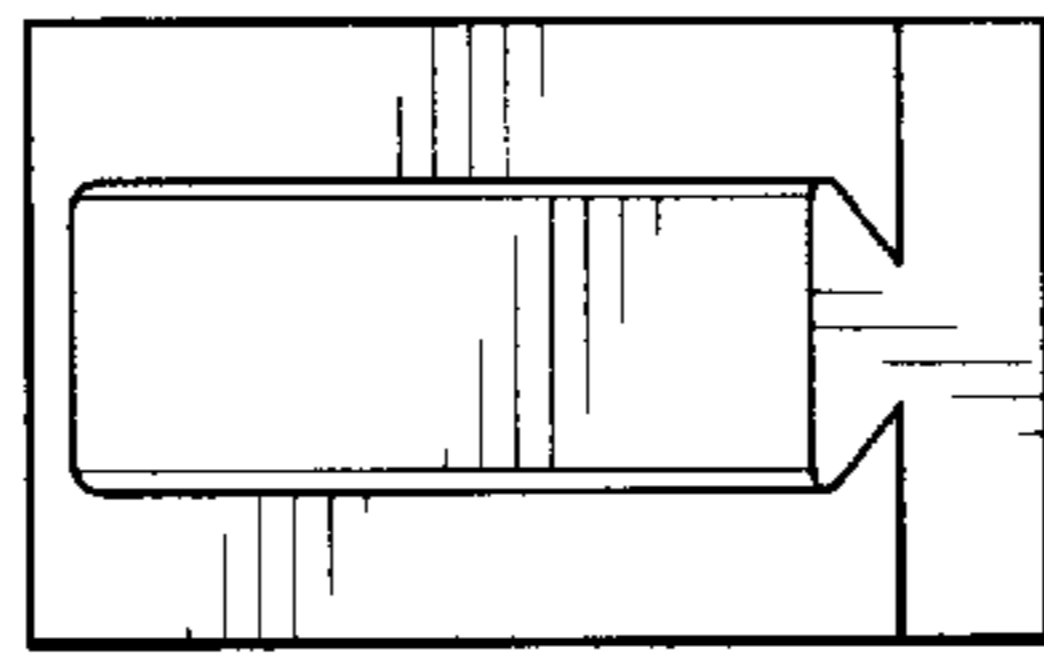
**FIG. 1**



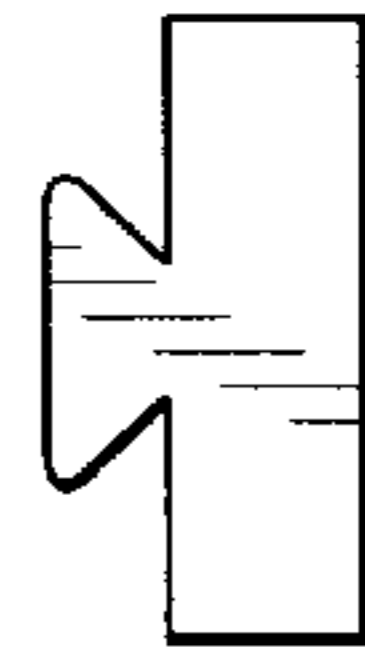
**FIG. 12**



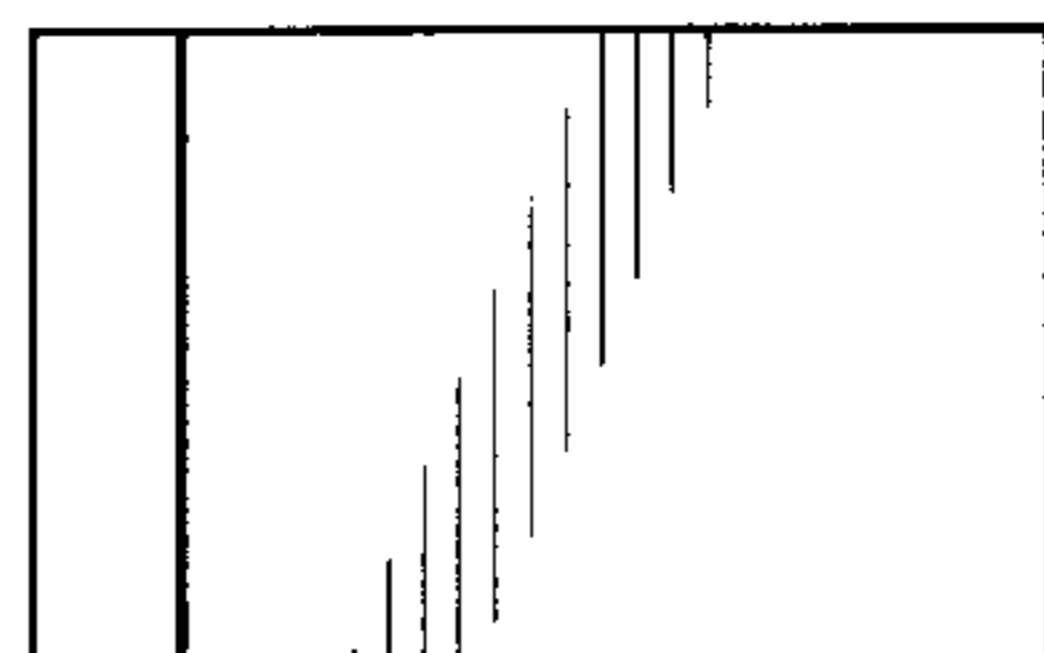
**FIG. 15**



**FIG. 13**

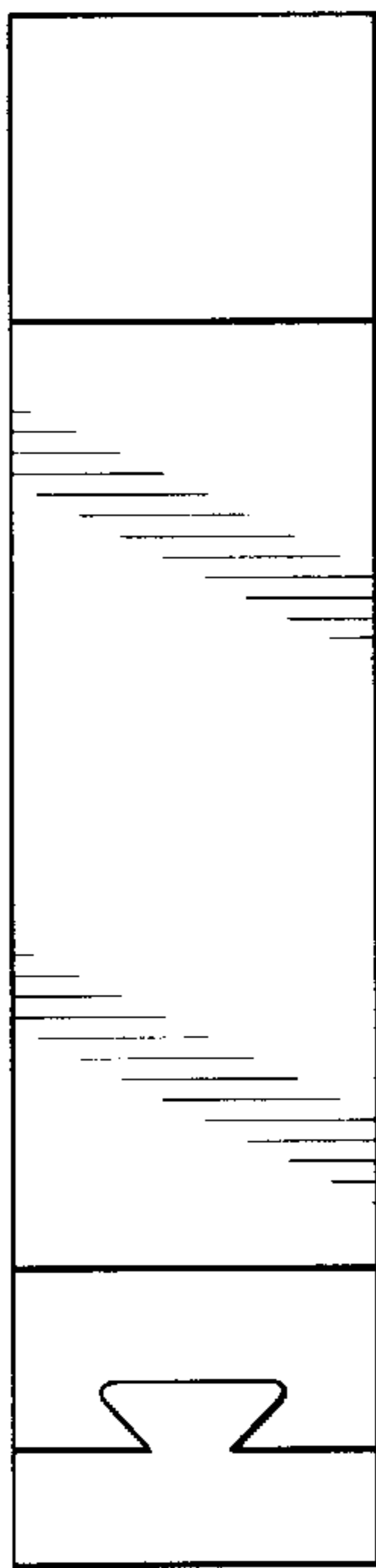
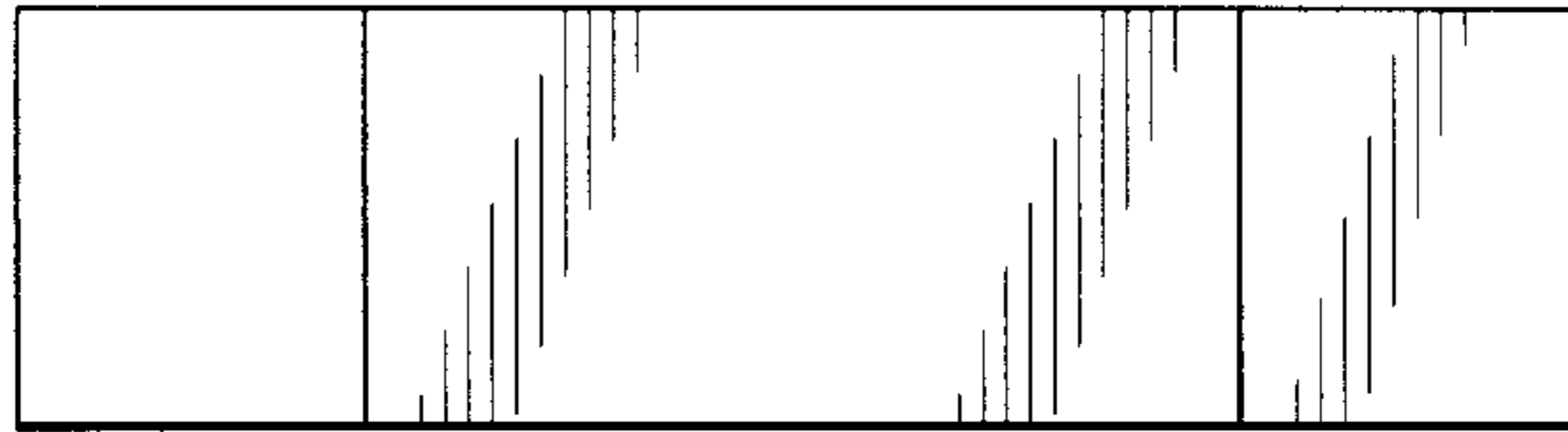


**FIG. 16**

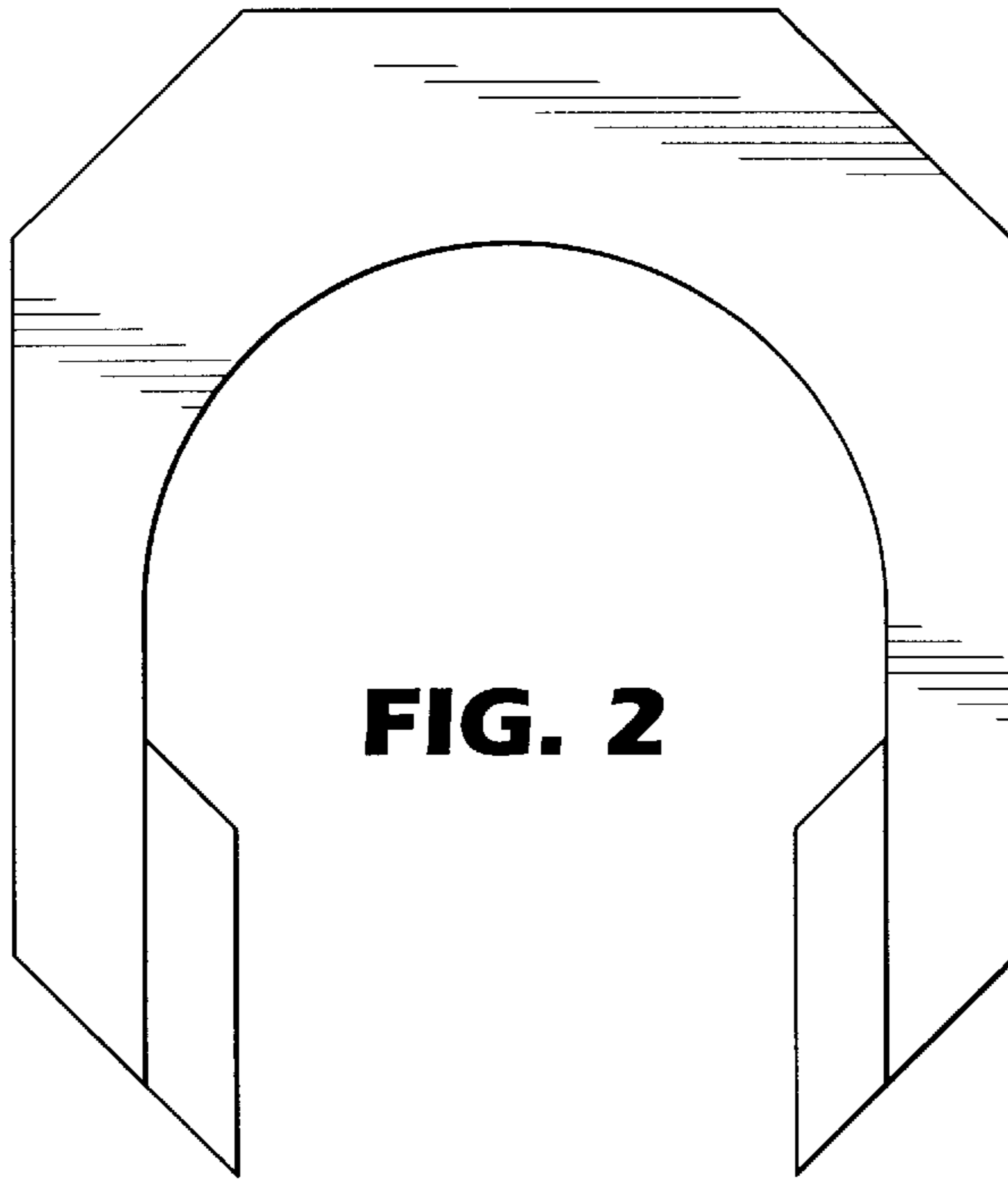


**FIG. 14**

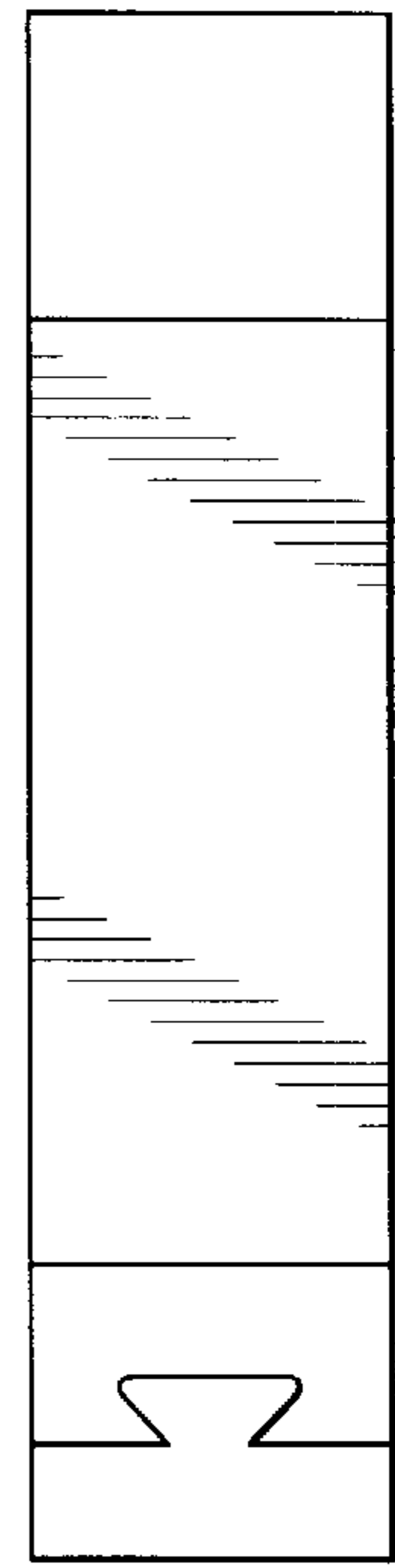
**FIG. 5**



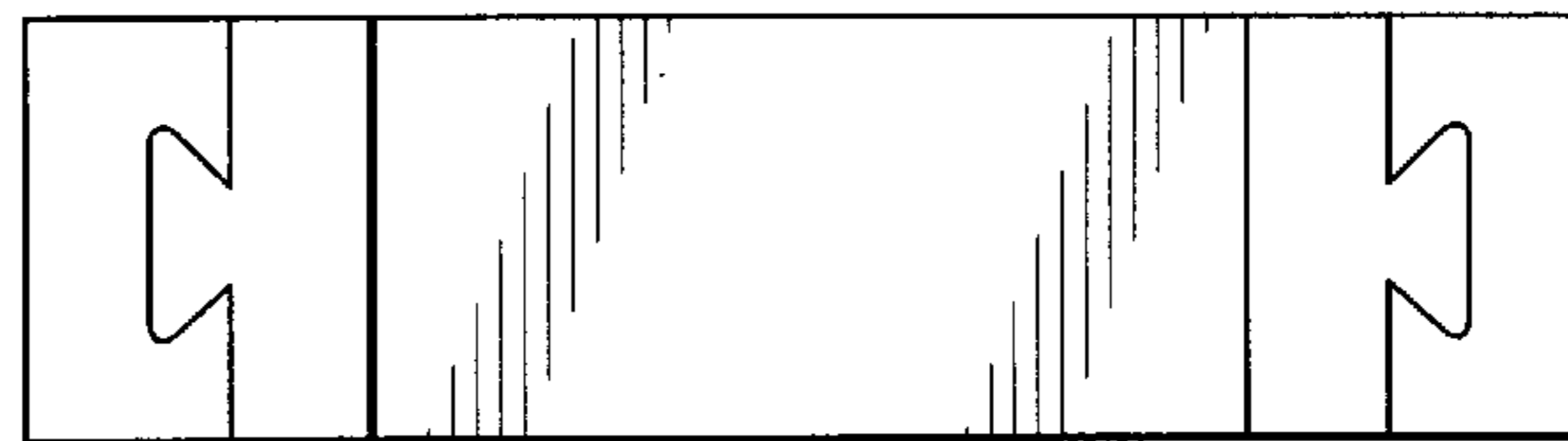
**FIG. 4**



**FIG. 2**

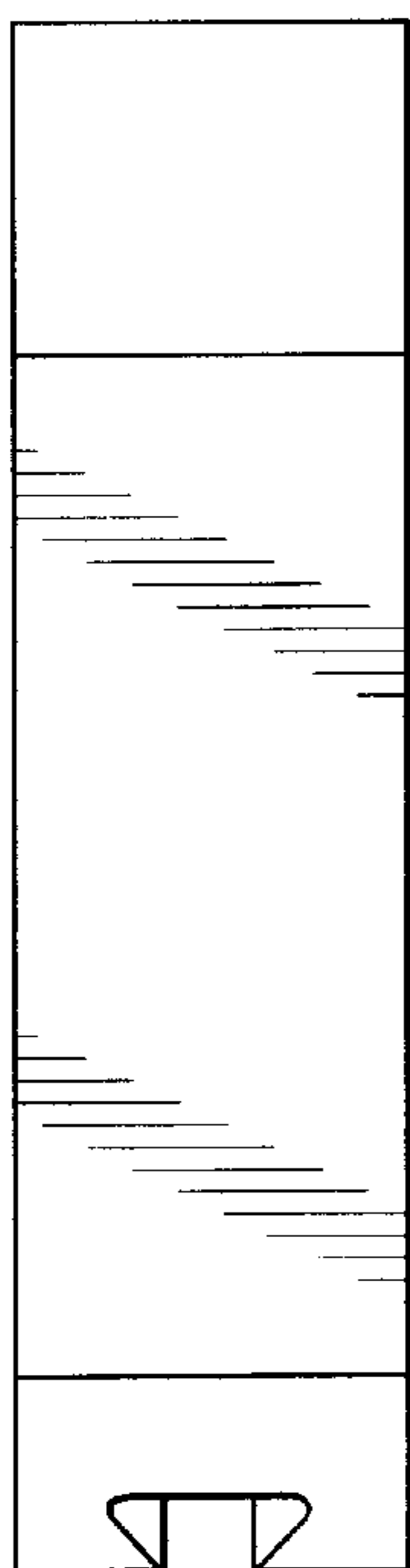
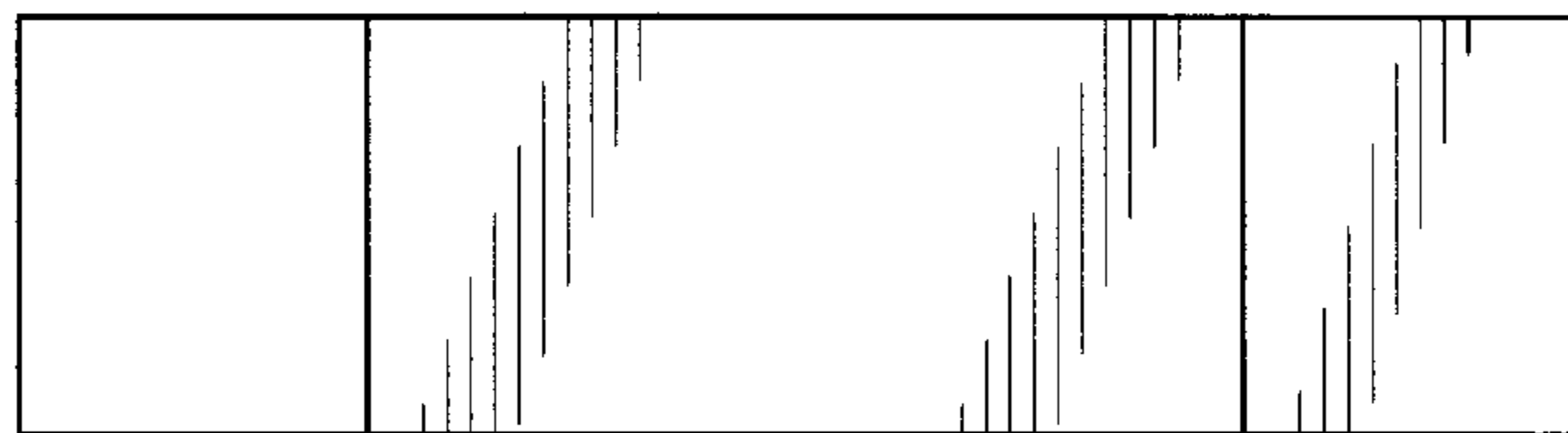


**FIG. 6**

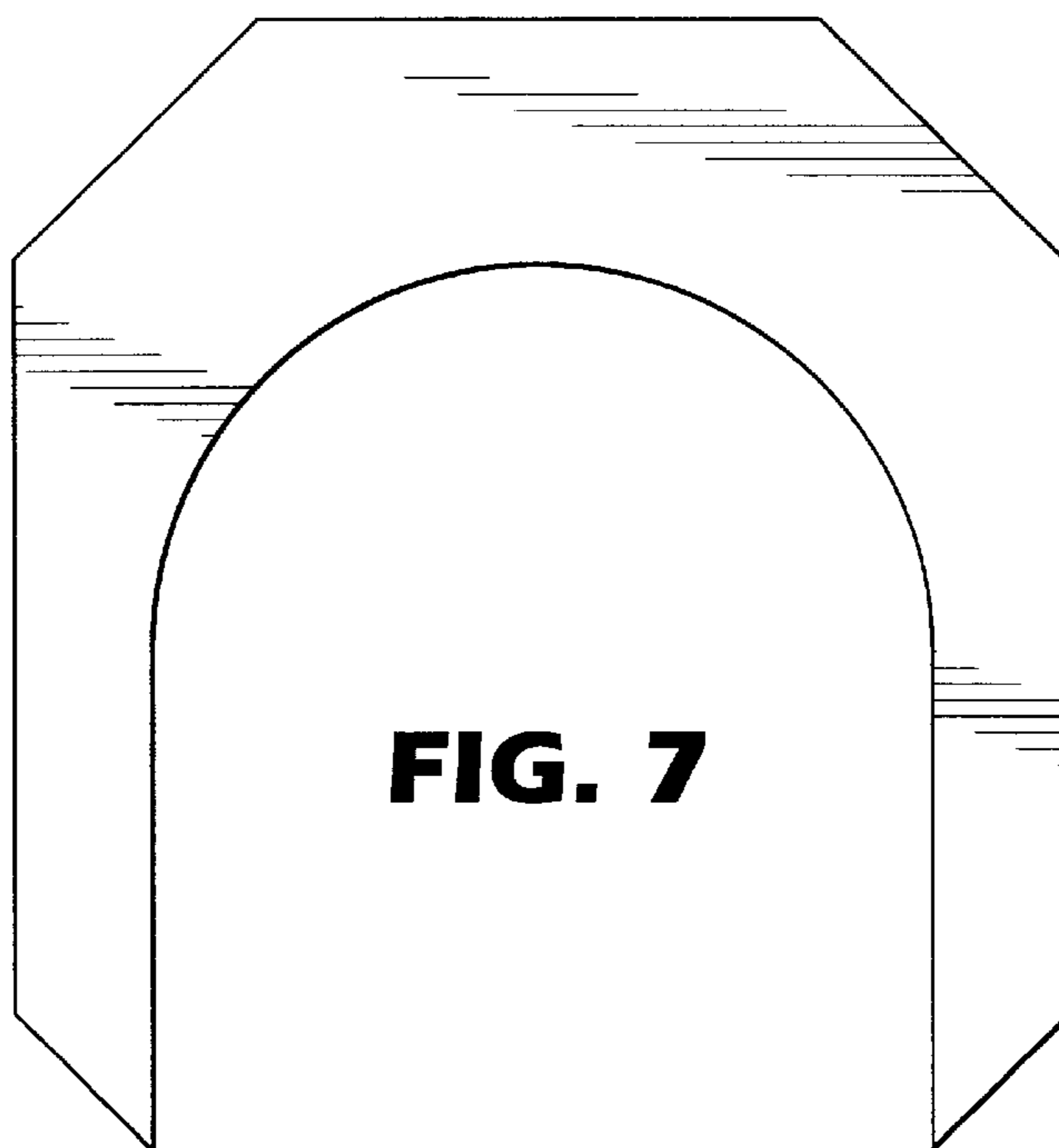


**FIG. 3**

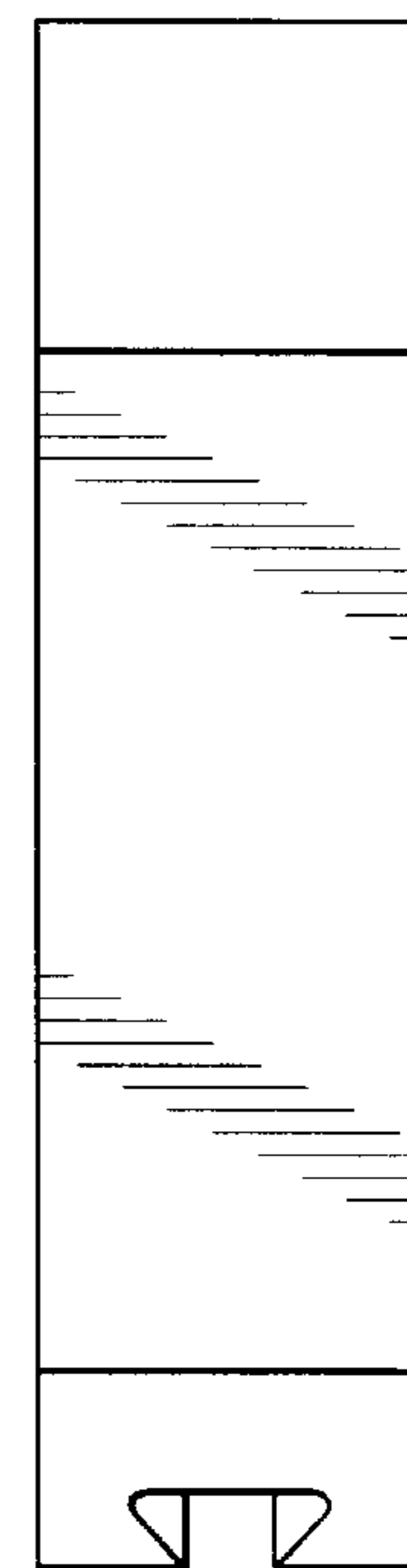
**FIG. 10**



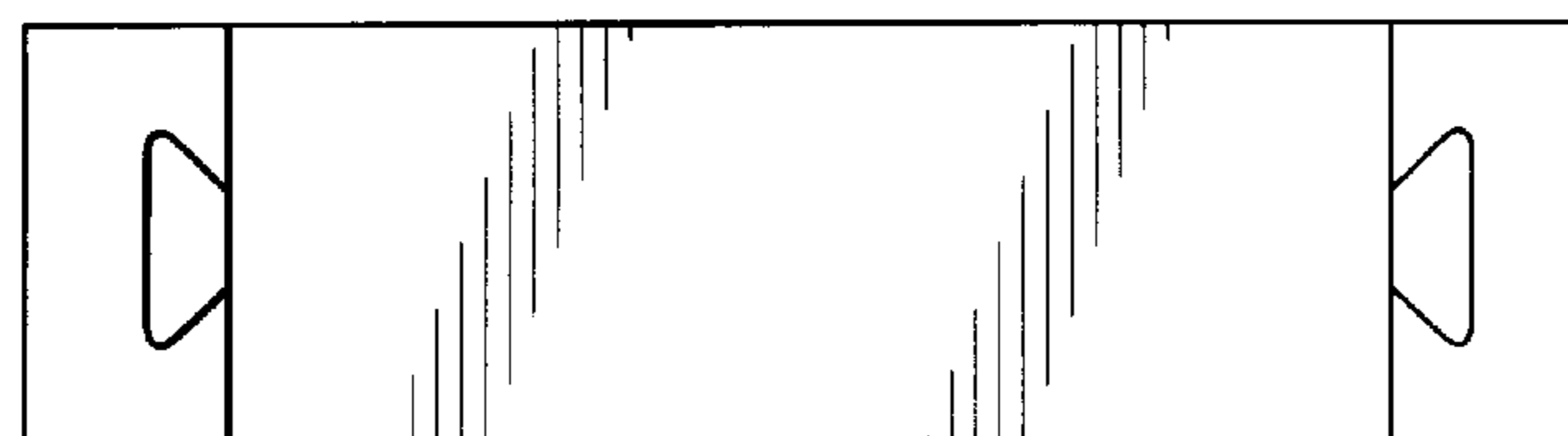
**FIG. 9**



**FIG. 7**



**FIG. 11**



**FIG. 8**