



US00D427263S

United States Patent [19]
Bober

[11] **Patent Number: Des. 427,263**
[45] **Date of Patent: ** Jun. 27, 2000**

[54] **GOLF PUTTER HEAD**

[76] Inventor: **Joseph Bober**, 80 Osborne Pl.,
Cranford, N.J. 07016

[**] Term: **14 Years**

[21] Appl. No.: **29/114,309**

[22] Filed: **Nov. 19, 1999**

[51] **LOC (7) Cl.** **21-02**

[52] **U.S. Cl.** **D21/744**

[58] **Field of Search** D21/736-746;
473/251-256, 324, 327-331, 340, 341

[56] **References Cited**

U.S. PATENT DOCUMENTS

D. 226,617 4/1973 Dohan D21/743
D. 347,253 5/1994 Cook D21/744

Primary Examiner—Mitchell Siegel
Attorney, Agent, or Firm—Anthony J. Casella; Gerald E.
Hespos; Michael J. Porco

[57] **CLAIM**

The ornamental design of a golf putter head, as shown and described.

DESCRIPTION

FIG. 1 is a perspective view of a golf putter head of my new design; with a shaft and hand grip shown in broken lines for illustrative purposes only and forms no part of claimed design.

FIG. 2 is an enlarged perspective view of the golf putter head;

FIG. 3 is a front elevational view of the golf putter head of FIG. 2;

FIG. 4 is a top plan view of the golf putter head of FIG. 2; FIG. 5 is a right side elevational view of the golf putter head of FIG. 2;

FIG. 6 is a left side elevational view of the golf putter head of FIG. 2;

FIG. 7 is a rear elevational view of the golf putter head of FIG. 2; and,

FIG. 8 is a bottom plan view of the golf putter head of FIG. 1.

1 Claim, 4 Drawing Sheets

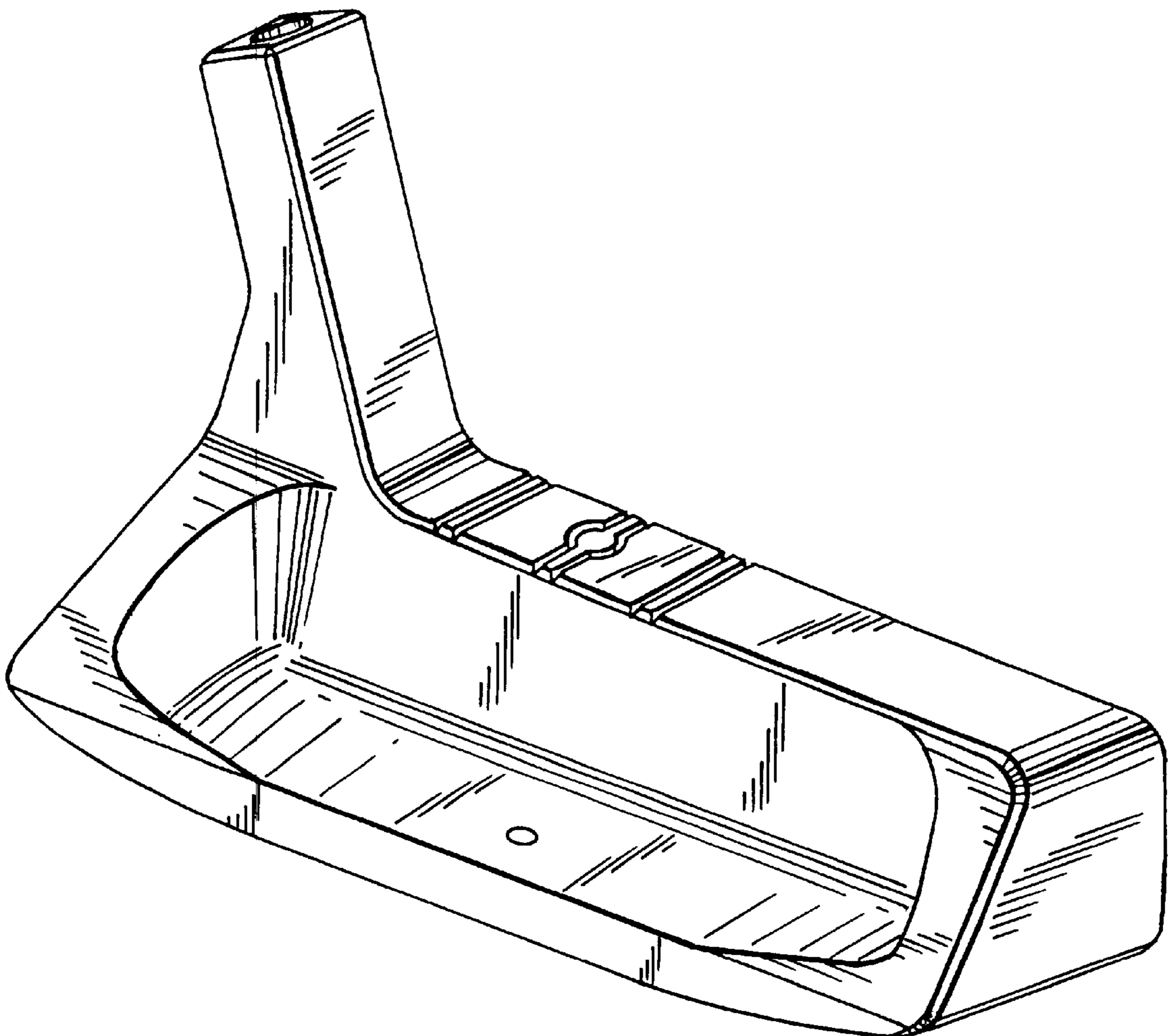


FIG. 1

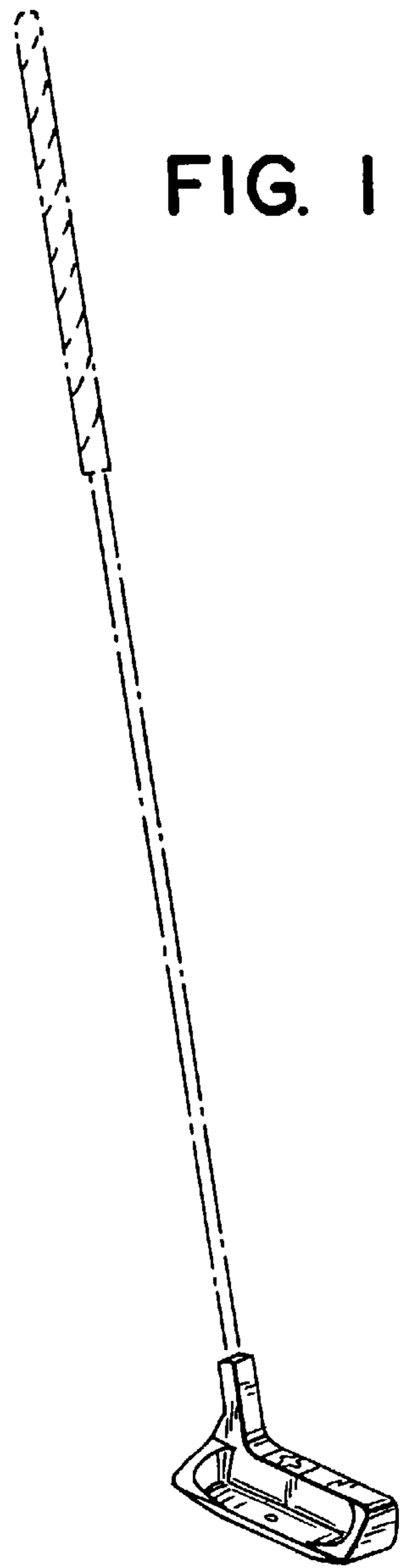


FIG. 2

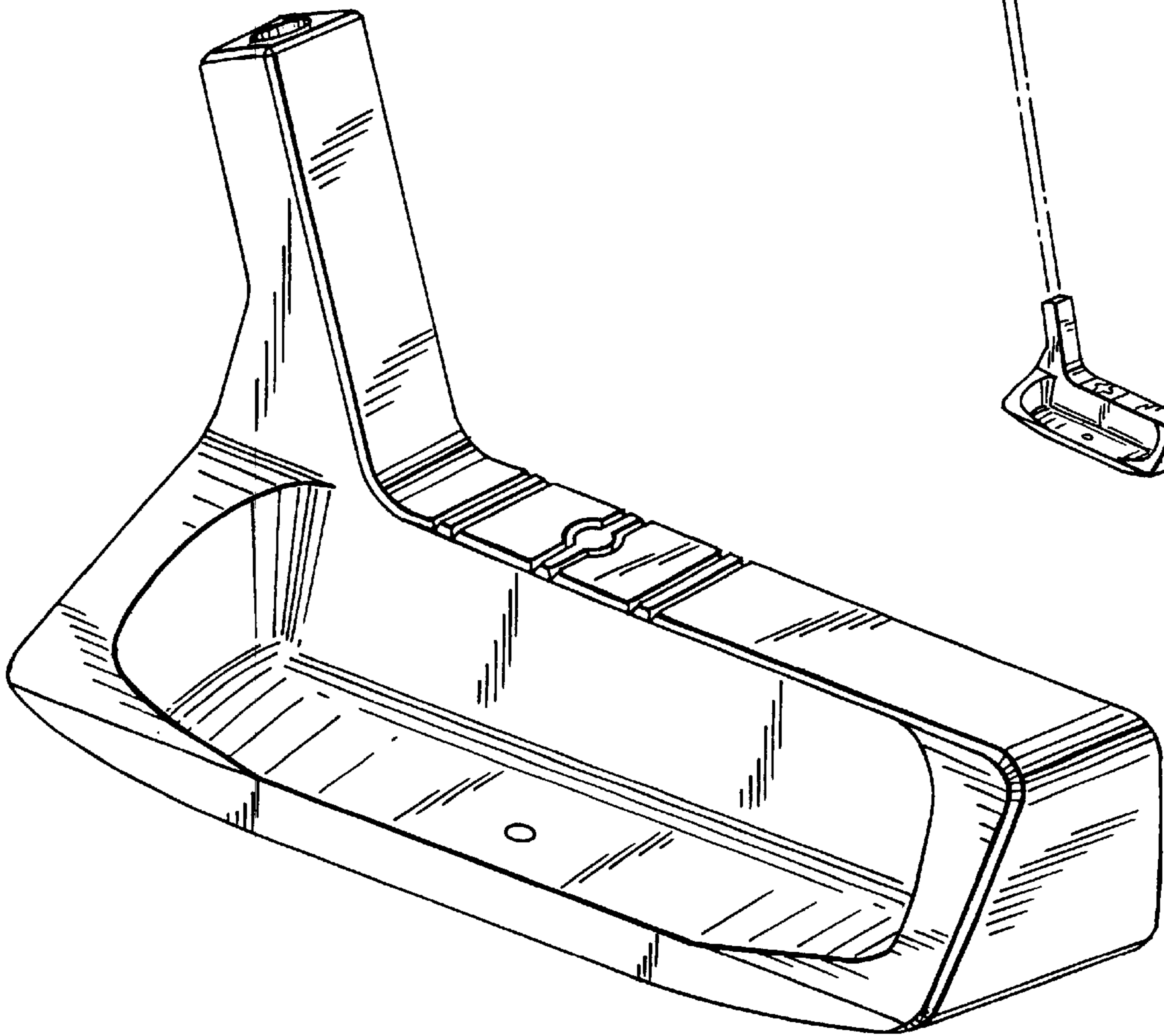


FIG. 3

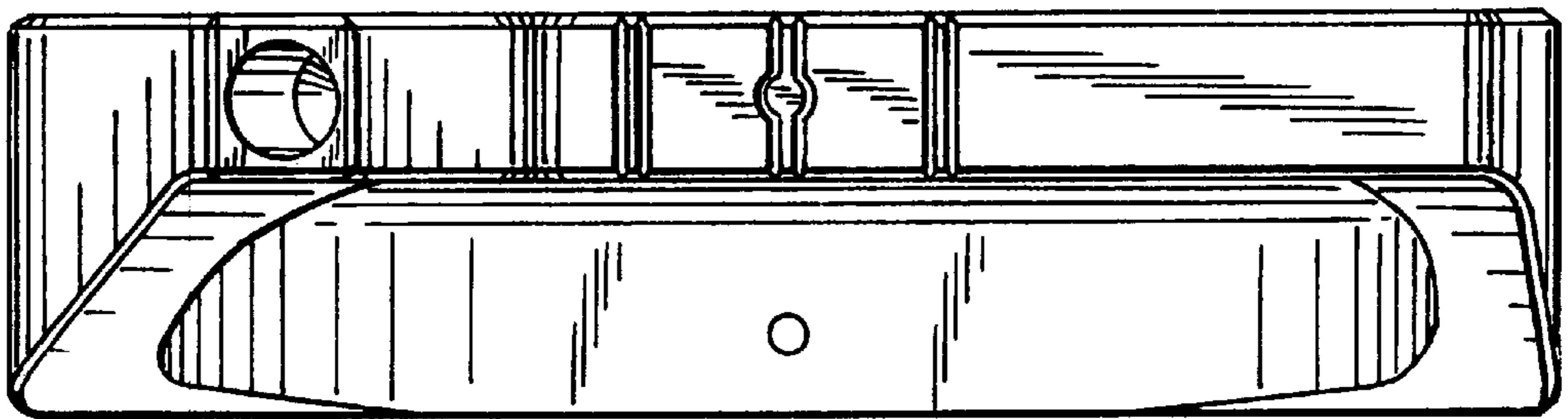
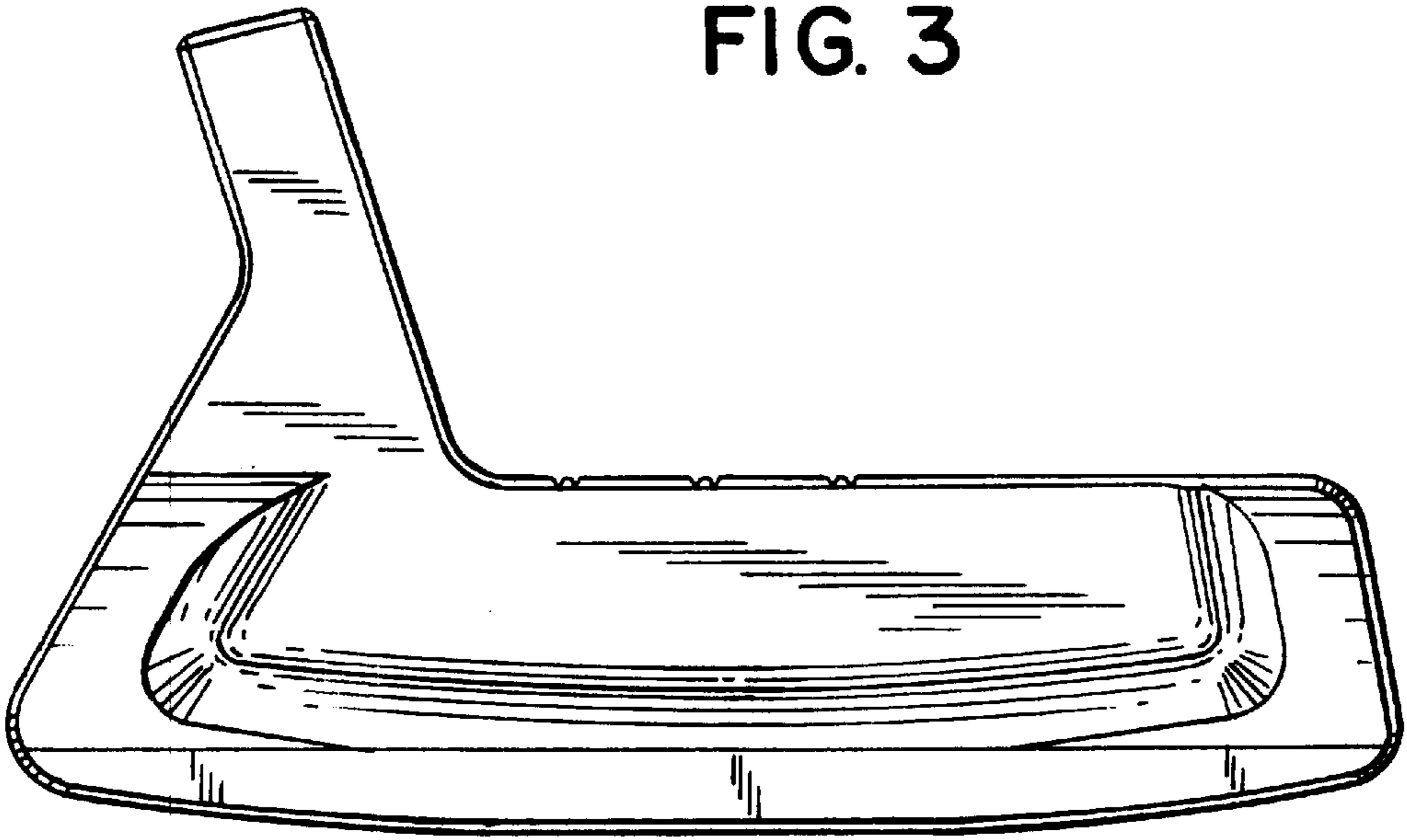


FIG. 4

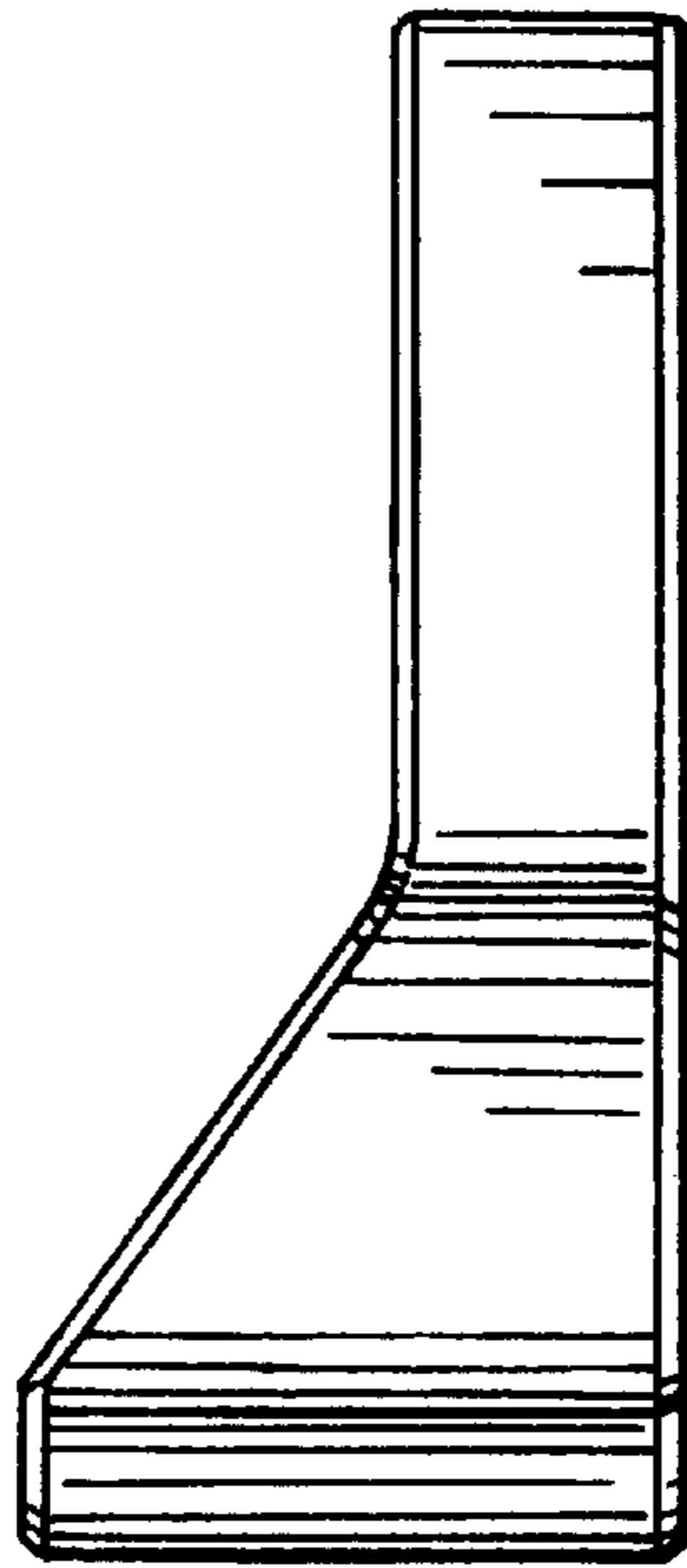


FIG. 5

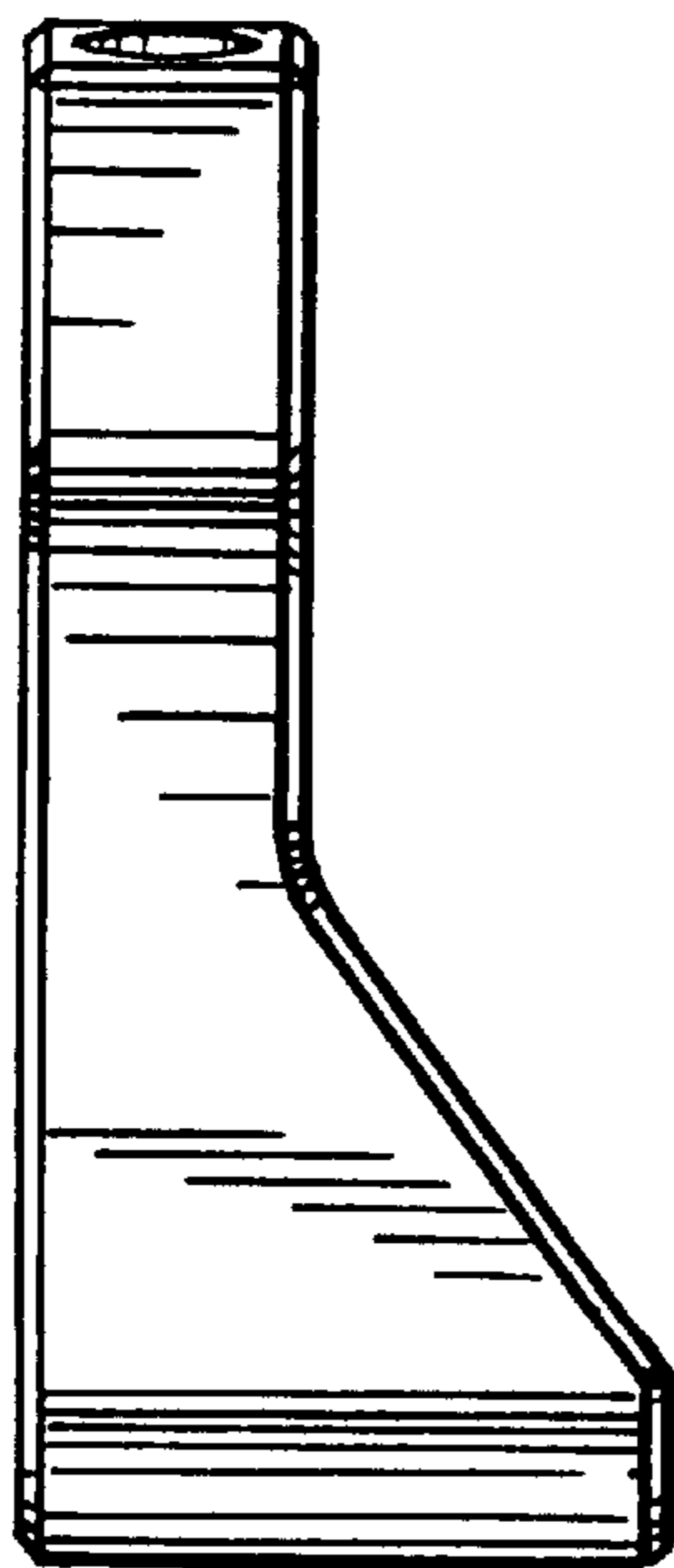


FIG. 6

FIG. 7

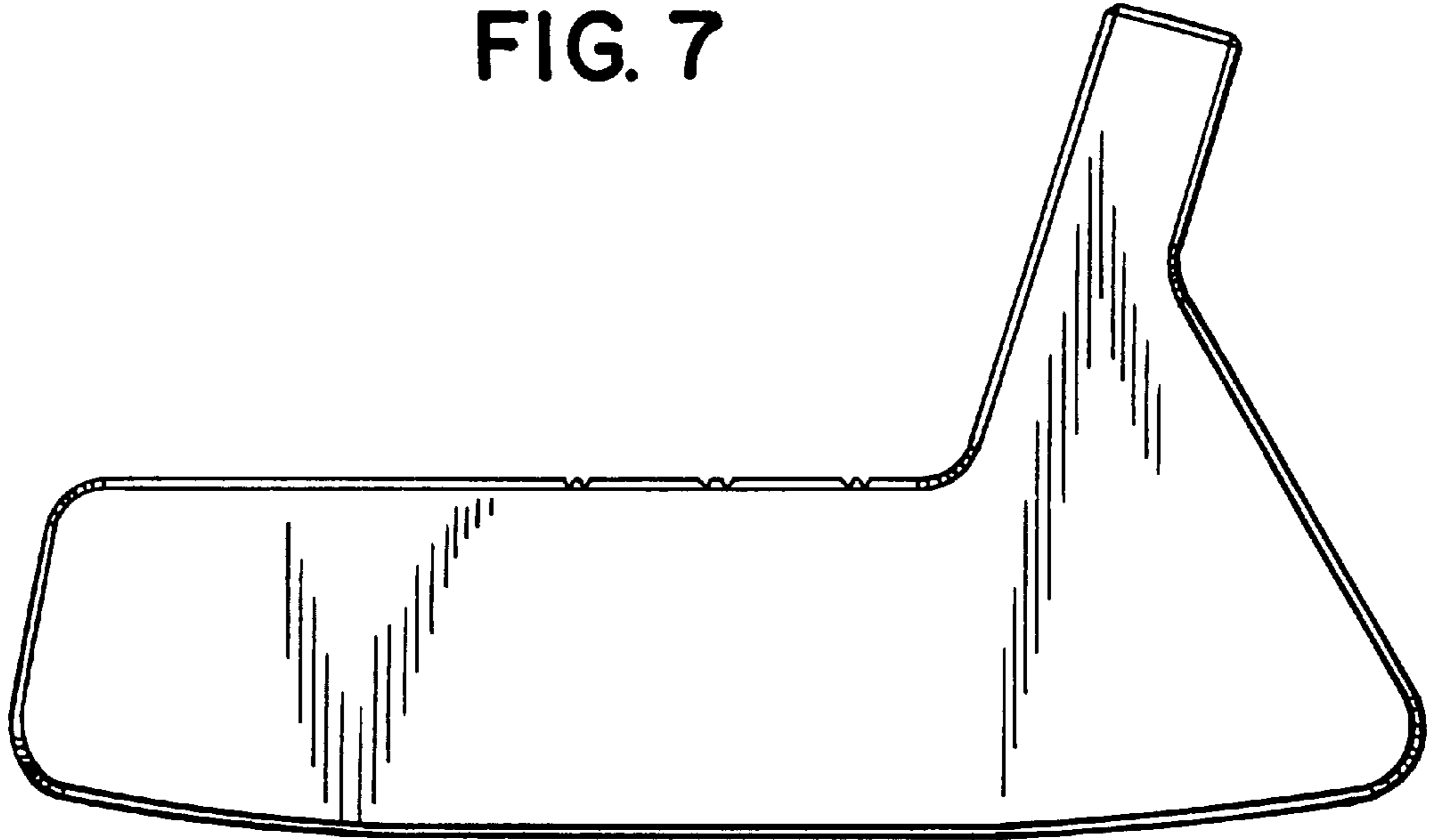


FIG. 8

