



US00D427260S

United States Patent [19]
Burr

[11] **Patent Number: Des. 427,260**

[45] **Date of Patent: ** Jun. 27, 2000**

[54] **CHEESE WEDGE SHAPED STRESS RELIEF DEVICE**

D. 414,903 10/1999 Baiera et al. D30/160
5,076,569 12/1991 Gooter 482/49
5,407,410 4/1995 Heck 482/49

[75] Inventor: **Paula Burr**, West Columbia, S.C.

Primary Examiner—Philip S. Hyder
Attorney, Agent, or Firm—Thomas L. Moses

[73] Assignee: **Richard E. Jackson**, West Columbia, S.C.

[**] Term: **14 Years**

[57] **CLAIM**

The ornamental design for a cheese wedge shaped stress relief device, as shown and described.

[21] Appl. No.: **29/108,659**

[22] Filed: **Aug. 2, 1999**

DESCRIPTION

[51] **LOC (7) Cl.** **21-02**

FIG. 1 is a perspective view illustrating a cheese wedge shaped stress relief device showing my new design;

[52] **U.S. Cl.** **D21/684; D1/120; D30/160; D11/157**

FIG. 2 is a direct front view thereof;

[58] **Field of Search** D21/662, 684, D21/483, 493, 505; 482/44, 49, 74; D30/160; D9/329; D1/120; D11/157

FIG. 3 is a direct rear view thereof;

FIG. 4 is a direct left side view thereof;

FIG. 5 is a direct right side view thereof;

FIG. 6 is a direct bottom view thereof; and,

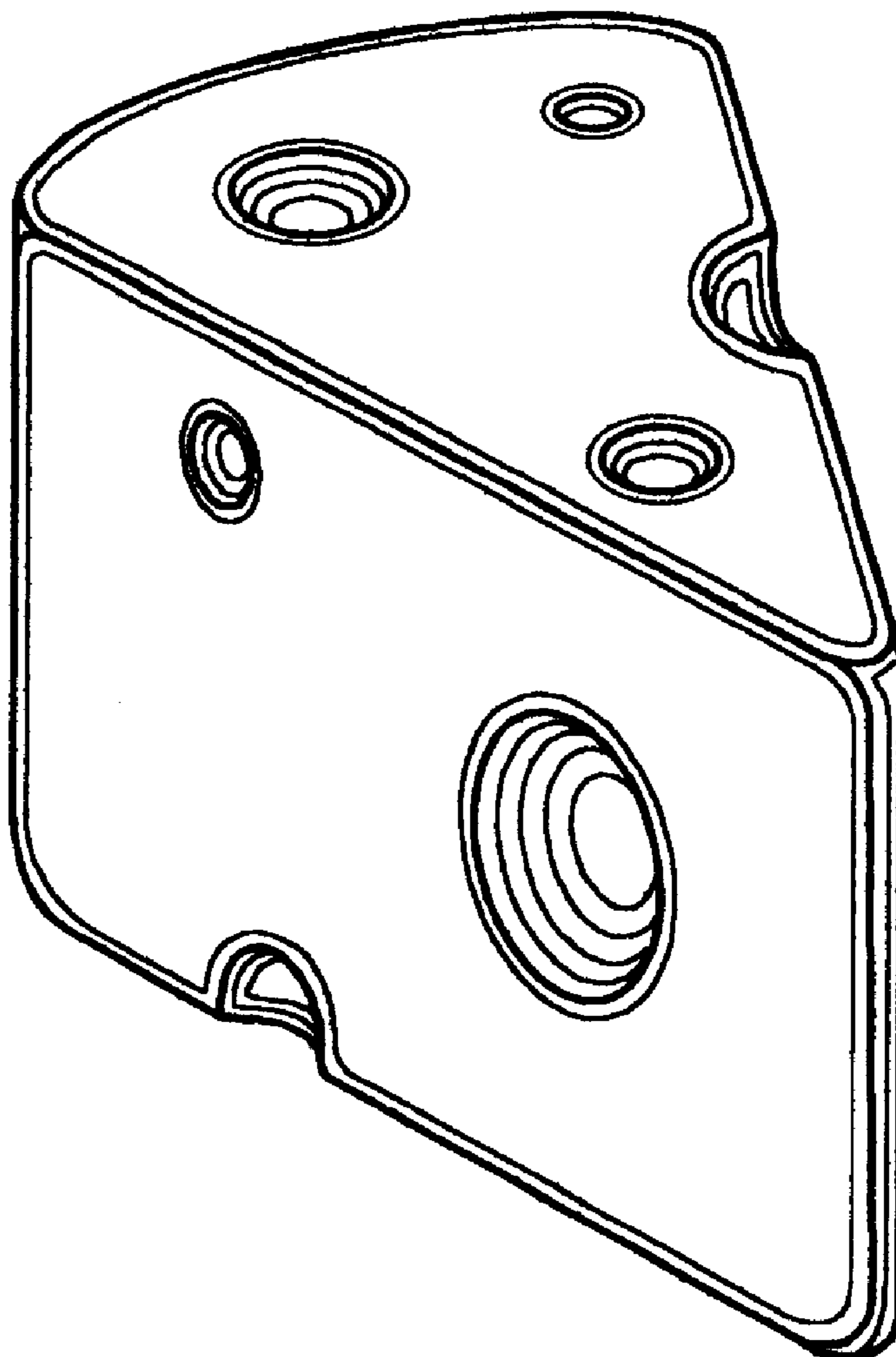
FIG. 7 is a direct top view thereof.

[56] **References Cited**

U.S. PATENT DOCUMENTS

D. 387,829 12/1997 Smallwood et al. D21/684

1 Claim, 2 Drawing Sheets



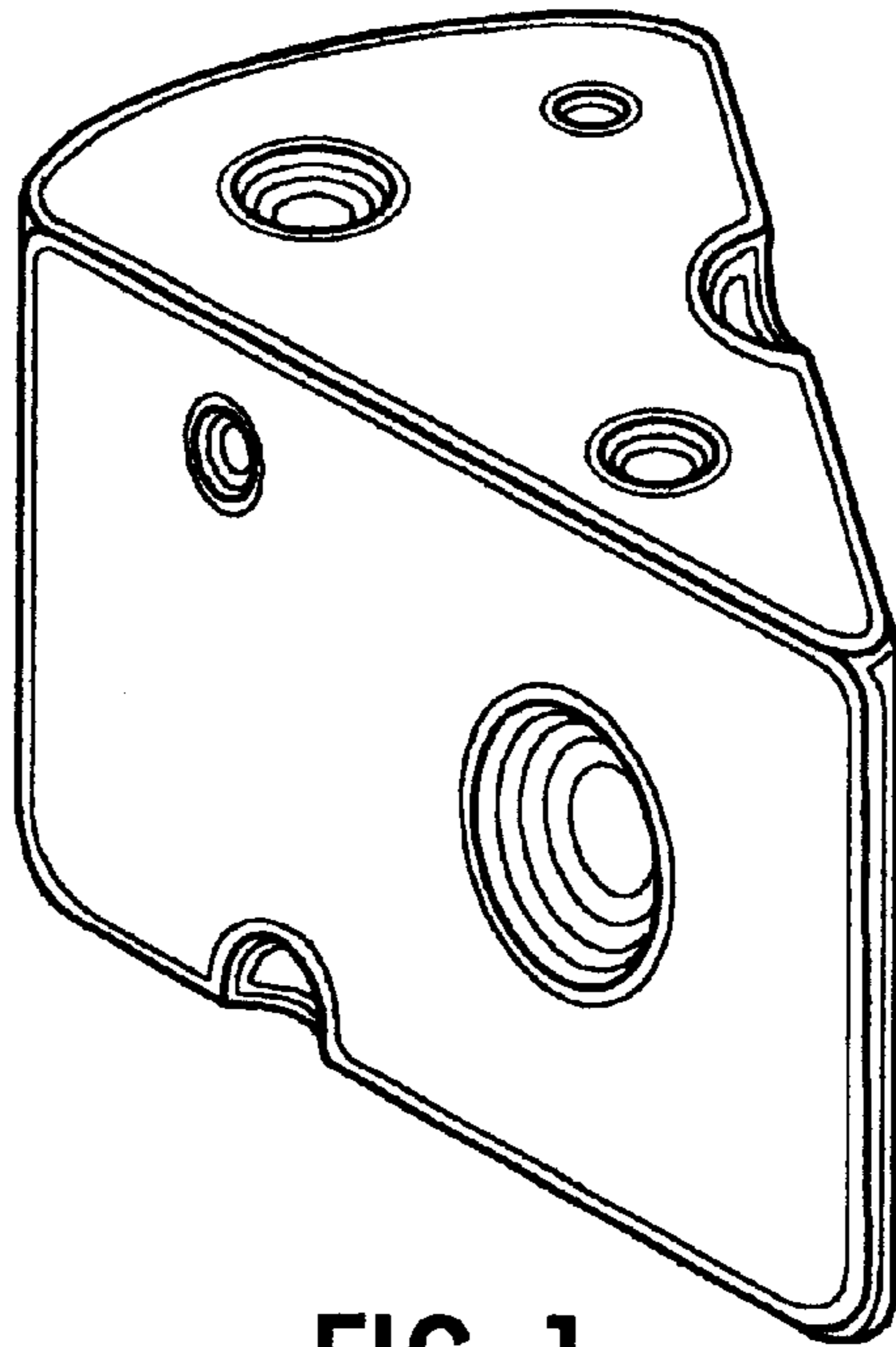


FIG. 1

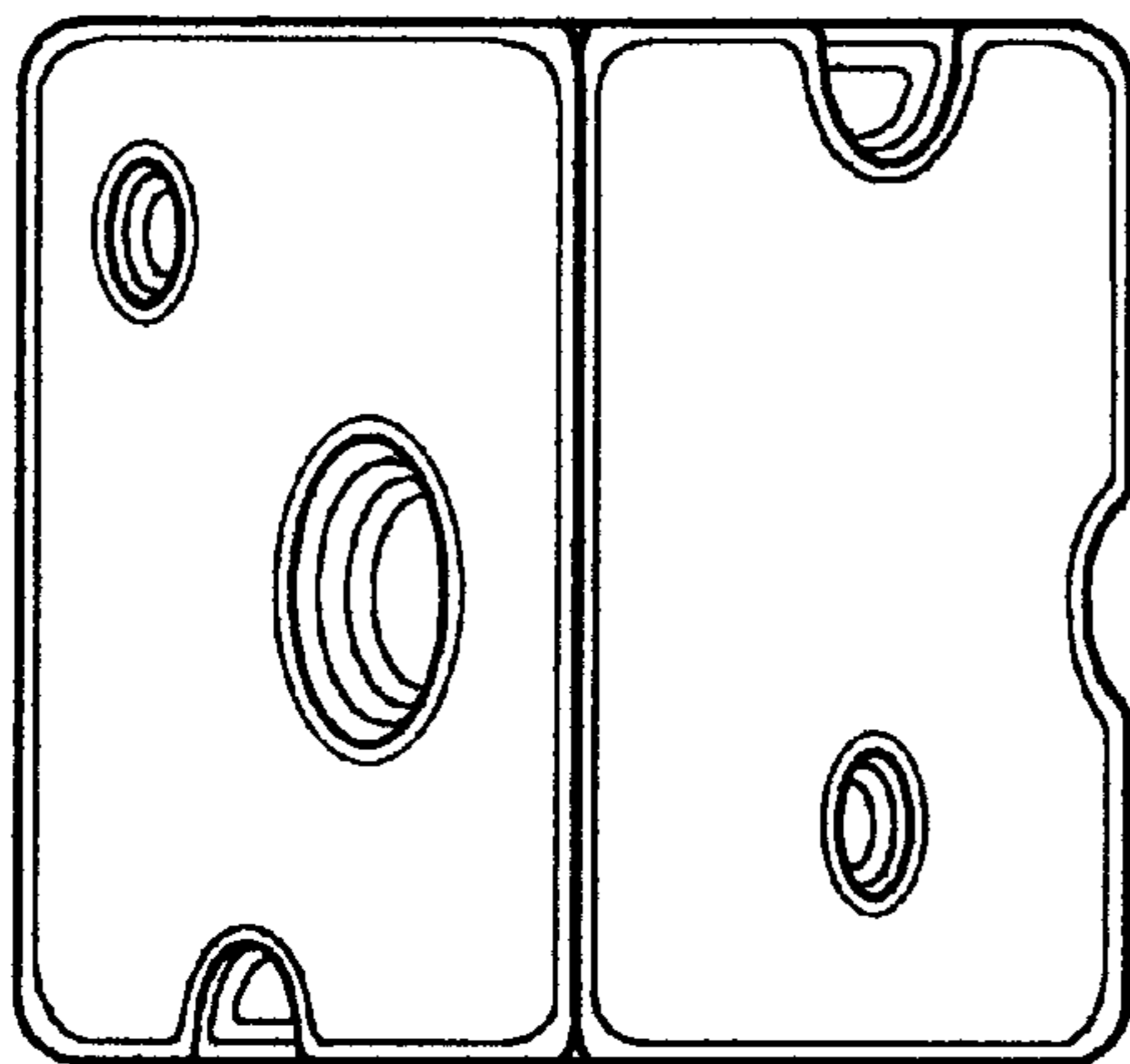


FIG. 2

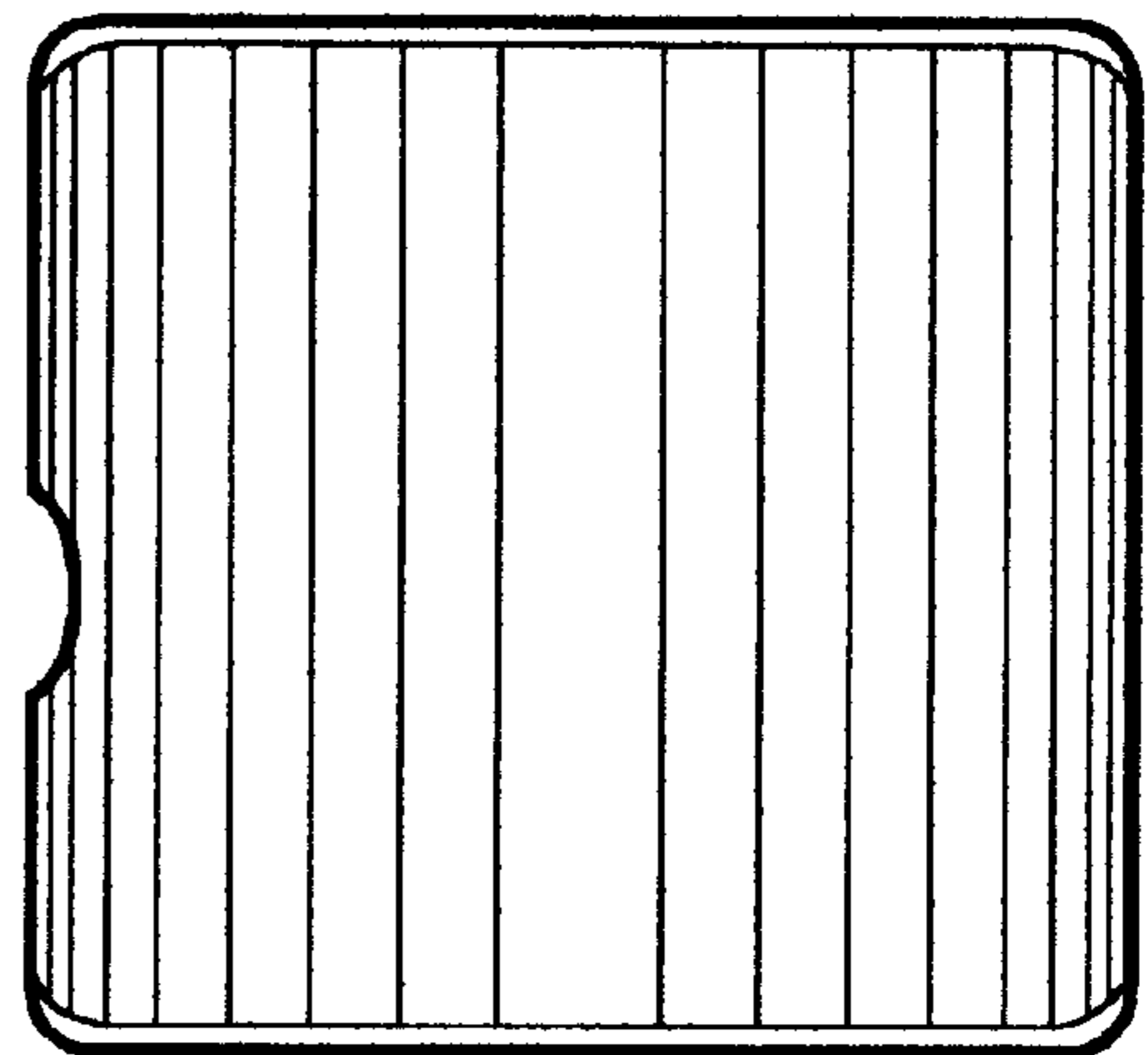


FIG. 3

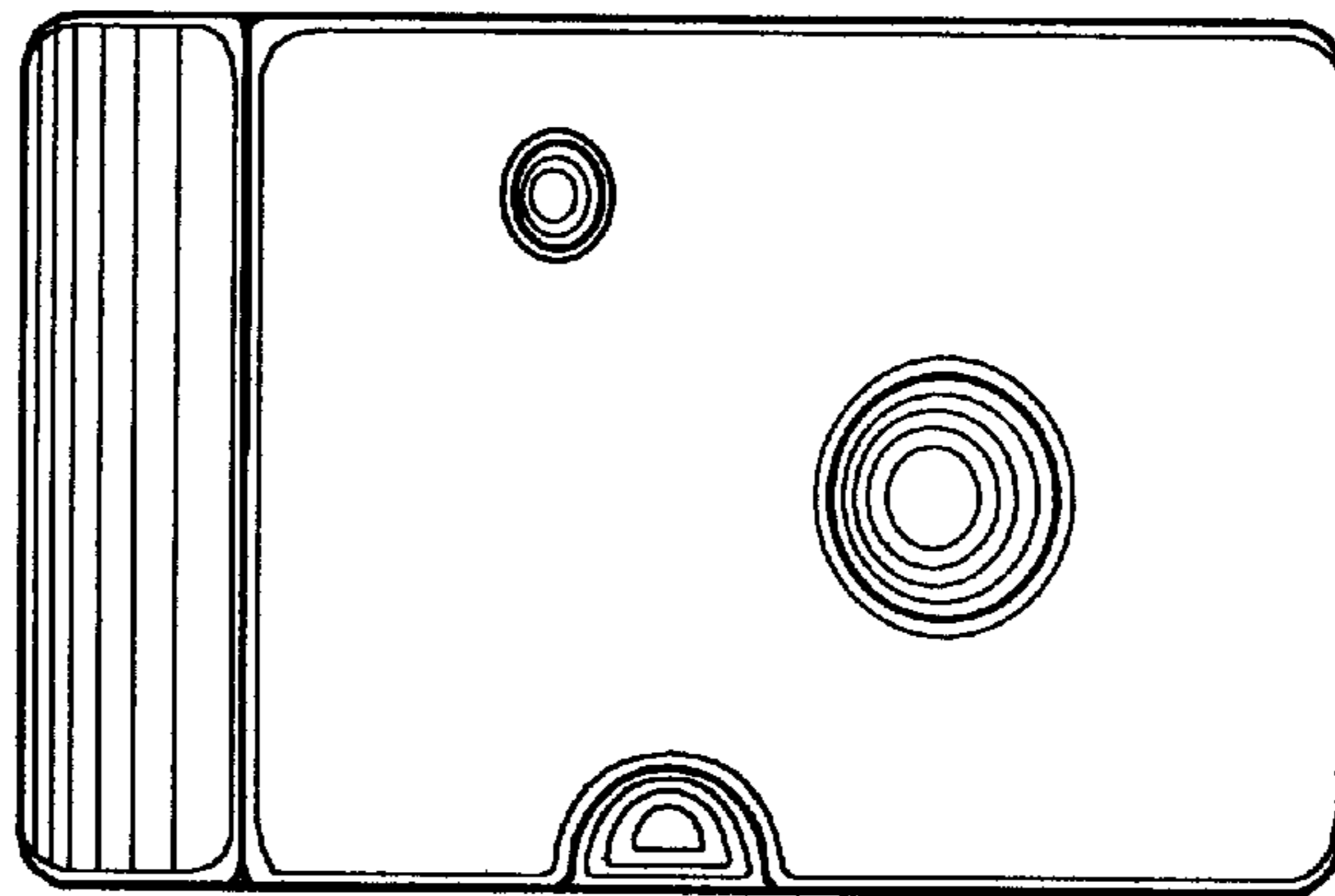


FIG. 4

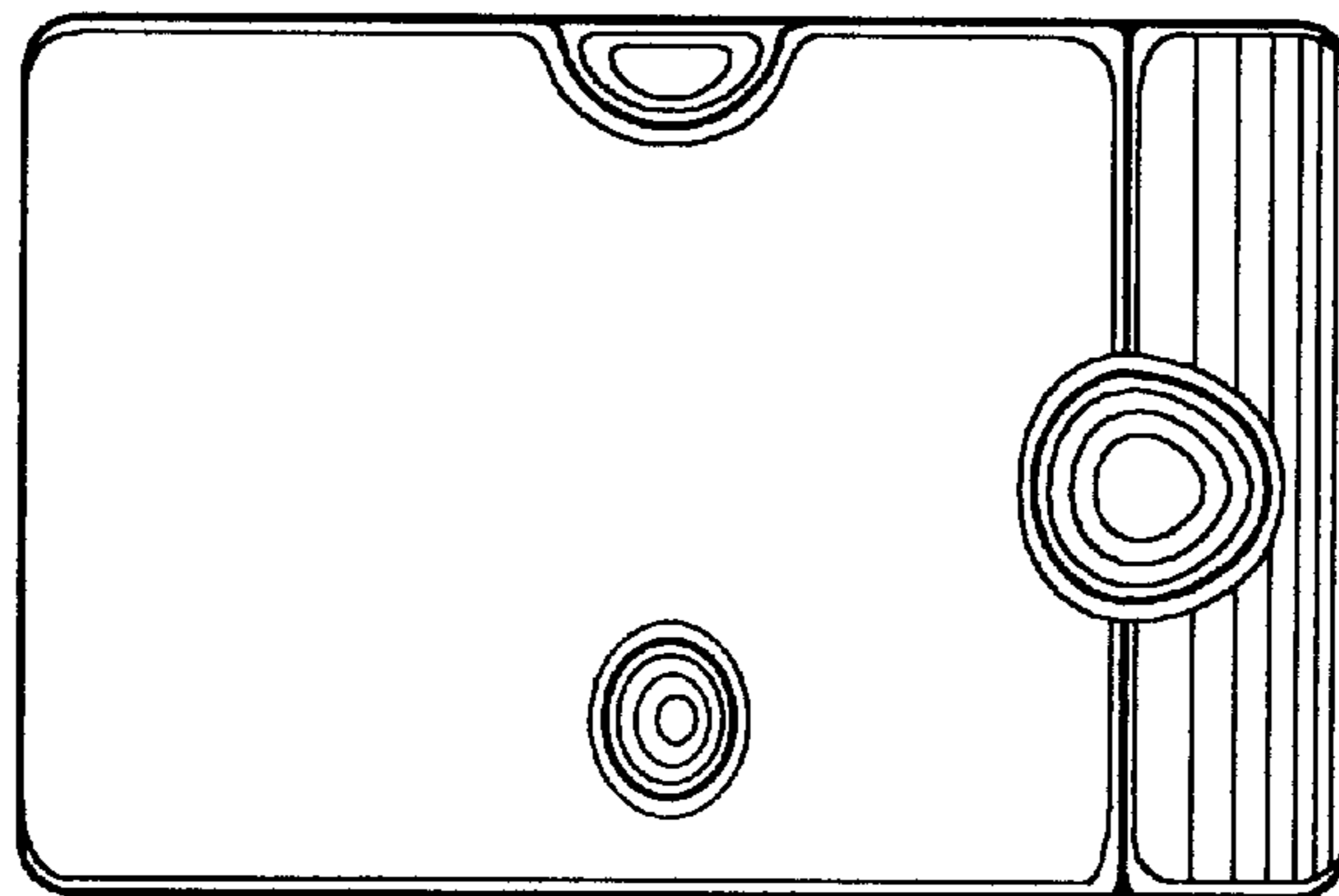


FIG. 5

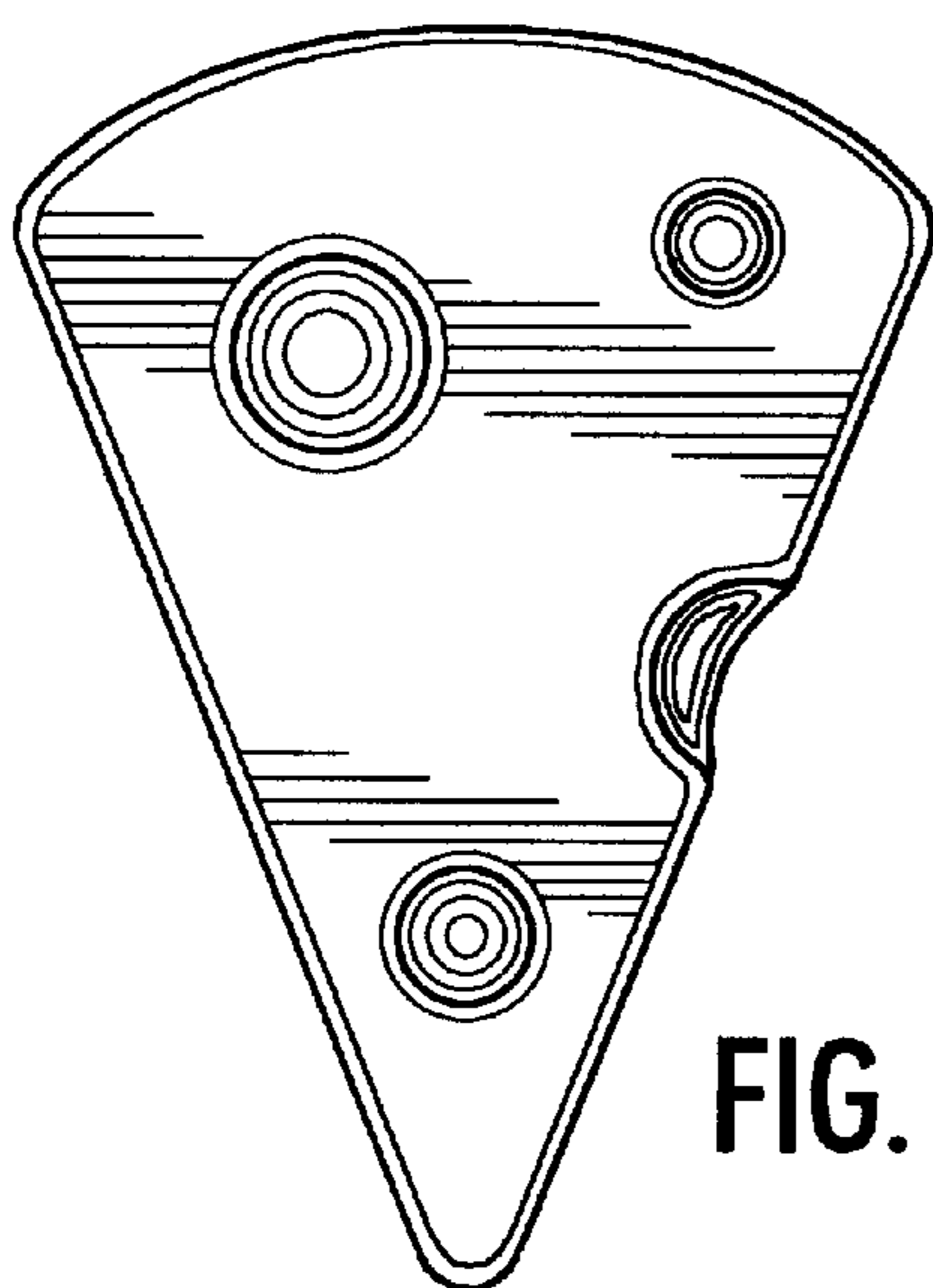


FIG. 6

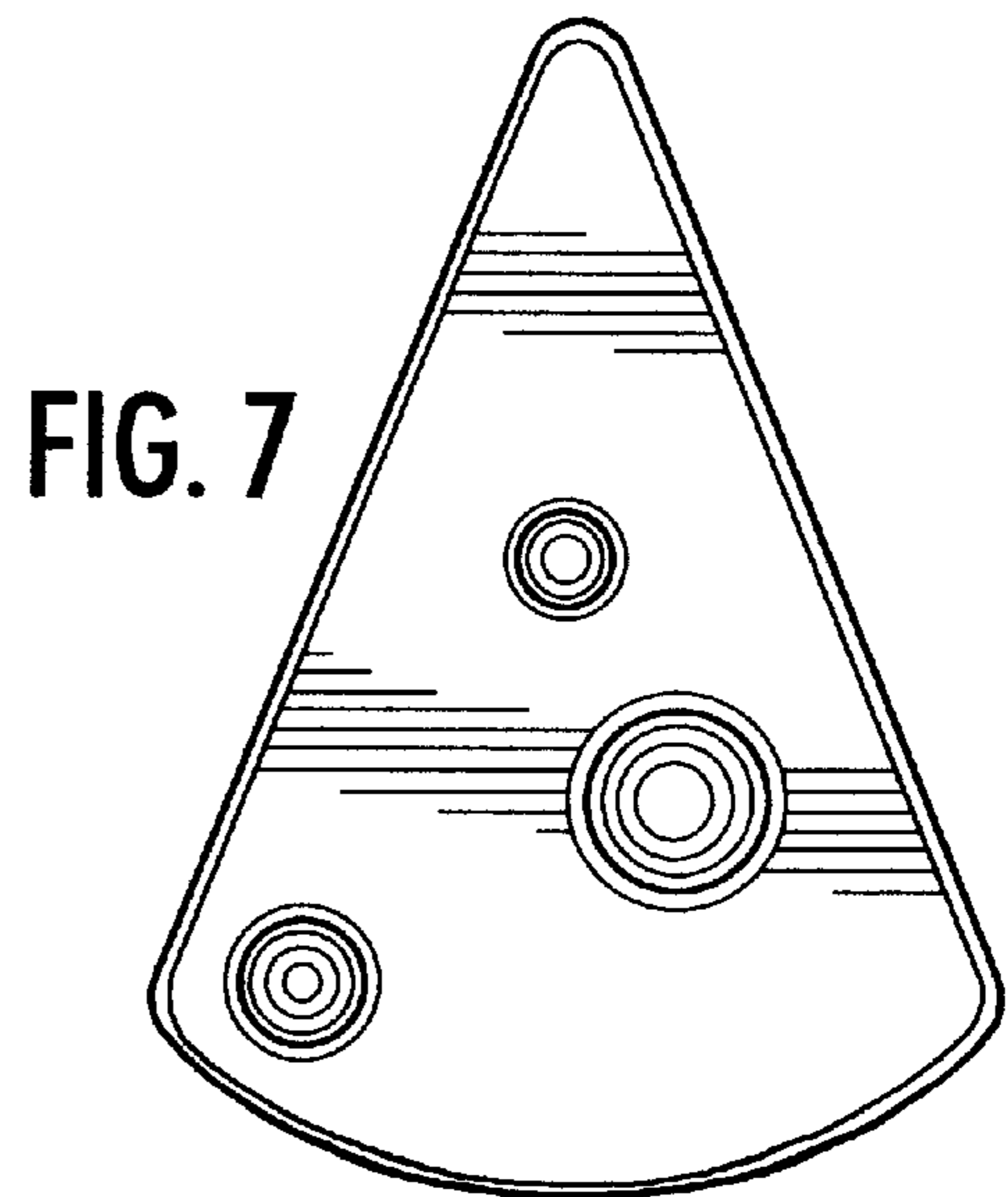


FIG. 7