



US00D427257S

United States Patent [19] Ray

[11] **Patent Number: Des. 427,257**

[45] **Date of Patent: ** Jun. 27, 2000**

[54] **EXERCISE RAIL**

5,556,369 9/1996 Roberts 482/131

[75] Inventor: **Jimmy Gaines Ray**, Fallbrook, Calif.

Primary Examiner—Philip S. Hyder
Attorney, Agent, or Firm—Perman & Green, LLP

[73] Assignee: **Prepak Products, Inc.**, Oceanside, Calif.

[57] **CLAIM**

[**] Term: **14 Years**

I claim the ornamental design of a exercise rail, as shown and described.

[21] Appl. No.: **29/113,262**

DESCRIPTION

[22] Filed: **Nov. 2, 1999**

[51] **LOC (7) Cl.** **21-02**

[52] **U.S. Cl.** **D21/662; D21/673; D21/694**

[58] **Field of Search** D21/662, 675, D21/676, 694, 673; 482/97, 98, 129, 130, 133, 135, 138, 131

FIG. 1 is a front elevation view of the exercise rail showing my new design;

FIG. 2 is a bottom, front and right side perspective view showing my new design;

FIG. 3 is a front elevation view thereof;

FIG. 4 is a bottom plan view thereof, the top plan view being a mirror image thereof;

FIG. 5 is a right side elevation view thereof; and,

FIG. 6 is a left side elevation view thereof.

The broken line showing of the environment of the exercise rail in FIG. 1 is for illustrative purposes only and forms no part of the claimed design.

[56] **References Cited**

U.S. PATENT DOCUMENTS

D. 268,508	4/1983	Silberman et al.	D21/675
D. 274,538	7/1984	Grosser	D21/694
D. 298,057	10/1988	Mahnke et al.	D21/694
D. 398,670	9/1998	Crawford et al.	D21/662

1 Claim, 2 Drawing Sheets

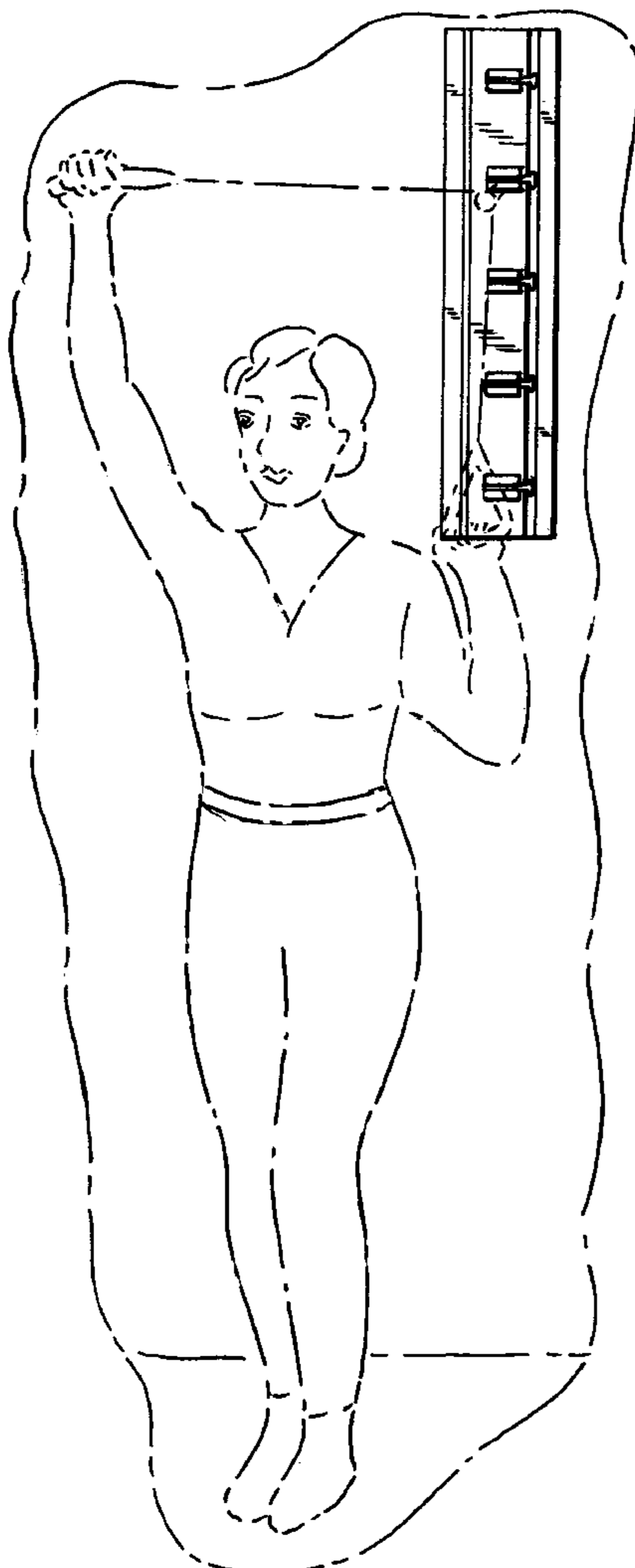


FIG. 1

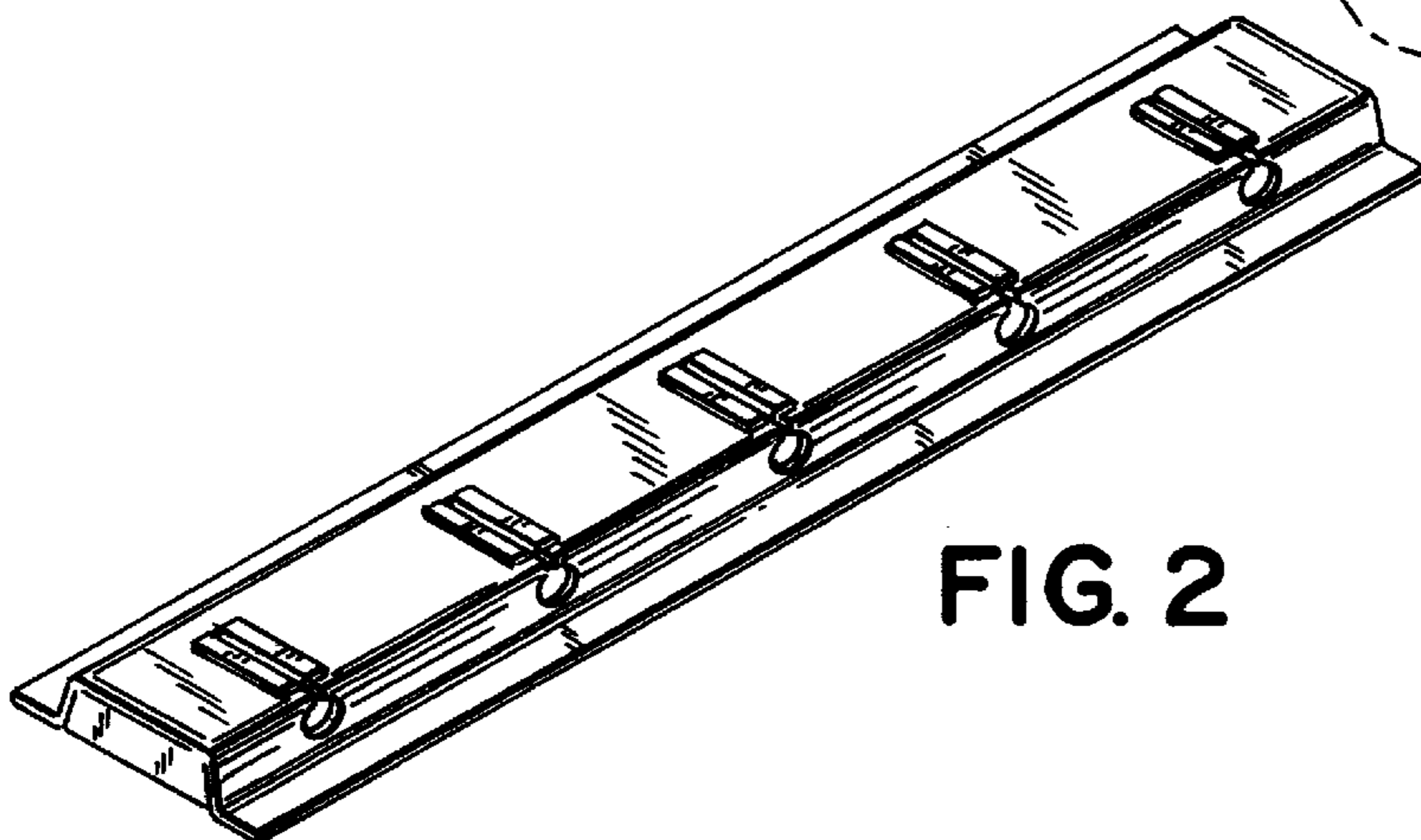
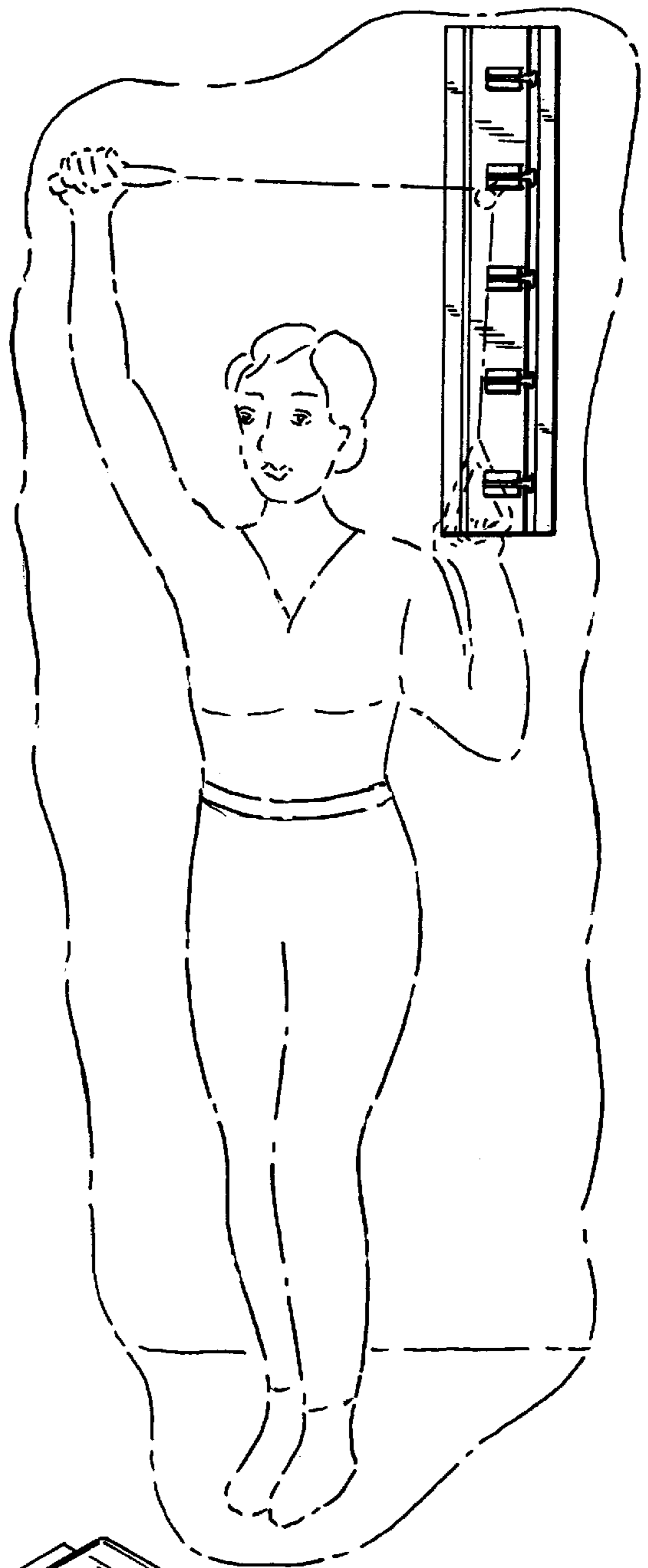


FIG. 2

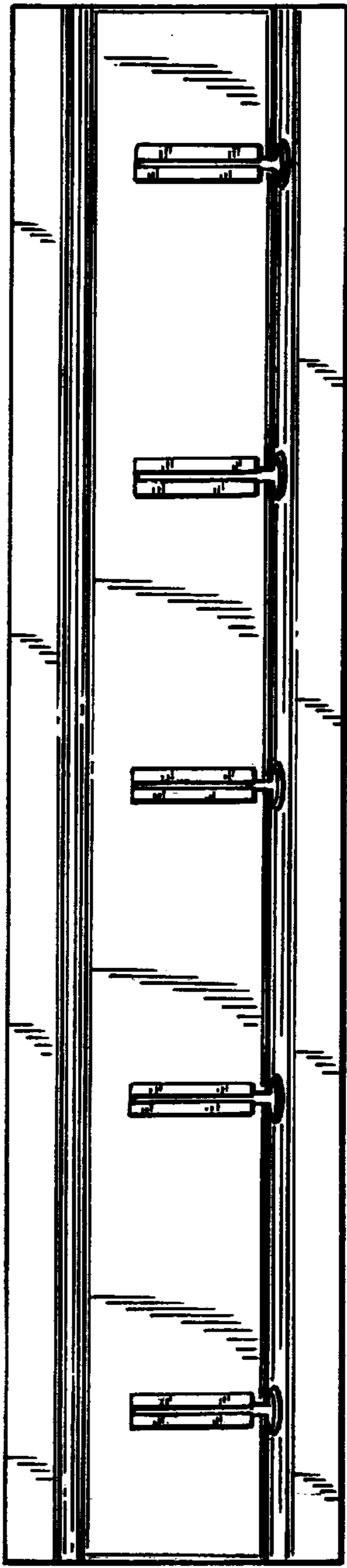


FIG. 3



FIG. 5



FIG. 6



FIG. 4