



US00D427256S

# United States Patent [19] Teigiser

[11] **Patent Number: Des. 427,256**

[45] **Date of Patent: \*\* Jun. 27, 2000**

[54] **TOY INSECT**

[76] Inventor: **Jeremy S Teigiser**, 2568 E. Baseline Ave. #152, Highland, Calif. 92346

[\*\*] Term: **14 Years**

[21] Appl. No.: **29/110,907**

[22] Filed: **Sep. 16, 1999**

[51] **LOC (7) Cl.** ..... **21-01**

[52] **U.S. Cl.** ..... **D21/650**

[58] **Field of Search** ..... D11/158; D21/576, D21/585, 587, 588, 650; 446/72, 97-98, 268, 278, 327, 328, 367, 368, 369, 396

[56] **References Cited**

**U.S. PATENT DOCUMENTS**

D. 167,006	6/1952	Schaper .....	D21/650
D. 289,070	3/1987	Forbes et al. ....	D21/650
D. 289,747	5/1987	Sethares et al. ....	D11/158
D. 291,711	9/1987	Dixon .....	D21/650

D. 362,036	9/1995	Schleufer .....	D21/650
D. 400,618	11/1998	Wain .....	D21/650
4,629,440	12/1986	Mckittrick, Jr. et al. ....	446/356

*Primary Examiner*—Sandra L. Morris

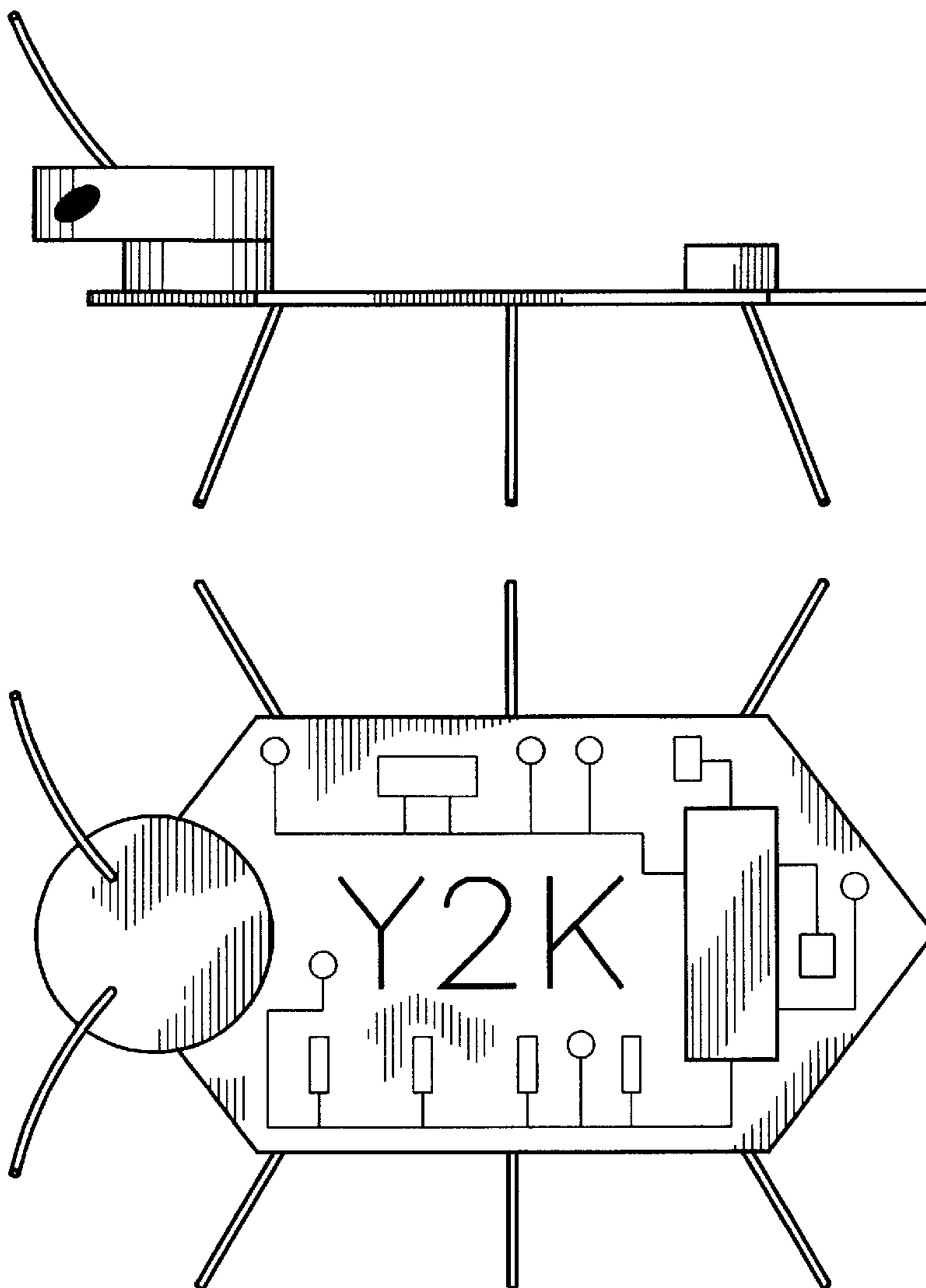
[57] **CLAIM**

The ornamental design for a toy insect, as shown and described.

**DESCRIPTION**

FIG. 1 is a front elevational view of the toy insect of the present invention;  
 FIG. 2 is a rear elevational view of the toy insect of FIG. 1;  
 FIG. 3 is a left side elevational view of the toy insect of FIG. 1;  
 FIG. 4 is a right side elevational view of the toy insect of FIG. 1;  
 FIG. 5 is a top plan view of the toy insect of FIG. 1; and,  
 FIG. 6 is a bottom plan view of the toy insect of FIG. 1.

**1 Claim, 2 Drawing Sheets**



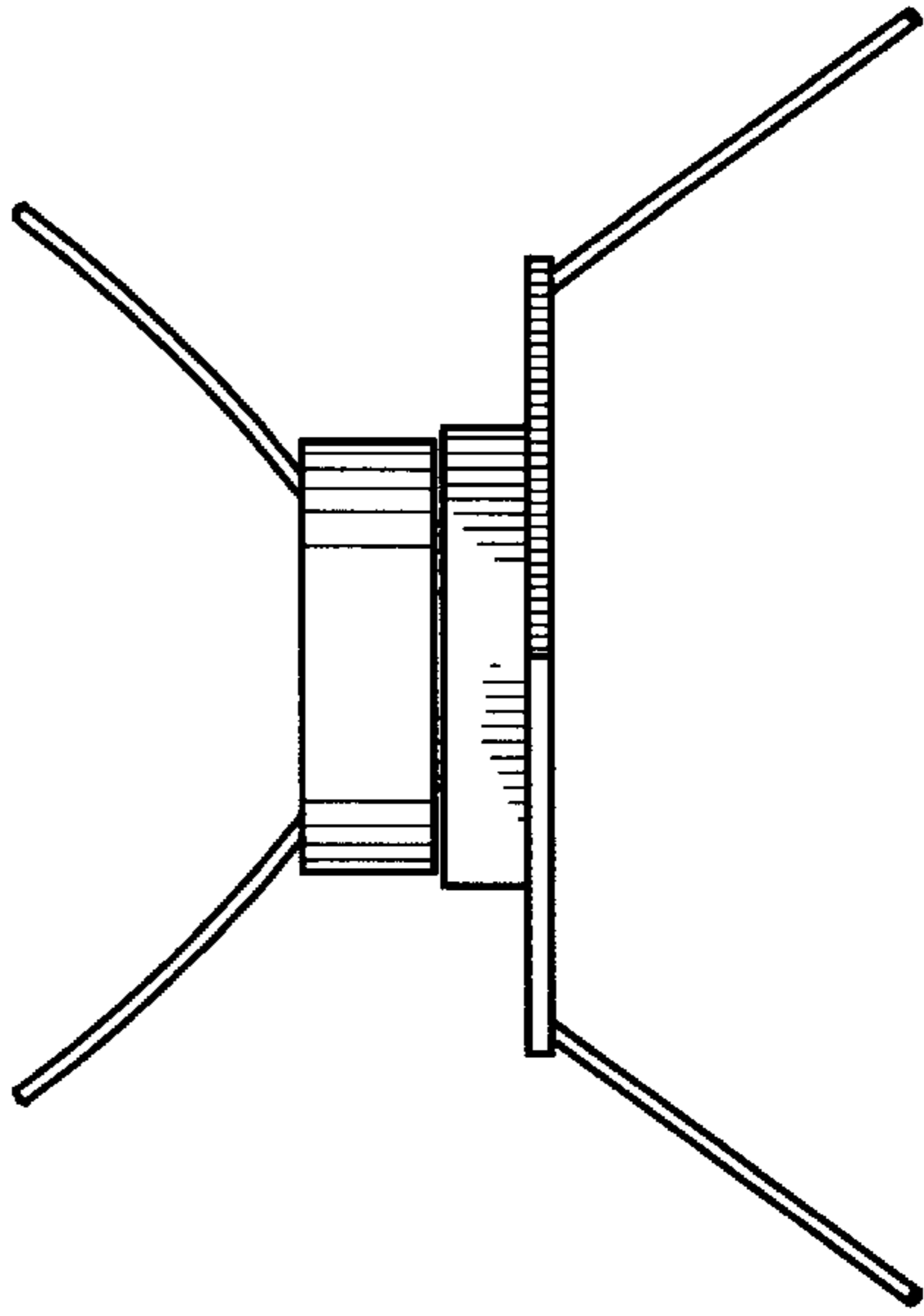
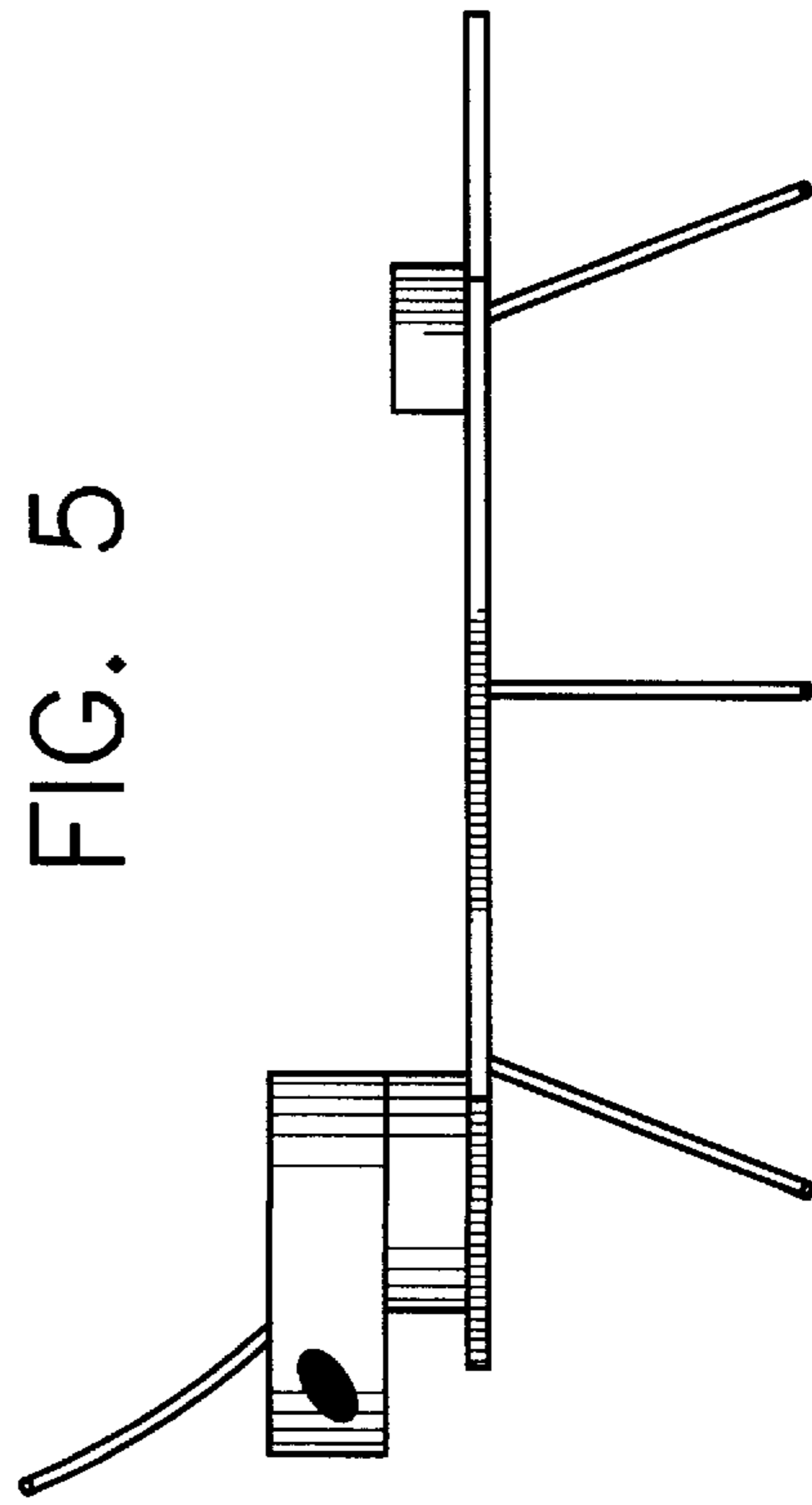
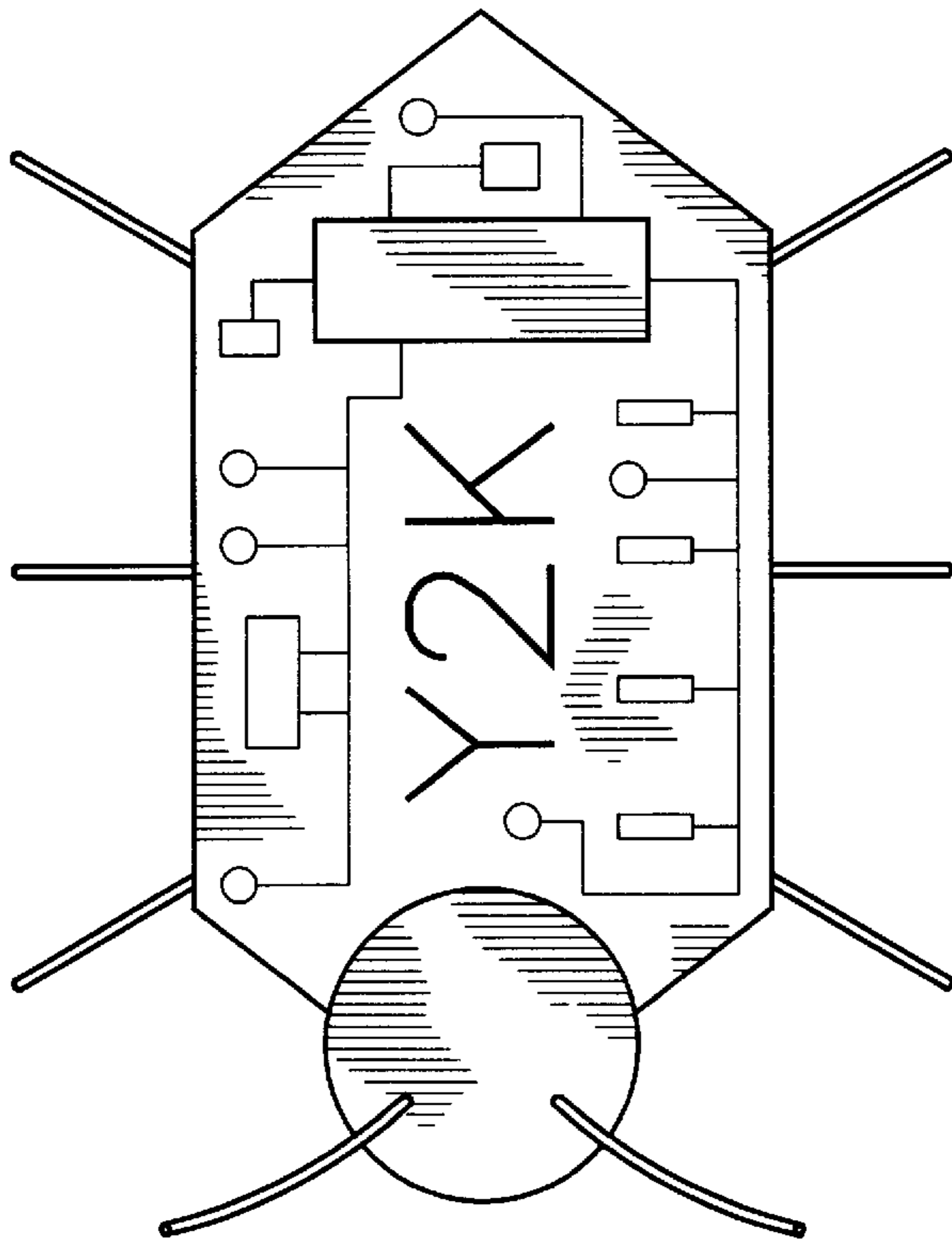


FIG. 5

FIG. 1

FIG. 4

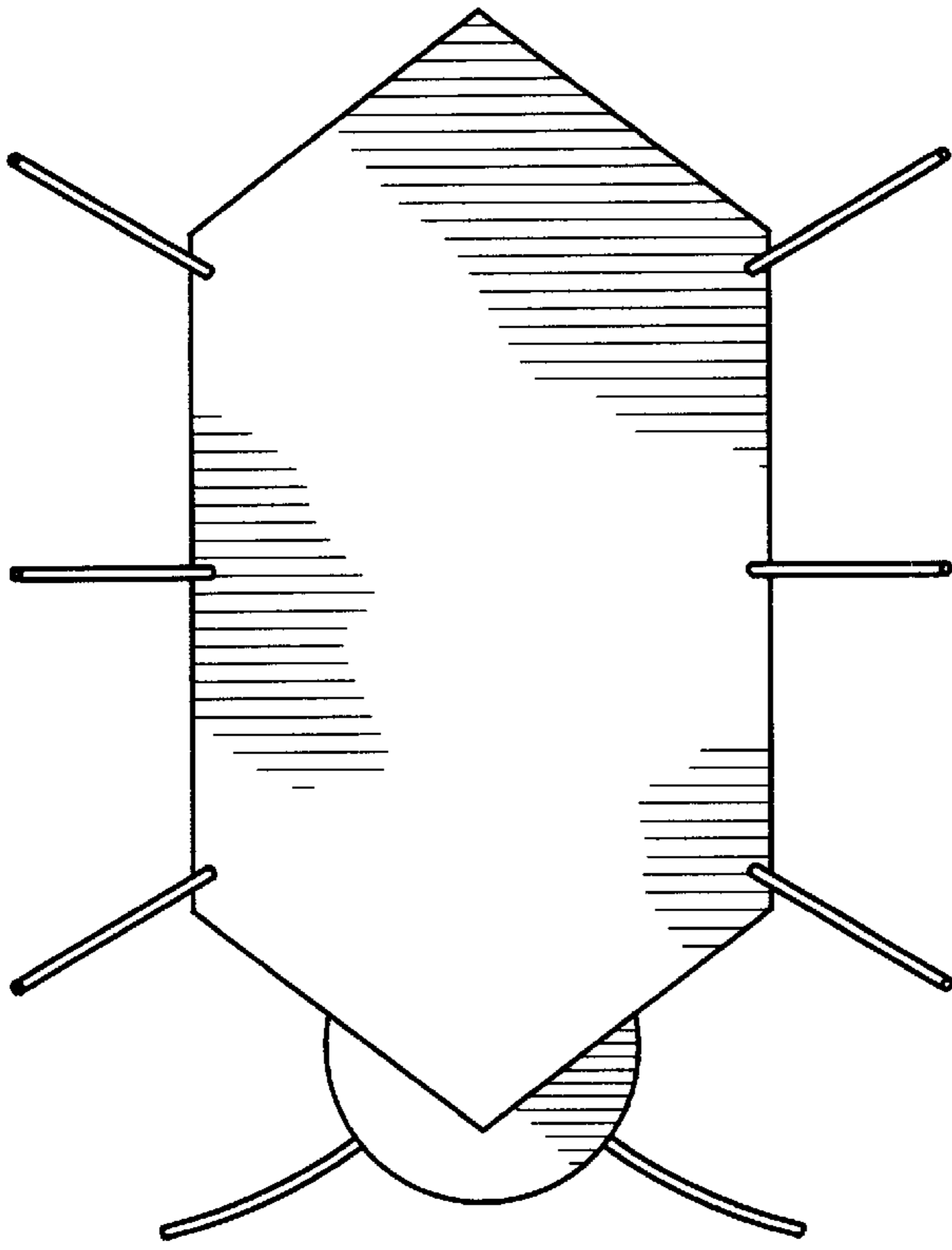


FIG. 6

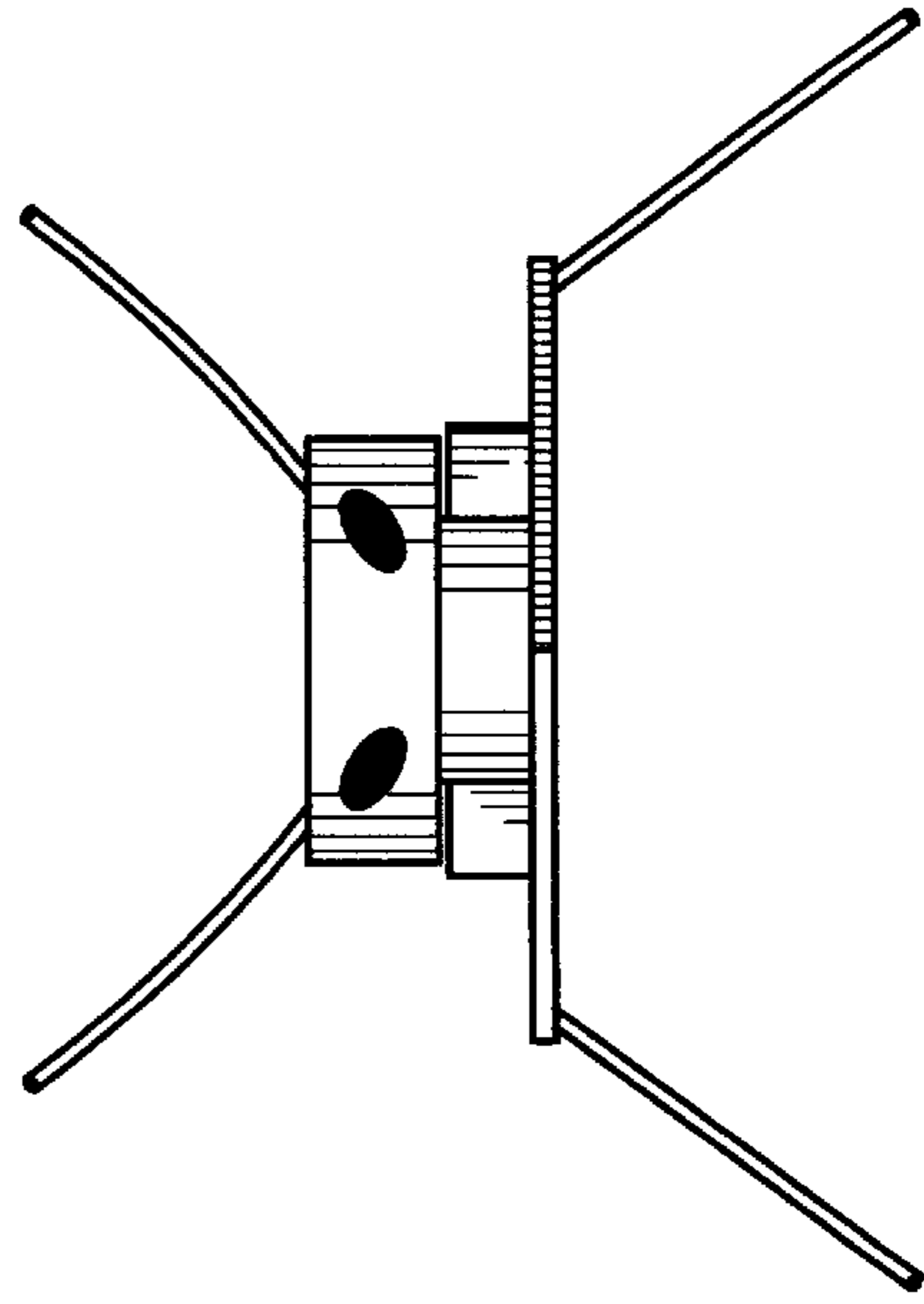


FIG. 3

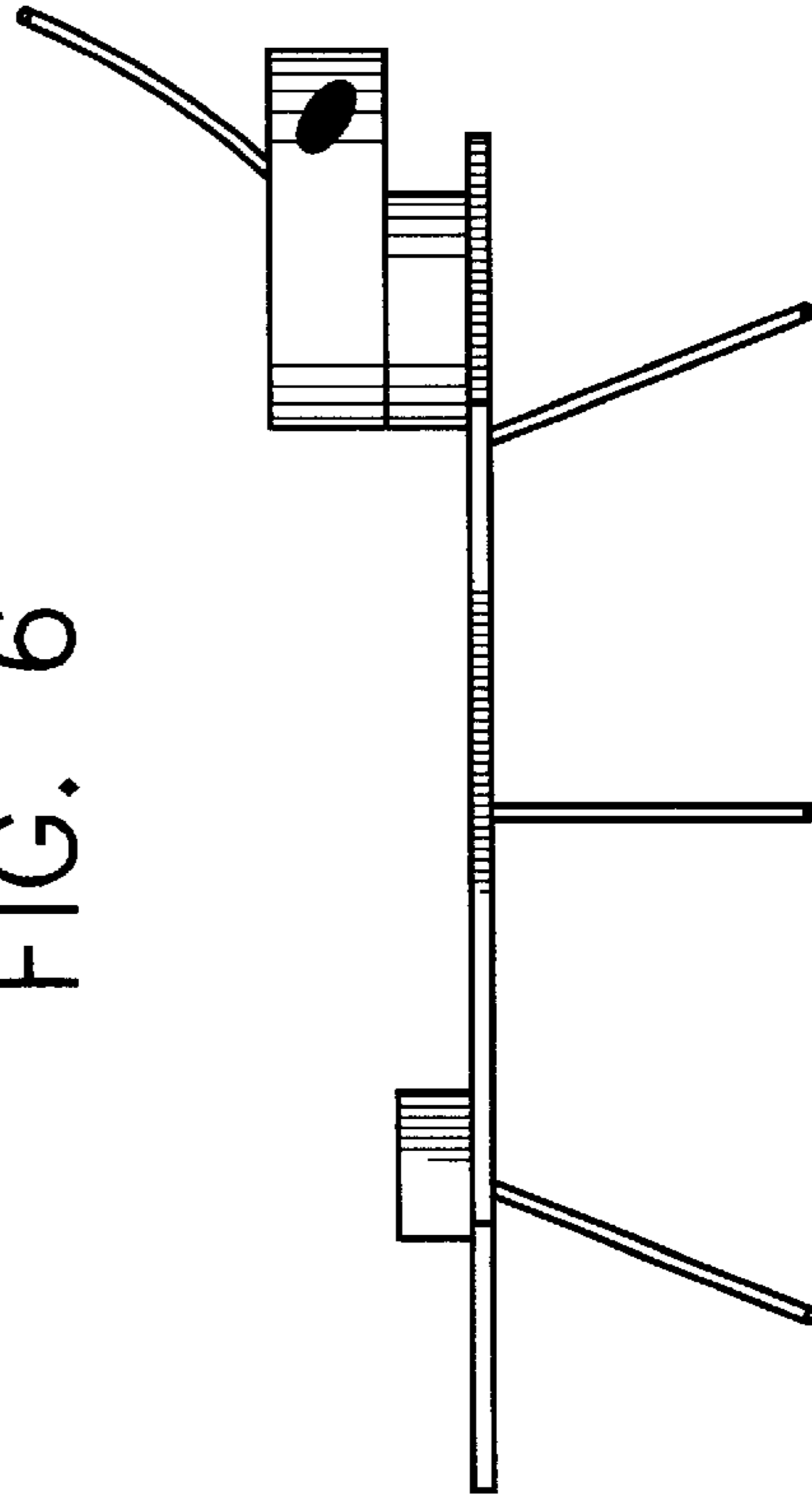


FIG. 2