



US00D427251S

**United States Patent** [19]  
**D'Andrade et al.**

[11] **Patent Number: Des. 427,251**  
[45] **Date of Patent: \*\* Jun. 27, 2000**

[54] **WATER GUN**

[75] Inventors: **Bruce M. D'Andrade, deceased, late of White Station, N.J., by Mary Ann D'Andrade, legal representative; Jose Longoria, Miami, Fla.**

[73] Assignee: **Larami Limited, Mt. Laurel, N.J.**

[\*\*] Term: **14 Years**

[21] Appl. No.: **29/106,287**

[22] Filed: **Jun. 11, 1999**

**Related U.S. Application Data**

[63] Continuation-in-part of application No. 29/089,299, Jun. 12, 1998, abandoned.

[51] **LOC (7) Cl. .... 21-01**

[52] **U.S. Cl. .... D21/572**

[58] **Field of Search .... D21/567-575; D23/225-226; D22/103; D14/117.8; 446/267, 473, 475; 222/78-79; 239/211, 237, 329, 373; 124/6, 16, 73-76**

[56] **References Cited**

**U.S. PATENT DOCUMENTS**

- D. 336,938 6/1993 D'Andrade .
- D. 340,957 11/1993 D'Andrade .

- D. 350,573 9/1994 Caminos et al. .
- D. 367,685 3/1996 Luk ..... D21/572
- D. 390,892 2/1998 D'Andrade .
- D. 413,364 8/1999 D'Andrade ..... D21/572
- 5,292,032 3/1994 Johnson et al. .... 446/473
- 5,343,850 9/1994 Steer ..... 124/64
- 5,785,927 3/1999 D'Andrade ..... 222/79
- 5,799,827 9/1998 D'Andrade ..... 222/79

**OTHER PUBLICATIONS**

Larami Limited 1996 Products Catalog, pp. 24 and 36.

*Primary Examiner*—Raphael Barkai  
*Attorney, Agent, or Firm*—Akin, Gump, Strauss, Hauer & Feld, L.L.P.

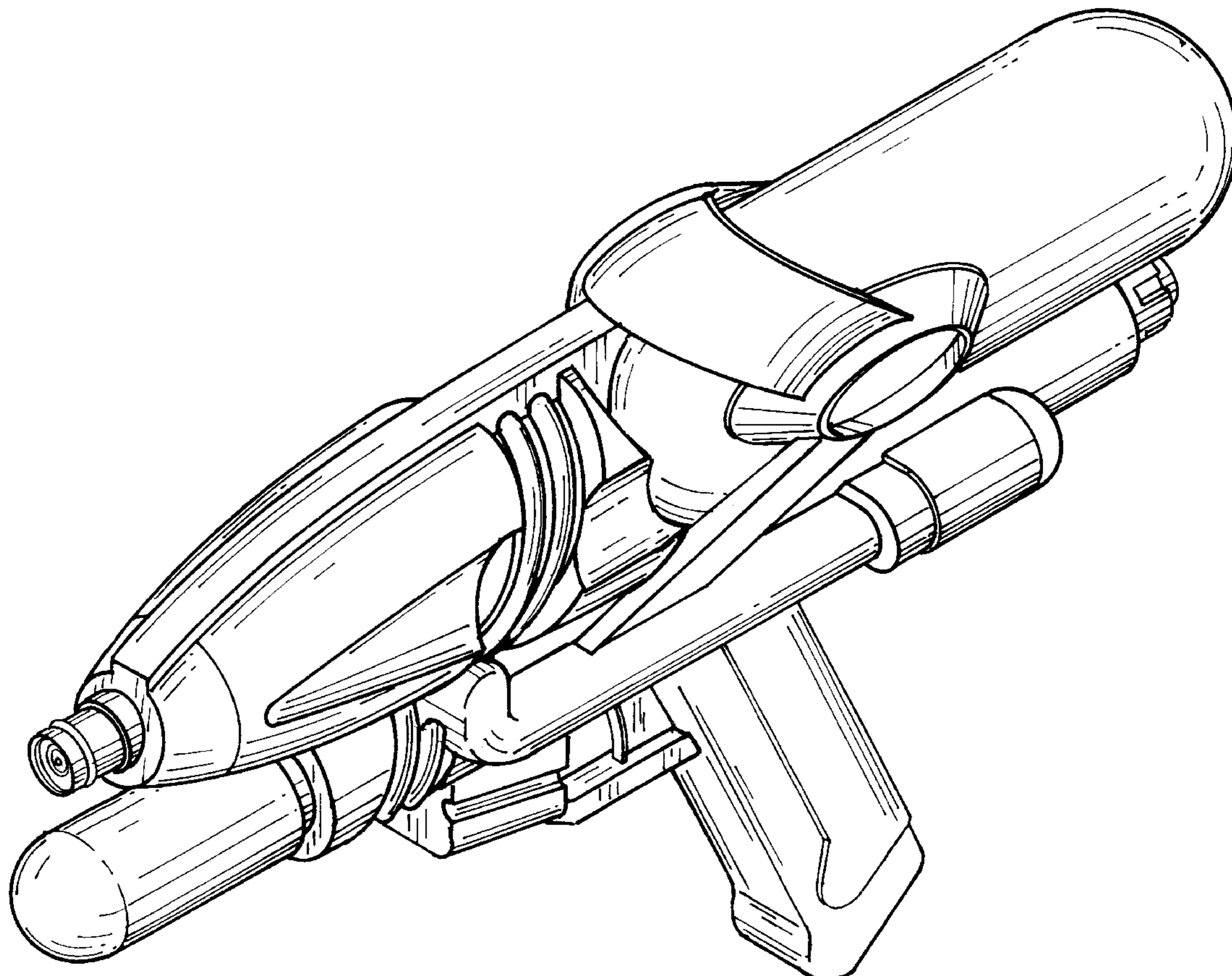
[57] **CLAIM**

The ornamental design for a water gun, as shown and described.

**DESCRIPTION**

FIG. 1 is a perspective view of a water gun in accordance with our new design;  
FIG. 2 is a right side elevational view thereof, the left elevational view being a mirror image thereof;  
FIG. 3 is a top plan view thereof;  
FIG. 4 is a bottom plan view thereof;  
FIG. 5 is a front elevational view thereof; and,  
FIG. 6 is a rear elevational view thereof.

**1 Claim, 3 Drawing Sheets**



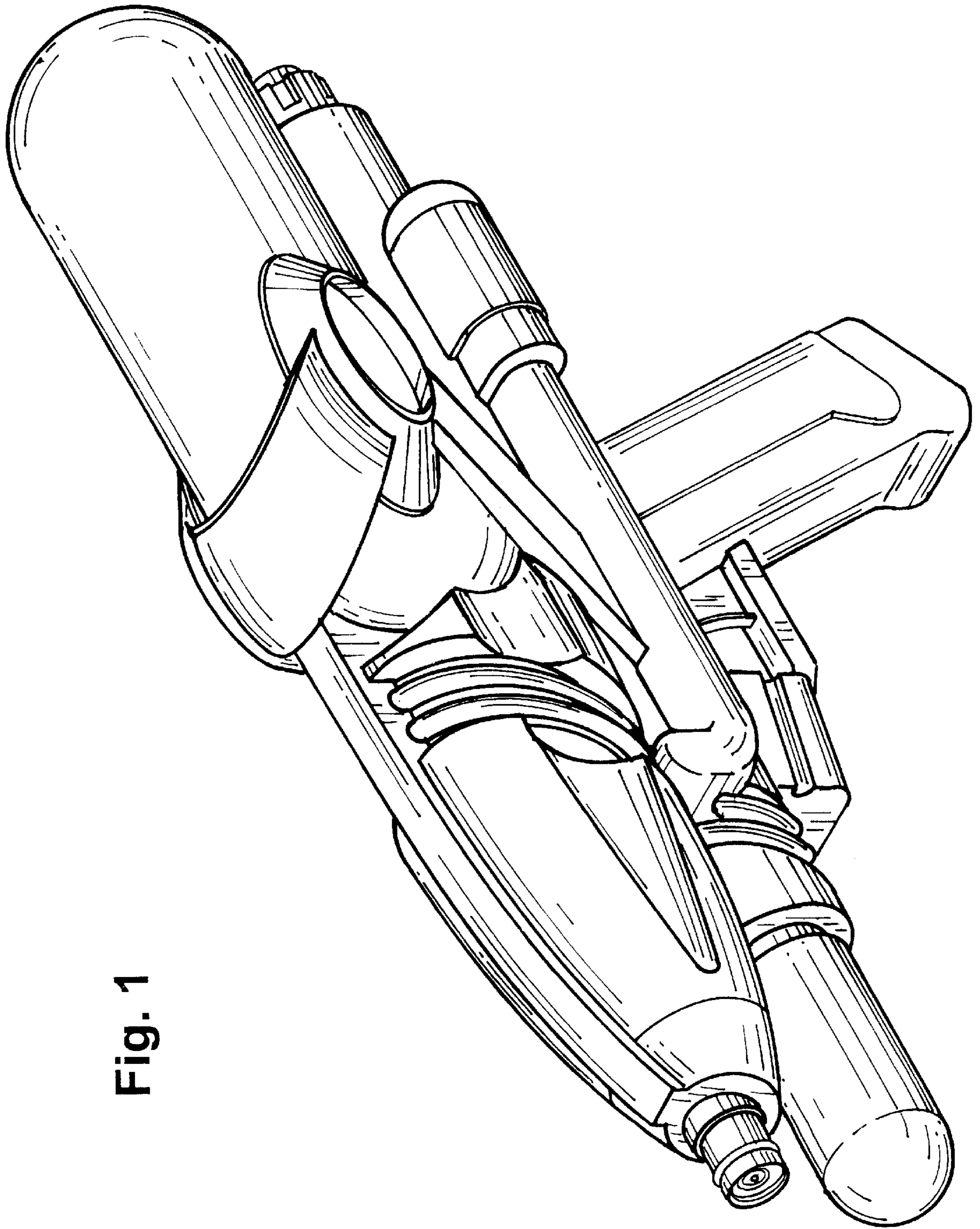


Fig. 1

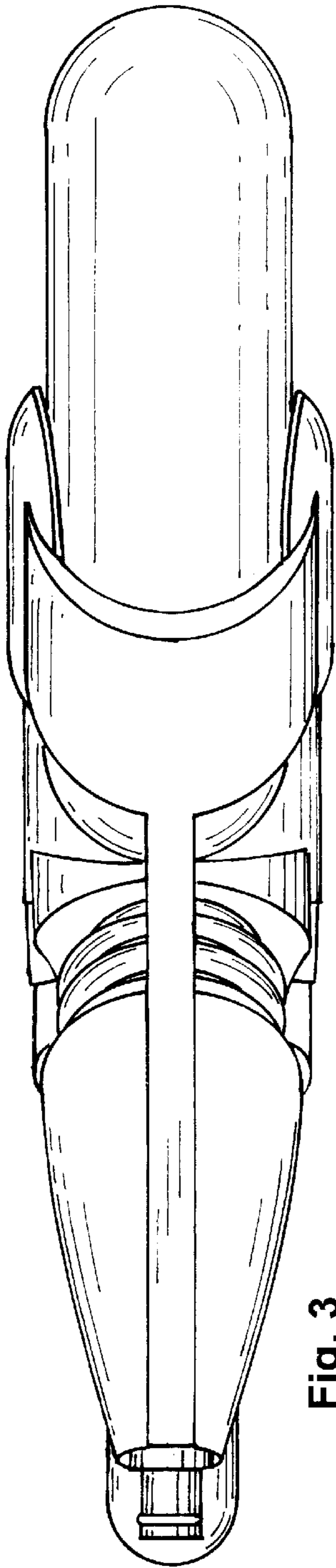


Fig. 3

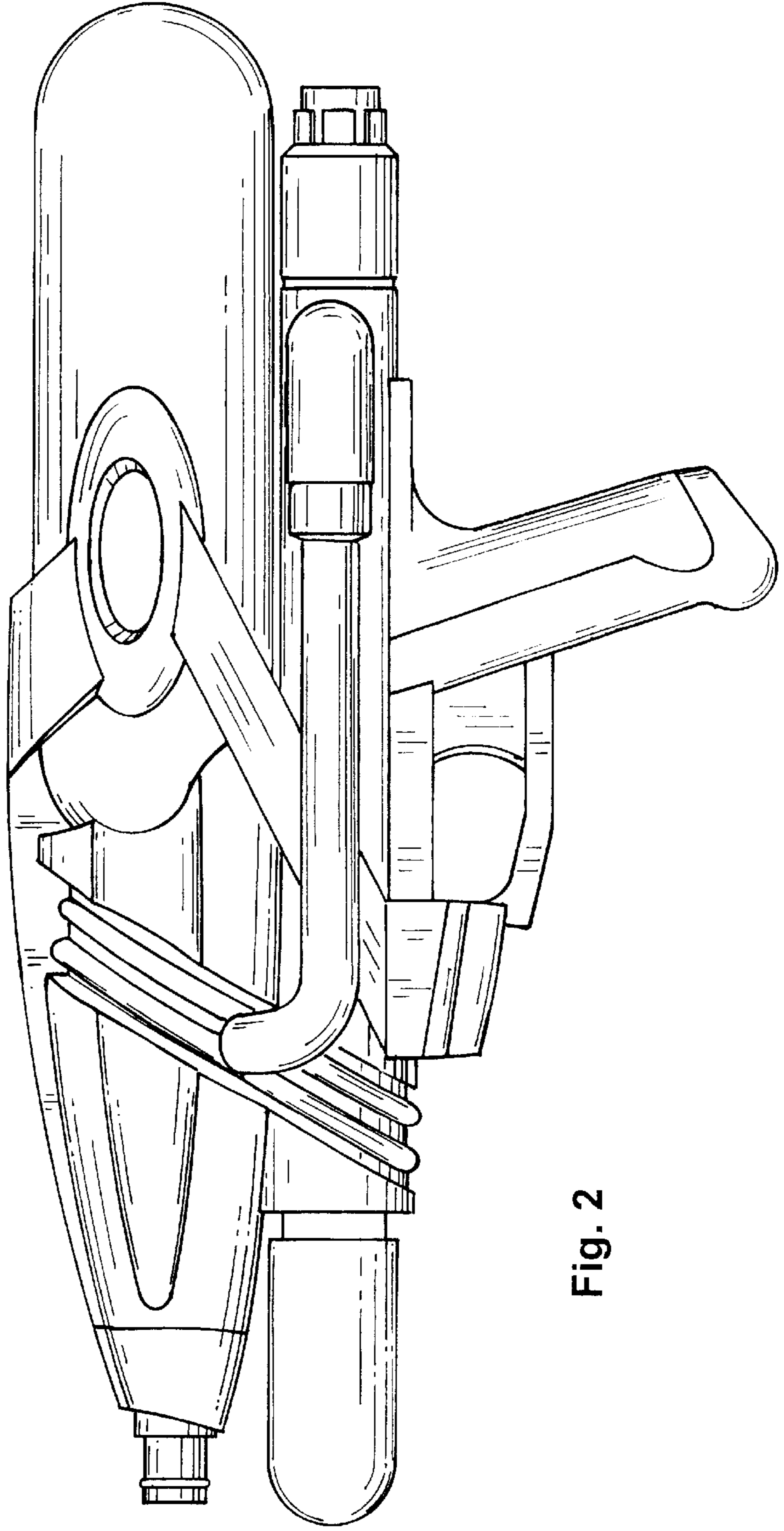


Fig. 2

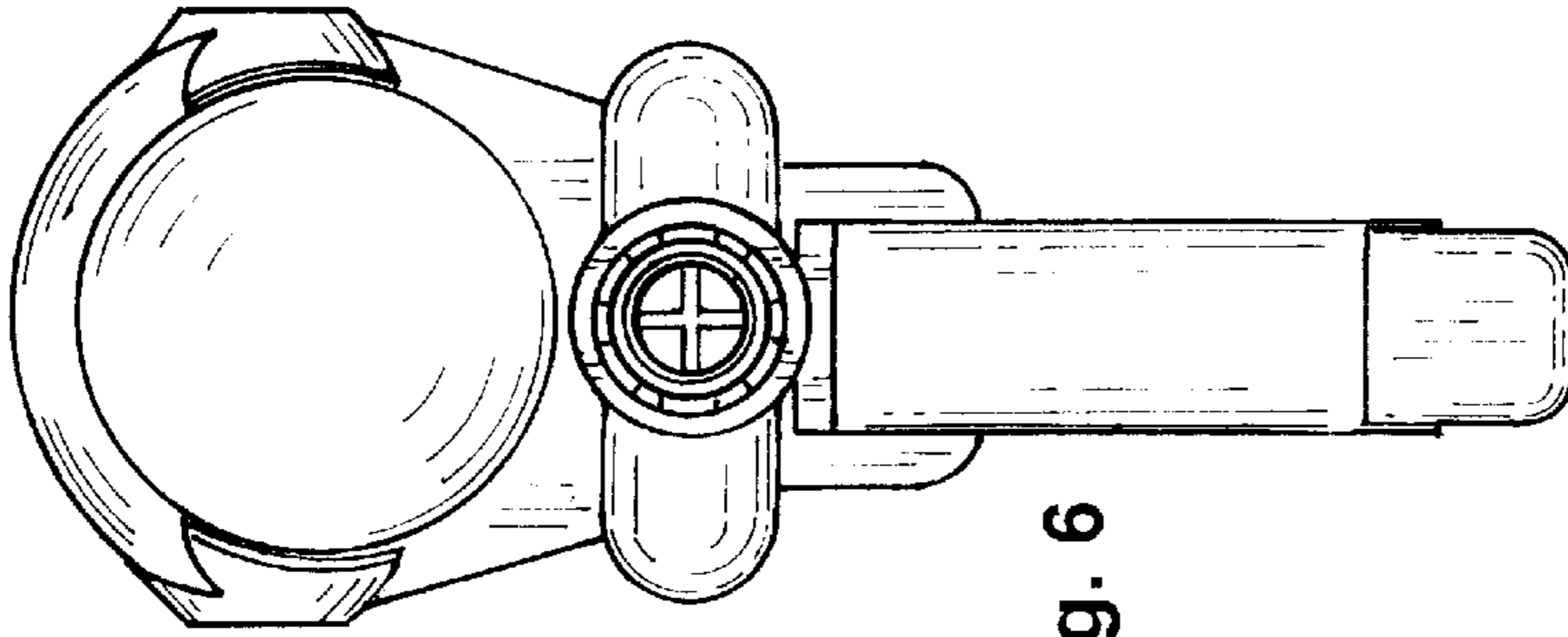


Fig. 6

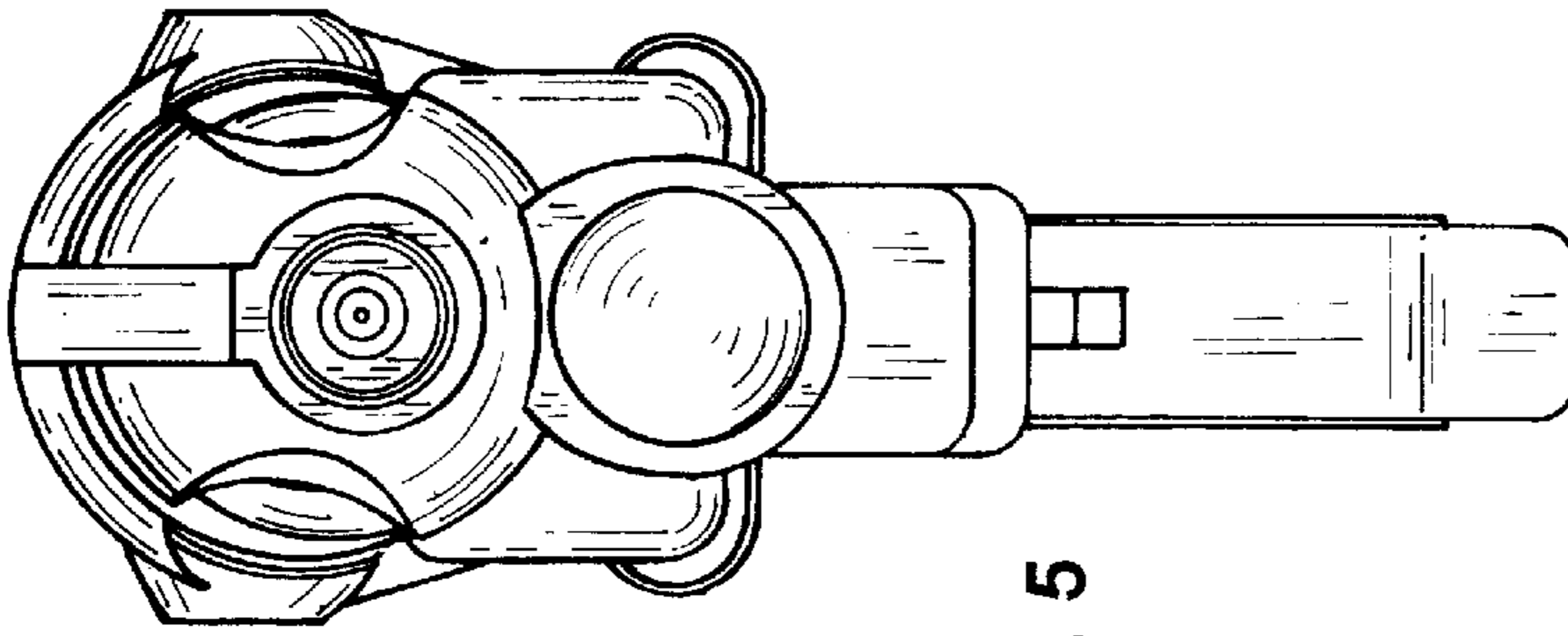


Fig. 5

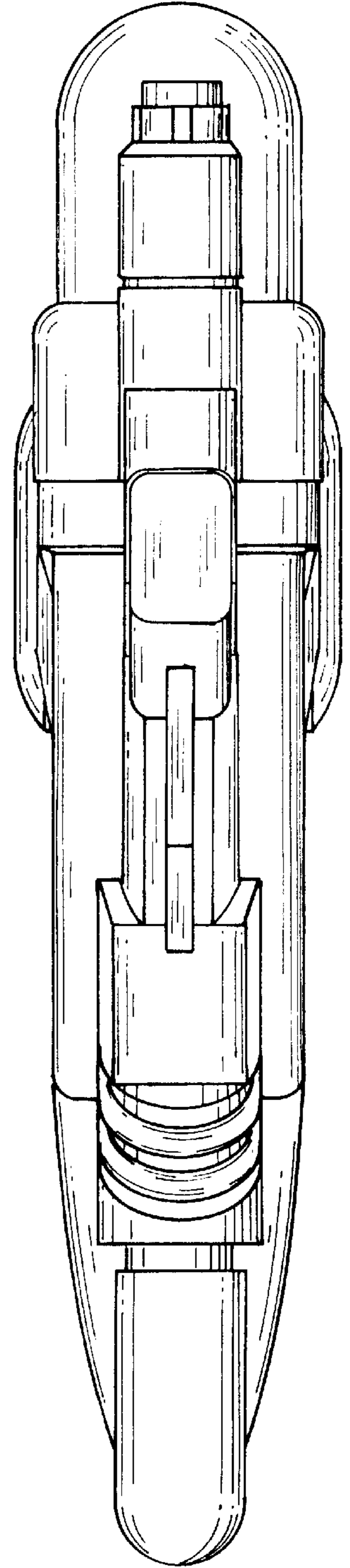


Fig. 4