



US00D427245S

# United States Patent [19]

Nagata et al.

[11] Patent Number: Des. 427,245

[45] Date of Patent: \*\* Jun. 27, 2000

[54] CARTRIDGE FOR GAME MACHINE

[75] Inventors: Hideo Nagata; Kenichi Sugino; Yuji Hori, all of Kyoto, Japan

[73] Assignee: Nintendo Co., Ltd., Japan

[\*\*] Term: 14 Years

[21] Appl. No.: 29/100,208

[22] Filed: Feb. 5, 1999

[51] LOC (7) Cl. .... 21-01

[52] U.S. Cl. .... D21/332

[58] Field of Search ..... D14/114, 120, D14/121, 217, 299; D21/332, 333; 273/148 B; 463/1, 30, 43-47; 360/132, 133; 242/348, 341, 335; 369/291, 292, 77.2, 75.1

### [56] References Cited

#### U.S. PATENT DOCUMENTS

D. 292,399	10/1987	Yukawa .	
D. 312,081	11/1990	Yukawa .	
D. 315,903	4/1991	Nakauma .....	D14/121
D. 318,273	7/1991	Takaichi .....	D14/121
D. 319,823	9/1991	Kojo .	
D. 320,203	9/1991	Ashida .	
D. 376,795	12/1996	Ashida .....	D14/121
D. 377,488	1/1997	Ashida .....	D14/121

D. 381,977	8/1997	Nagata et al. ....	D14/121
D. 382,868	8/1997	Ashida .	
D. 411,532	6/1999	Sugino .....	D21/332 X
D. 412,187	7/1999	Kitamori .....	D21/332
4,865,321	9/1989	Nakagawa et al. ....	463/29
5,362,068	11/1994	Liu .....	463/44
5,528,223	6/1996	DiLonardo et al. ....	363/29
5,653,638	8/1997	Nagata .....	463/44

Primary Examiner—Prabhakar Deshmukh  
Attorney, Agent, or Firm—Nixon & Vanderhye P.C.

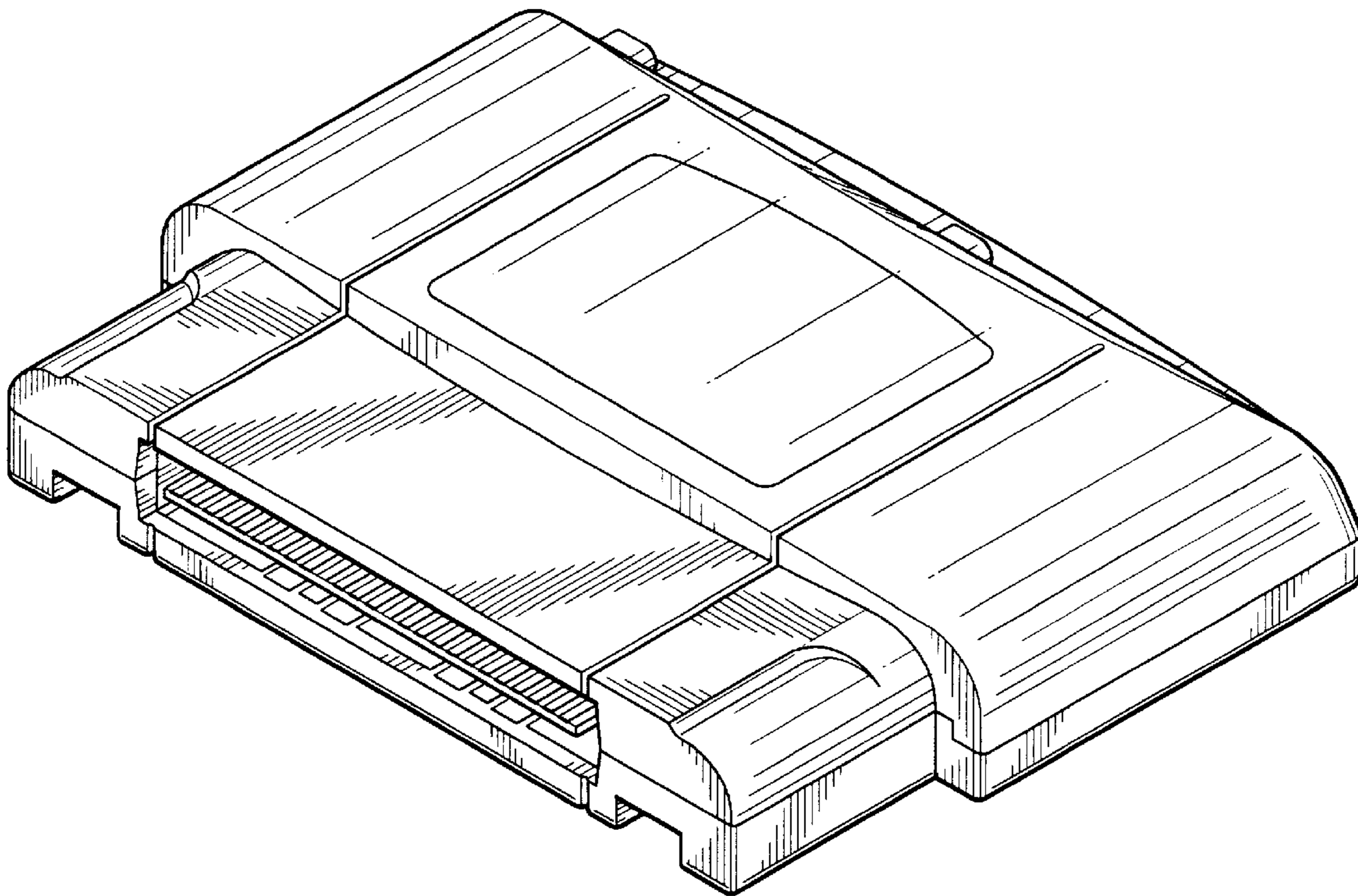
### [57] CLAIM

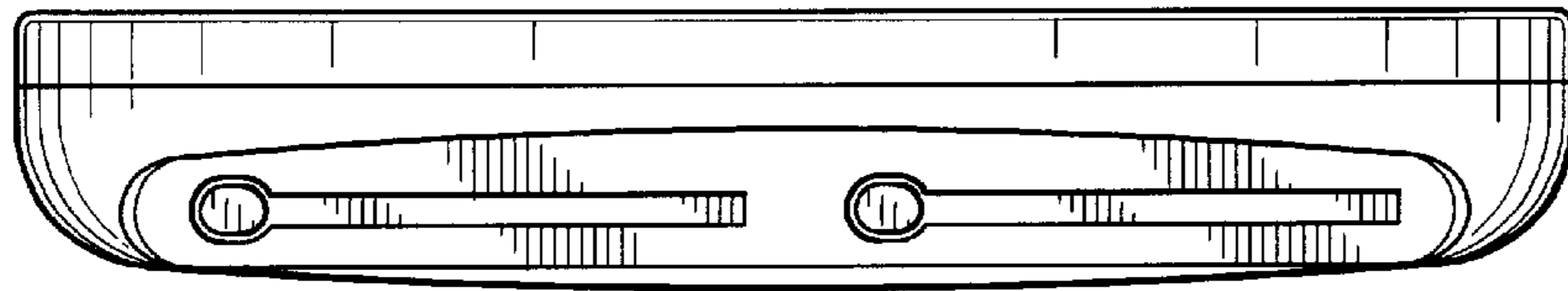
The ornamental design for a cartridge for game machine, as shown and described.

### DESCRIPTION

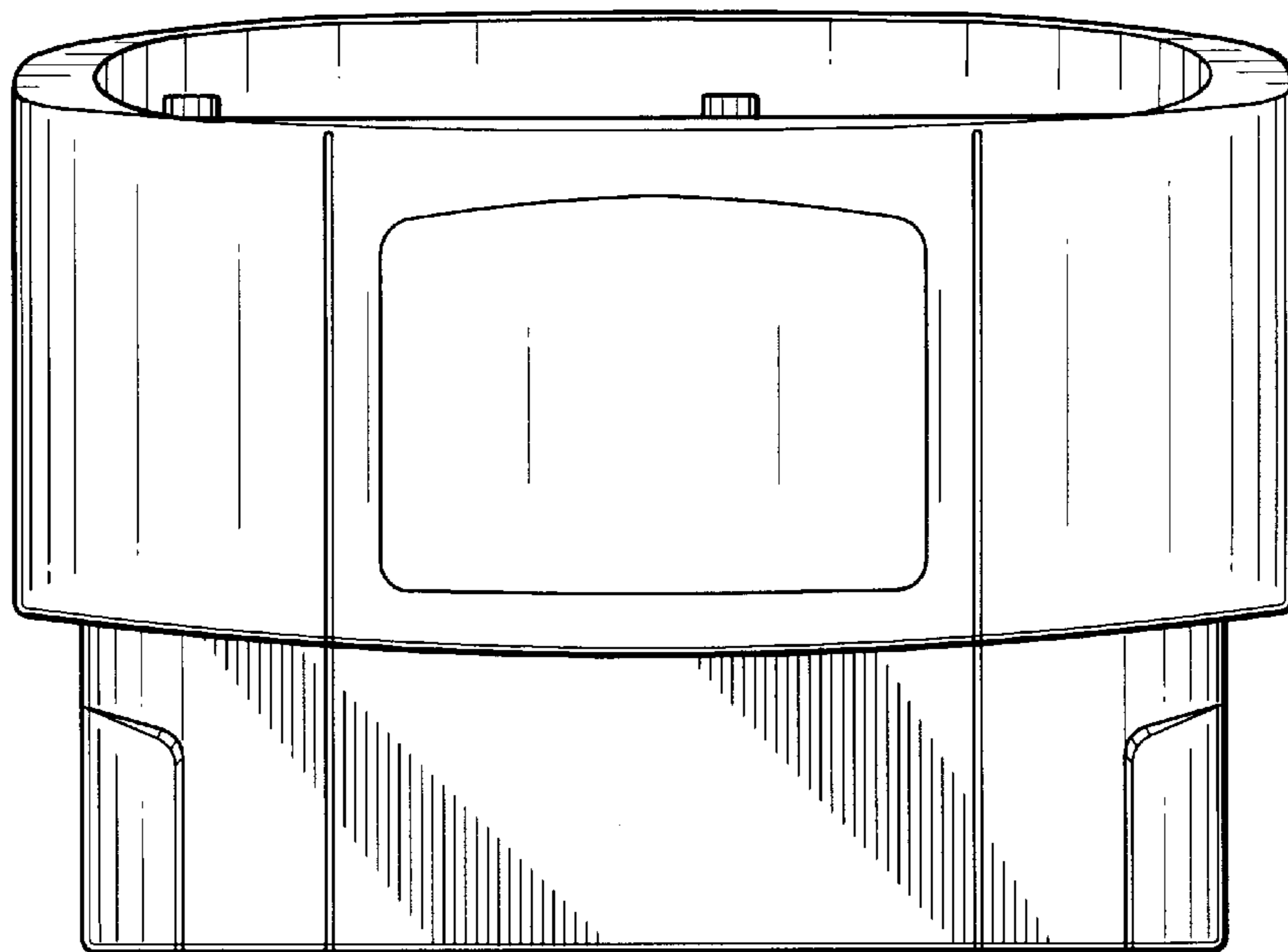
FIG. 1 is a top plan view of a cartridge for a game machine; FIG. 2 is a front elevational view thereof; FIG. 3 is a bottom plan view thereof; FIG. 4 is a rear elevational view thereof; FIG. 5 is a right side view thereof, the left side view being identical thereto; FIG. 6 is a top, front and right side perspective view thereof; and, FIG. 7 is a front, bottom and right side perspective view thereof.

1 Claim, 4 Drawing Sheets

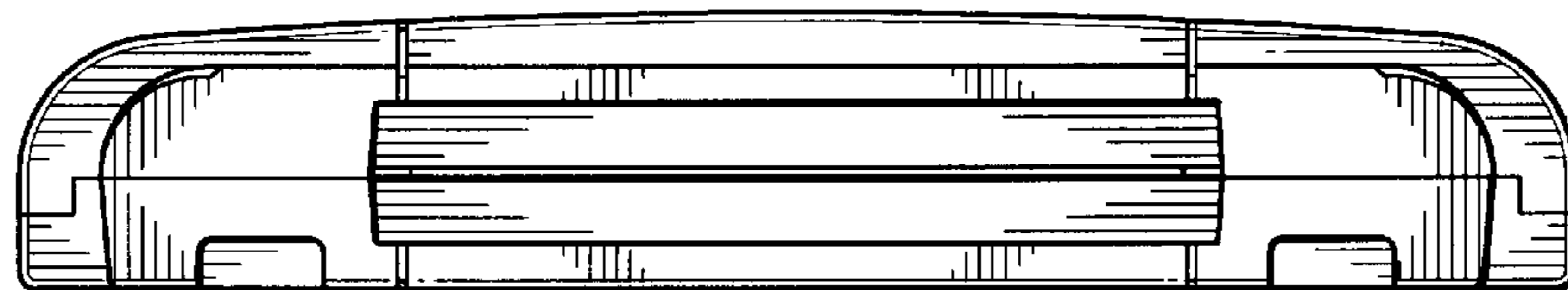




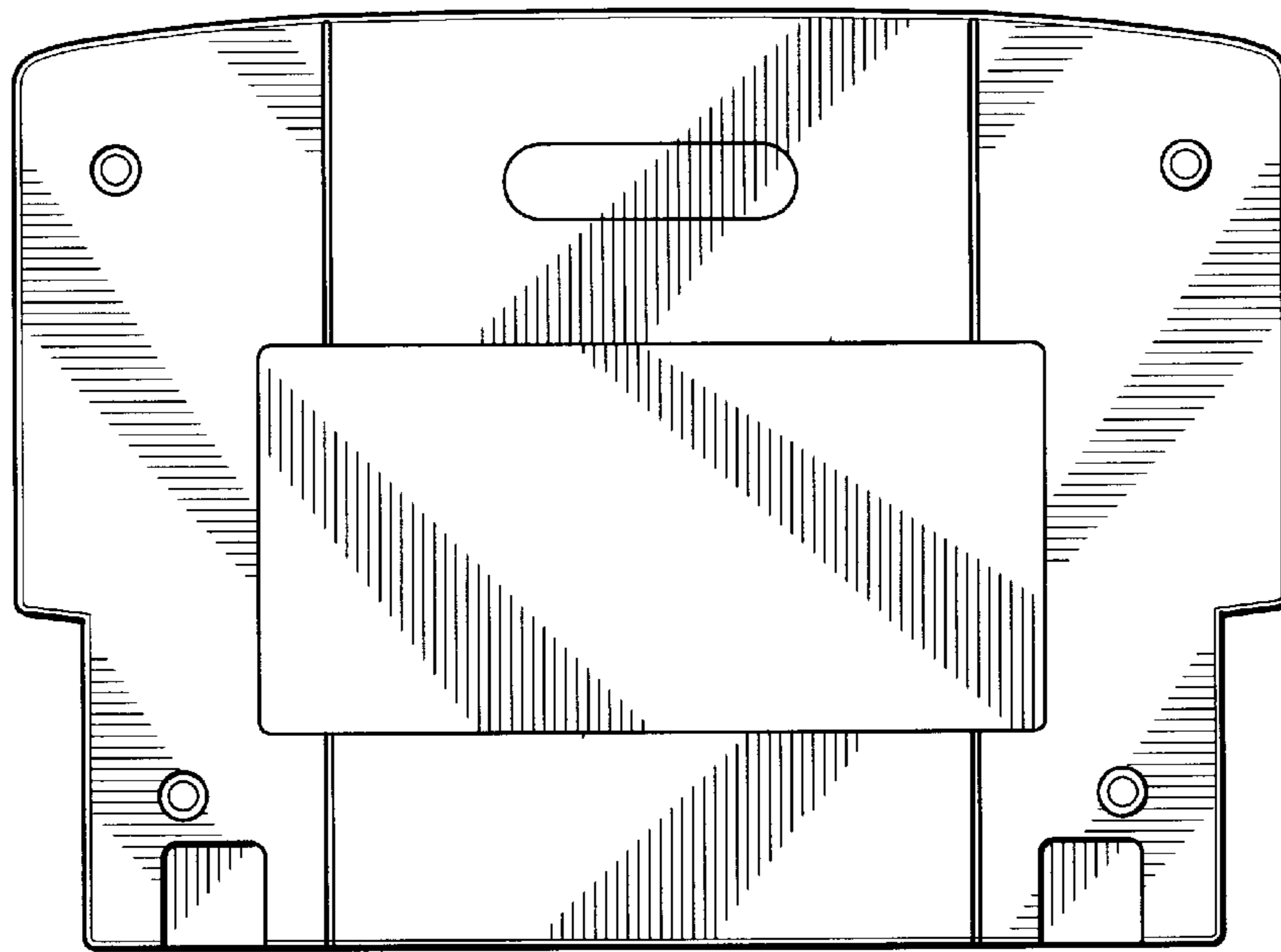
**FIG. 1**



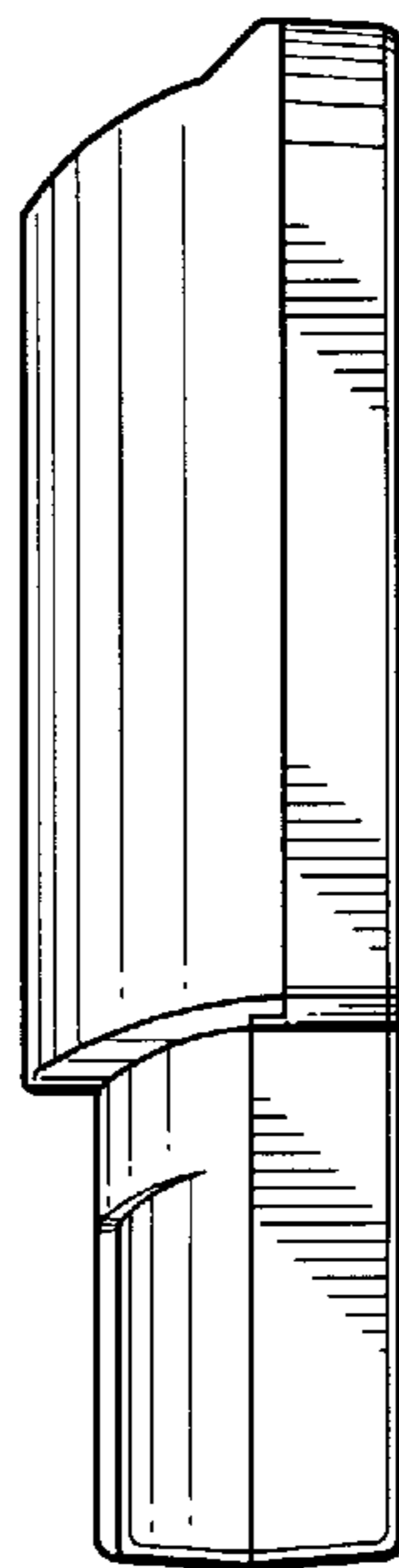
**FIG. 2**



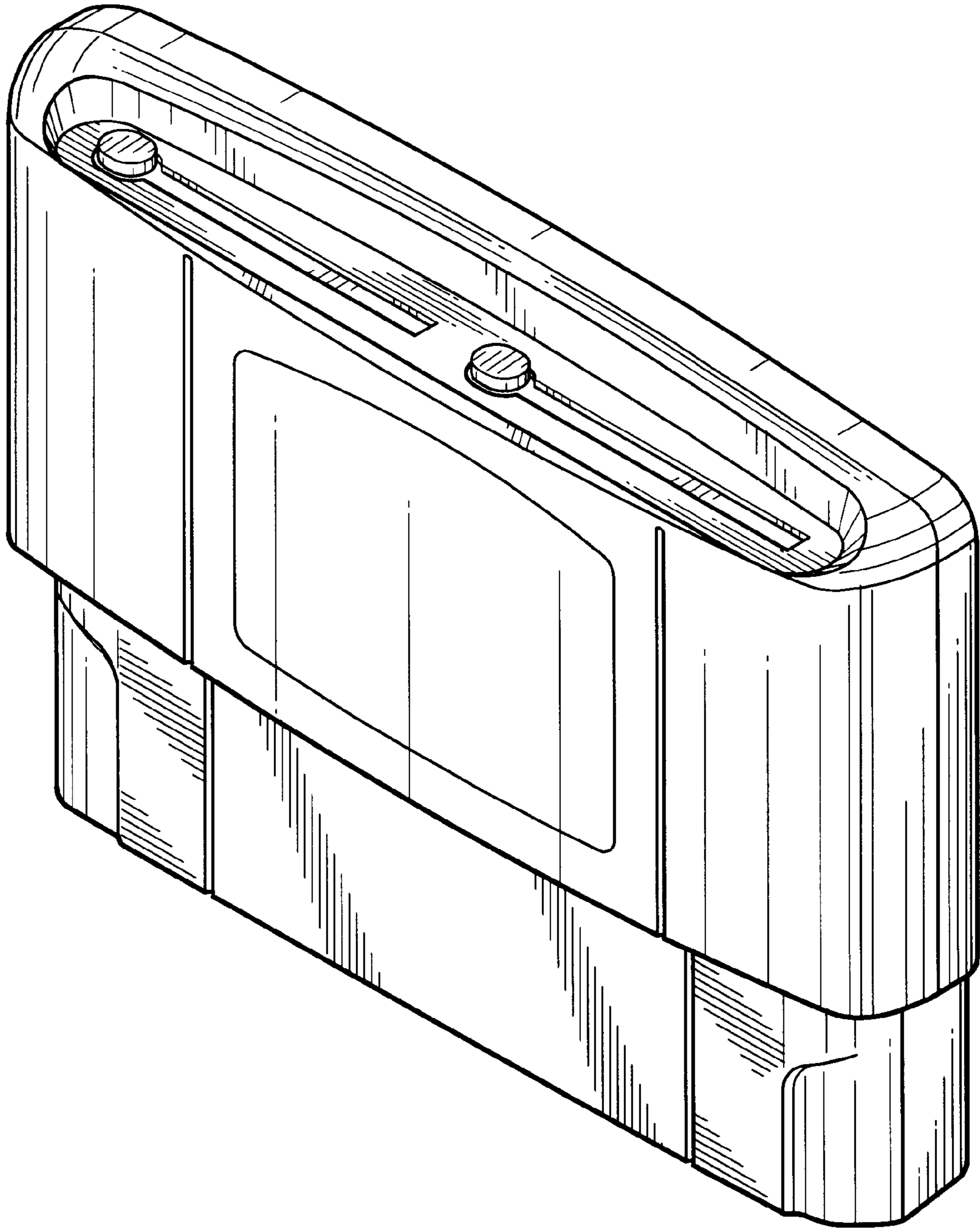
**FIG. 3**



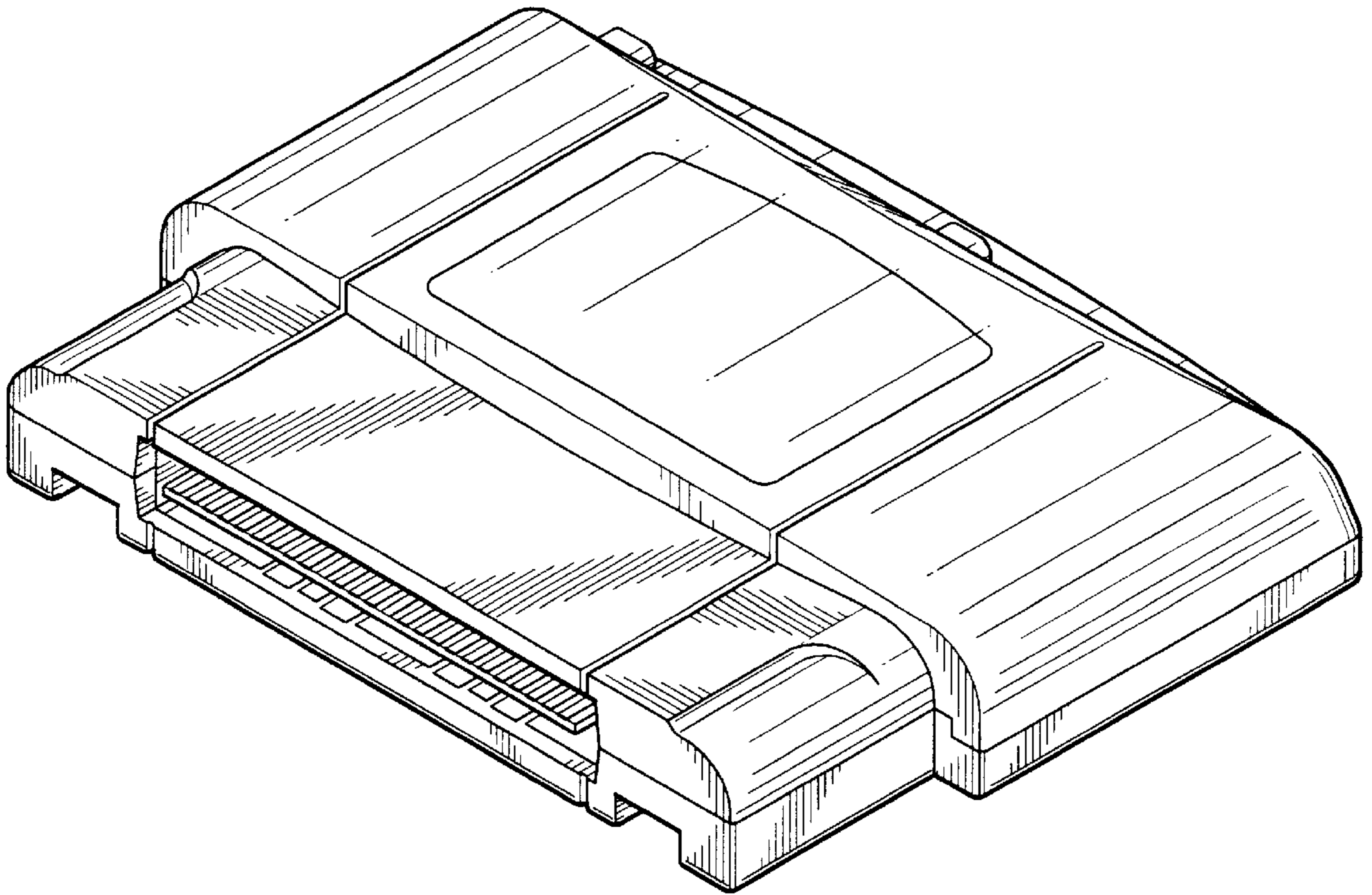
**FIG. 4**



**FIG. 5**



**FIG. 6**



**FIG. 7**