



US00D427244S

# United States Patent [19]

[11] **Patent Number: Des. 427,244**

**Muraki et al.**

[45] **Date of Patent: \*\* Jun. 27, 2000**

[54] **OPERATING APPARATUS FOR GAME MACHINE**

4,606,255	8/1986	Hayashi et al. ....	D17/14 X
5,564,209	10/1996	Zagnoli .....	273/148 B X
5,730,655	3/1998	Meredith .....	273/148 B X
5,893,798	4/1999	Stambolic et al. ....	463/46

[75] Inventors: **Hiroyuki Muraki; Toru Okubo; Tomoya Yamano**, all of Kobe, Japan

### OTHER PUBLICATIONS

[73] Assignee: **Konami Co., Ltd.**, Hyogo-ken, Japan

HongKong Electronics, p. 334, Oct. 1996.

[\*\*] Term: **14 Years**

*Primary Examiner*—Prabhakar Deshmukh  
*Attorney, Agent, or Firm*—Jordan and Hamburg LLP

[21] Appl. No.: **29/109,489**

### [57] CLAIM

[22] Filed: **Aug. 16, 1999**

The ornamental design for operating apparatus for game machine, as shown and described.

### [30] Foreign Application Priority Data

### DESCRIPTION

Apr. 16, 1999 [JP] Japan ..... 11-10060

[51] **LOC (7) Cl.** ..... **21-01**

FIG. 1 is a perspective view of operating apparatus for game machine;

[52] **U.S. Cl.** ..... **D21/324; D17/14**

FIG. 2 is a front view thereof;

[58] **Field of Search** ..... D21/324, 328, D21/333; 463/1, 30-37, 46, 47; 273/148 B; D14/496; D17/14

FIG. 3 is a left side view thereof;

FIG. 4 is a right view thereof;

FIG. 5 is a rear view thereof;

FIG. 6 is a top view thereof; and,

FIG. 7 is a bottom view thereof.

The cable connector indicates indeterminate length.

### [56] References Cited

#### U.S. PATENT DOCUMENTS

D. 350,557	9/1994	Woods .....	D17/14
D. 393,014	3/1998	Ho et al. ....	D21/324
D. 407,761	4/1999	Barr .....	D21/329

**1 Claim, 3 Drawing Sheets**

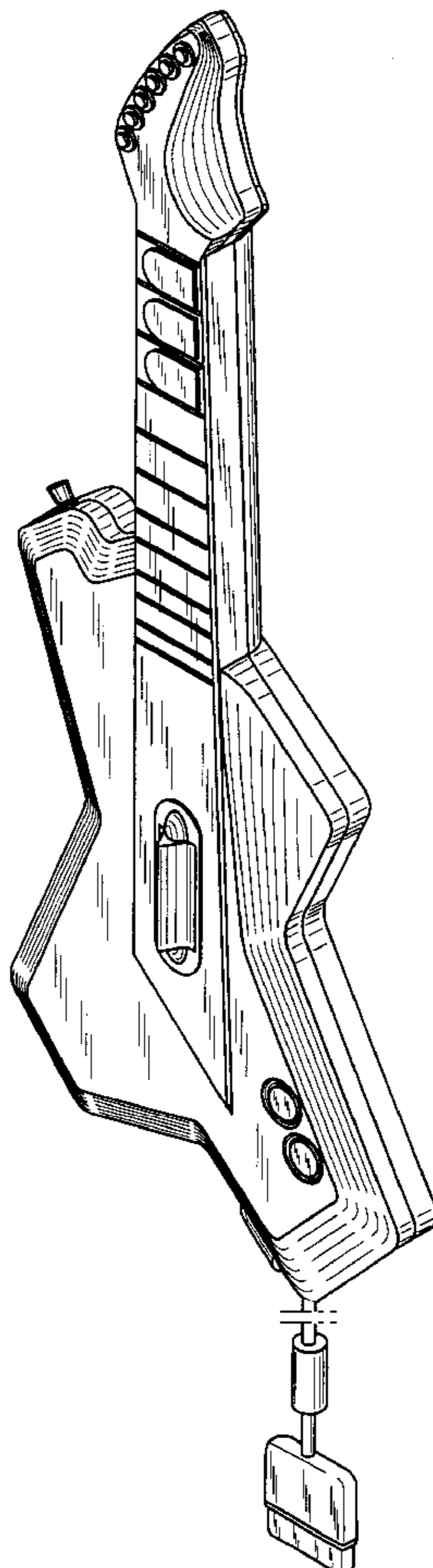


FIG. 1

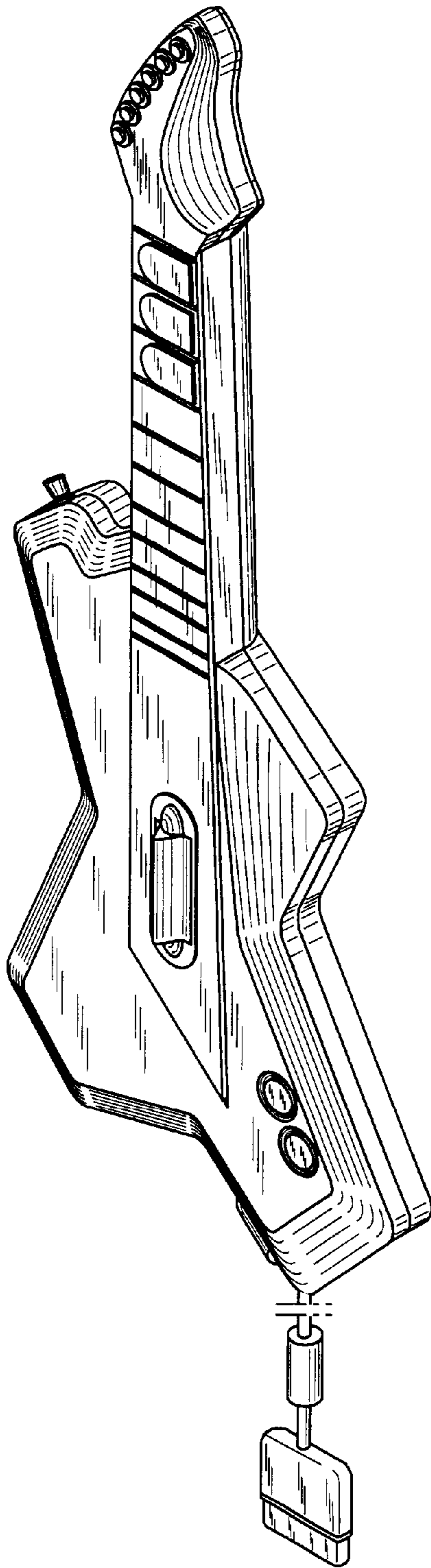


FIG. 3

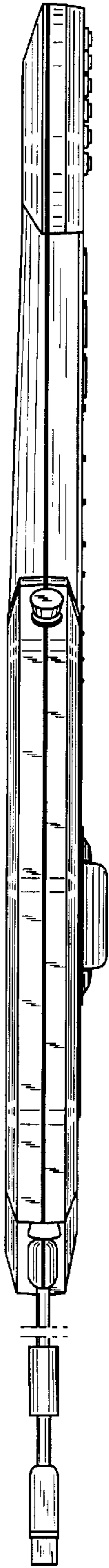


FIG. 2

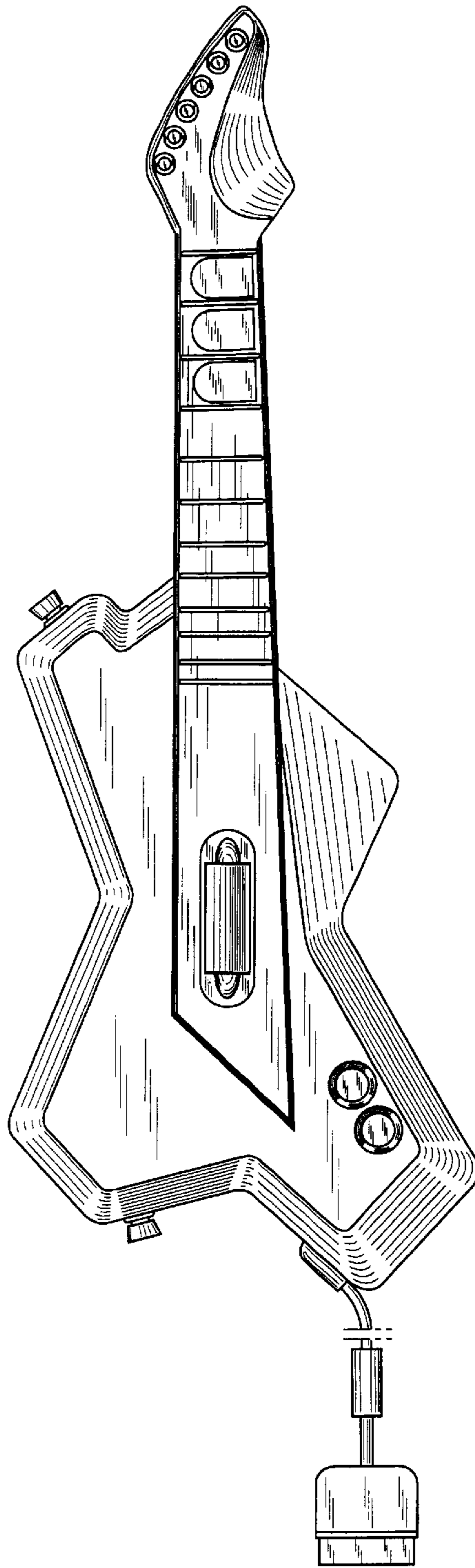


FIG. 4



FIG. 5

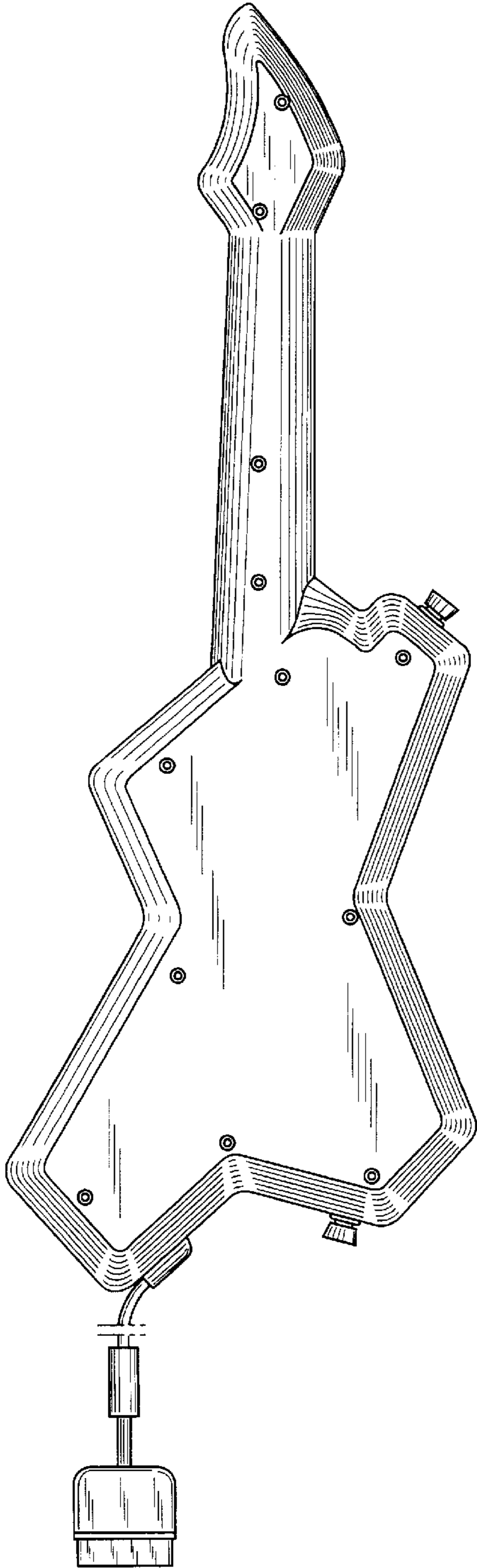


FIG. 6



FIG. 7

