



US00D427239S

United States Patent [19]

Senda

[11] Patent Number: **Des. 427,239**

[45] Date of Patent: **** Jun. 27, 2000**

[54] MARKING INSTRUMENT

3,234,916 2/1966 Fassbender 401/116

[76] Inventor: **Hitonari Senda**, 16-4, Doshin 2-chome, Kita-ku, Osaka-shi, Osaka 530-0035, Japan

Primary Examiner—Martie K. Holtje
Attorney, Agent, or Firm—Wood, Phillips, VanSanten, Clark & Mortimer

[**] Term: **14 Years**

[57] CLAIM

[21] Appl. No.: **29/111,447**

The ornamental design for a marking instrument, as shown and described.

[22] Filed: **Sep. 28, 1999**

DESCRIPTION

[30] Foreign Application Priority Data

Apr. 14, 1999 [JP] Japan 11-9878

[51] LOC (7) Cl. **19-06**

[52] U.S. Cl. **D19/43; D19/51; D19/56; D19/57**

[58] Field of Search D19/35, 36, 41-51, D19/53-58, 81-85; 401/196, 198, 202, 243-247, 261, 262, 116

FIG. 1 is a front side, and bottom perspective view of my design for a marking instrument, consisting of a barrel and a cover, with the cover in place on the barrel;
FIG. 2 is a side elevational view thereof from the same side as in FIG. 1 and with the cover in place on the barrel;
FIG. 3 is a front elevational view thereof with the cover in place on the barrel;
FIG. 4 is a rear elevational view thereof with the cover in place on the barrel;
FIG. 5 is a bottom plan view thereof with the cover in place on the barrel;
FIG. 6 is a top plan view thereof with the cover in place on the barrel;
FIG. 7 is a side elevational view thereof with the cover removed; and,
FIG. 8 is an end elevation view thereof corresponding to that in FIG. 6 and with the cover removed.
The end portions of the barrel and cover have been shaded to indicate color contrast.

[56] References Cited

U.S. PATENT DOCUMENTS

- D. 223,307 4/1972 Nockolds D19/51
- D. 275,297 8/1984 Ohyabu D19/49
- D. 277,393 1/1985 Oyabu D19/51
- D. 279,383 6/1985 Hillebrand et al. D19/51
- D. 329,661 9/1992 Kimura D19/53
- D. 330,079 10/1992 Dalling et al. D24/112
- 1,728,473 9/1929 Brosius D19/51 X
- 3,074,380 1/1963 Polishuk 401/141

1 Claim, 3 Drawing Sheets

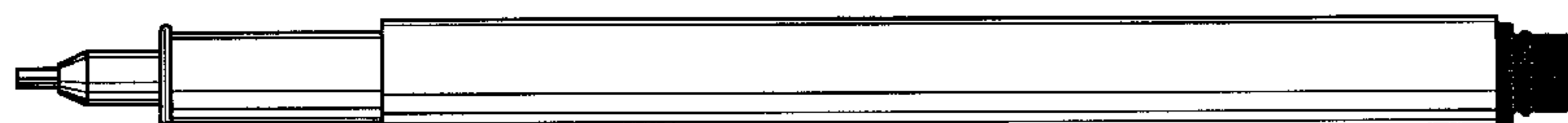
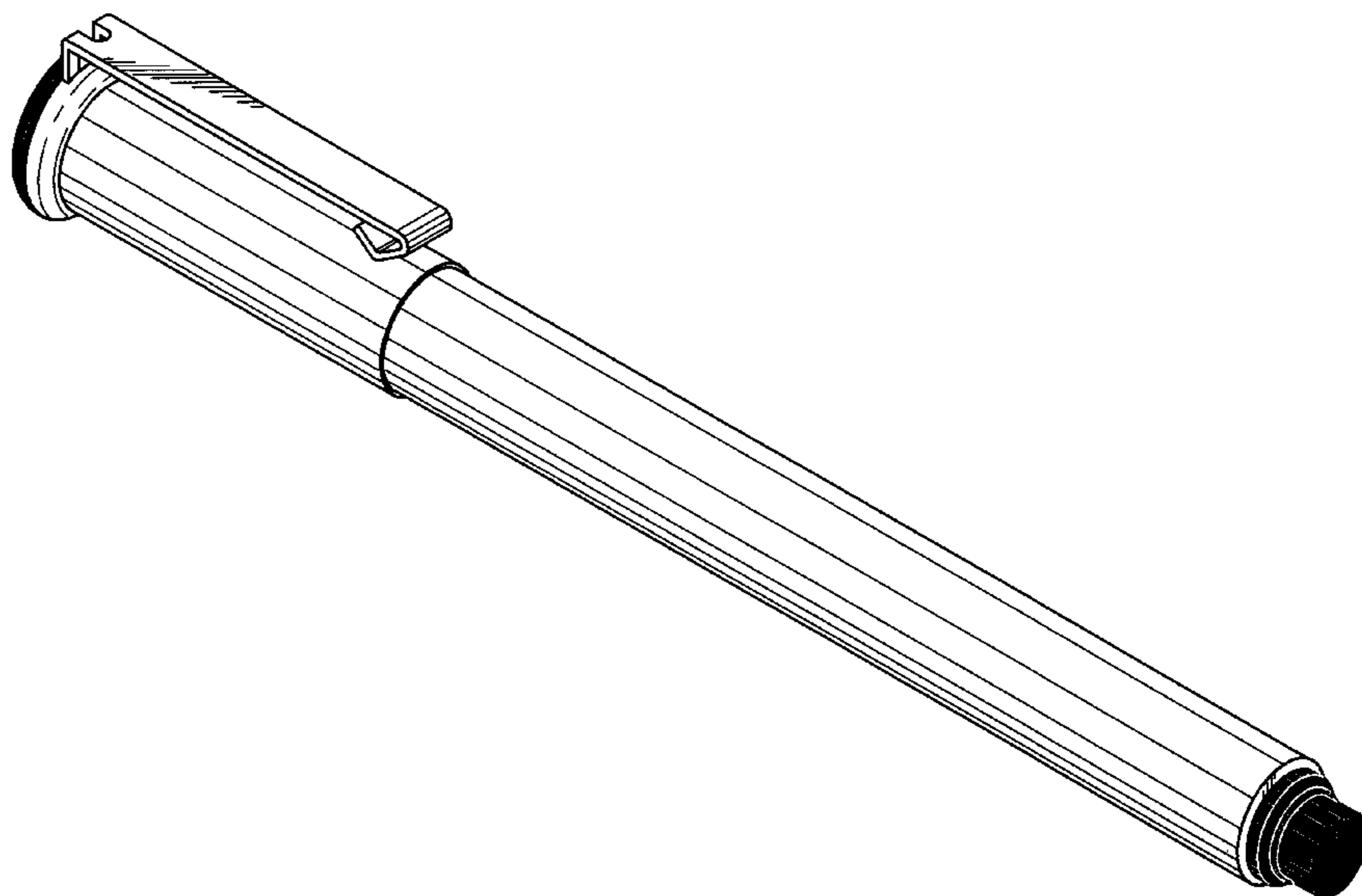


Fig. 1

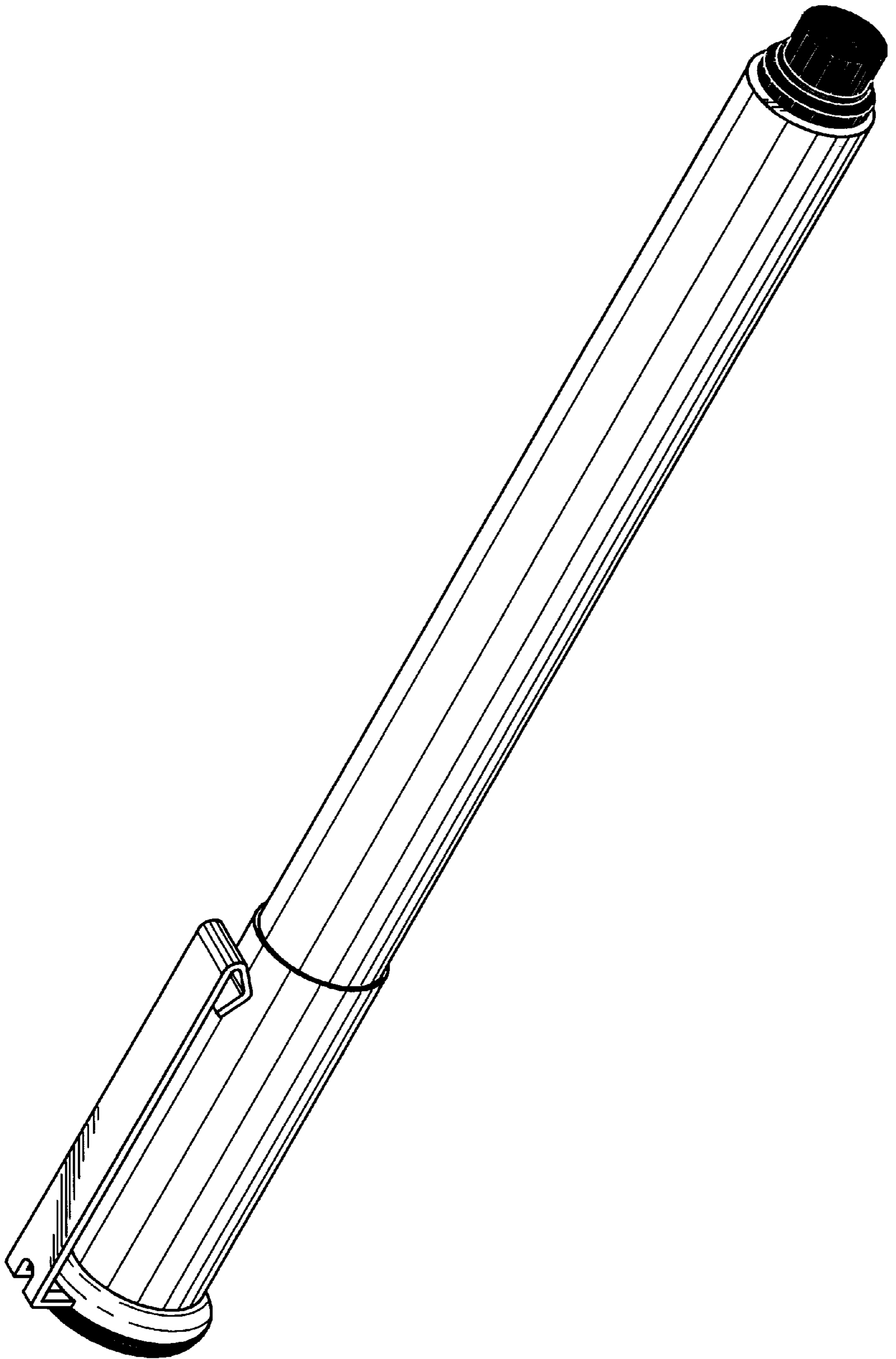


Fig. 2

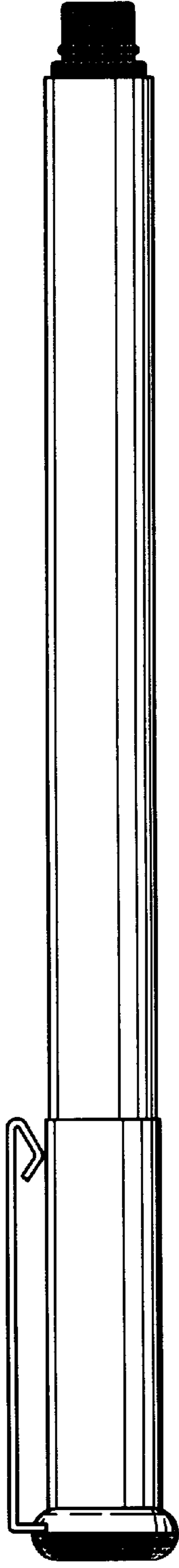


Fig. 3

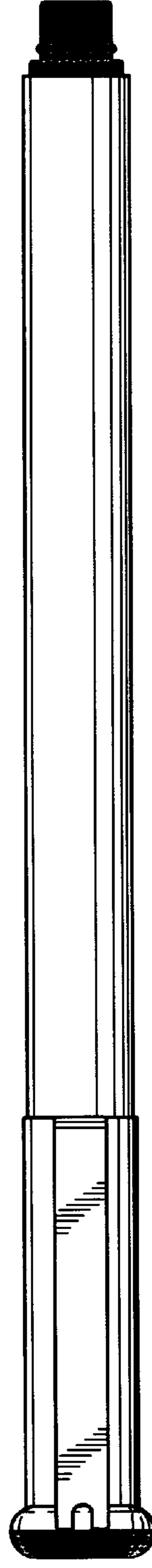


Fig. 4

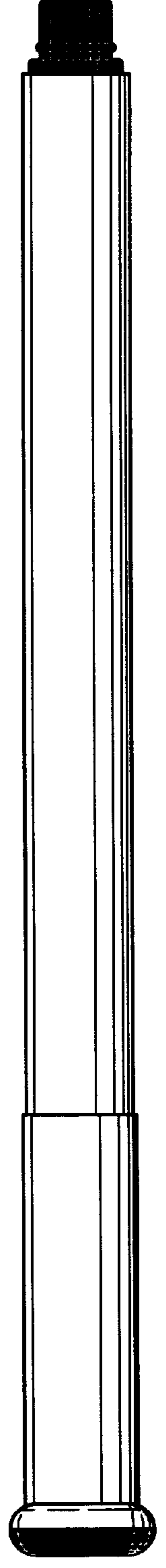


Fig. 5

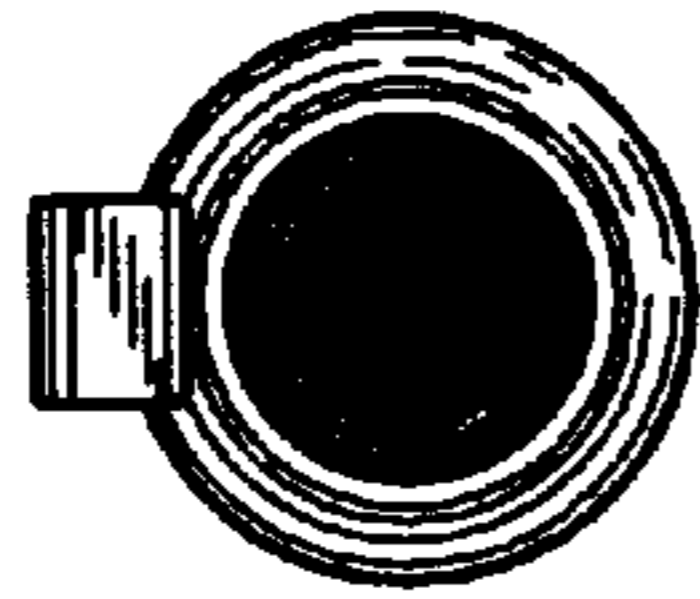


Fig. 6



Fig. 8

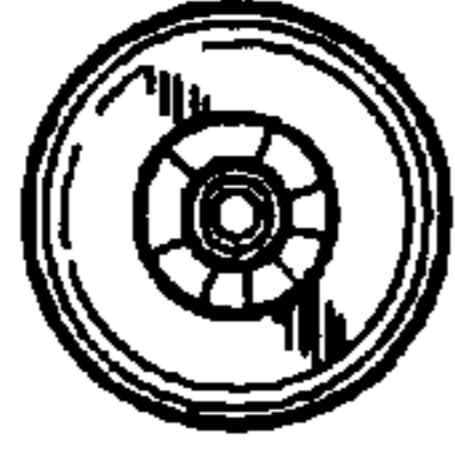


Fig. 7

