



US00D427231S

United States Patent [19] Ono

[11] Patent Number: Des. 427,231

[45] Date of Patent: ** Jun. 27, 2000

[54] POINT OF SALES TERMINAL

[75] Inventor: Yasuhiro Ono, Kanagawa, Japan

[73] Assignee: Toshiba Tec Kabushiki Kaisha, Tokyo, Japan

[**] Term: 14 Years

[21] Appl. No.: 29/103,069

[22] Filed: Apr. 5, 1999

[30] Foreign Application Priority Data

Oct. 6, 1998	[JP]	Japan	10-28651
Oct. 6, 1998	[JP]	Japan	10-28652

[51] LOC (7) Cl. 18-01

[52] U.S. Cl. D18/4

[58] Field of Search D18/4, 6, 7, 11, D18/41; D14/100, 105, 106, 113, 114, 115; 235/1 D, 1 E, 2, 4, 7 R, 10, 145, 375, 380, 419; 364/404, 405

[56] References Cited

U.S. PATENT DOCUMENTS

D. 306,015	2/1990	Pulio, Jr. et al.	D14/105
D. 362,427	9/1995	Mizusugi et al.	D14/105
D. 385,904	11/1997	Kim	D18/4

Primary Examiner—Caron D. Veynar
Attorney, Agent, or Firm—Oblon, Spivak, McClelland, Maier & Neustadt, P.C.

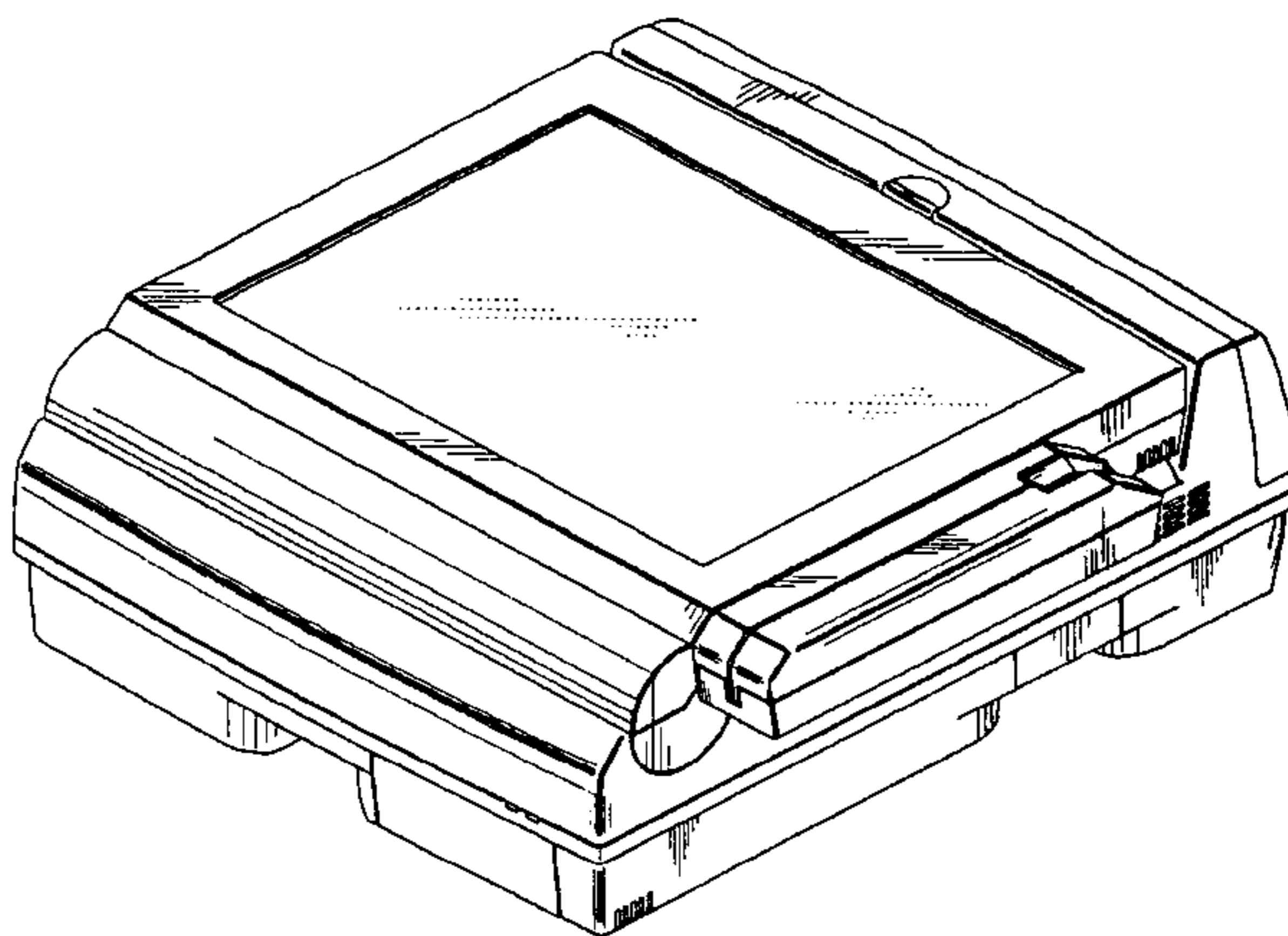
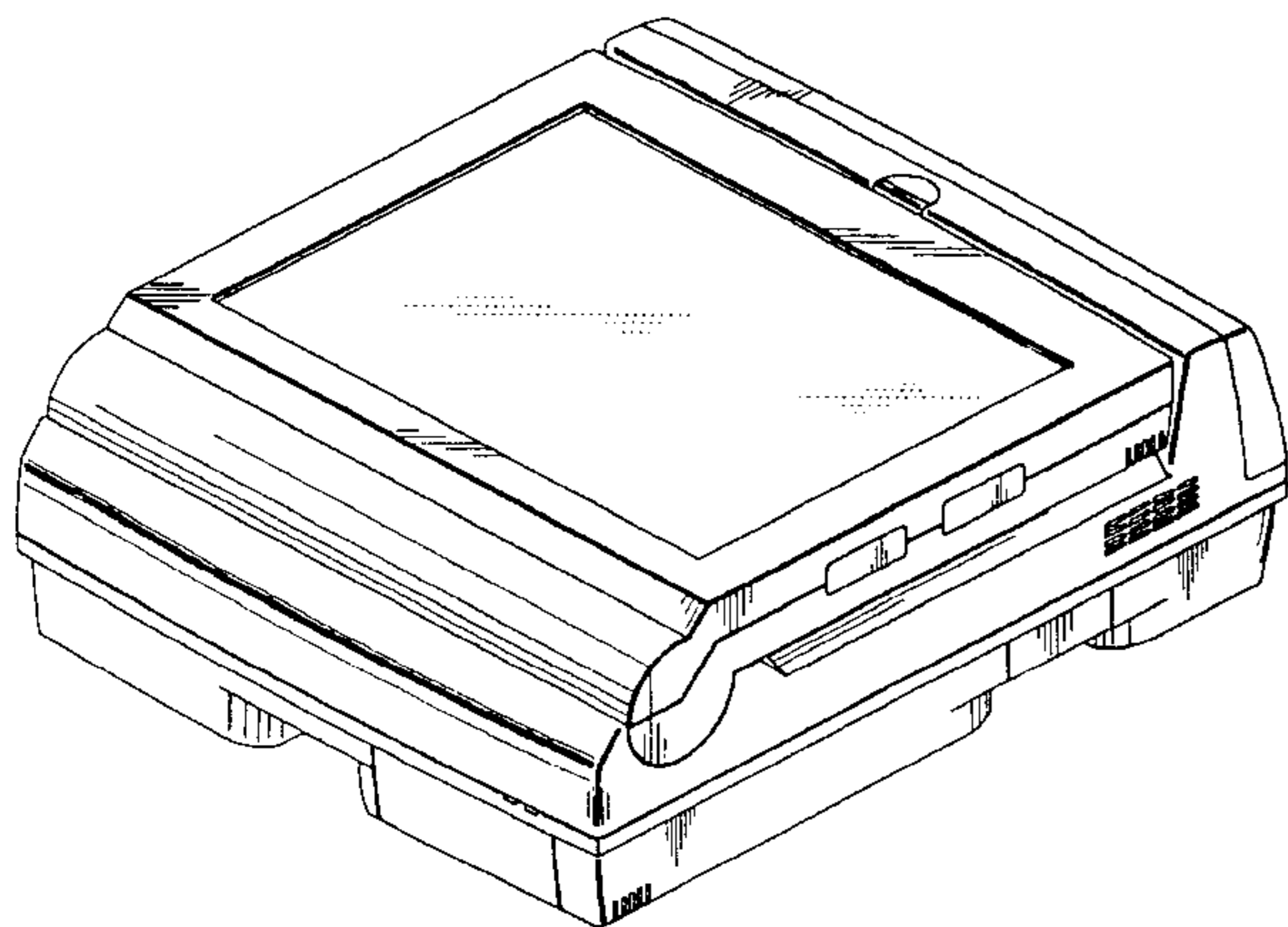
[57] CLAIM

The ornamental design for point of sales terminal, as shown and described.

DESCRIPTION

FIG. 1 is a top, right and front perspective view of point of sales terminal, showing my design;
 FIG. 2 is a top, right and front perspective view in use thereof;
 FIG. 3 is a front elevational view thereof;
 FIG. 4 is a rear elevational view thereof;
 FIG. 5 is a top plan view thereof;
 FIG. 6 is a bottom view thereof;
 FIG. 7 is a left side elevational view thereof;
 FIG. 8 is a right side elevational view thereof;
 FIG. 9 is a cross section view taken along line 9—9 in FIG. 5;
 FIG. 10 is a top, right and front perspective view of a second embodiment of the point of sales terminal, showing my design;
 FIG. 11 is a top, right and front perspective view in use thereof;
 FIG. 12 is a front elevational view thereof;
 FIG. 13 is a rear elevational view thereof;
 FIG. 14 is a top plan view thereof;
 FIG. 15 is a bottom view thereof;
 FIG. 16 is a left side elevational view thereof;
 FIG. 17 is a right side elevational view thereof; and,
 FIG. 18 is a cross section view taken along line 18—18 in FIG. 14.

1 Claim, 8 Drawing Sheets



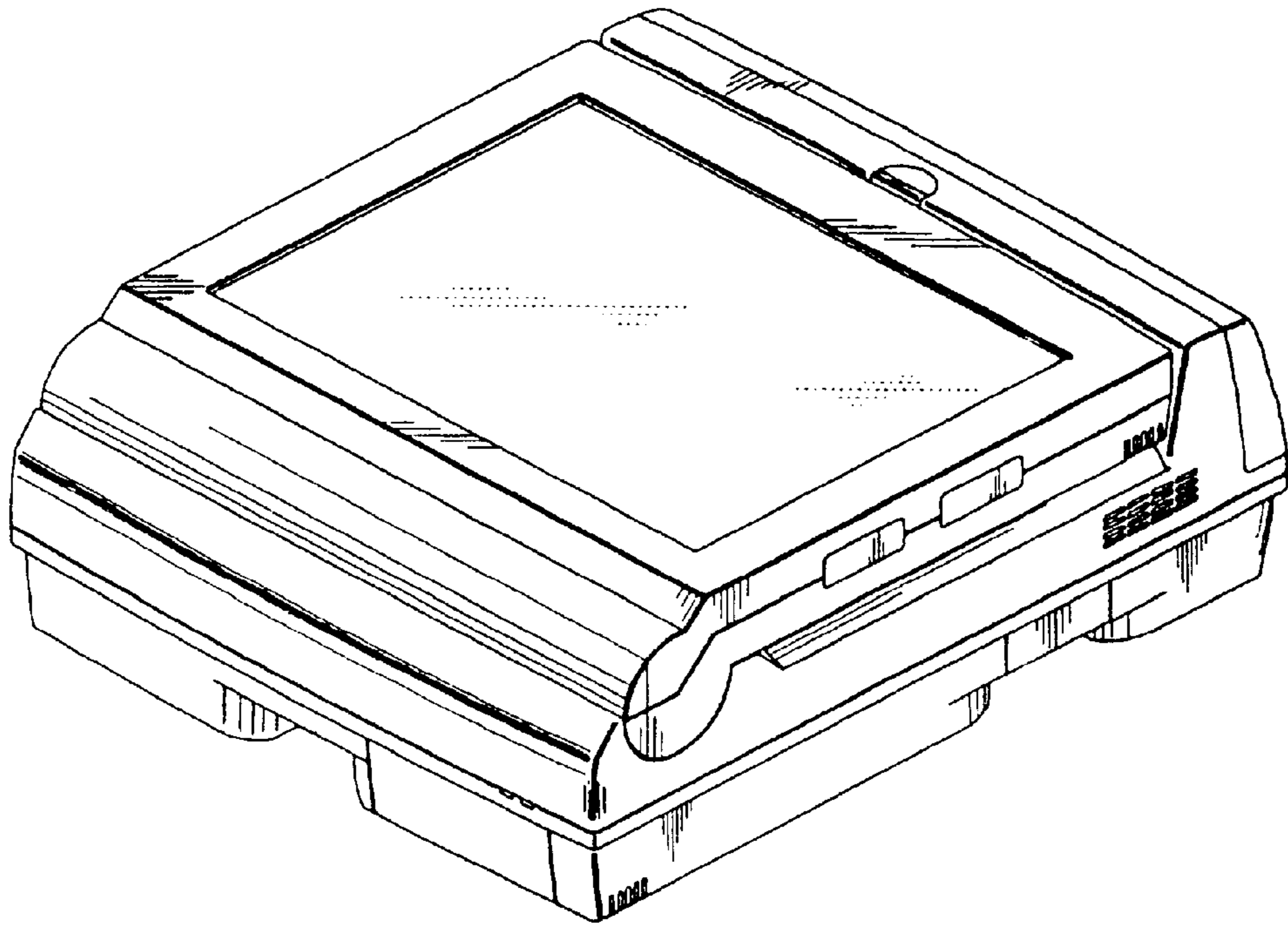


FIG. 1

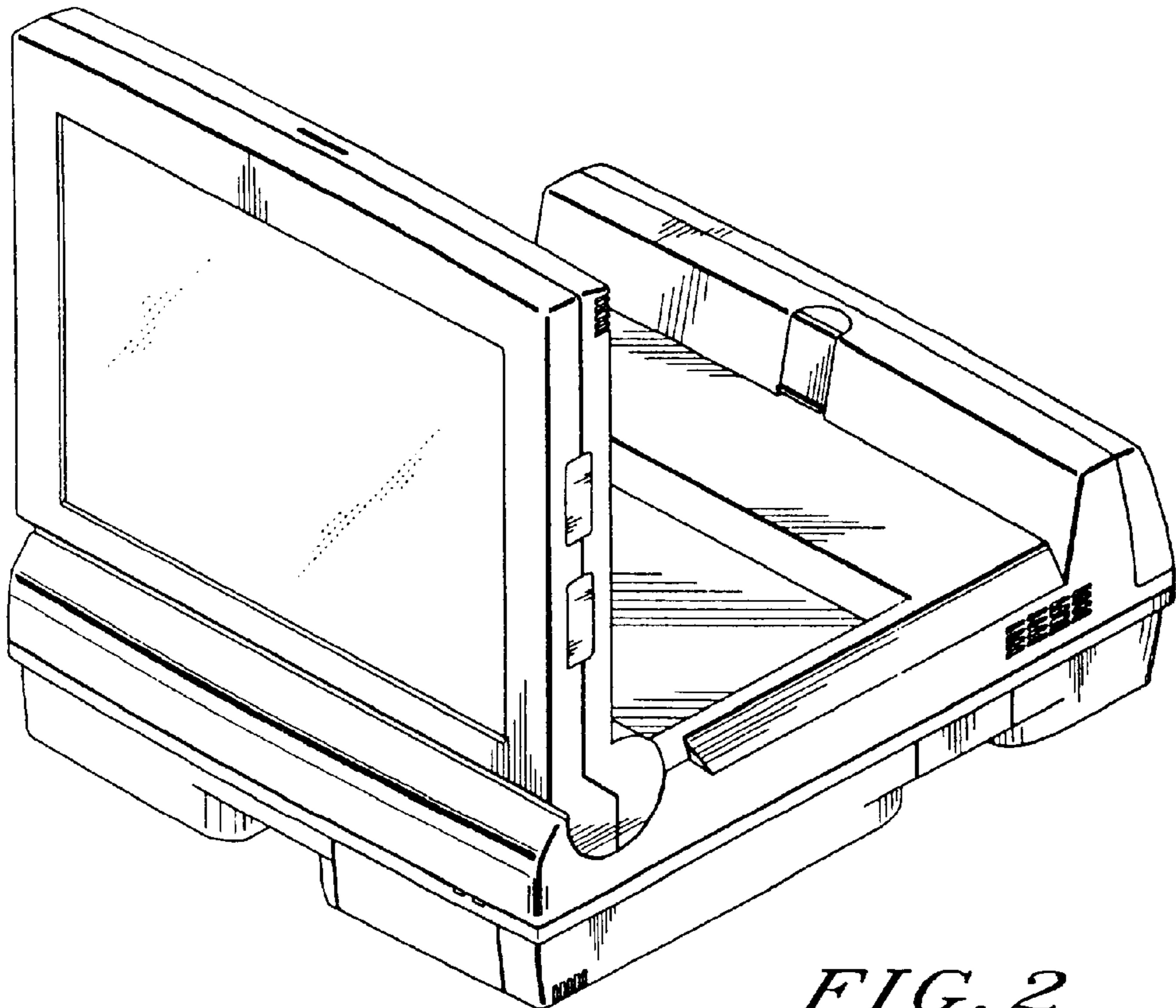


FIG. 2

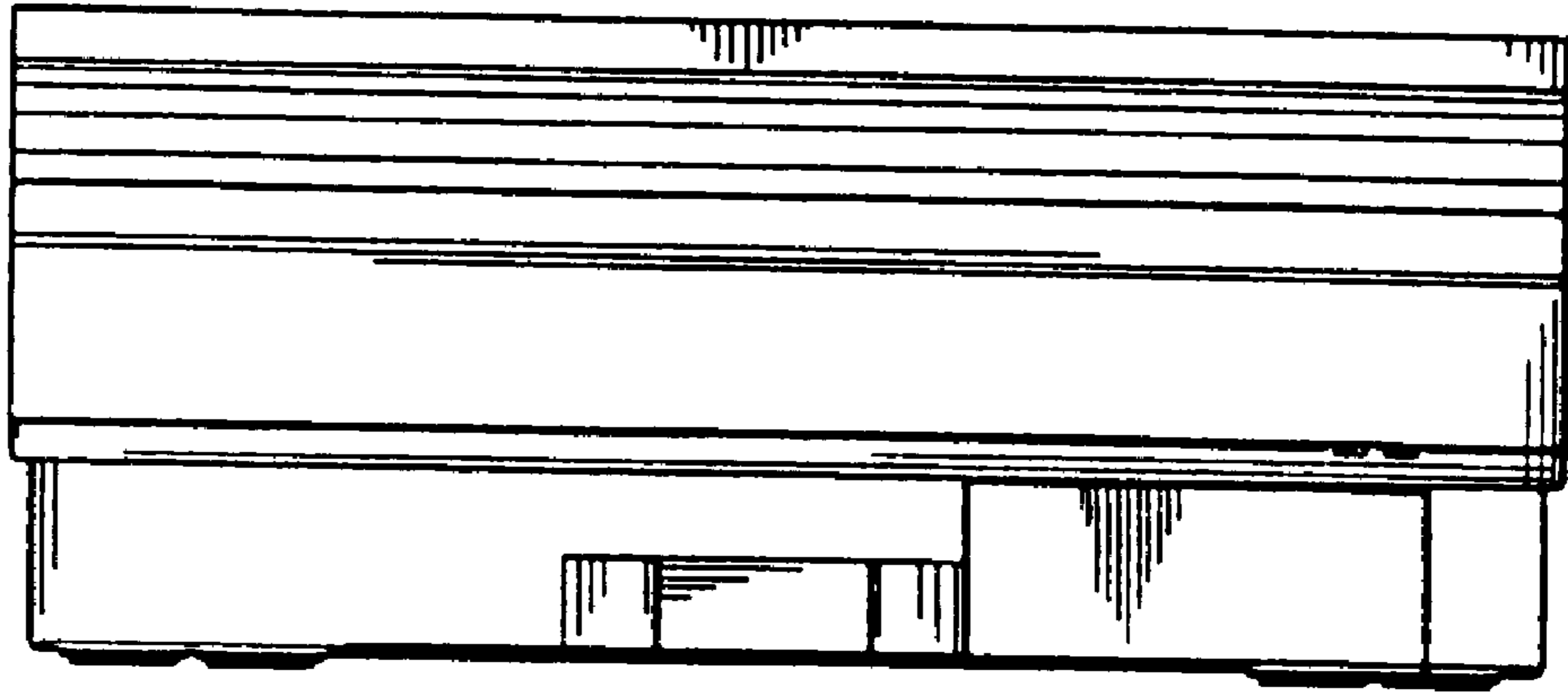


FIG. 3

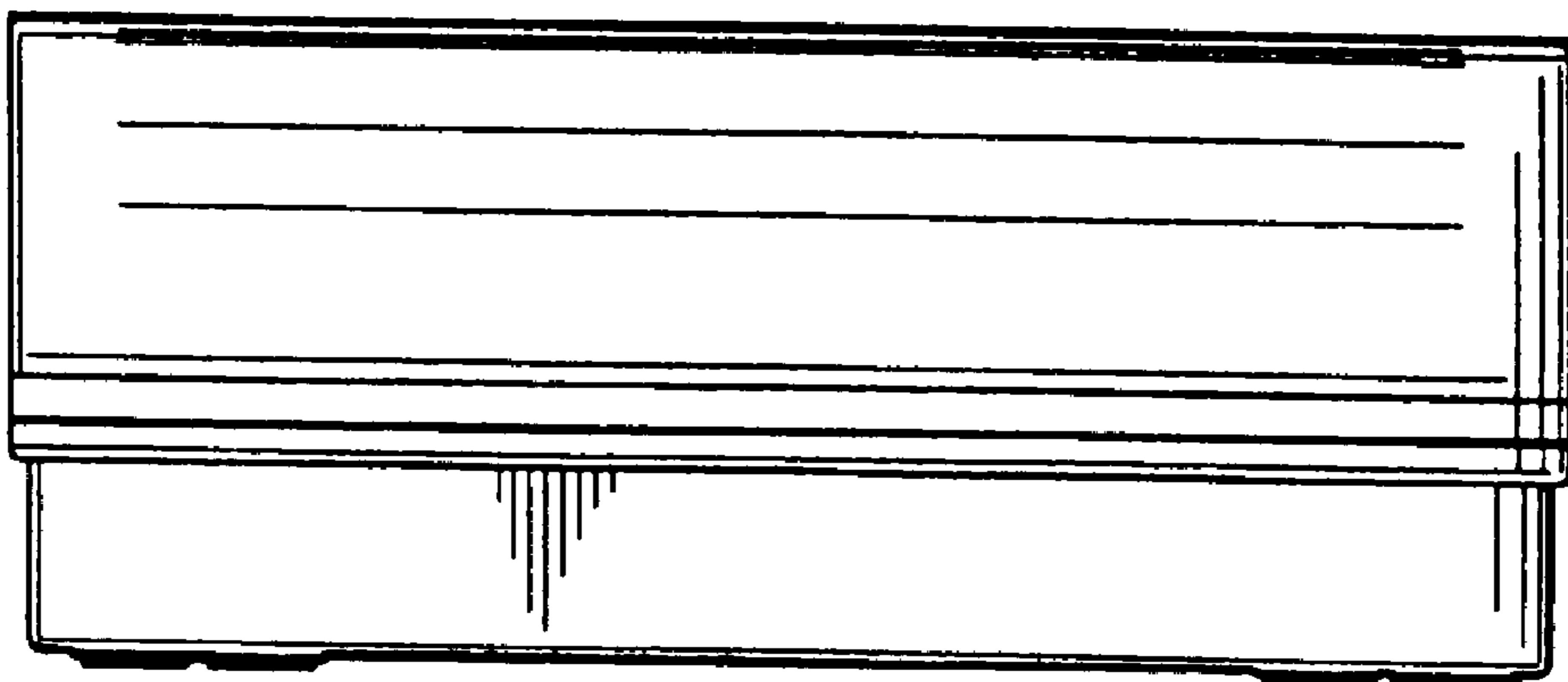


FIG. 4

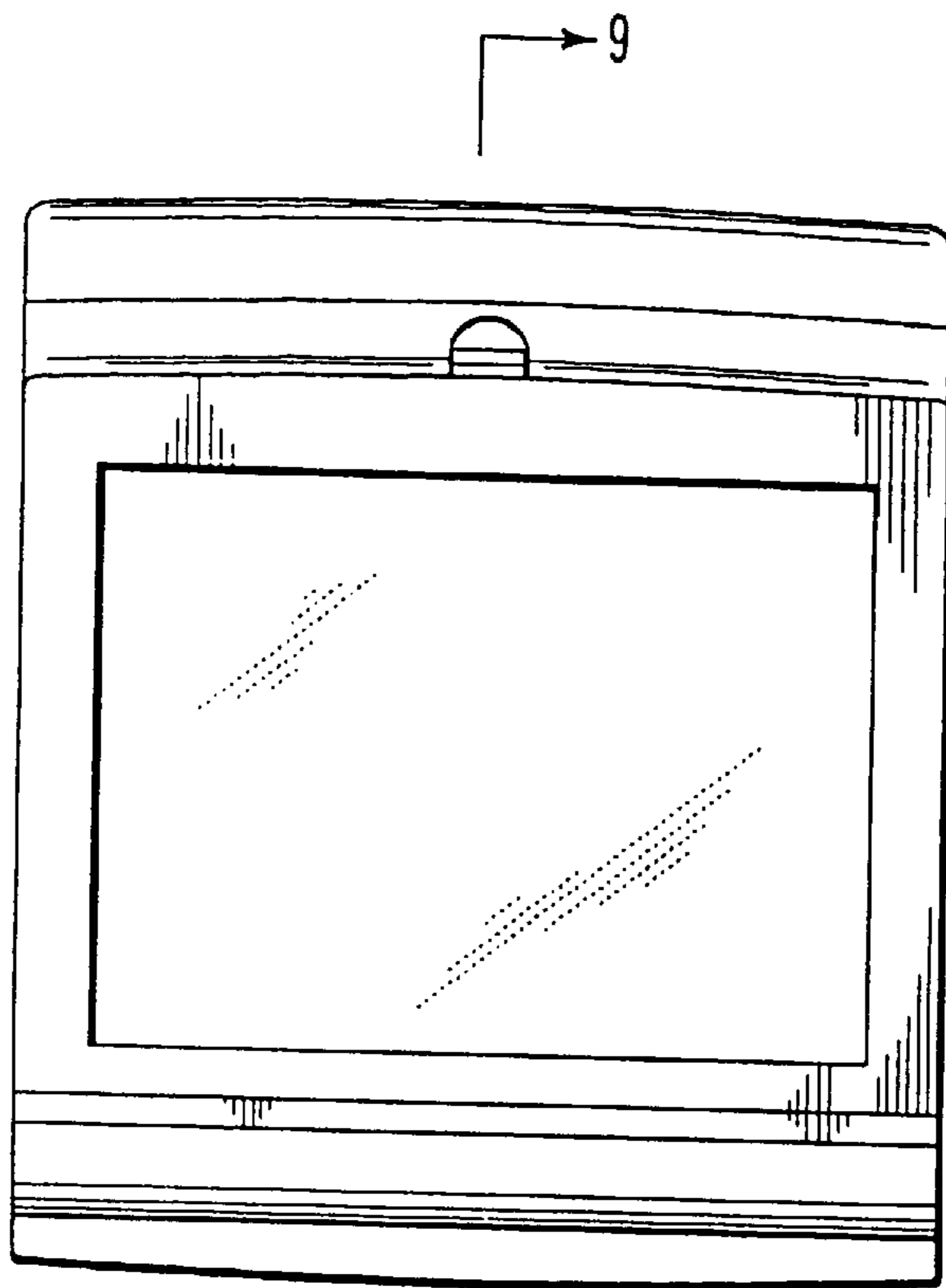


FIG. 5

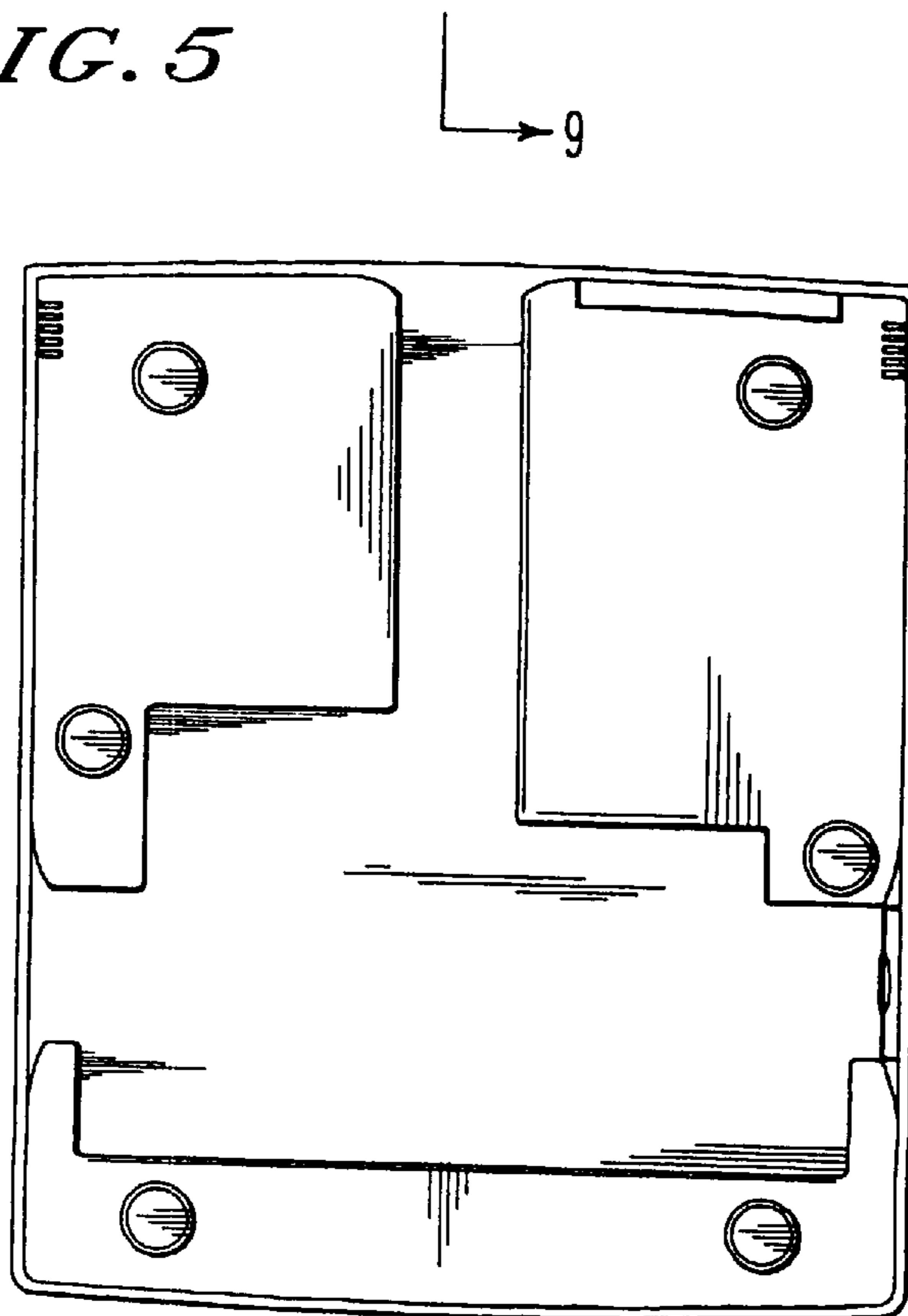


FIG. 6

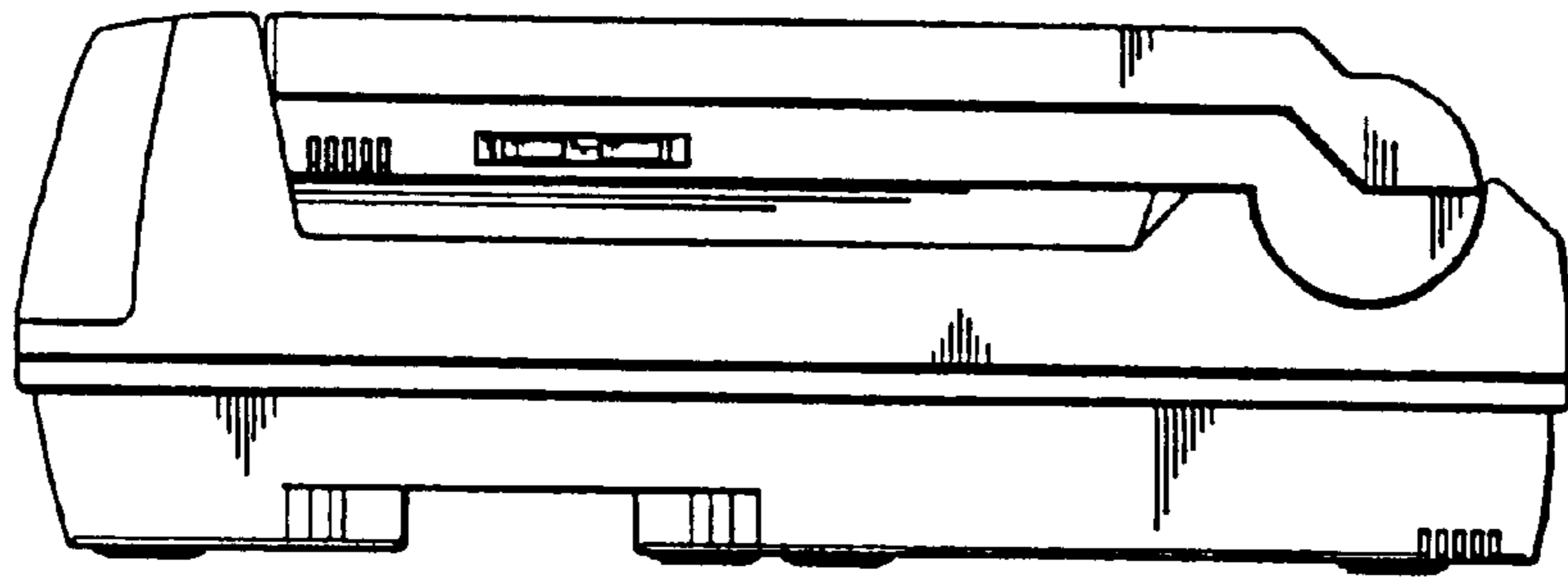


FIG. 7

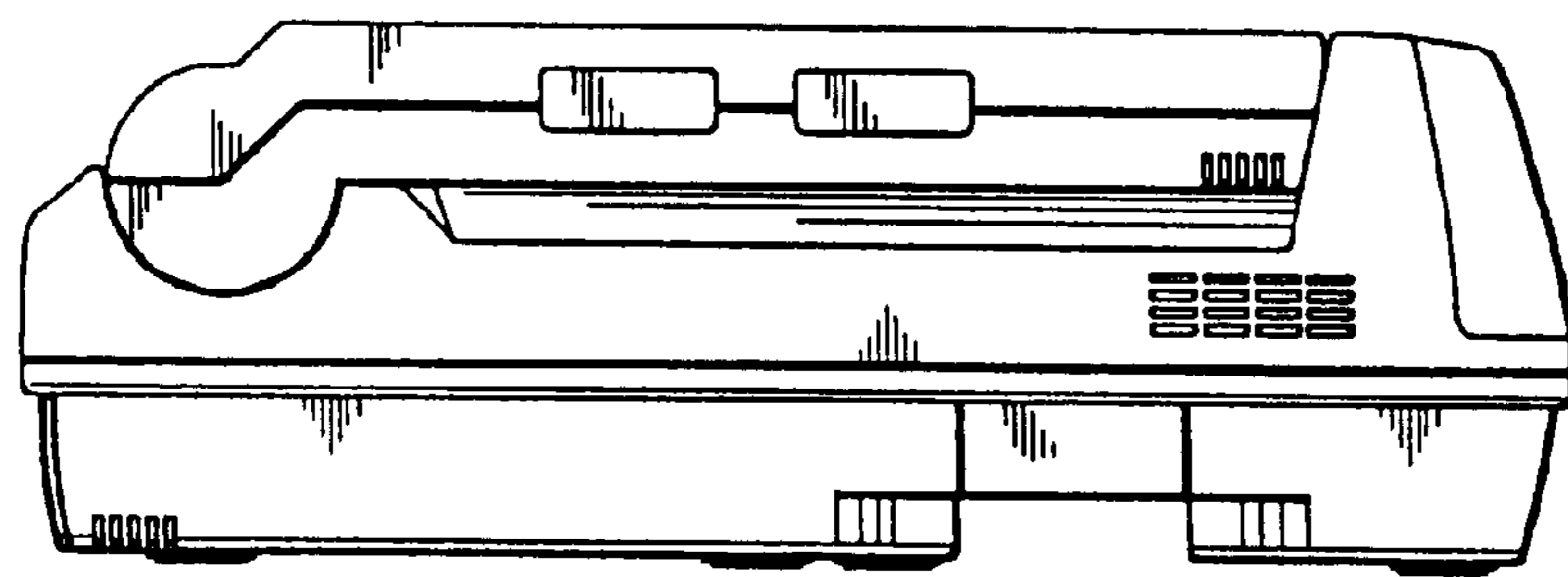


FIG. 8

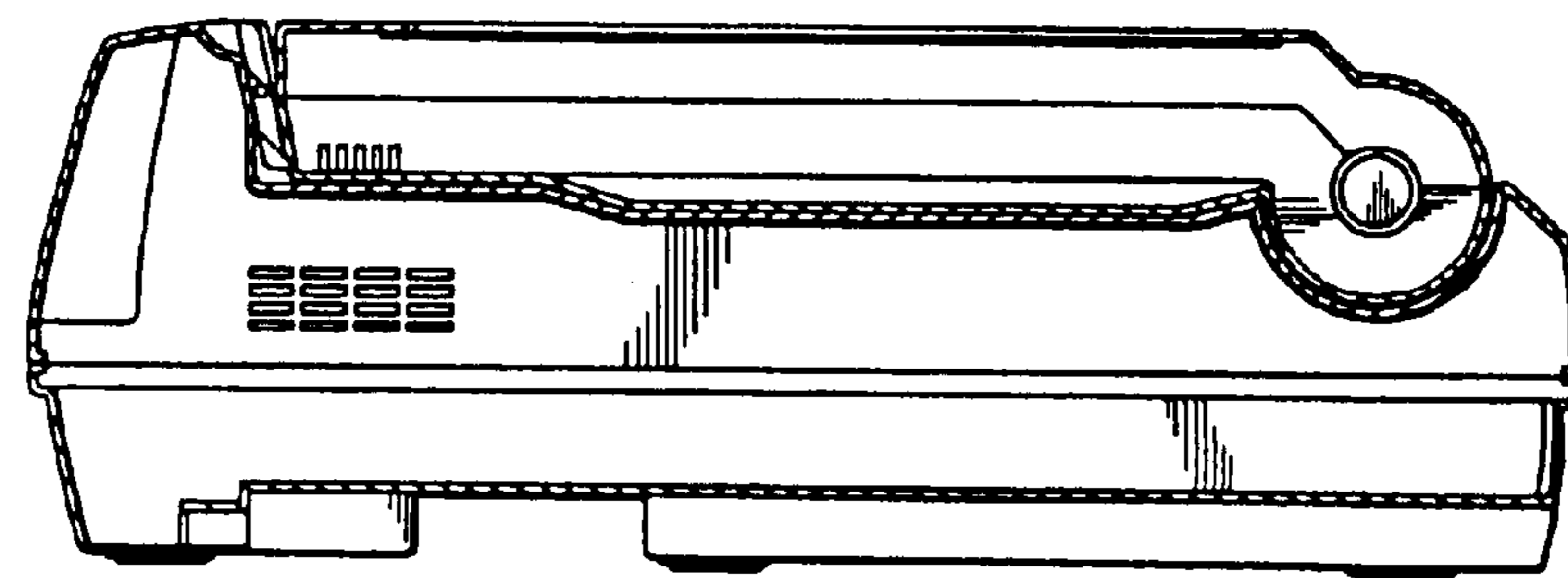


FIG. 9

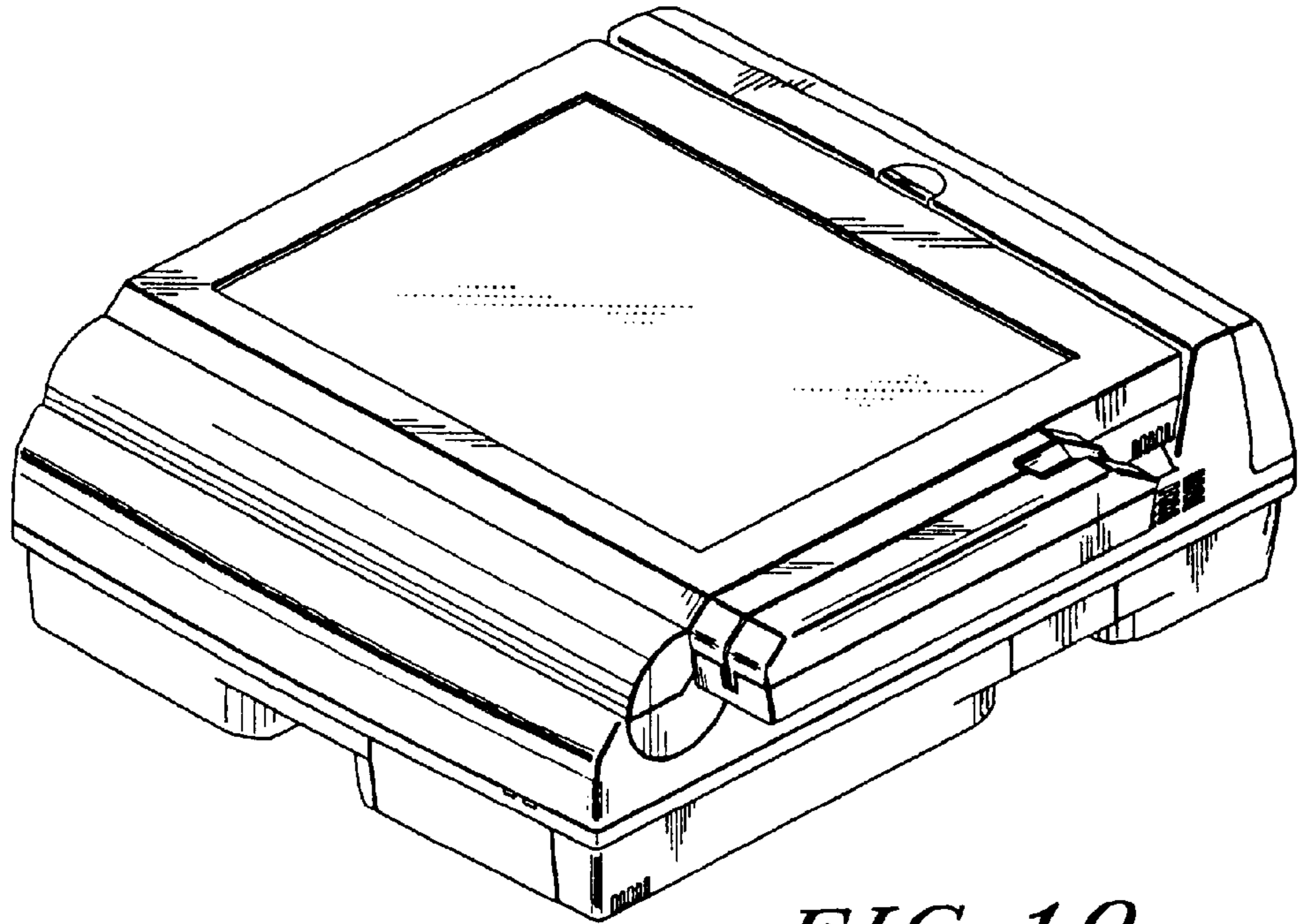


FIG. 10

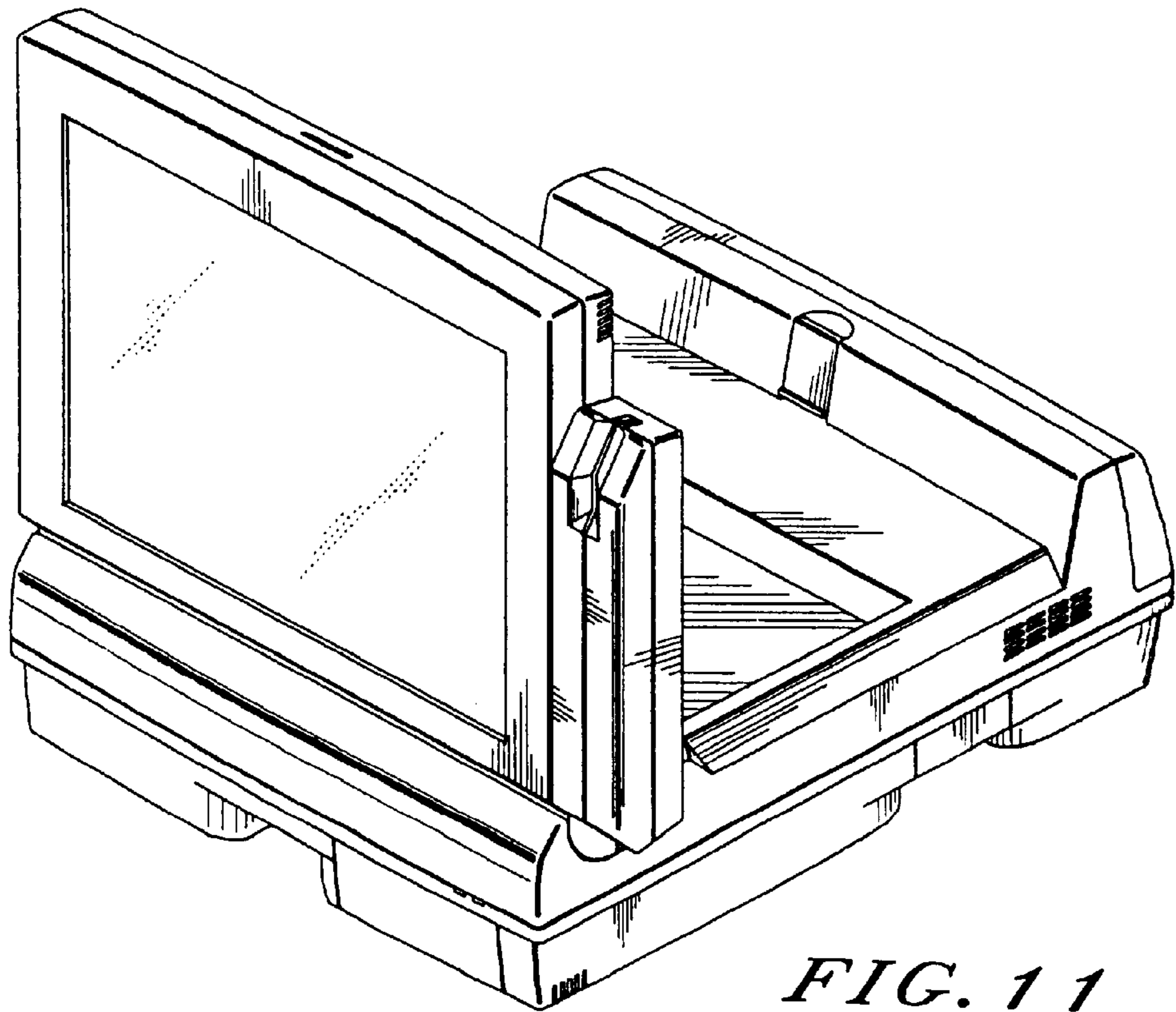


FIG. 11

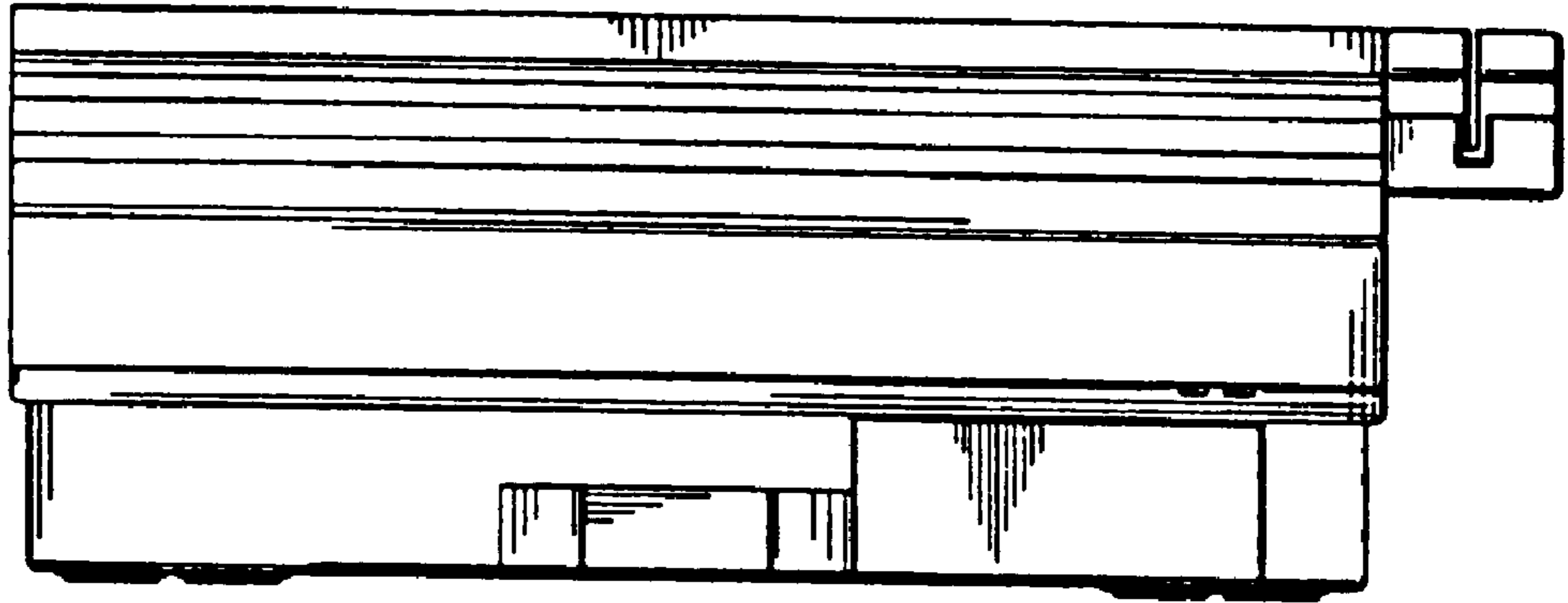


FIG. 12

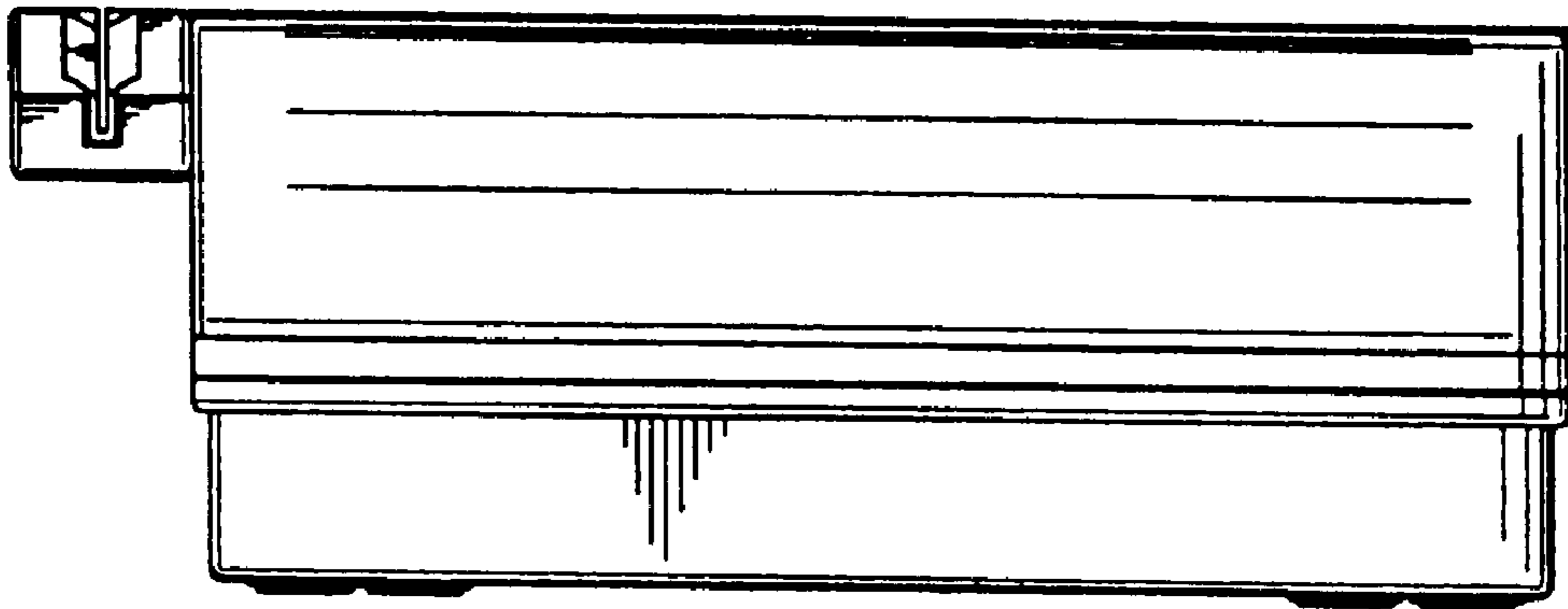


FIG. 13

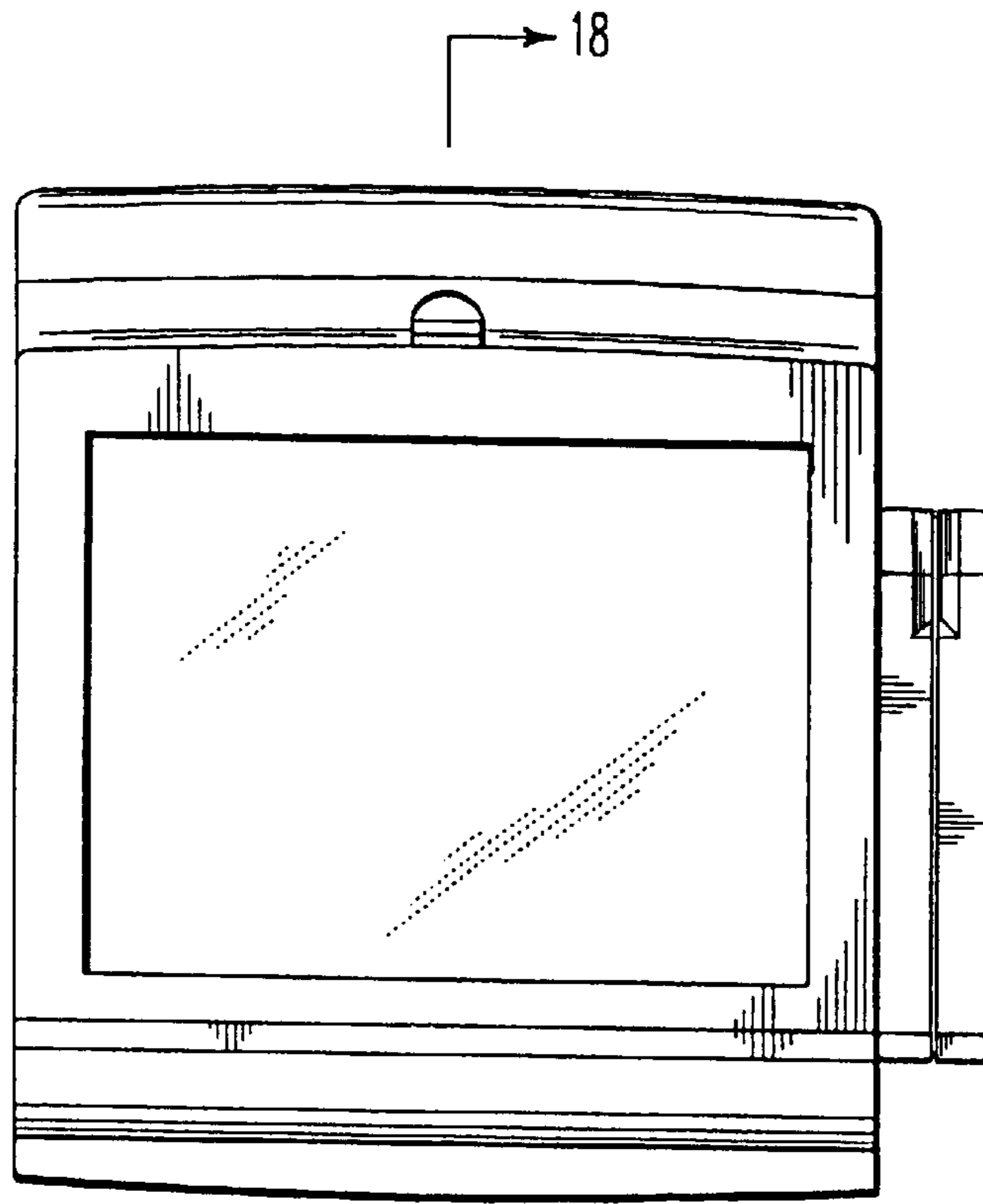


FIG. 14

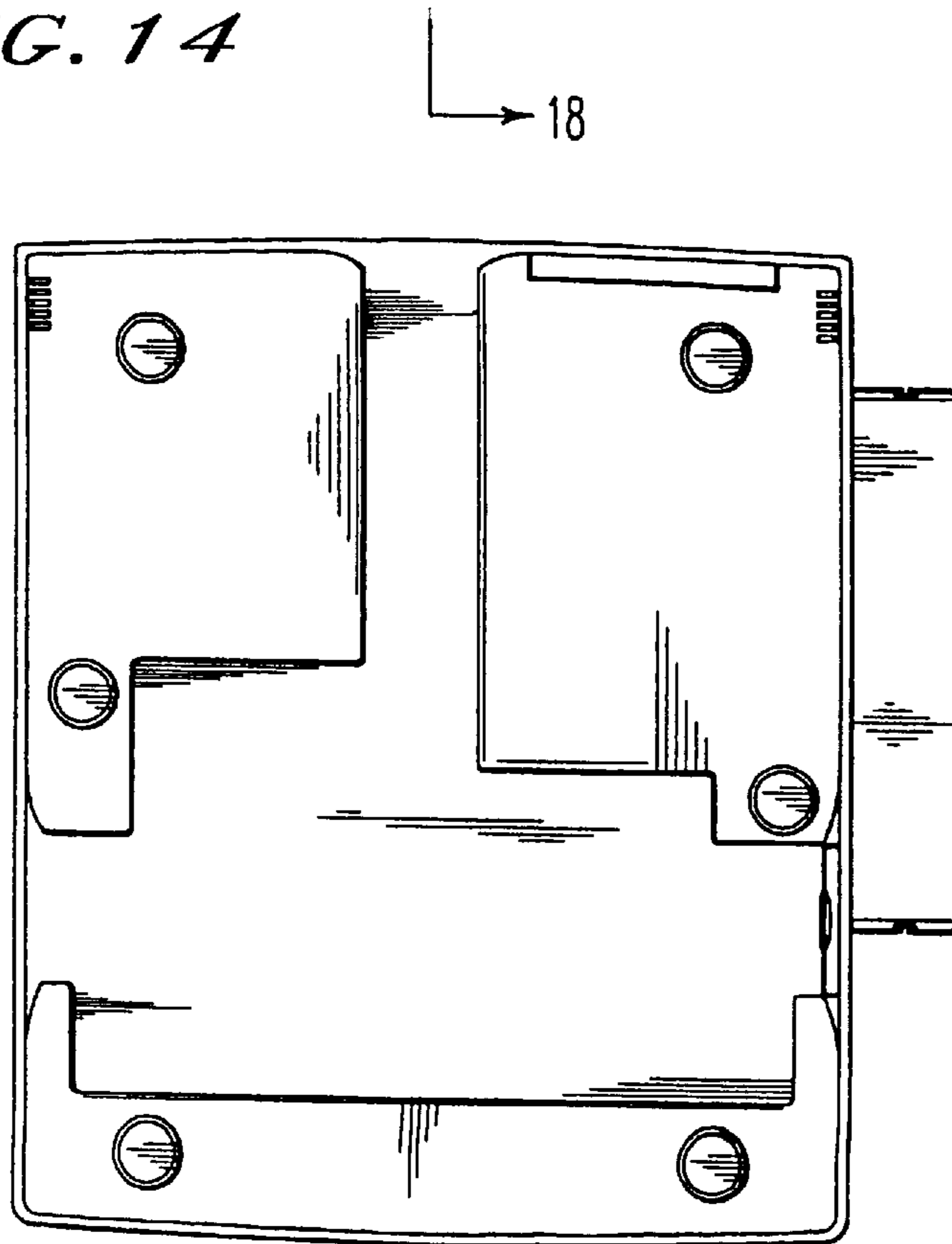


FIG. 15

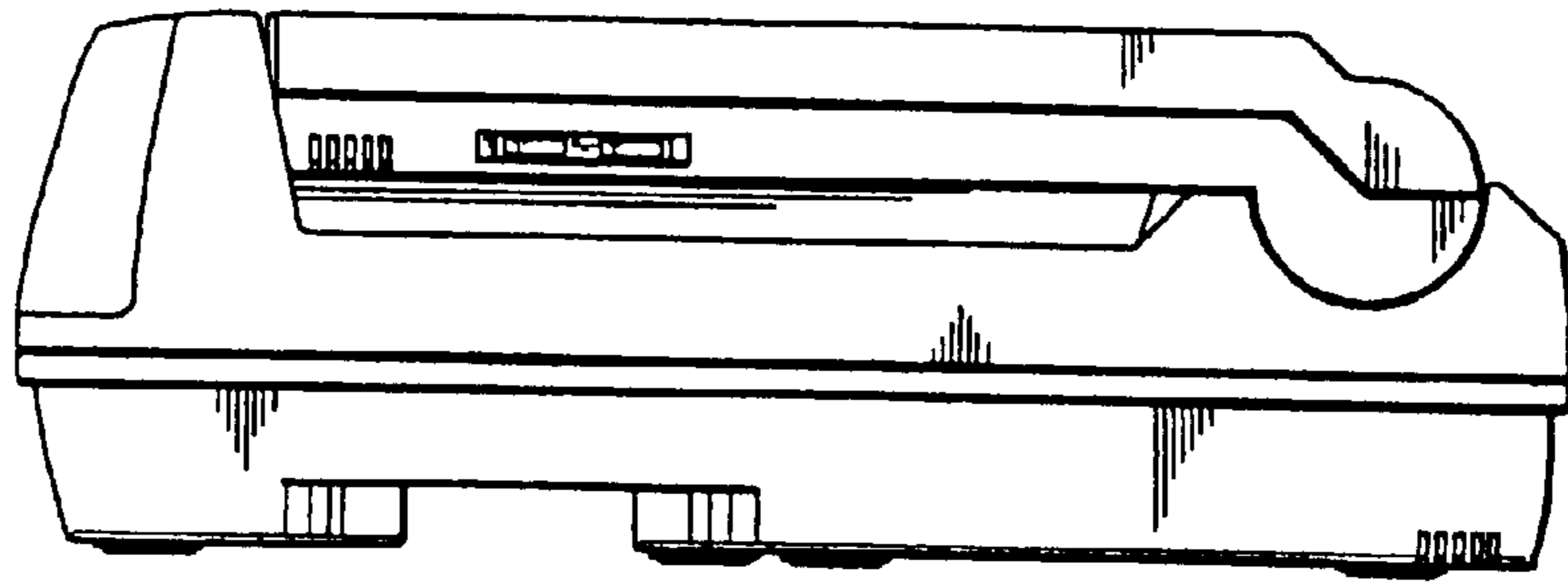


FIG. 16

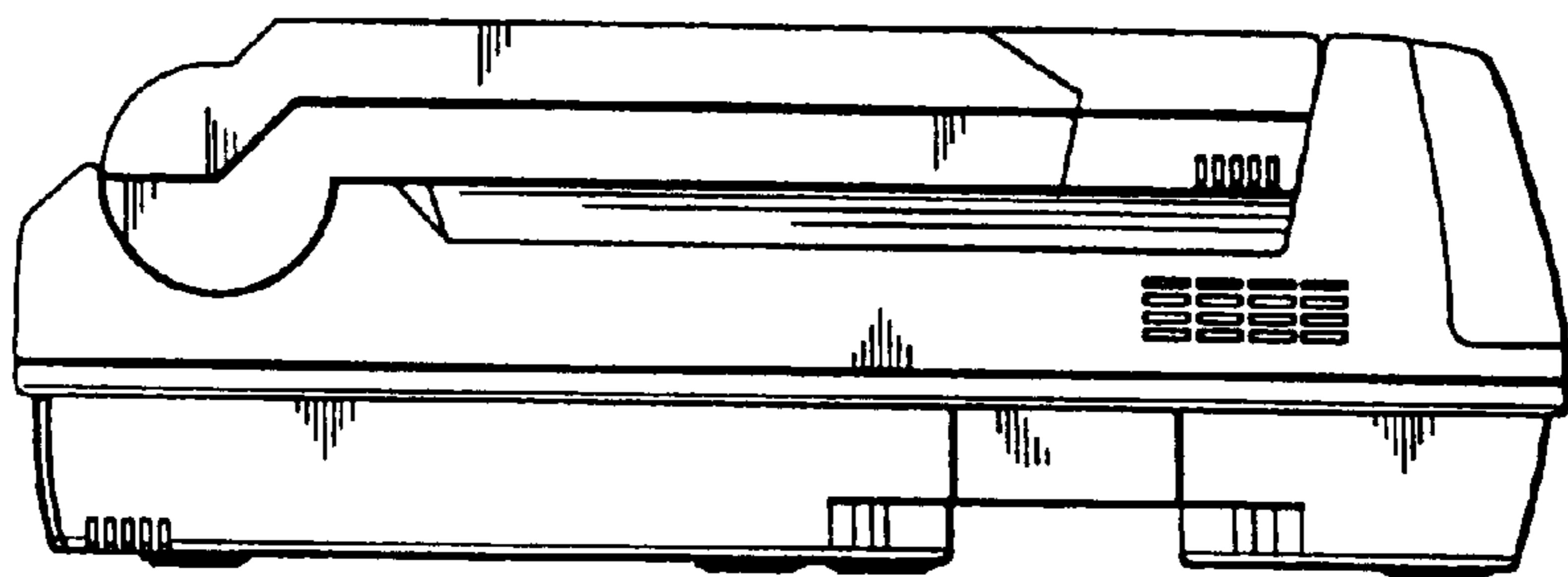


FIG. 17

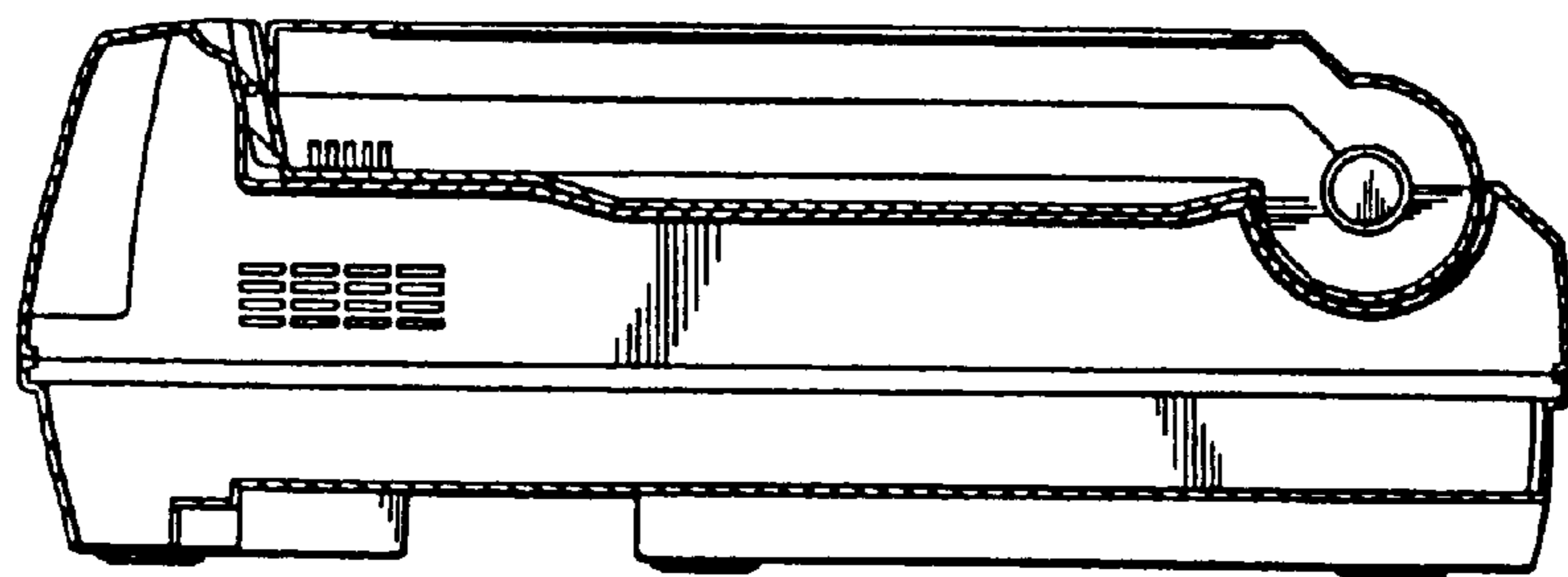


FIG. 18