



US00D427227S

# United States Patent [19] Conway

[11] **Patent Number: Des. 427,227**  
[45] **Date of Patent: \*\* Jun. 27, 2000**

[54] **EYEWEAR**

[75] Inventor: **Simon M. Conway**, Lima, N.Y.

[73] Assignee: **Luxottica Leasing S.p.A.**, Agordo, Italy

[\*\*] Term: **14 Years**

[21] Appl. No.: **29/100,319**

[22] Filed: **Feb. 9, 1999**

### Related U.S. Application Data

[62] Division of application No. 29/087,559, May 5, 1998.

[51] **LOC (7) Cl.** ..... **16-06**

[52] **U.S. Cl.** ..... **D16/327**

[58] **Field of Search** ..... D16/101, 300-330,  
D16/335, 338; 351/41, 44, 51, 52, 111,  
158; 2/447, 448

### [56] References Cited

#### U.S. PATENT DOCUMENTS

D. 204,956	5/1966	Ramp	.....	D57/1
D. 208,437	8/1967	Kono	.....	D16/326
D. 309,149	7/1990	Pouilloux	.....	D16/102
D. 330,395	10/1992	Simioni	.....	D21/102
D. 374,026	9/1996	Chen	.....	D16/330
D. 377,037	12/1996	Stolt	.....	D16/306
2,482,195	9/1949	Martin	.	
3,165,754	1/1965	Rodgers	.	
3,402,005	9/1968	Liautaud	.....	D16/300
3,582,194	6/1971	Liautaud	.....	351/156
3,724,934	4/1973	Bloom	.....	351/44
4,011,524	3/1977	Florio	.....	351/83
4,196,982	4/1980	Watkins	.....	351/86
5,137,242	8/1992	Reath	.....	248/309.1

5,181,051	1/1993	Townsend	.....	351/52
5,270,743	12/1993	Hofmair	.....	351/86
5,323,189	6/1994	Contreras	.....	351/118
5,537,161	7/1996	Monroe	.....	351/51
5,712,697	1/1998	Walton	.....	351/44

### OTHER PUBLICATIONS

Giorgio Armani Catalog, Frame #832, 1995.  
 Sunglass Hut Catalog, p. 28, Frame "E" 1994.  
 Macy's Catalog, Frame 2<sup>nd</sup> from top left, Mar. 14, 1997.  
 Sunglass Hut Catalog, 1995.  
 Optical Journal & Review of Optometry, p. 9, Dec. 15, 1970.  
 DM/031 667, Feb. 2, 1994, Int'l Designs Bulletin Fig. 2.  
 DM/034 262, Nov. 25, 1994, Int'l Designs Bulletin Fig. 7.  
 DM/037 121, Sep. 29, 1995, Int'l Designs Bulletin Fig. 11.  
 DM/041 599, Oct. 1, 1997, Int'l Designs Bulletin Figs. 11.1-11.6.  
 USSN 29/070151 filed May 1, 1997.  
 Bloomingdale's Catalog, p. 35, May 1994.  
 Sunglass Hut International Catalog, p. 10 Dec. 1996.  
 Ski Magazine, Jan. 1987.  
 Washington Post, Mar. 4, 1990.

*Primary Examiner*—Raphael Barkai  
*Attorney, Agent, or Firm*—Katherine McGuire

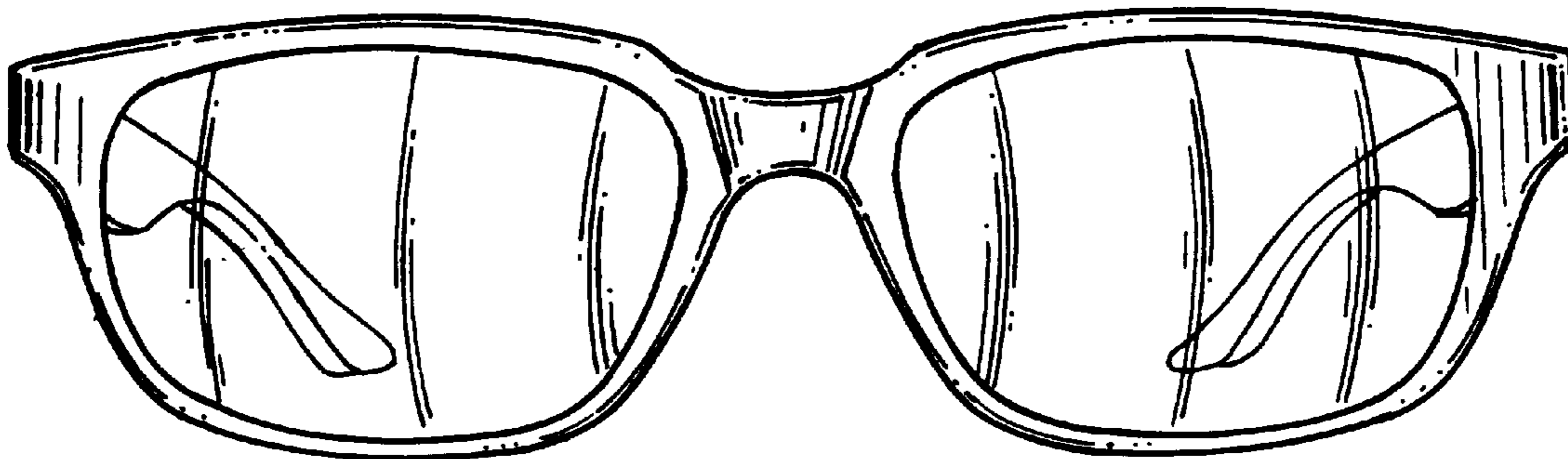
### [57] CLAIM

The ornamental design for eyewear, as shown and described.

### DESCRIPTION

FIG. 1 is a front elevational view of eyewear showing my new design;  
 FIG. 2 is a side elevational view thereof;  
 FIG. 3 is a top plan view thereof;  
 FIG. 4 is a bottom plan view thereof; and,  
 FIG. 5 is a top front perspective view thereof.

1 Claim, 4 Drawing Sheets



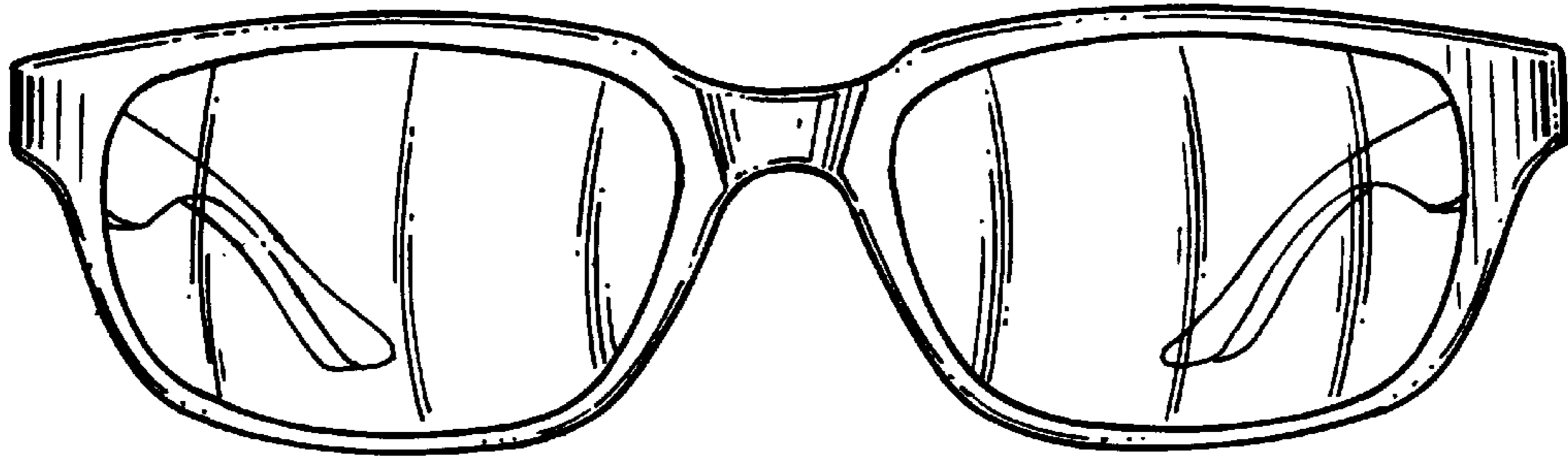


FIG. 1

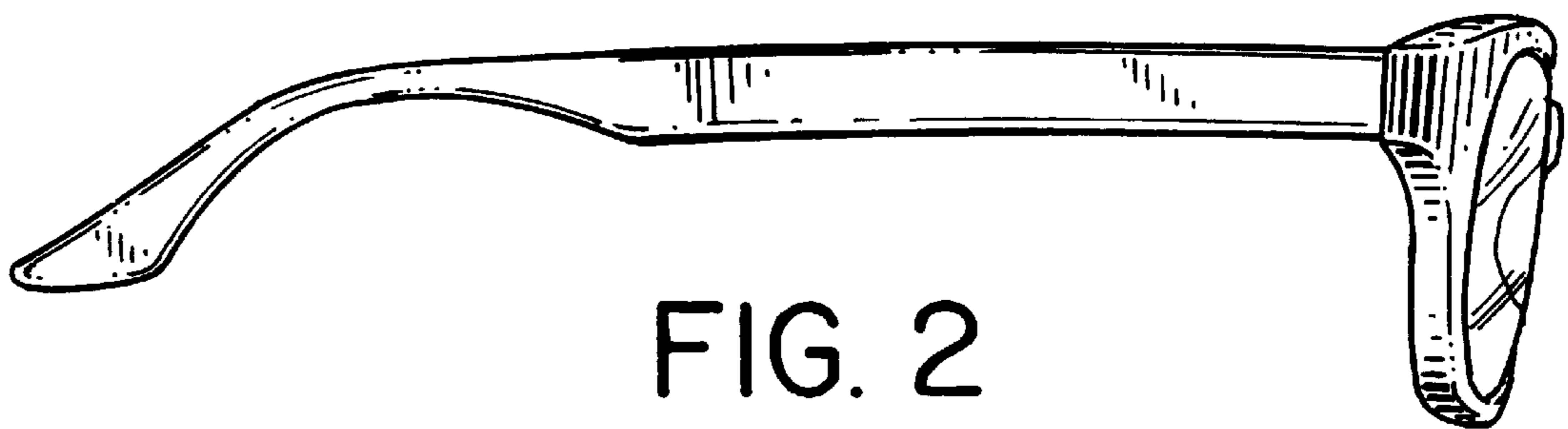
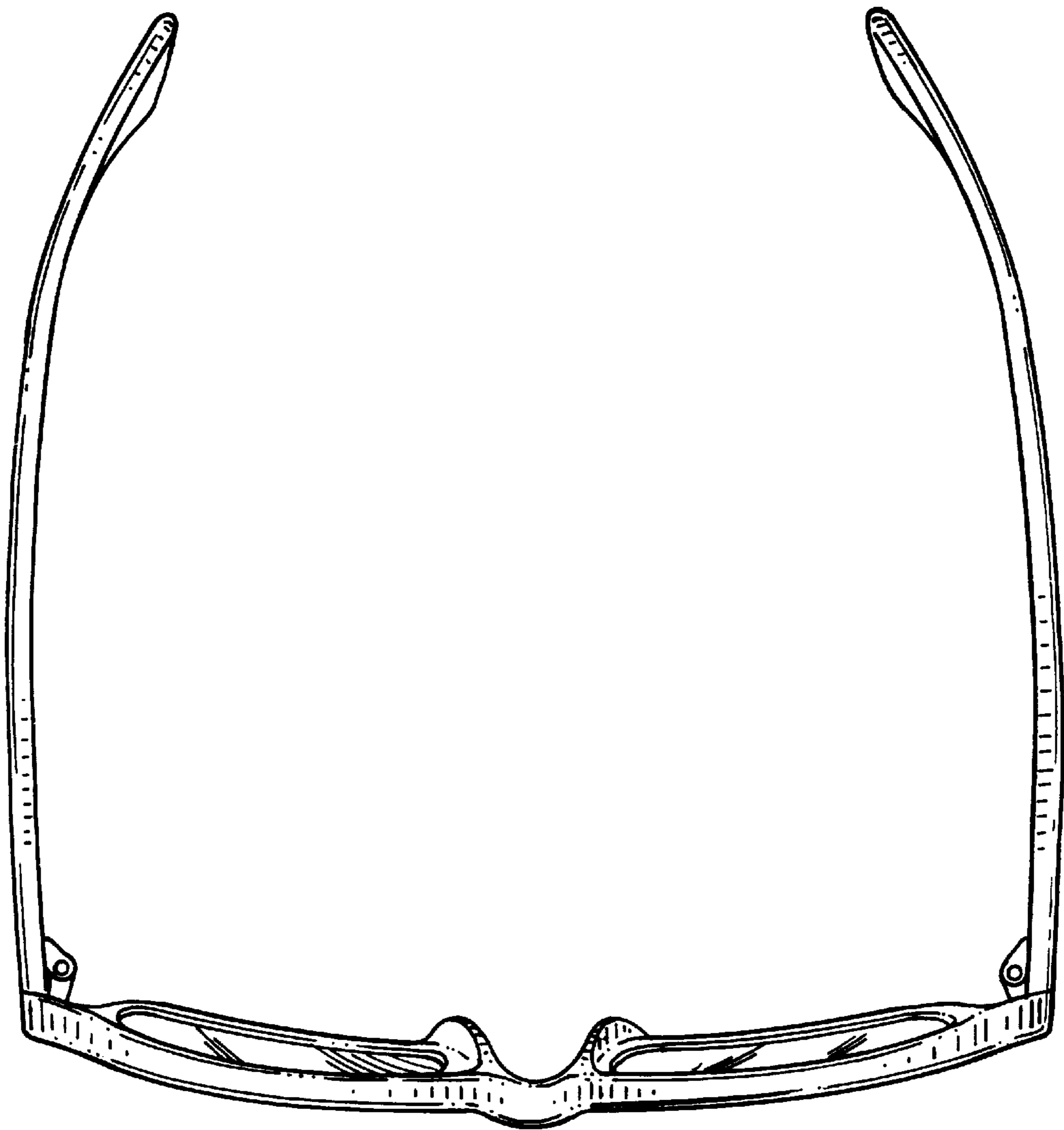


FIG. 2

FIG. 3



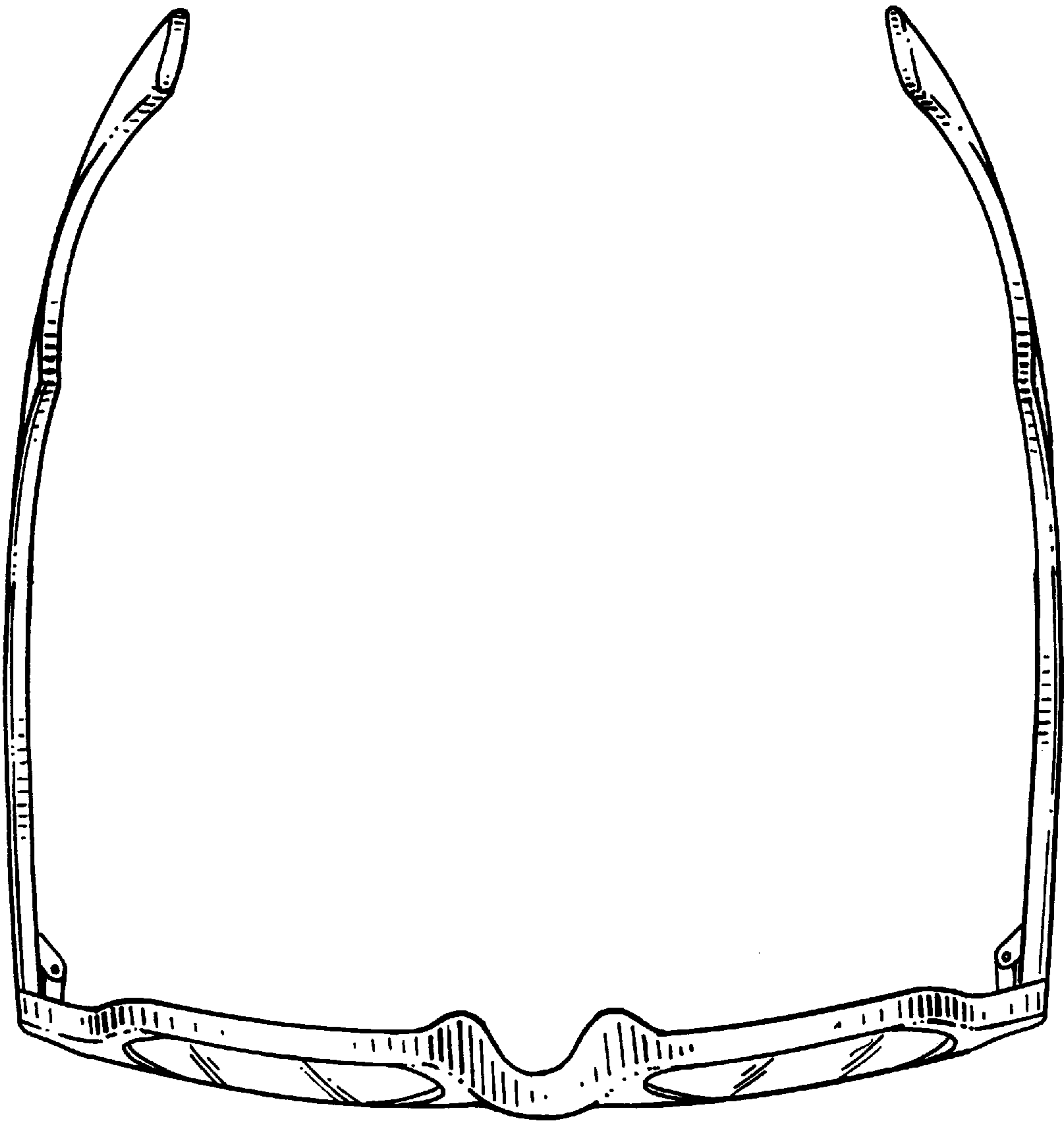


FIG. 4

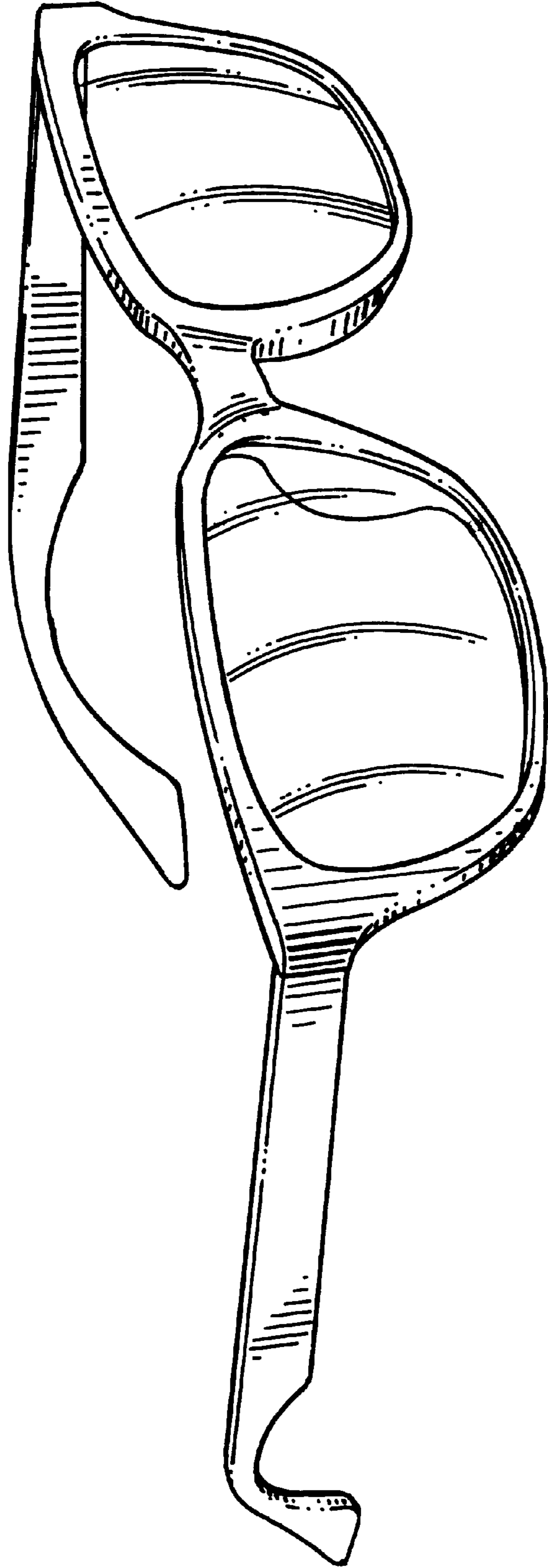


FIG. 5