



US00D427225S

United States Patent [19]

Arnette

[11] Patent Number: **Des. 427,225**

[45] Date of Patent: **** Jun. 27, 2000**

- [54] **GOGGLE**
- [75] Inventor: **Kip Arnette**, South Laguna Beach, Calif.
- [73] Assignee: **Luxottica Leasing S.p.A.**, Agordo, Italy
- [**] Term: **14 Years**
- [21] Appl. No.: **29/103,101**
- [22] Filed: **Apr. 8, 1999**
- [51] **LOC (7) Cl.** **16-06**
- [52] **U.S. Cl.** **D16/312**
- [58] **Field of Search** D16/101, 300-330; D29/109, 110; D24/110.2; 351/41, 44, 158; 2/424, 426, 432, 436, 437, 447

3,945,044	3/1976	McGee	2/14
4,447,914	5/1984	Jannard	2/432
5,542,130	8/1996	Grabos, Jr. et al.	2/436
5,689,834	11/1997	Wilson	2/436
5,809,580	9/1998	Arnette	2/426
5,815,235	9/1998	Runckel	351/92

OTHER PUBLICATIONS

Sunglass Hut Catalog p. 29, 1994.

Primary Examiner—Raphael Barkai
Attorney, Agent, or Firm—Arent Fox Kintner, Plotkin & Kahn PLLC

[57] CLAIM

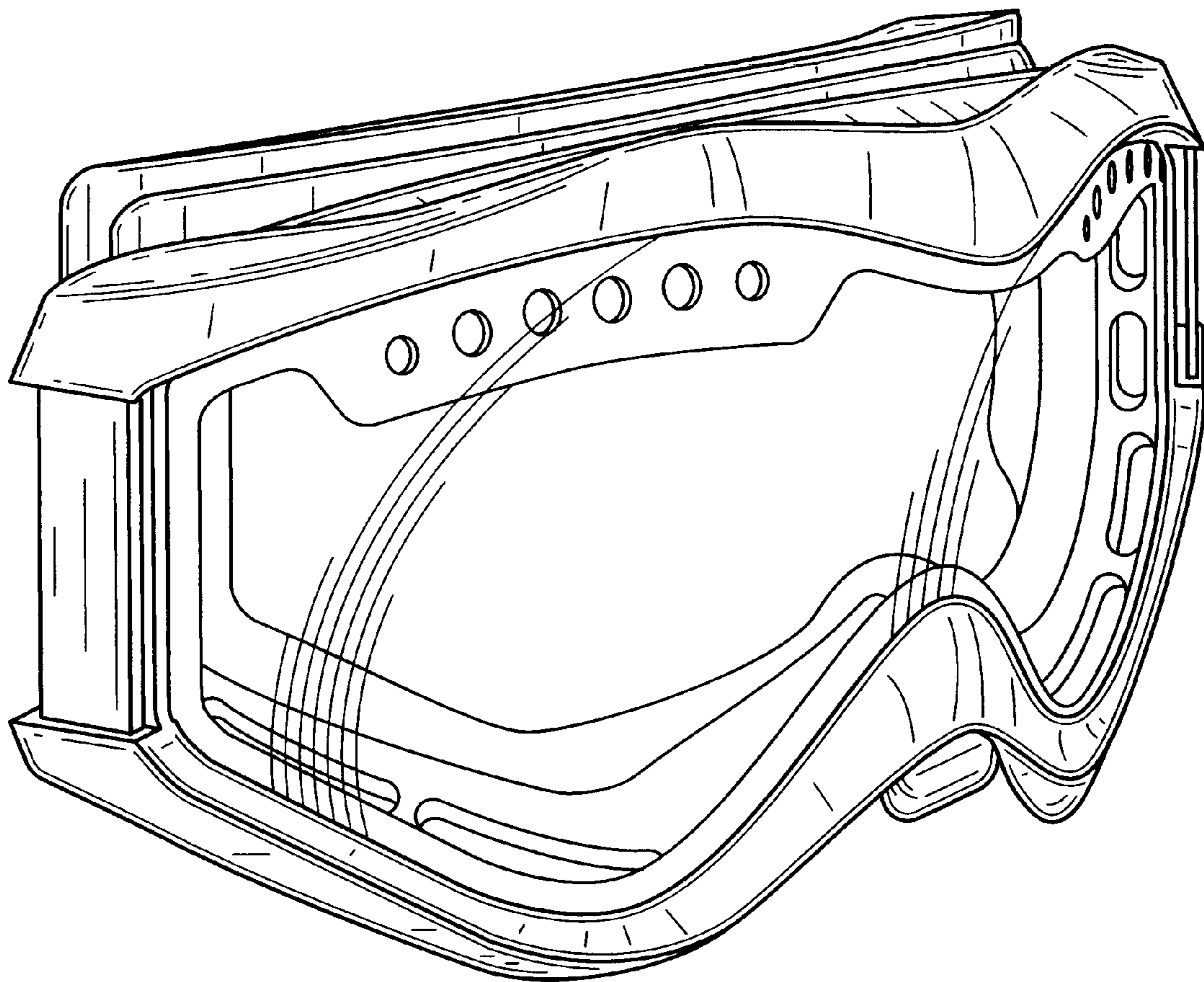
The ornamental design for goggle, as shown and described.

DESCRIPTION

FIG. 1 is a front perspective view of a goggle showing my new design;
 FIG. 2 is a front elevational view thereof;
 FIG. 3 is a rear elevational view thereof;
 FIG. 4 is a side elevational view thereof;
 FIG. 5 is a top plan view thereof; and,
 FIG. 6 is a bottom plan view thereof.

1 Claim, 6 Drawing Sheets

- [56] **References Cited**
- U.S. PATENT DOCUMENTS**
- D. 327,490 6/1992 Wilson D16/102
- D. 358,159 5/1995 Lai D16/312
- D. 364,181 11/1995 Arnette D16/312
- D. 403,689 1/1999 Mage D16/312
- D. 407,735 4/1999 Arnette D16/312
- D. 408,431 4/1999 Simoni D16/312



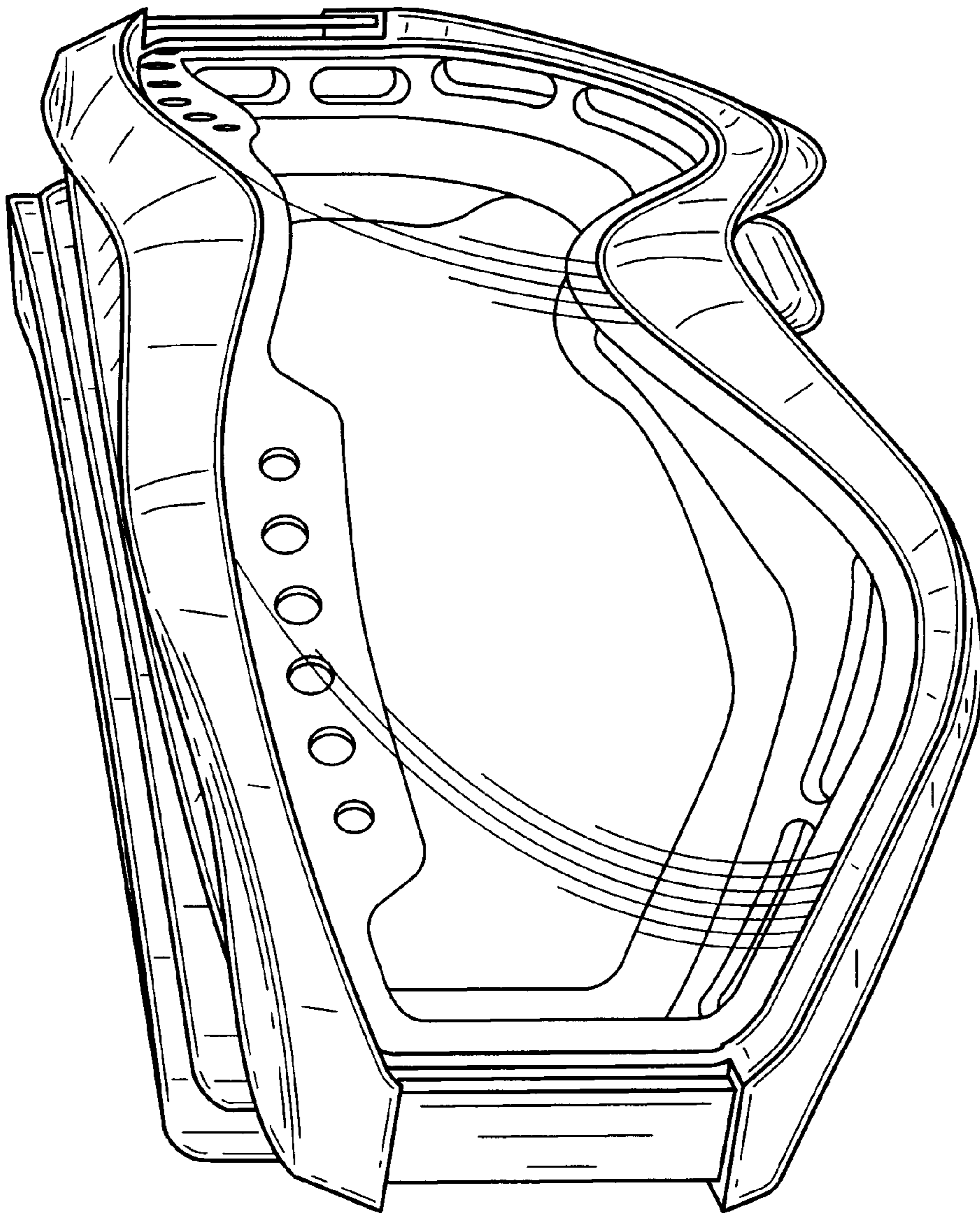


FIG. 1

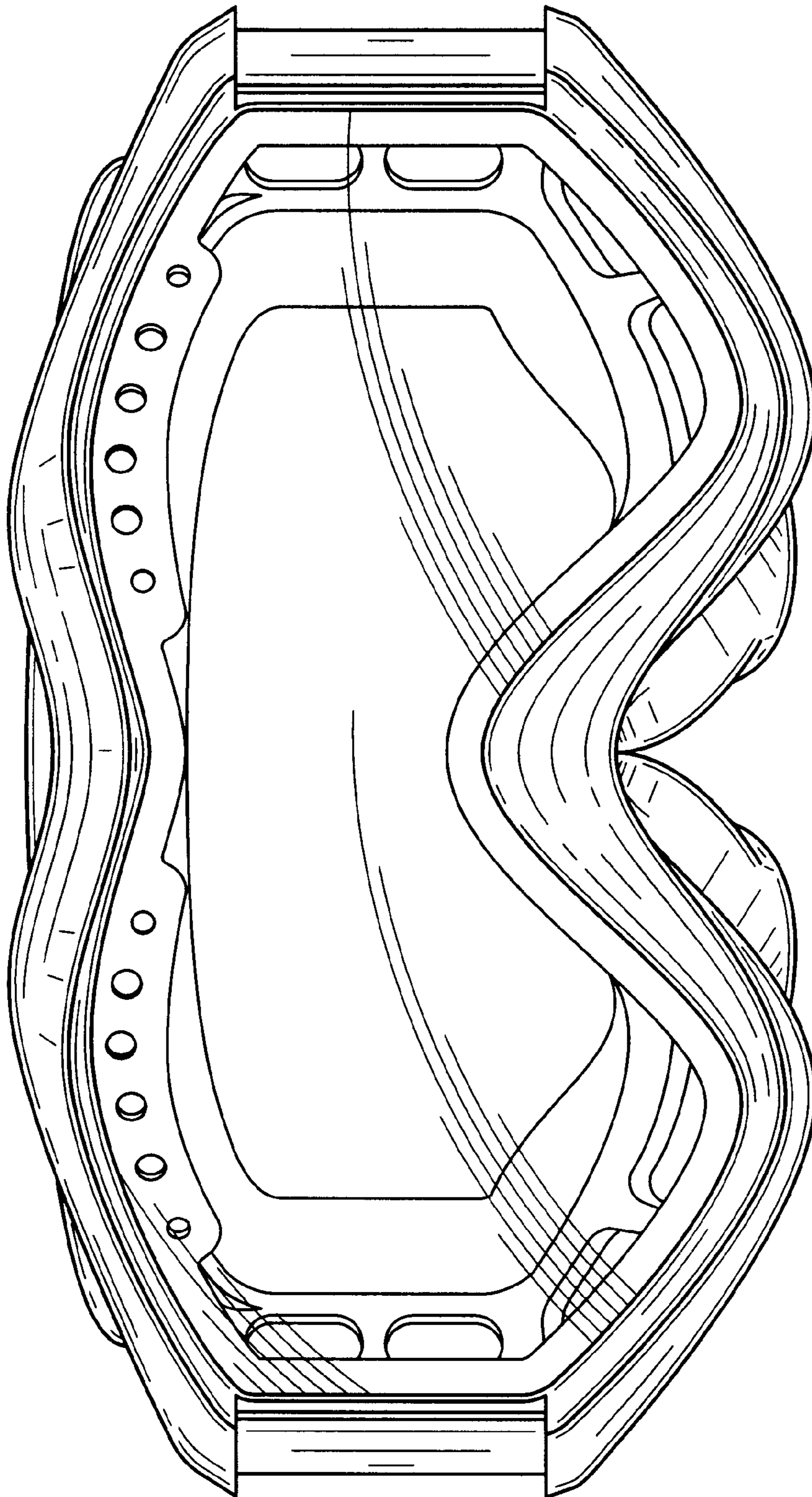


FIG. 2

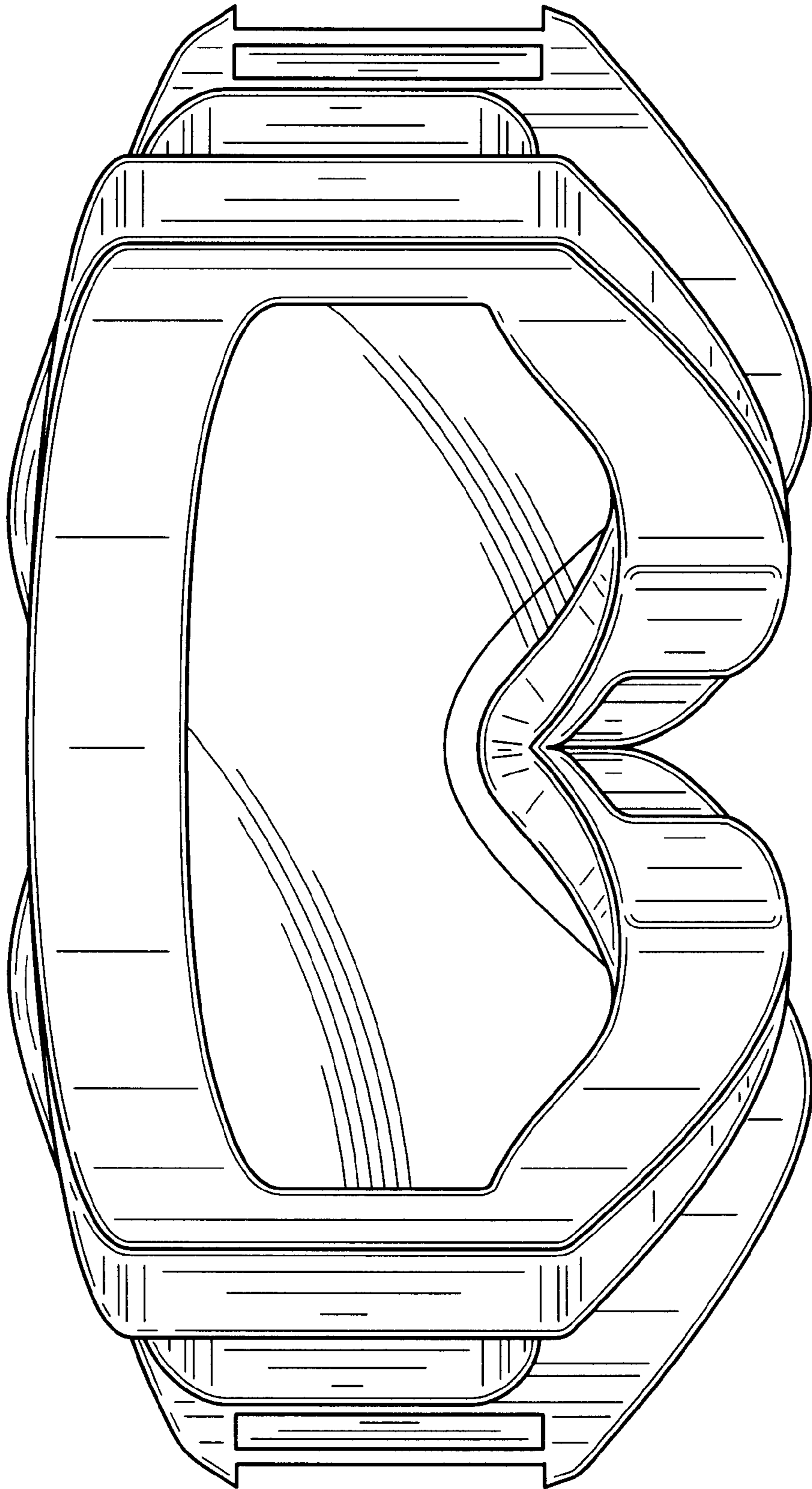


FIG. 3

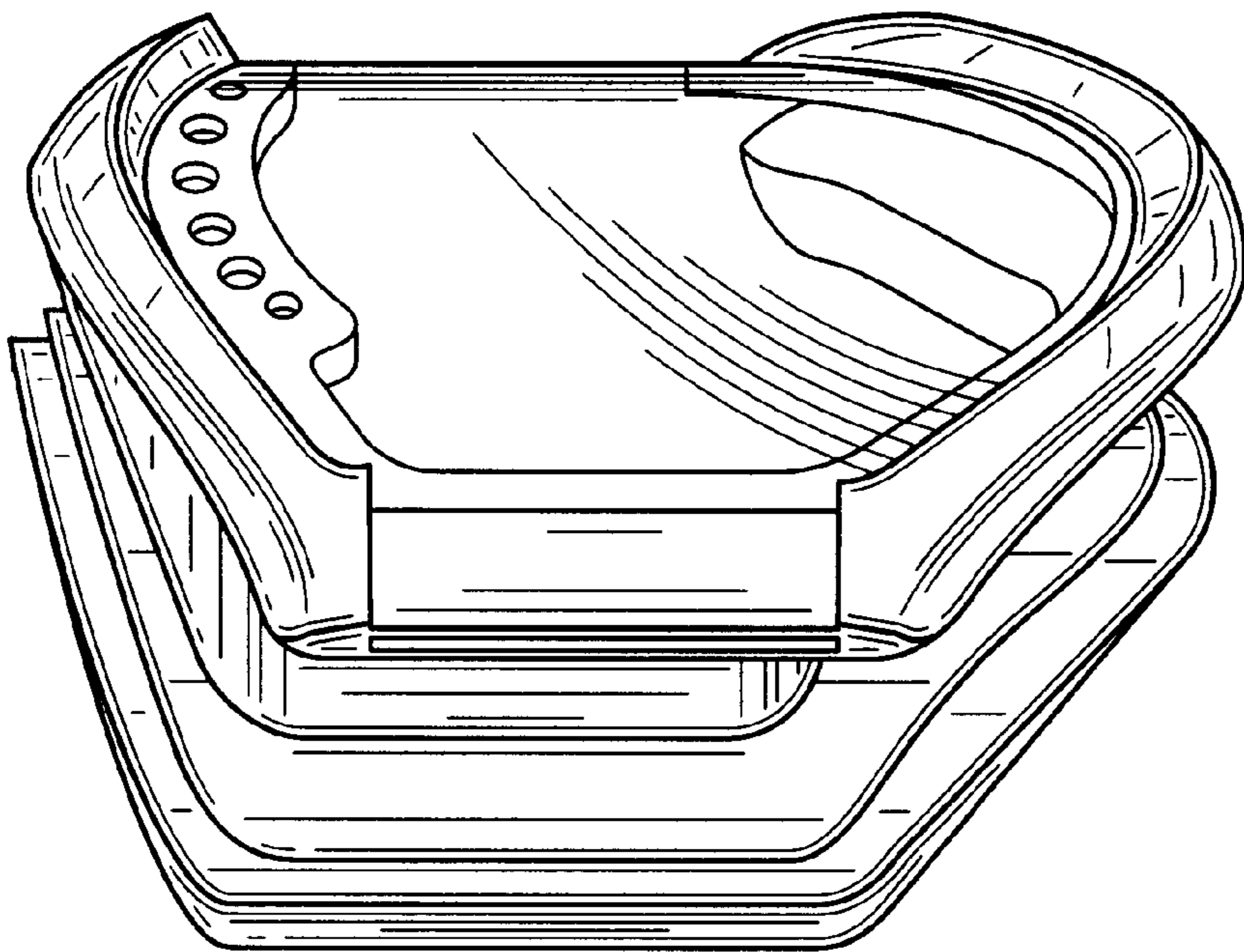


FIG. 4

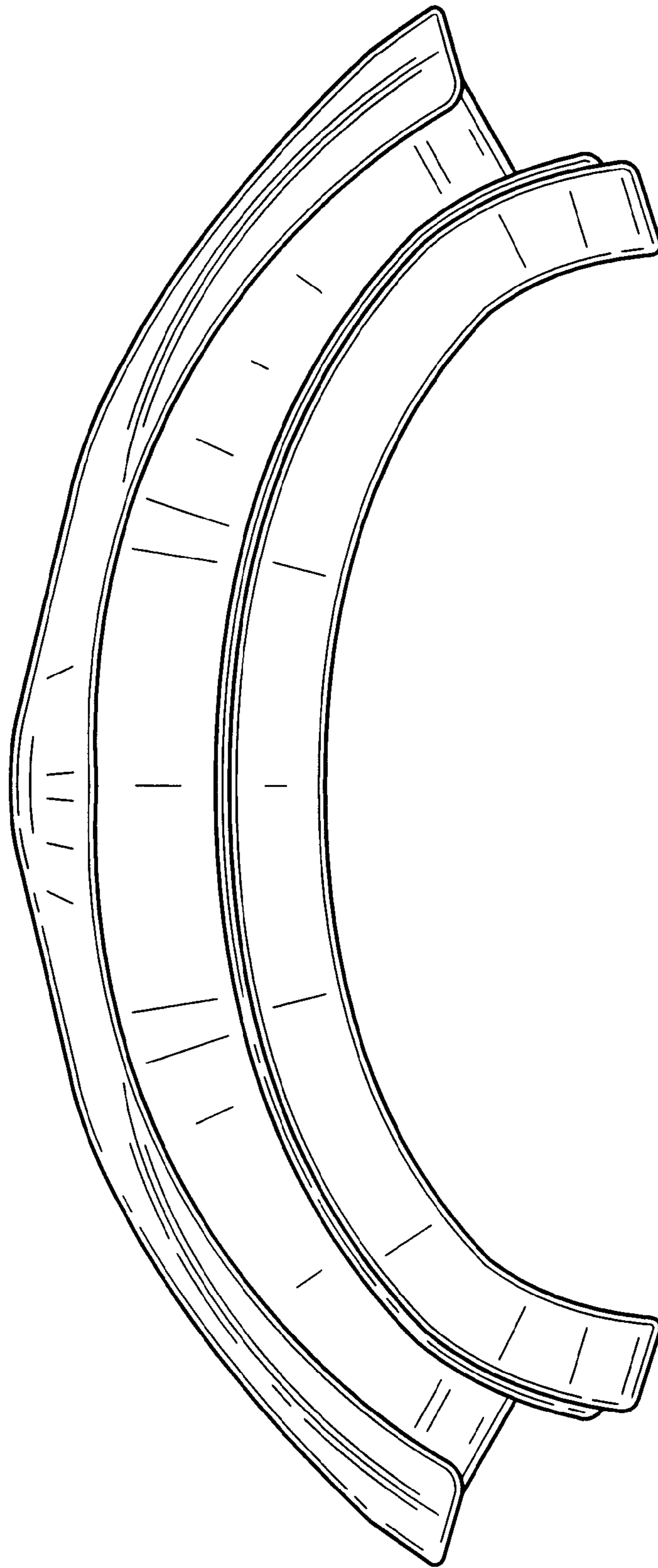


FIG. 5

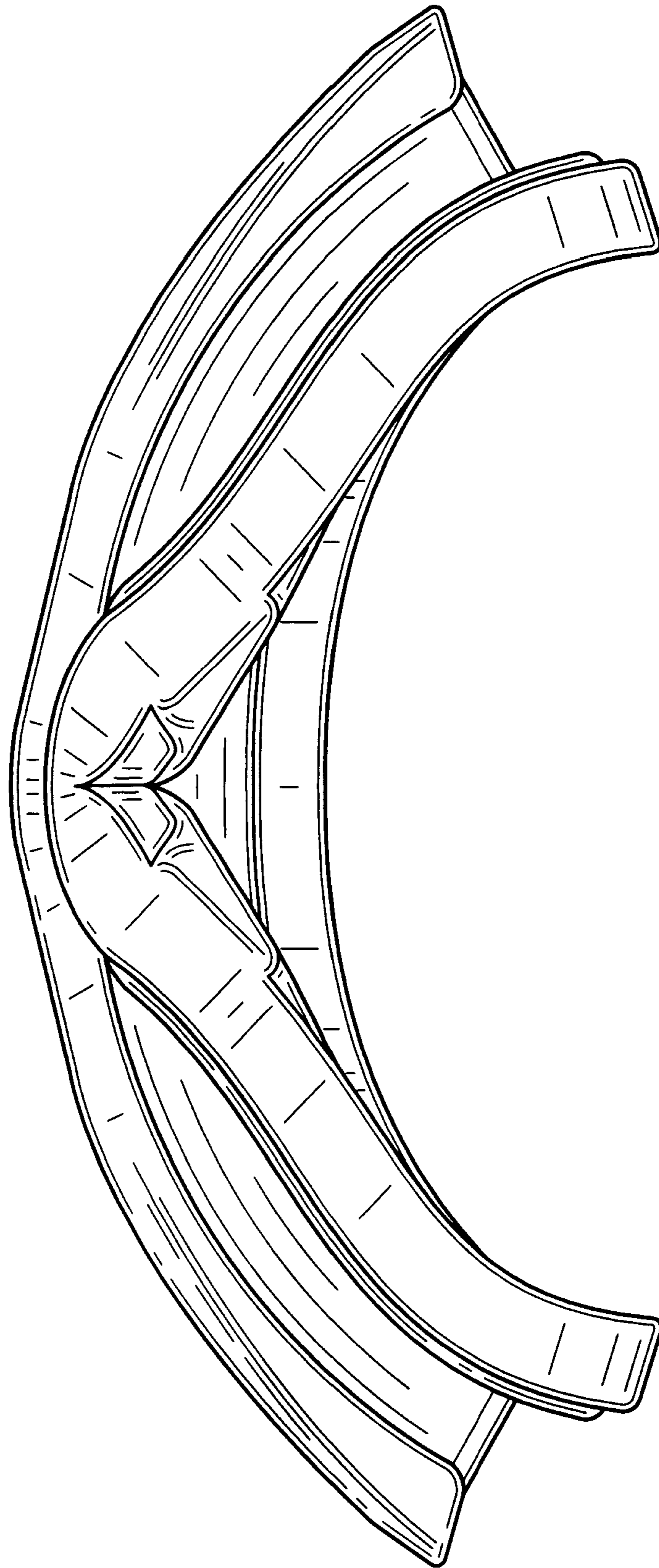


FIG. 6