



US00D427221S

United States Patent [19] Ono

[11] **Patent Number: Des. 427,221**

[45] **Date of Patent: ** Jun. 27, 2000**

[54] **CAMERA LENS**

4,457,609 7/1984 Tomino et al. 359/828

[75] Inventor: **Arata Ono**, Urawa, Japan

Primary Examiner—Adir Aronovich
Attorney, Agent, or Firm—Oliff & Berridge, PLC

[73] Assignee: **Nikon Corporation**, Tokyo, Japan

[57] **CLAIM**

[**] Term: **14 Years**

The ornamental design for a camera lens, as shown.

[21] Appl. No.: **29/101,894**

DESCRIPTION

[22] Filed: **Mar. 12, 1999**

FIG. 1 is a front elevational view of a camera lens showing my new design;

[51] **LOC (7) Cl.** **16-06**

FIG. 2 is a left side elevational view thereof;

[52] **U.S. Cl.** **D16/134; D16/219**

FIG. 3 is a rear elevational view thereof;

[58] **Field of Search** D16/134, 136,
D16/219, 237; 359/703, 704, 815, 819,
826-828; 396/529-531, 544

FIG. 4 is a right side elevational view thereof;

FIG. 5 is a top plan view thereof;

FIG. 6 is a bottom plan view thereof; and,

FIG. 7 is a front perspective view thereof.

[56] **References Cited**

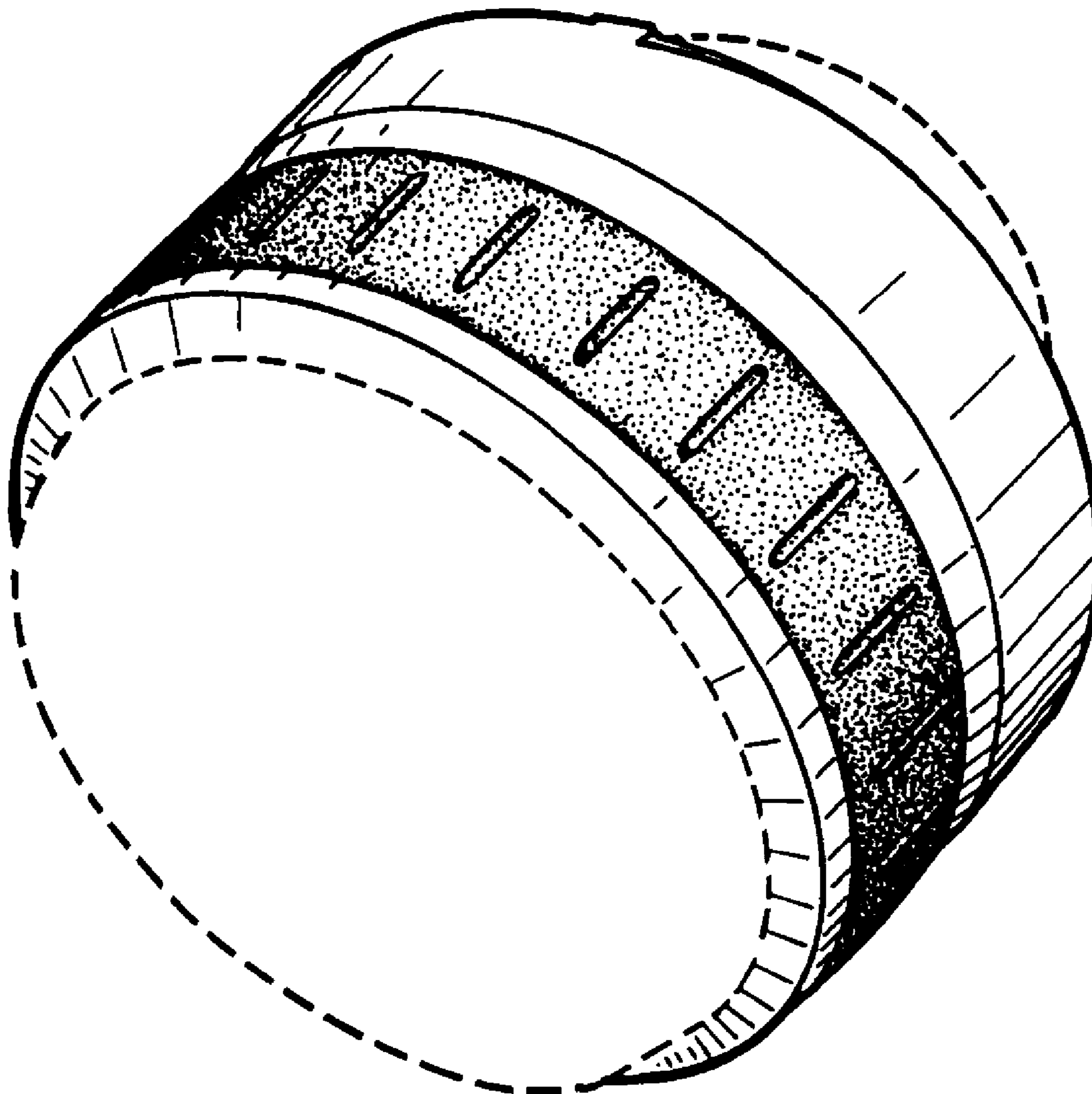
The broken lines which define the bounds of the claimed design form no part thereof.

U.S. PATENT DOCUMENTS

The broken line environmental showing is for illustrative purposes only and forms no part of the claimed design.

D. 183,255	7/1958	Gebele	D16/134
D. 304,594	11/1989	Yamamoto	D16/134
D. 338,028	8/1993	Takahashi	D16/134

1 Claim, 4 Drawing Sheets



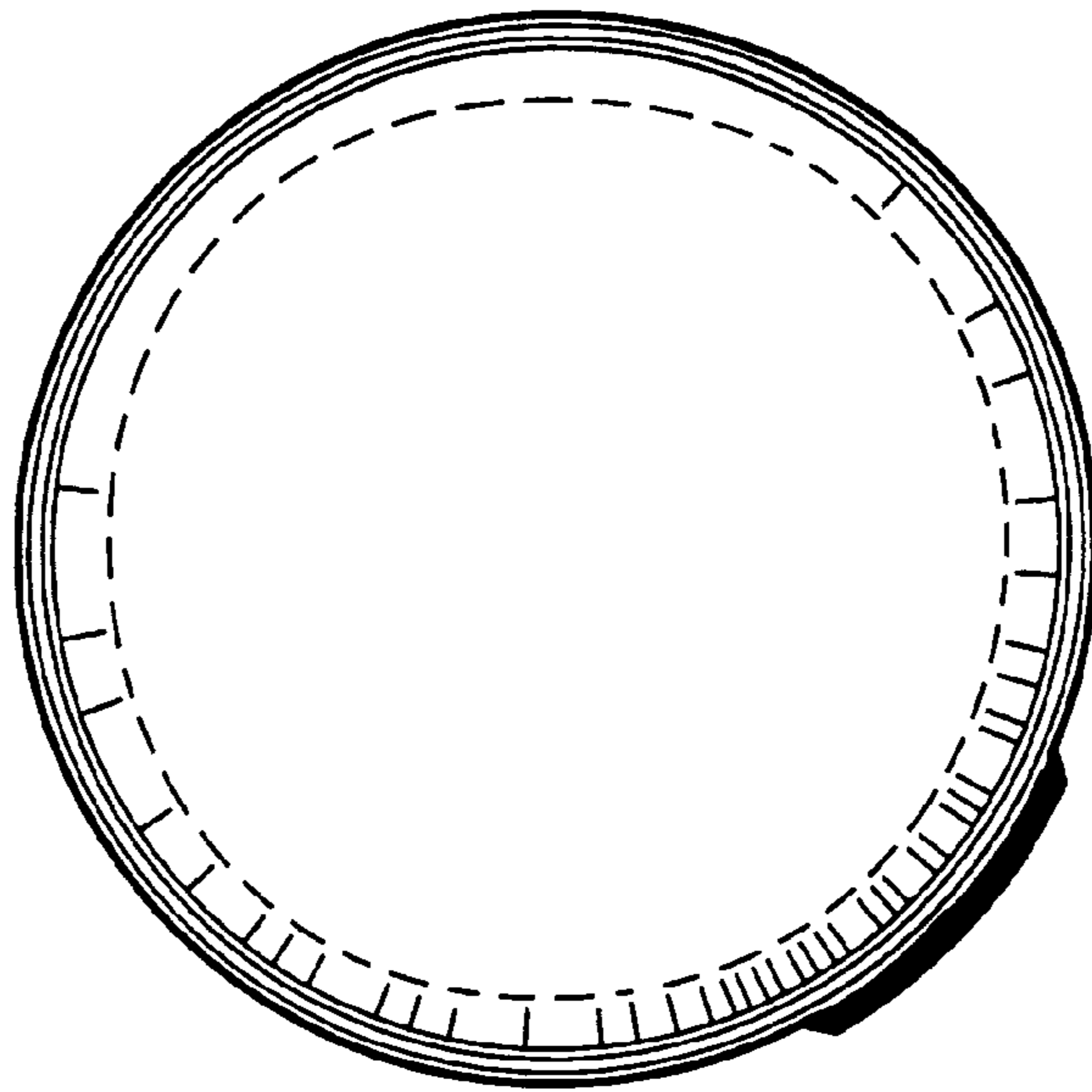


FIG. 1

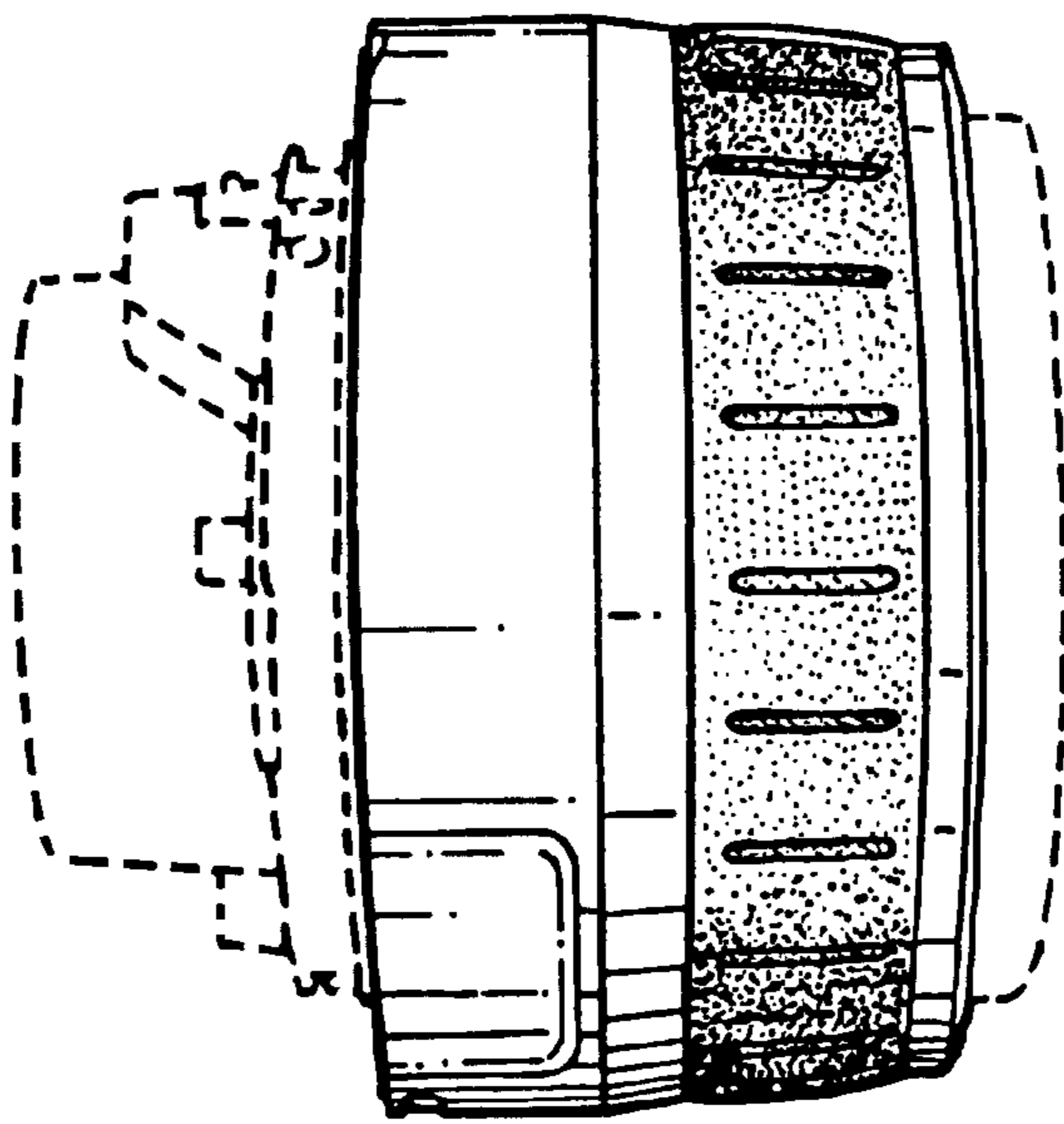


FIG. 2

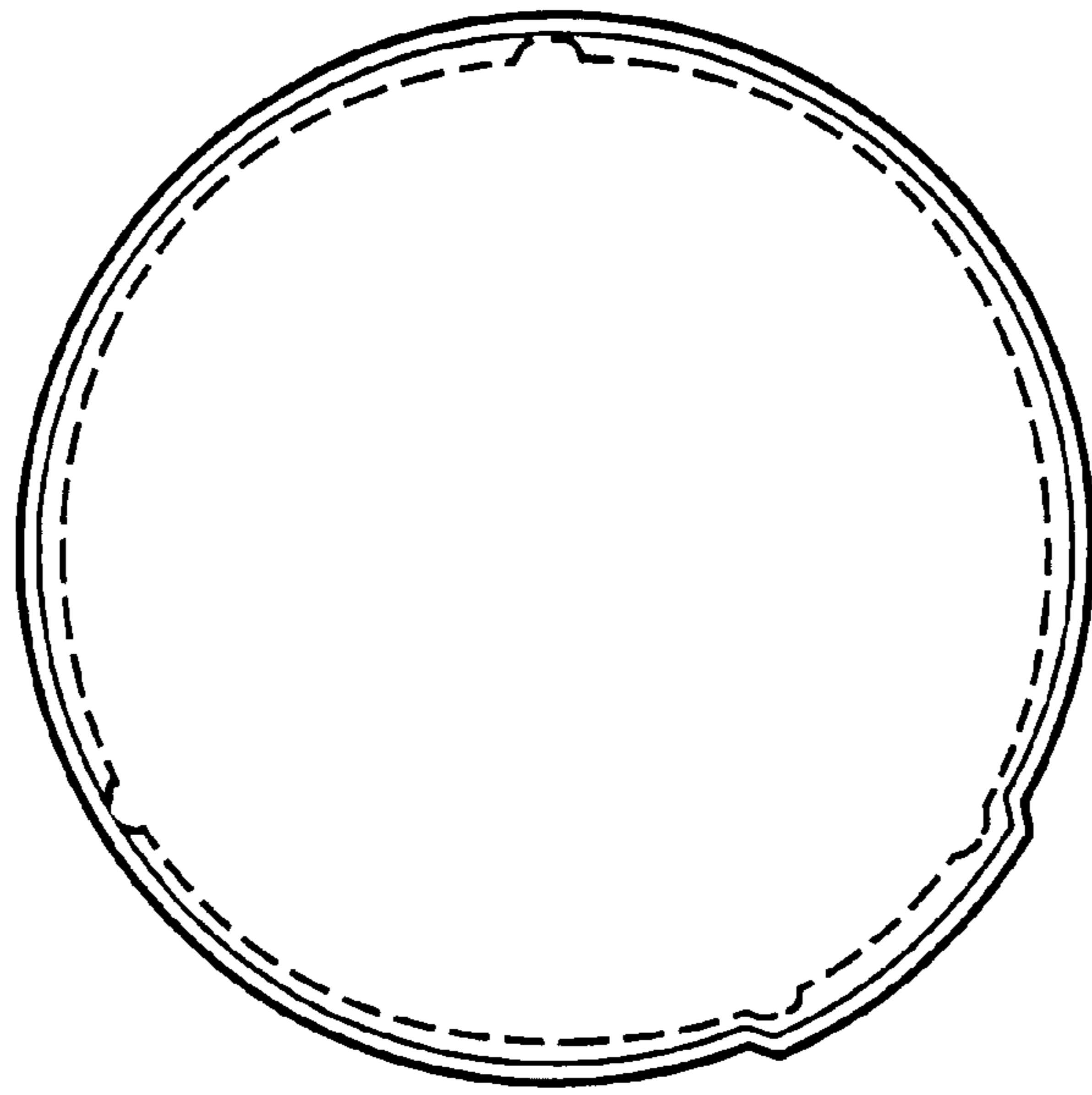


FIG. 3

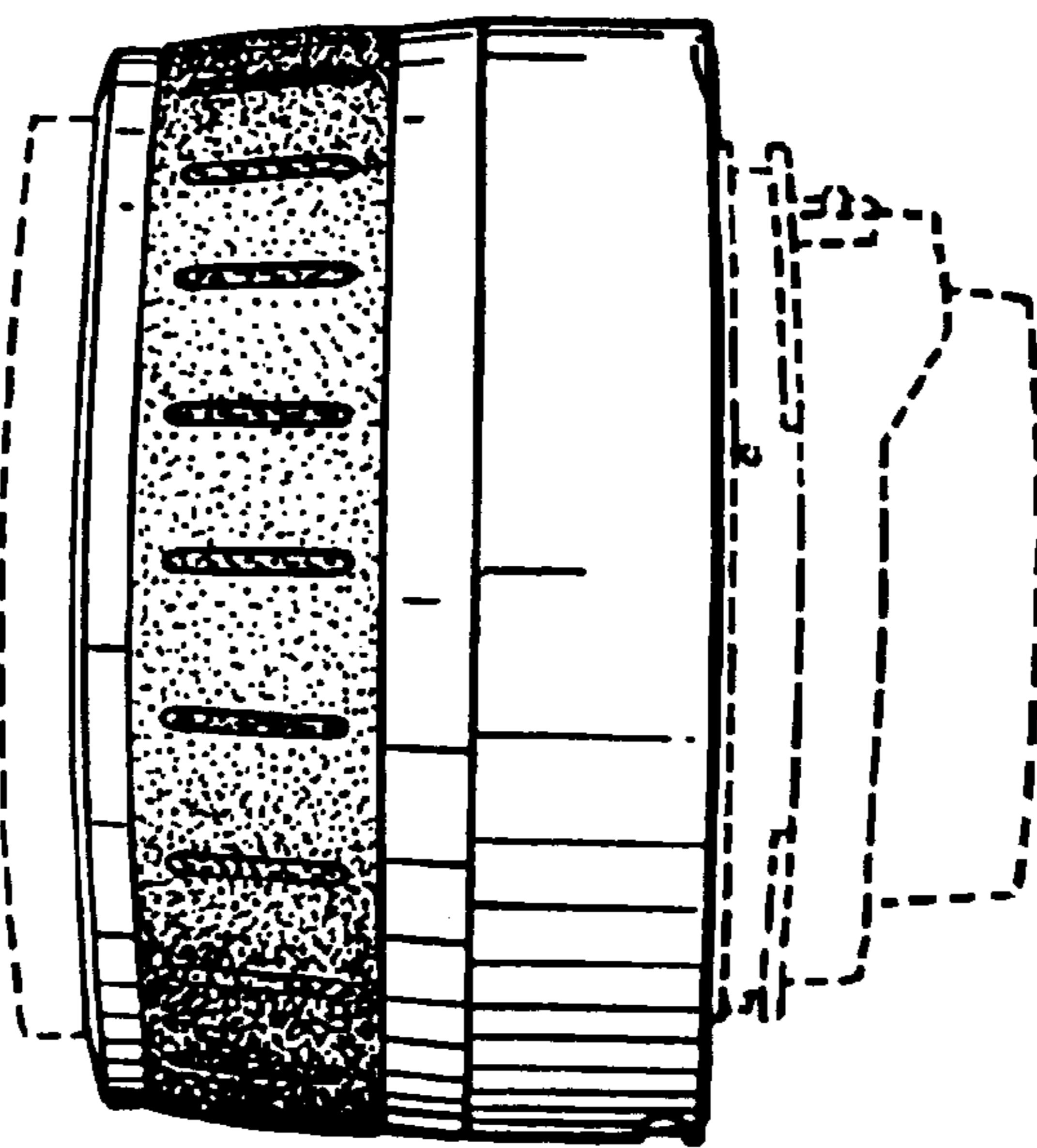


FIG. 4

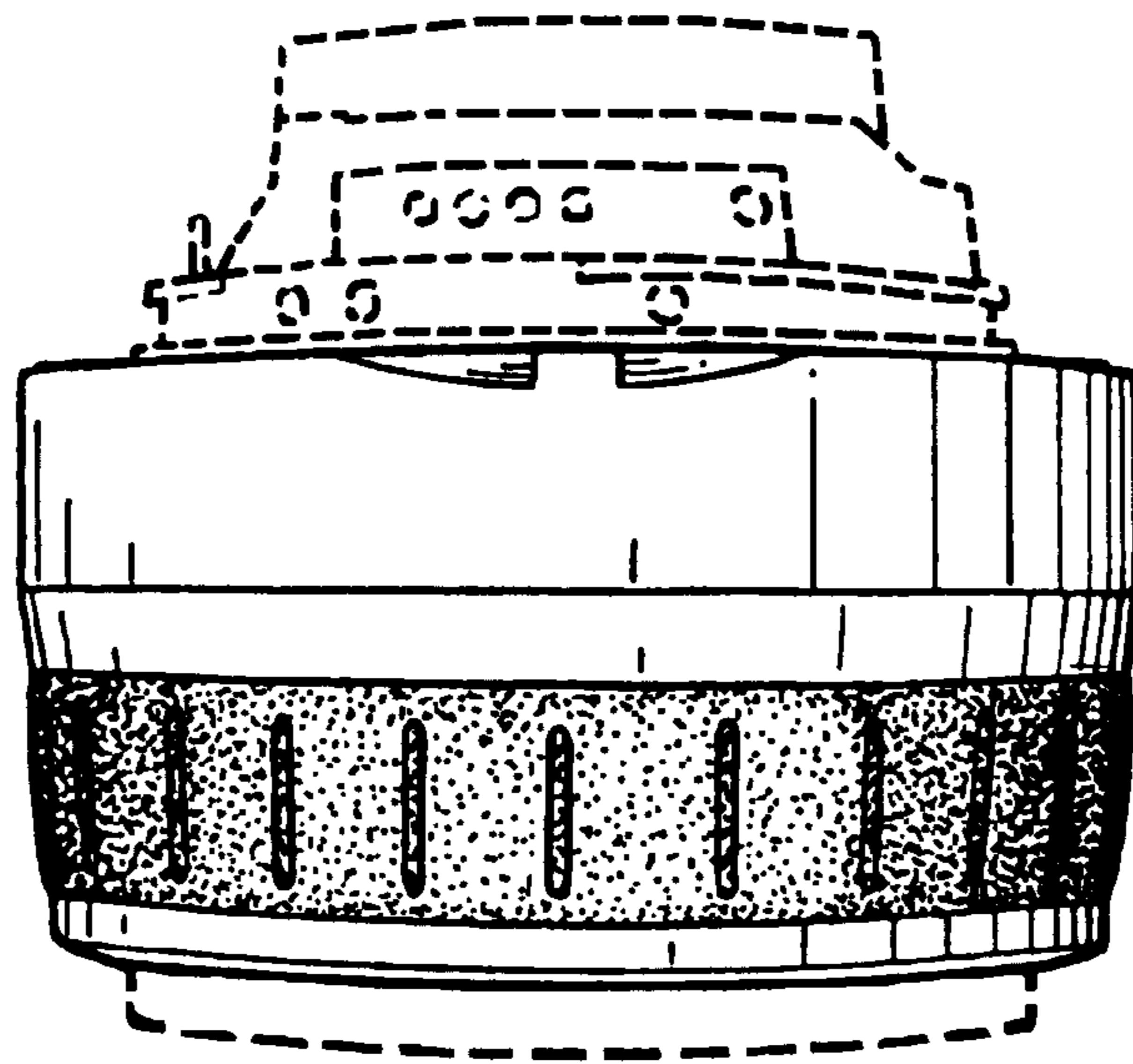


FIG. 5

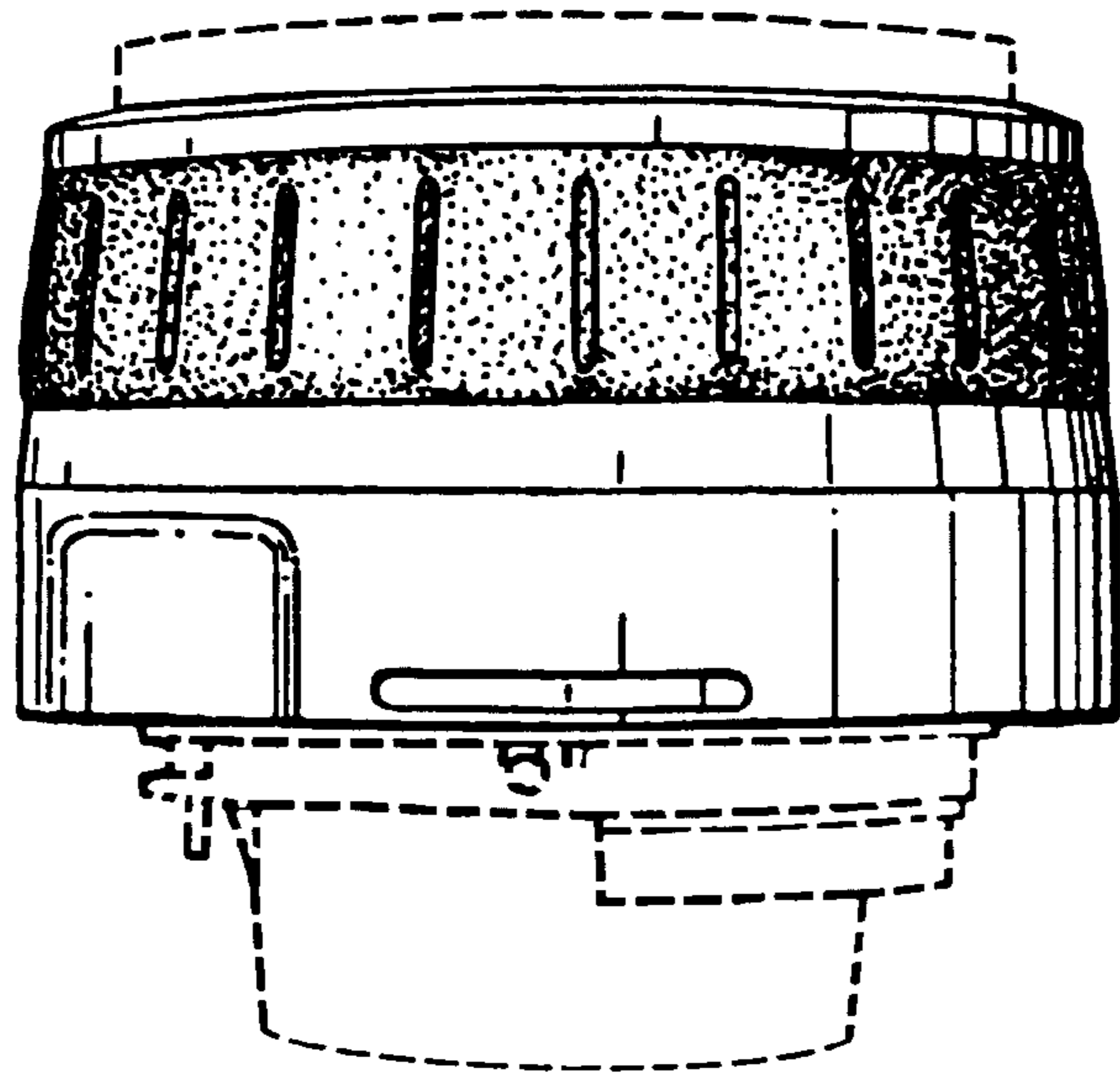


FIG. 6

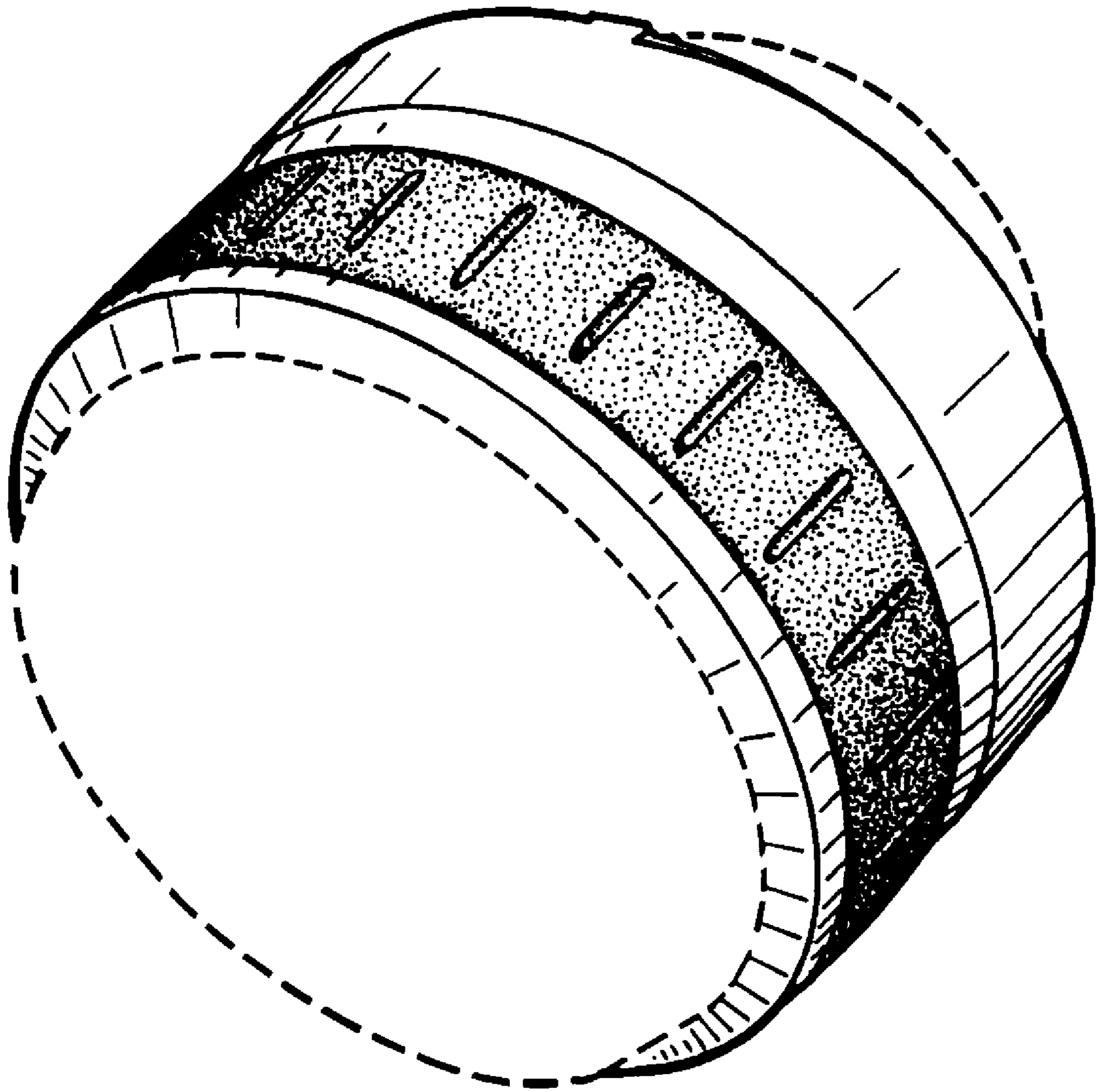


FIG. 7