



US00D427220S

# United States Patent [19]

Lee

[11] Patent Number: **Des. 427,220**

[45] Date of Patent: **\*\* Jun. 27, 2000**

[54] **BINOCULARS**

[76] Inventor: **Li-Hwa Lee**, 13th Fl., No. 94, Sec. 1, Hsin-Tai Wu Rd., Hsichih Chen, Taipei Hsien, Taiwan

[\*\*] Term: **14 Years**

[21] Appl. No.: **29/109,549**

[22] Filed: **Aug. 17, 1999**

[51] **LOC (7) Cl.** ..... **16-06**

[52] **U.S. Cl.** ..... **D16/133**

[58] **Field of Search** ..... D16/130, 132, D16/133; 359/407, 408, 409, 410, 411, 419, 421, 422

[56] **References Cited**

**U.S. PATENT DOCUMENTS**

D. 305,433	1/1990	Kobayashi	.....	D16/133
D. 359,973	7/1995	Hayamizu	.....	D16/133
D. 360,215	7/1995	Moro et al.	.....	D16/133
D. 364,631	11/1995	Hamamura	.....	D16/133

D. 376,167	12/1996	Hayamizu	.....	D16/133
D. 377,185	1/1997	Nojima	.....	D16/133
D. 386,770	11/1997	Ryuen et al.	.....	D16/133
D. 394,666	5/1998	Ono	.....	D16/133
D. 395,905	7/1998	Hamamura	.....	D16/133
D. 395,906	7/1998	Konno	.....	D16/133
5,583,692	12/1996	Funatsu	.....	359/413 X

*Primary Examiner*—Paula A. Mortimer  
*Attorney, Agent, or Firm*—William E. Pelton, Esq.

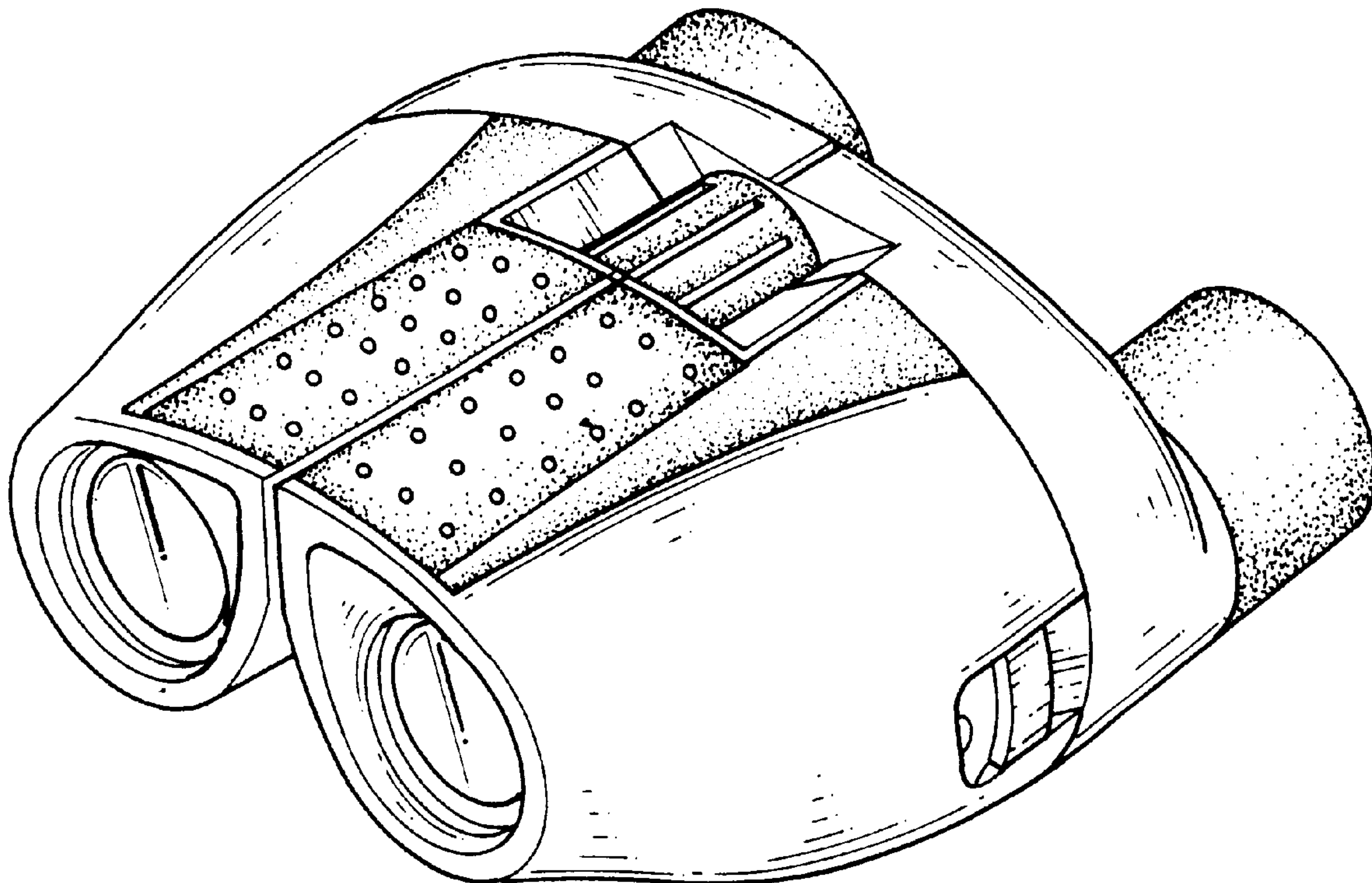
[57] **CLAIM**

The ornamental design for binoculars, as shown.

**DESCRIPTION**

FIG. 1 is a front-right-top perspective view of binoculars showing my new design;  
FIG. 2 is a front elevational view thereof;  
FIG. 3 is a rear elevational view thereof;  
FIG. 4 is a left elevational view thereof;  
FIG. 5 is a right elevational view thereof;  
FIG. 6 is a top plan view thereof; and,  
FIG. 7 is a bottom plan view thereof.

**1 Claim, 4 Drawing Sheets**



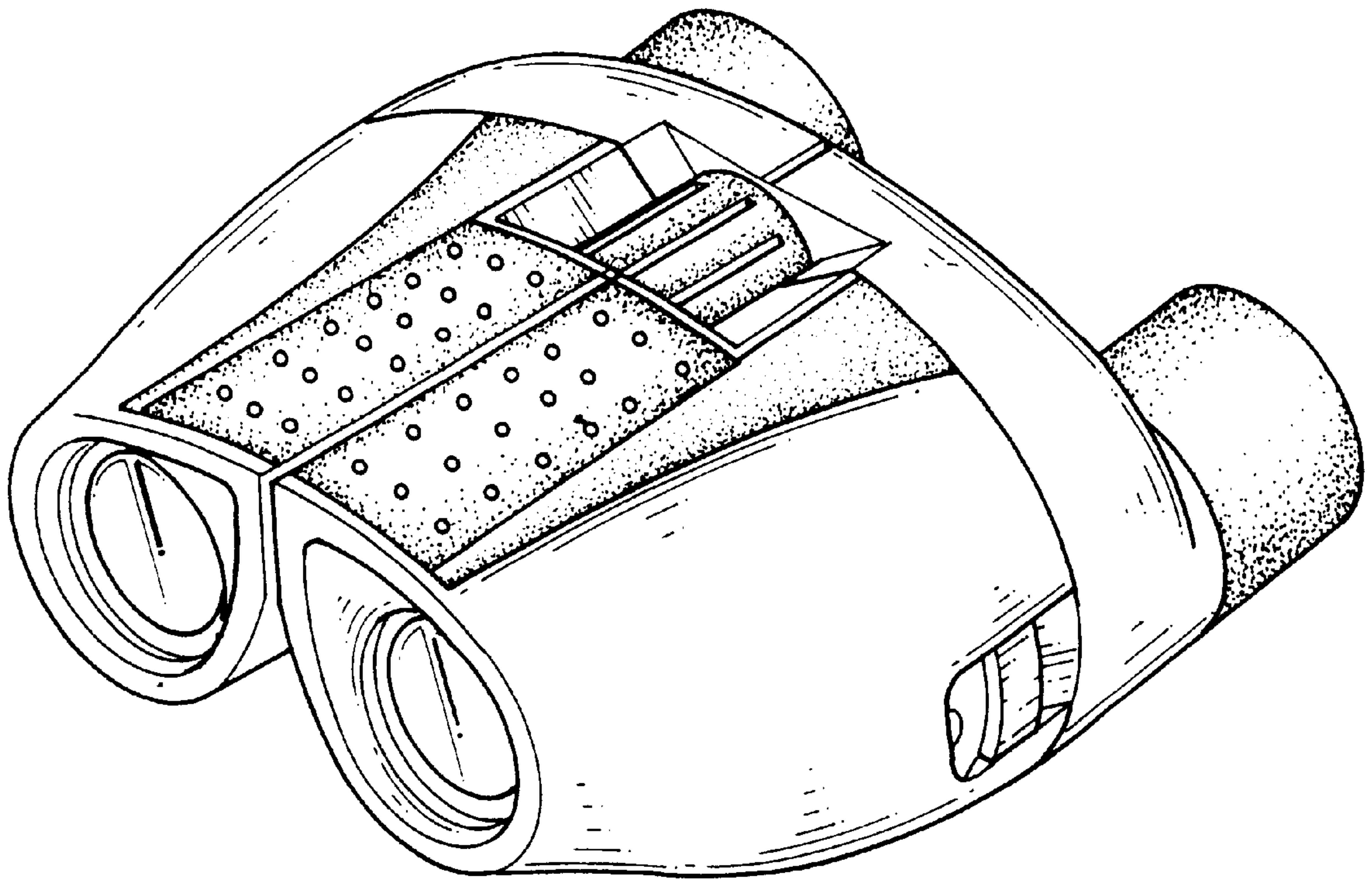


FIG.1

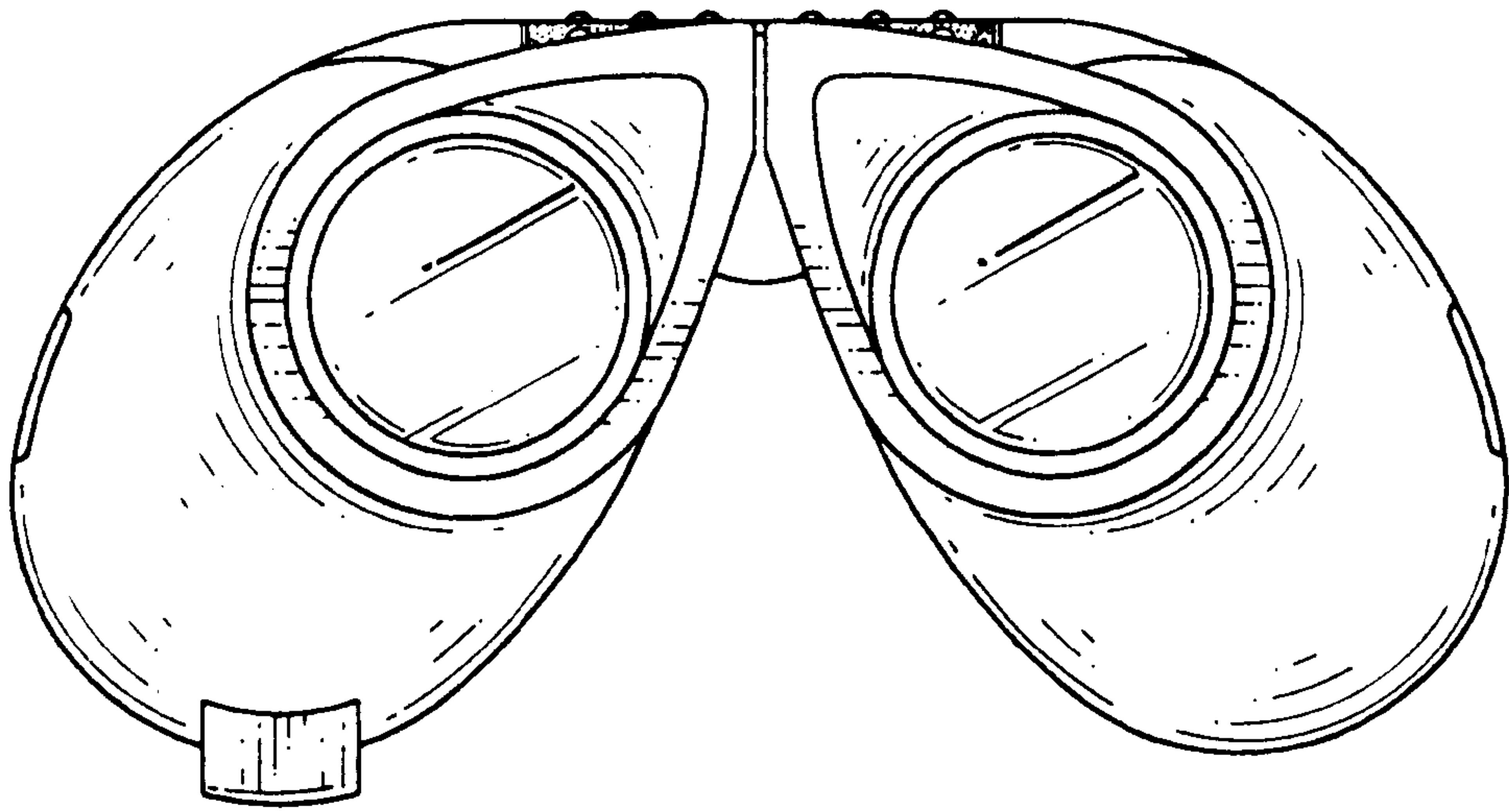


FIG.3

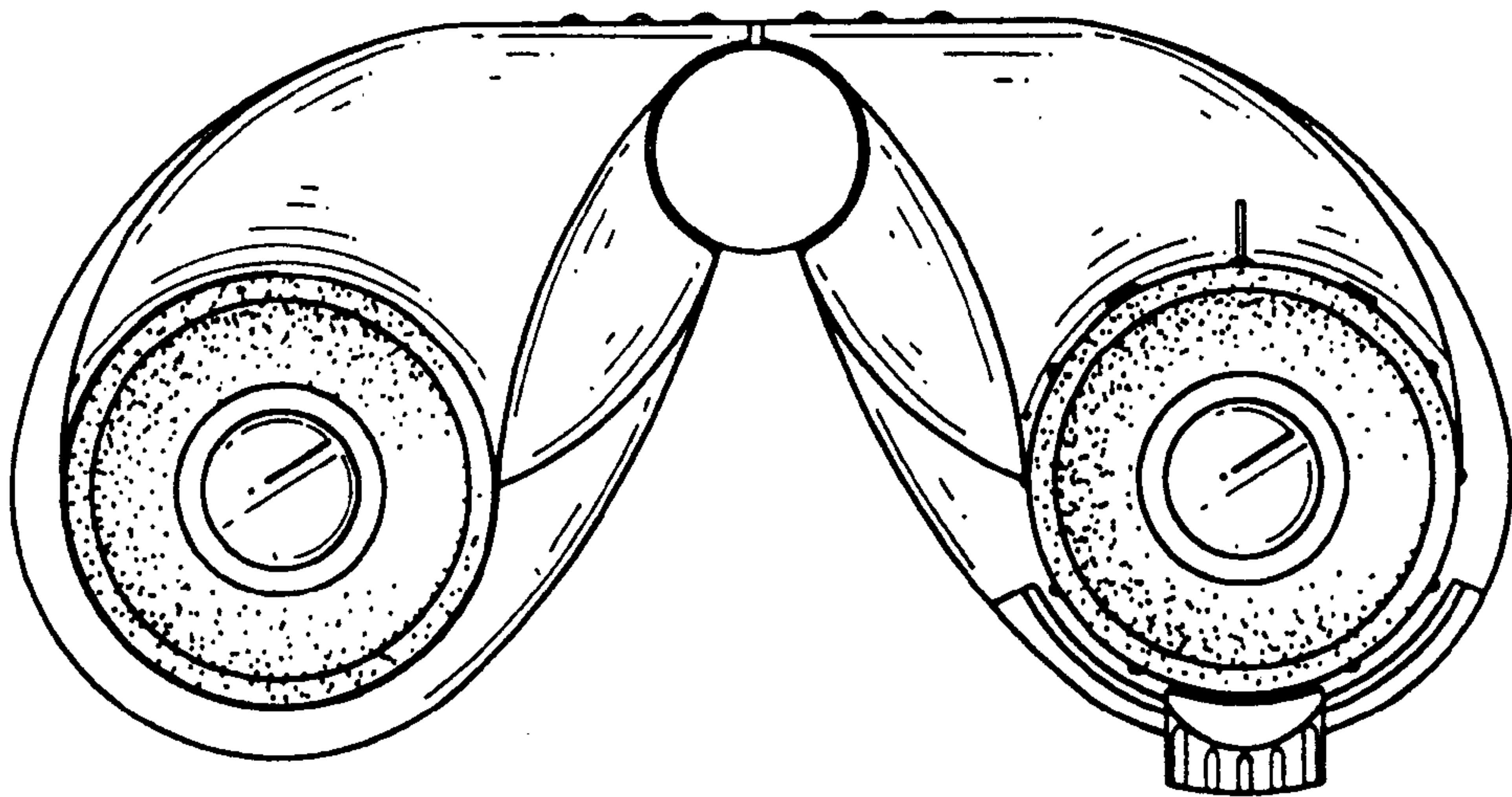


FIG.2



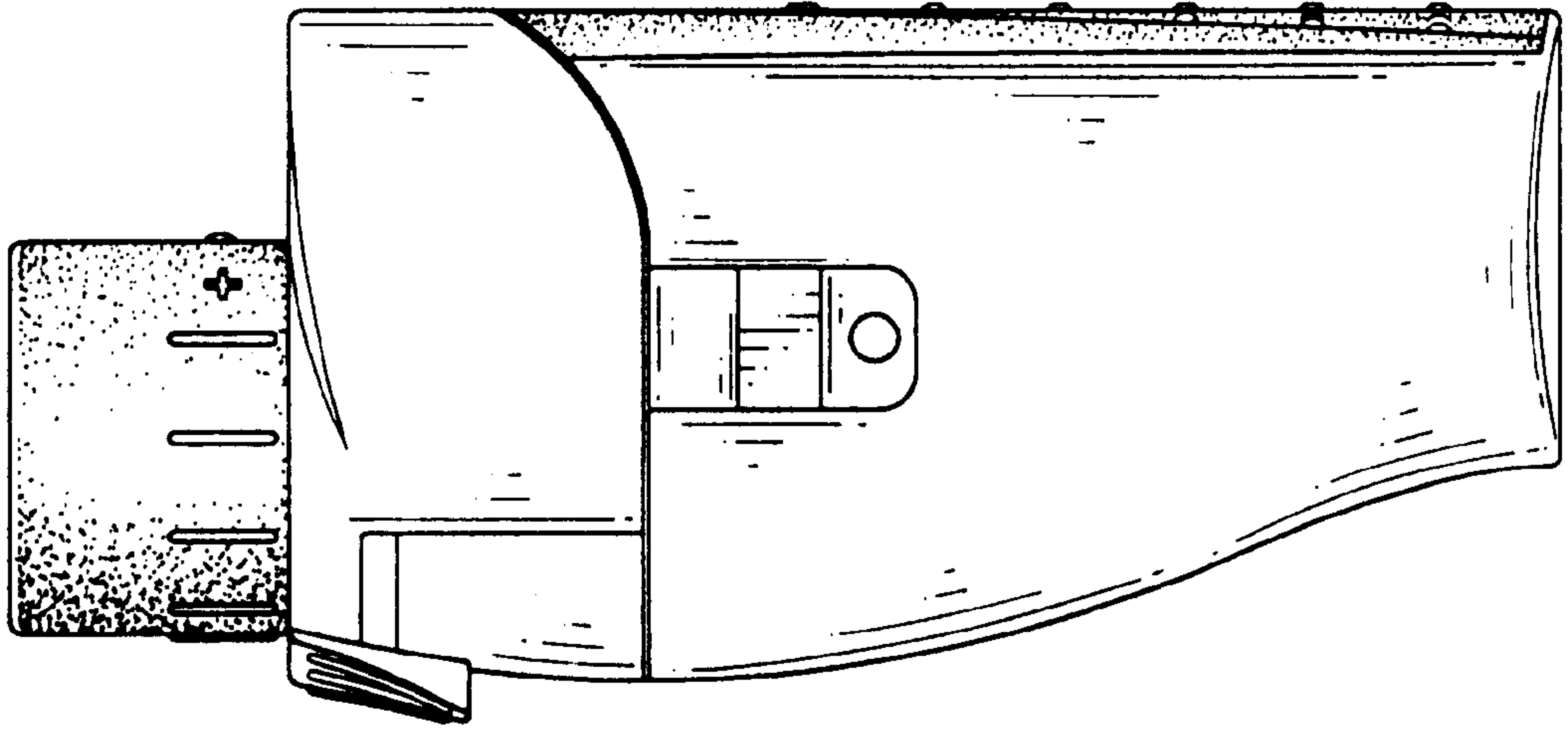


FIG.5

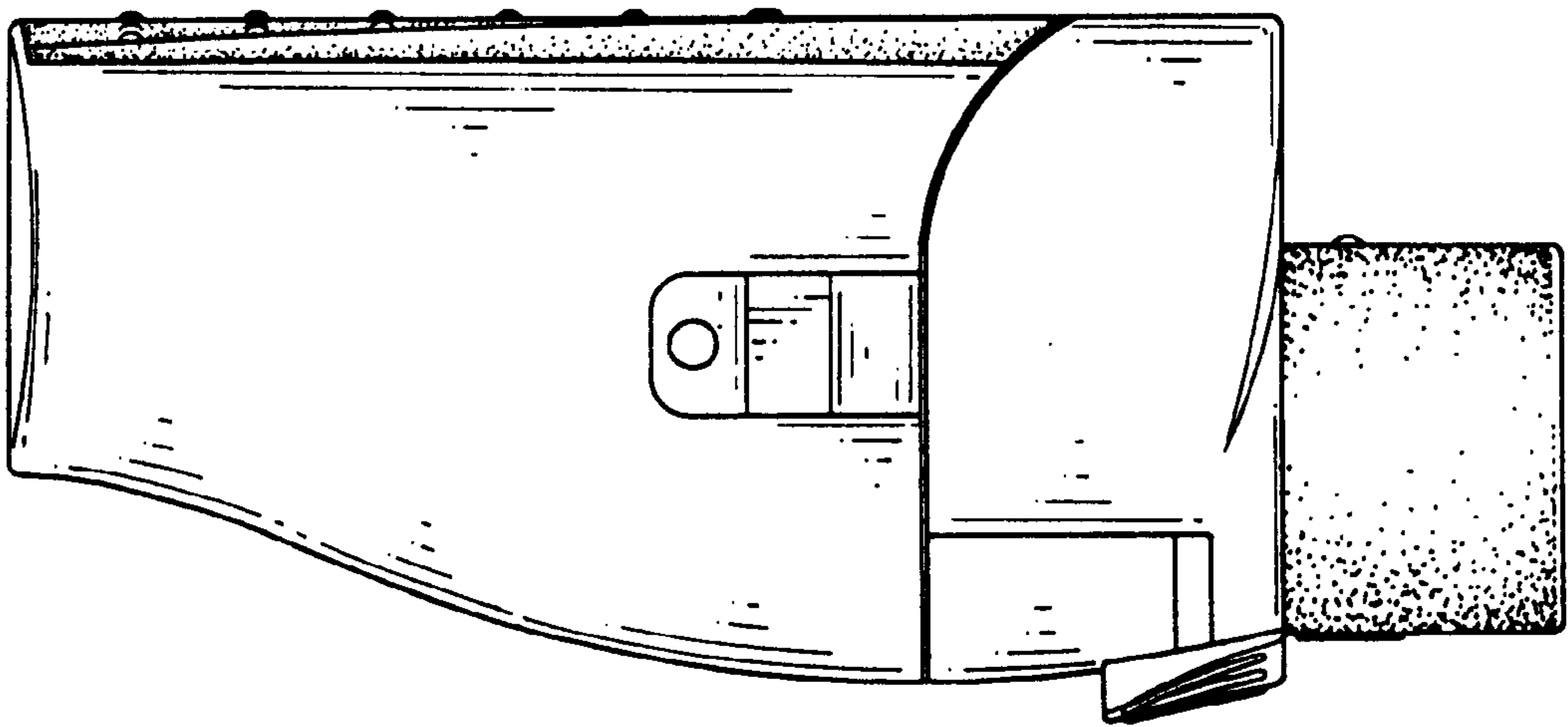


FIG.4

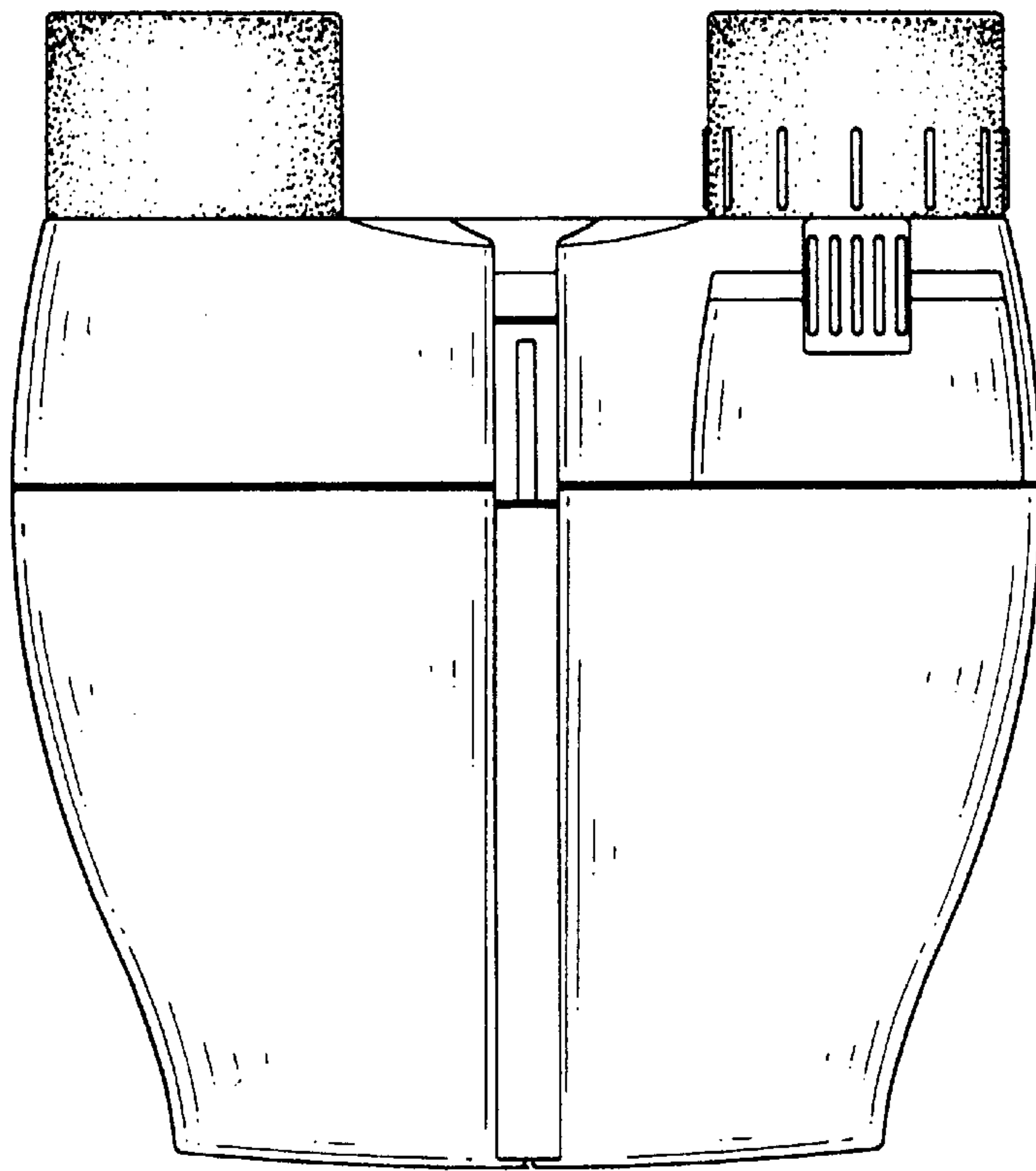


FIG. 7

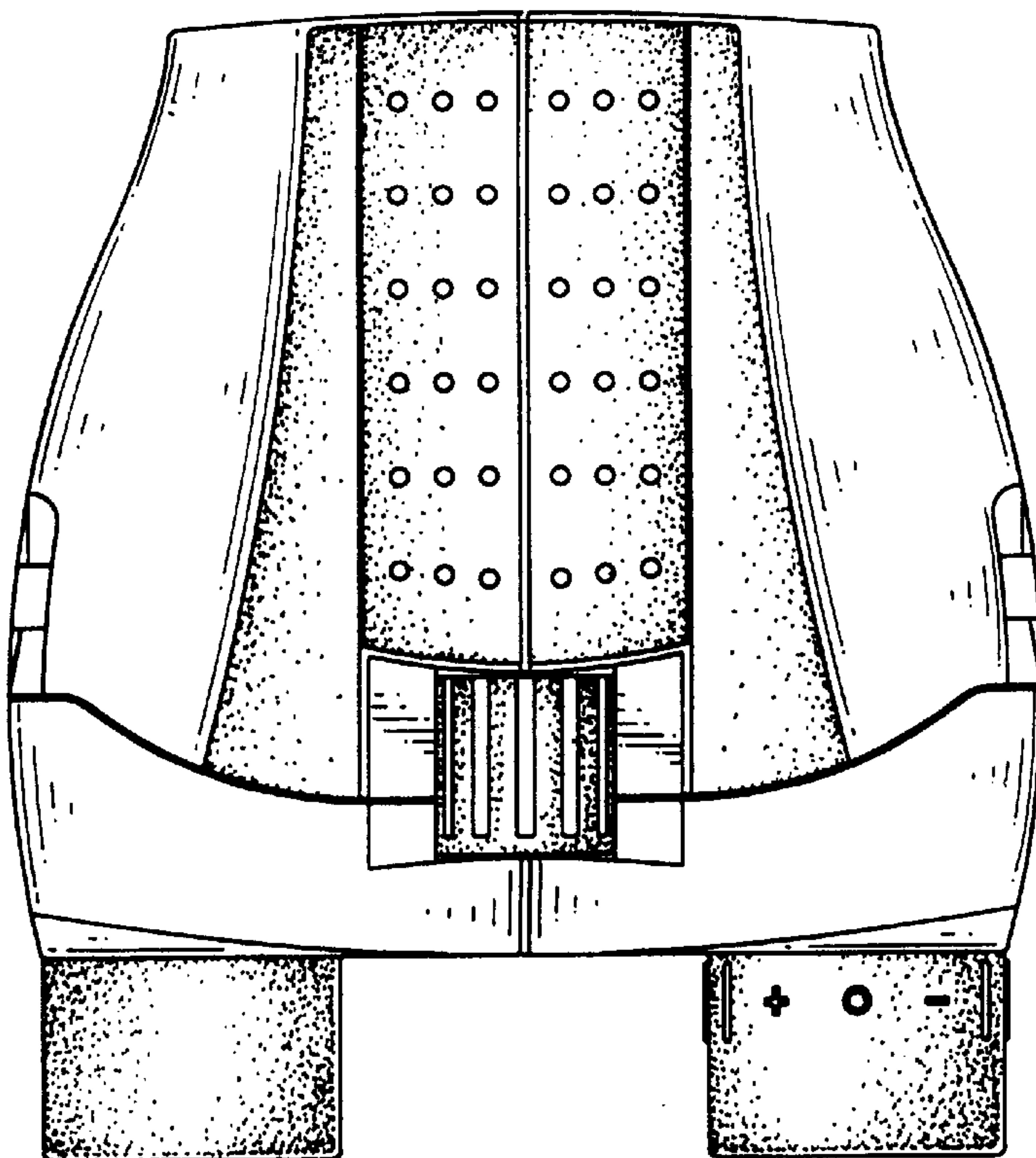


FIG. 6