



US00D427219S

# United States Patent [19]

Stielow et al.

[11] Patent Number: **Des. 427,219**

[45] Date of Patent: **\*\* Jun. 27, 2000**

[54] **SURFACE PATTERN FOR A DANDY ROLL SCREEN**

[75] Inventors: **Richard C. Stielow**, Neenah; **Jeffrey R. Miller**, Appleton; **John E. Gutzwiller**, Neenah; **Kathy A. Merckx**; **Mark R. Kleman**, both of Appleton; **Mark S. Johnston**, Neenah, all of Wis.

[73] Assignee: **The Mead Corporation**, Dayton, Ohio

[\*\*] Term: **14 Years**

[21] Appl. No.: **29/106,803**

[22] Filed: **Jun. 18, 1999**

### Related U.S. Application Data

[63] Continuation of application No. 08/902,539, Jul. 22, 1997, Pat. No. 5,932,071.

[51] **LOC (7) Cl.** ..... **15-99**

[52] **U.S. Cl.** ..... **D15/199**

[58] **Field of Search** ..... D15/123, 126, D15/138, 199; 162/314, 110, 296, 308, 312, 313; 492/32

### [56] References Cited

#### U.S. PATENT DOCUMENTS

- D. 38,587 5/1907 Phelps .
- D. 127,467 5/1941 Sherman .

- D. 181,432 11/1957 Murray .
- D. 185,622 7/1959 Berg .
- 353,666 12/1886 Crane, Jr. .
- D. 369,361 4/1996 Satake ..... D15/131
- D. 401,249 11/1998 Kawakita ..... D15/133
- D. 404,423 1/1999 Stielow et al. .
- 1,571,715 2/1926 Fearing .
- 1,616,222 2/1927 Harrigan .
- 2,998,846 9/1961 Hornbostel .
- 4,462,867 7/1984 Fuller .
- 4,526,652 7/1985 Waters ..... 162/314
- 5,100,512 3/1992 Waters .

*Primary Examiner*—Antoine Duval Davis  
*Attorney, Agent, or Firm*—Thompson Hine & Flory LLP

### [57] CLAIM

The ornamental design for a surface pattern for a dandy roll screen, as shown and described.

### DESCRIPTION

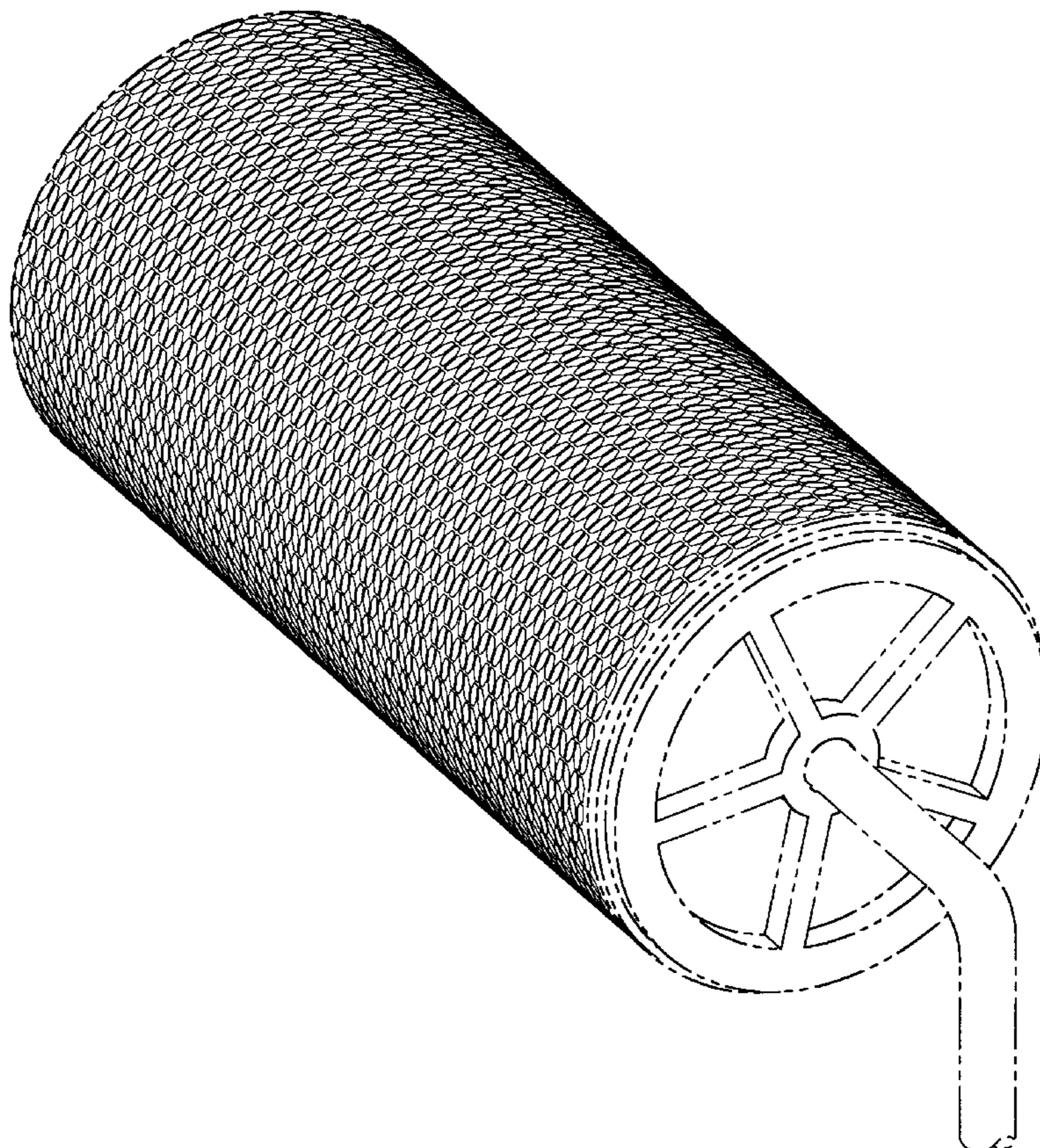
FIG. 1 is a perspective view of a screen embodying our new design and applied to a dandy roll;

FIG. 2 is an enlarged view of a segment of the screen of FIG. 1 embodying our new design; and,

FIG. 3 is a cross-sectional view of a portion of the screen segment shown in FIG. 2.

The broken lines shown in FIG. 1 of the drawings are for illustrative purposes only and the subject matter depicted thereby constitutes no part of the claimed design.

**1 Claim, 2 Drawing Sheets**





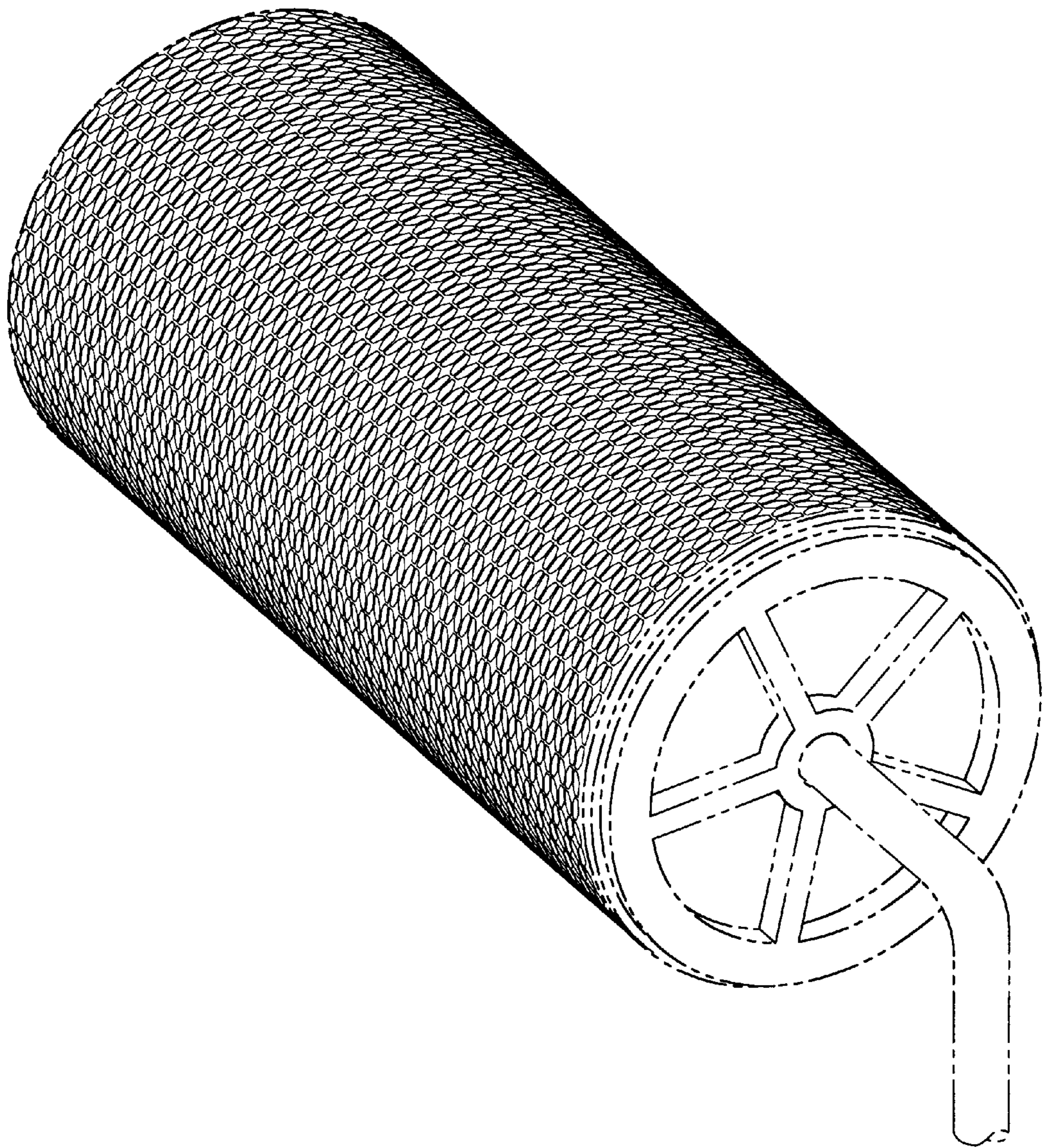


FIG. 1

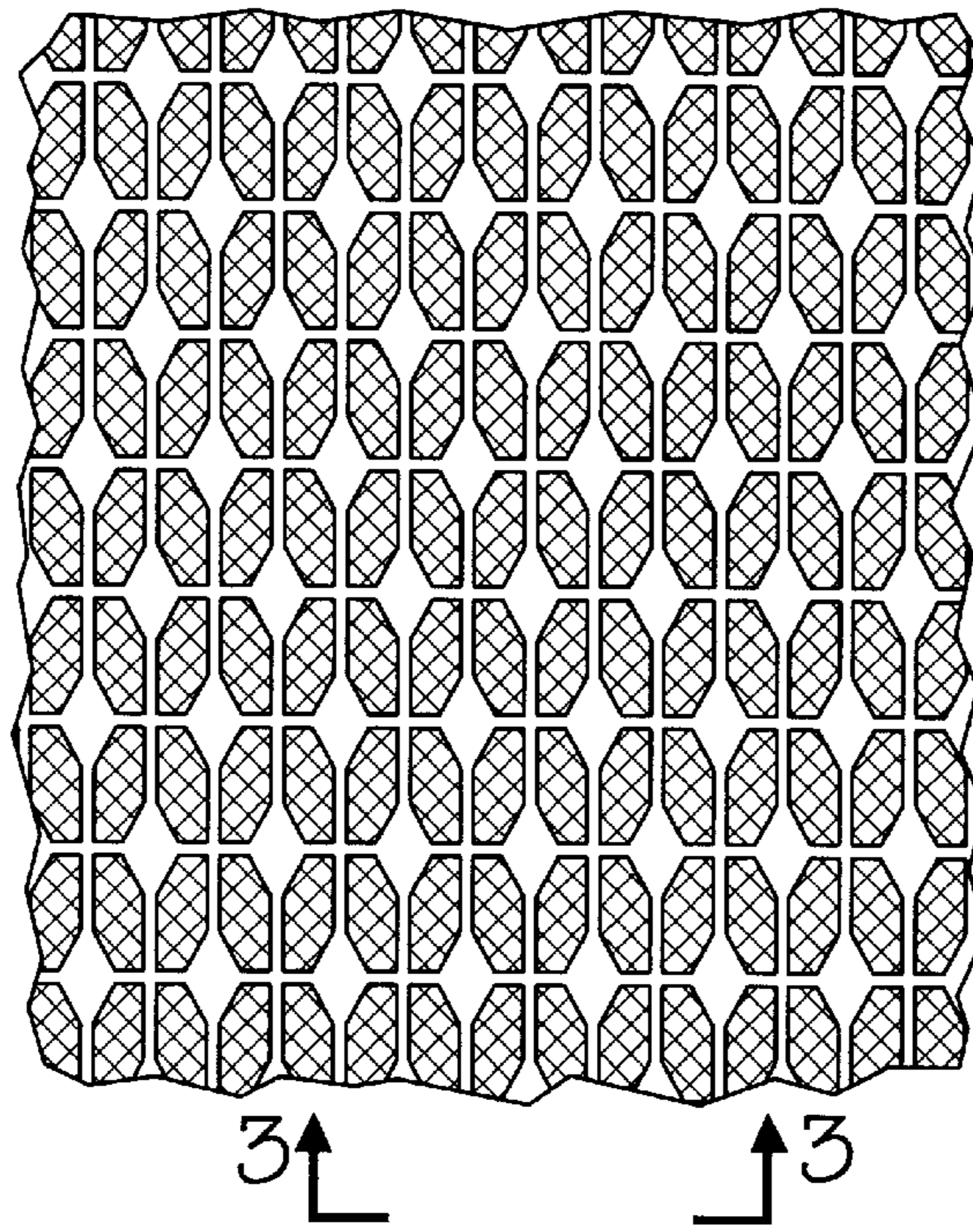


FIG. 2



FIG. 3