



US00D427218S

United States Patent [19] Jordan

[11] **Patent Number: Des. 427,218**

[45] **Date of Patent: ** Jun. 27, 2000**

[54] **AIRBOAT TRANSMISSION HOUSING**

[75] Inventor: **W. Bishop Jordan**, Maitland, Fla.

[73] Assignee: **Louis A. Bell**, Rockledge, Fla.; a part interest

[**] Term: **14 Years**

[21] Appl. No.: **29/095,385**

[22] Filed: **Oct. 22, 1998**

Related U.S. Application Data

[63] Continuation-in-part of application No. 09/133,583, Aug. 13, 1998.

[51] **LOC (7) Cl.** **15-01**

[52] **U.S. Cl.** **D15/149; D15/5**

[58] **Field of Search** **D15/1, 4, 149; 440/84; 74/609, 606 R; 224/230**

[56] References Cited

U.S. PATENT DOCUMENTS

D. 324,866	3/1992	Pleet et al. .	
D. 343,180	1/1994	Monagan	D15/5
D. 350,358	9/1994	Kaye .	
D. 356,094	3/1995	Curtis	D15/5
D. 368,919	4/1996	Lannoch	D15/5
D. 377,657	1/1997	Winters, Sr.	D15/149
422,620	10/1890	Morisawa et al.	74/606 R
1,813,819	7/1931	Ross .	
3,727,483	4/1973	Hanson et al. .	

Primary Examiner—Ralf Seifert

Attorney, Agent, or Firm—Allen, Dyer, Doppelt, Milbrath & Gilchrist, P. A.

[57] CLAIM

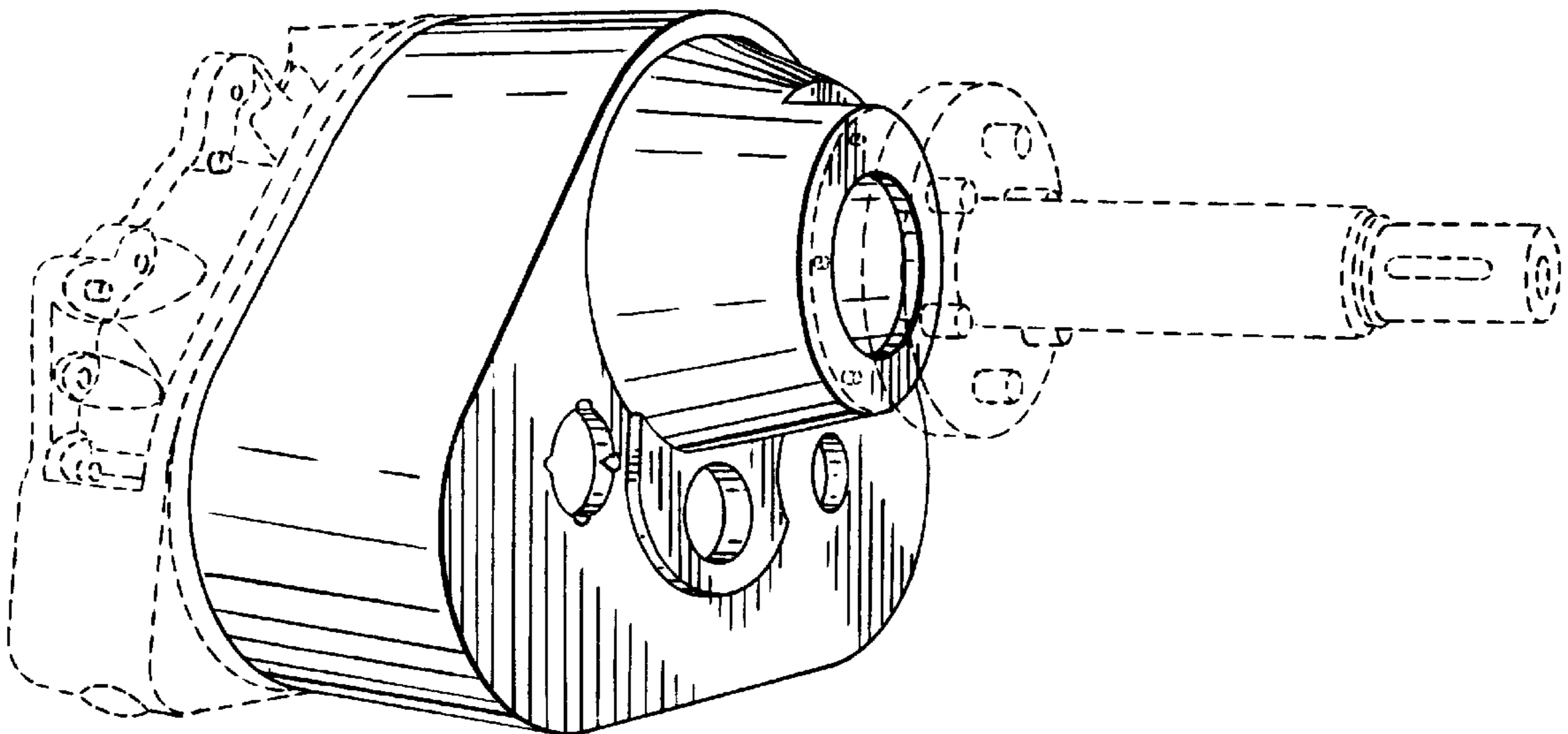
The ornamental design for an airboat transmission housing, as shown and described.

DESCRIPTION

FIG. 1 is a left, rear perspective view of the airboat transmission housing showing my new design; FIG. 2 is a bottom plan view thereof; FIG. 3 is a rear elevation view thereof; FIG. 4 is a top plan view thereof; FIG. 5 is a left perspective view thereof; FIG. 6 is a right perspective view thereof; FIG. 7 is a front interior view thereof; FIG. 8 is a left, rear perspective view of an alternate embodiment of an airboat transmission housing; FIG. 9 is a bottom plan view of the embodiment of FIG. 8; FIG. 10 is a rear elevation view of the embodiment of FIG. 8; FIG. 11 is a top plan view of the embodiment of FIG. 8; FIG. 12 is a left perspective view of the embodiment of FIG. 8; FIG. 13 is a p right perspective view of the embodiment of FIG. 8; and, FIG. 14 is a front interior view of the embodiment of FIG. 8.

The broken lines shown in FIGS. 1 and 8 are illustrative of environment structure only and form no part of the claimed design.

1 Claim, 4 Drawing Sheets



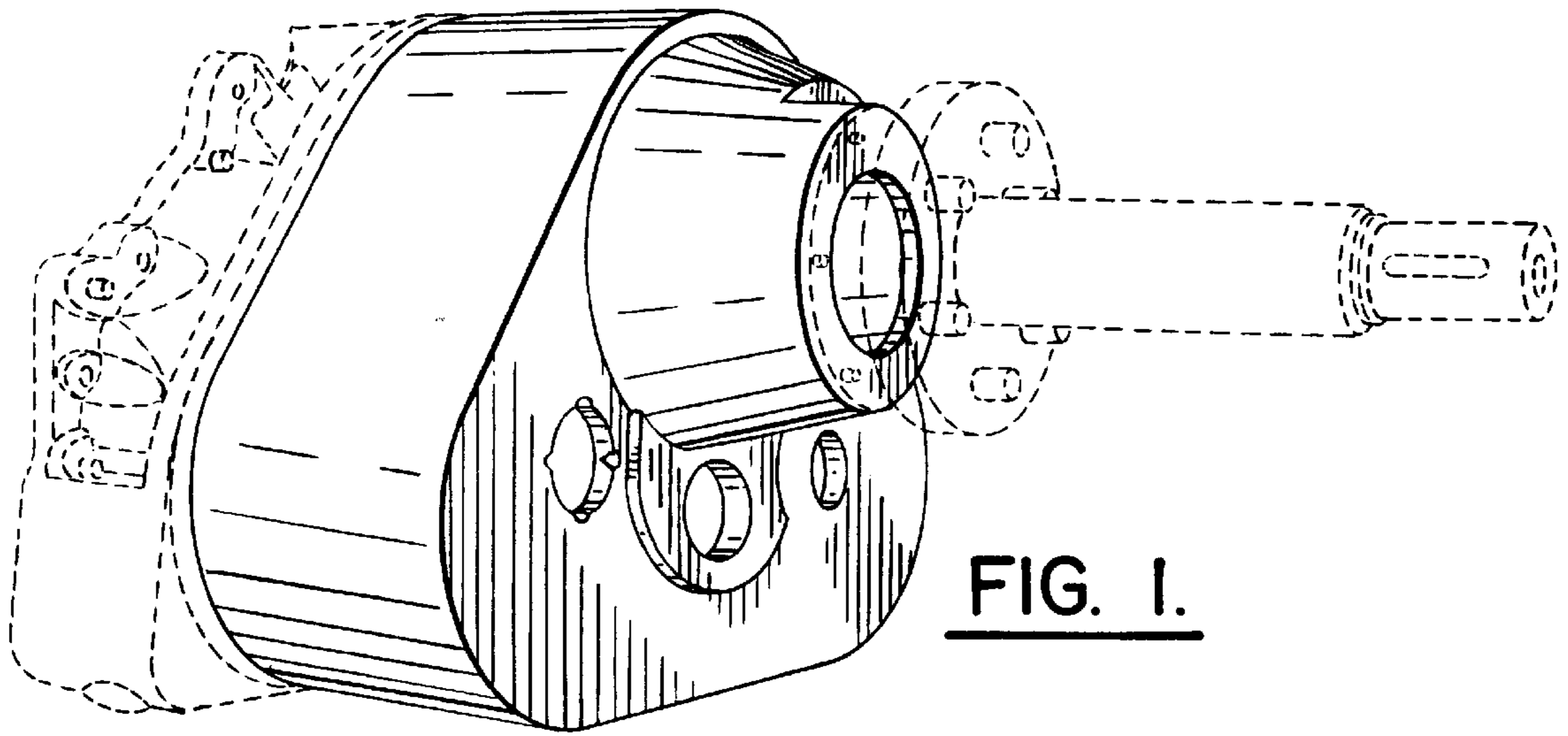


FIG. 1.

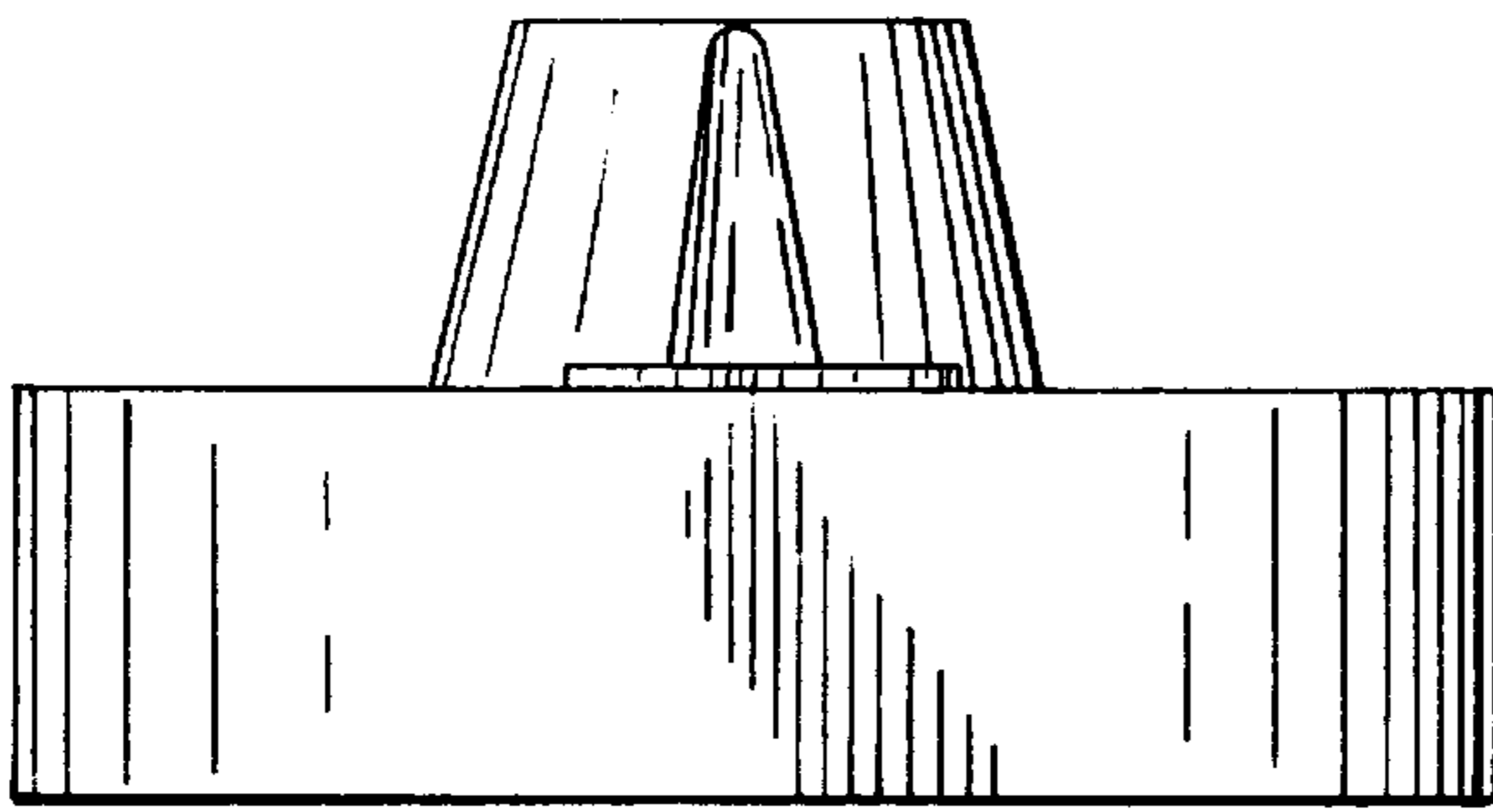


FIG. 2.

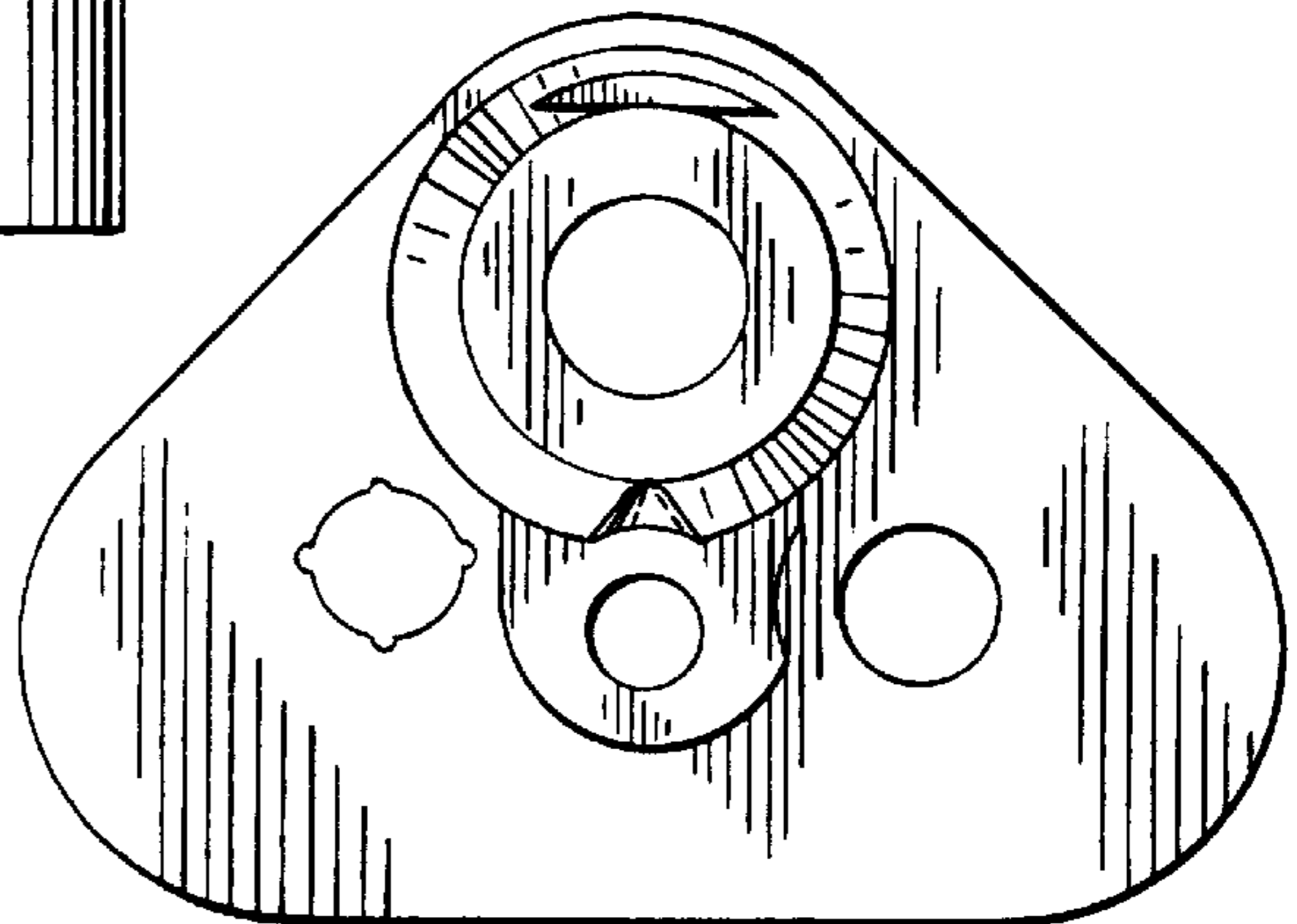


FIG. 3.

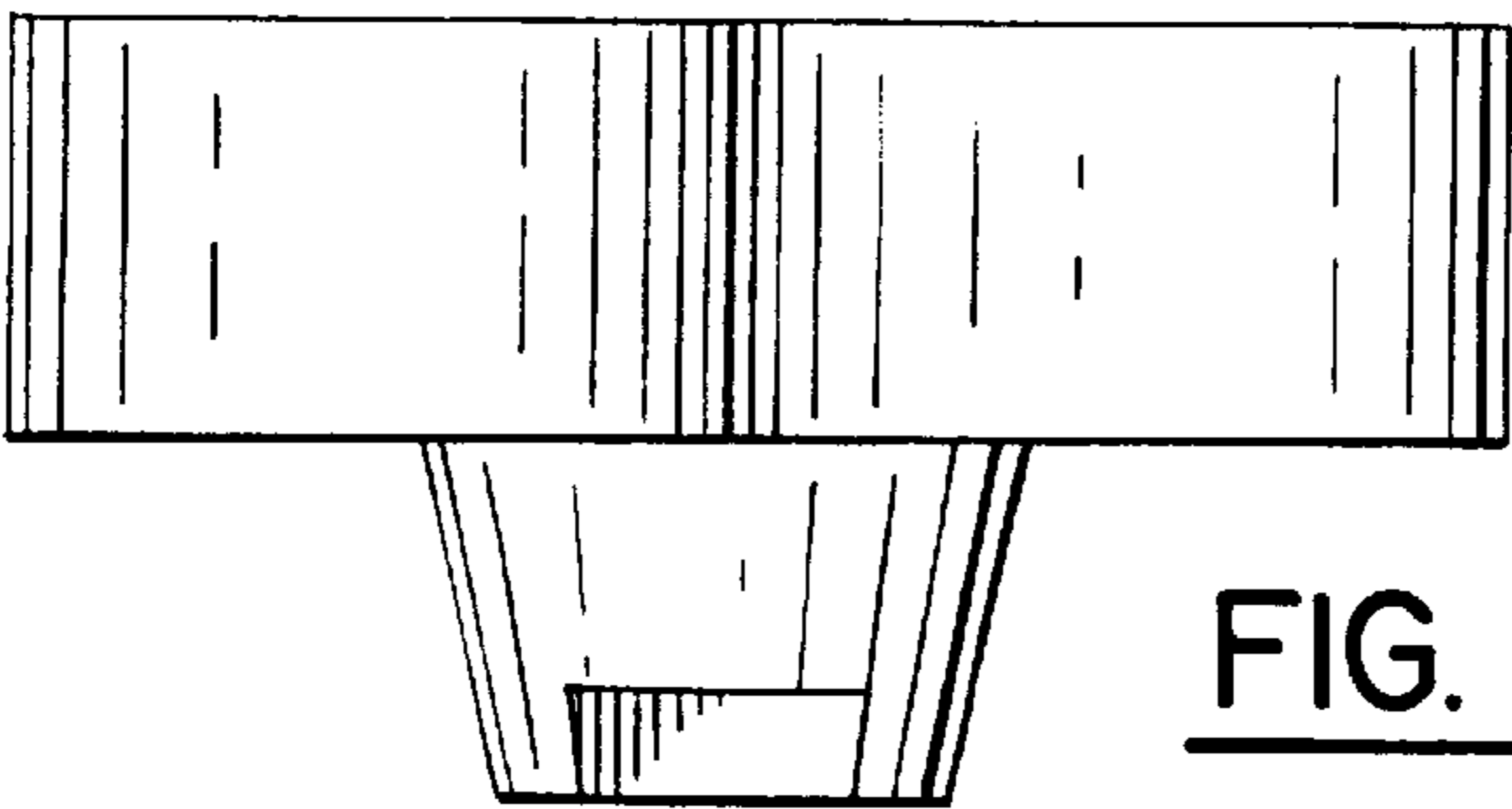


FIG. 4.

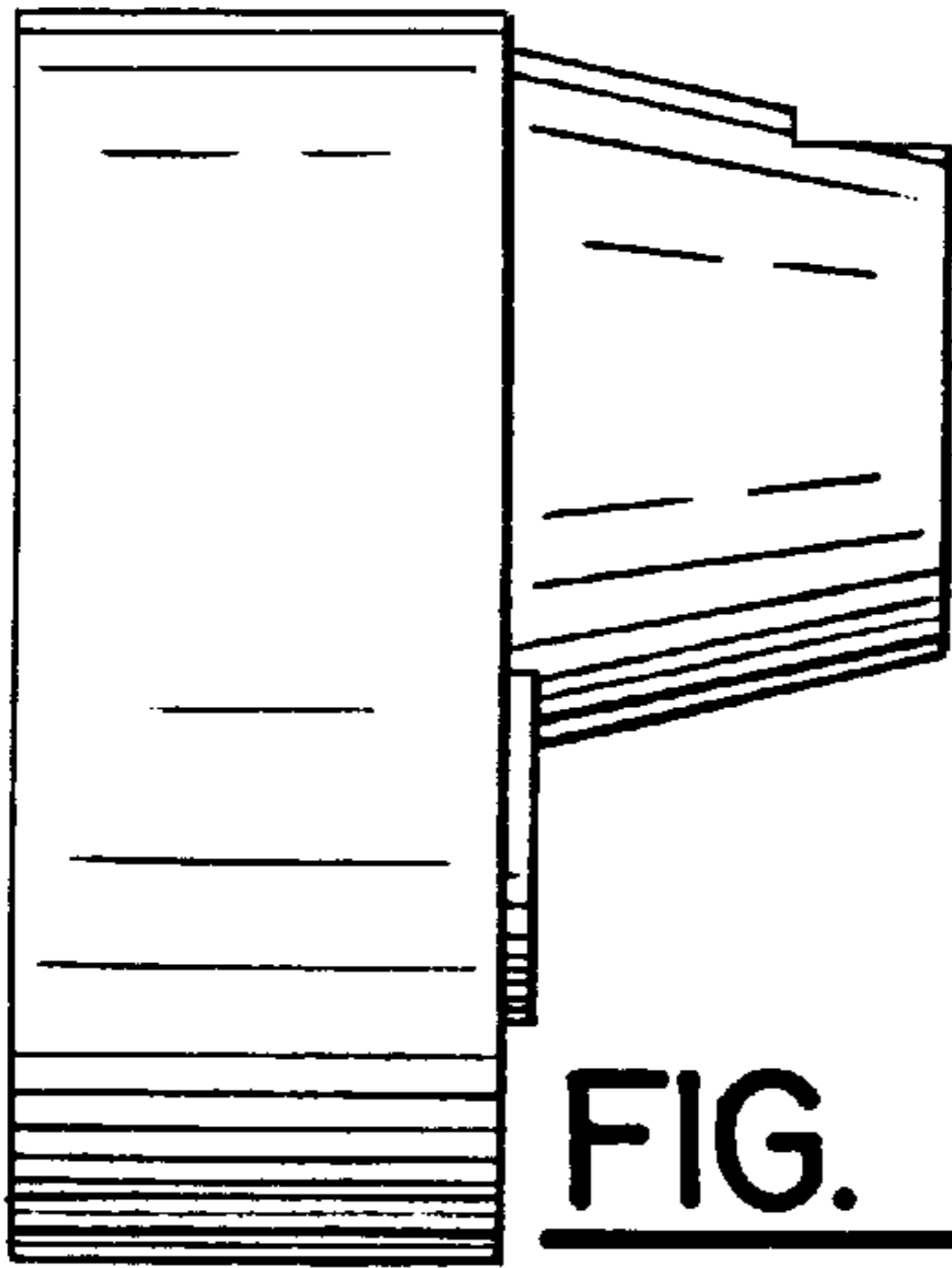


FIG. 5.

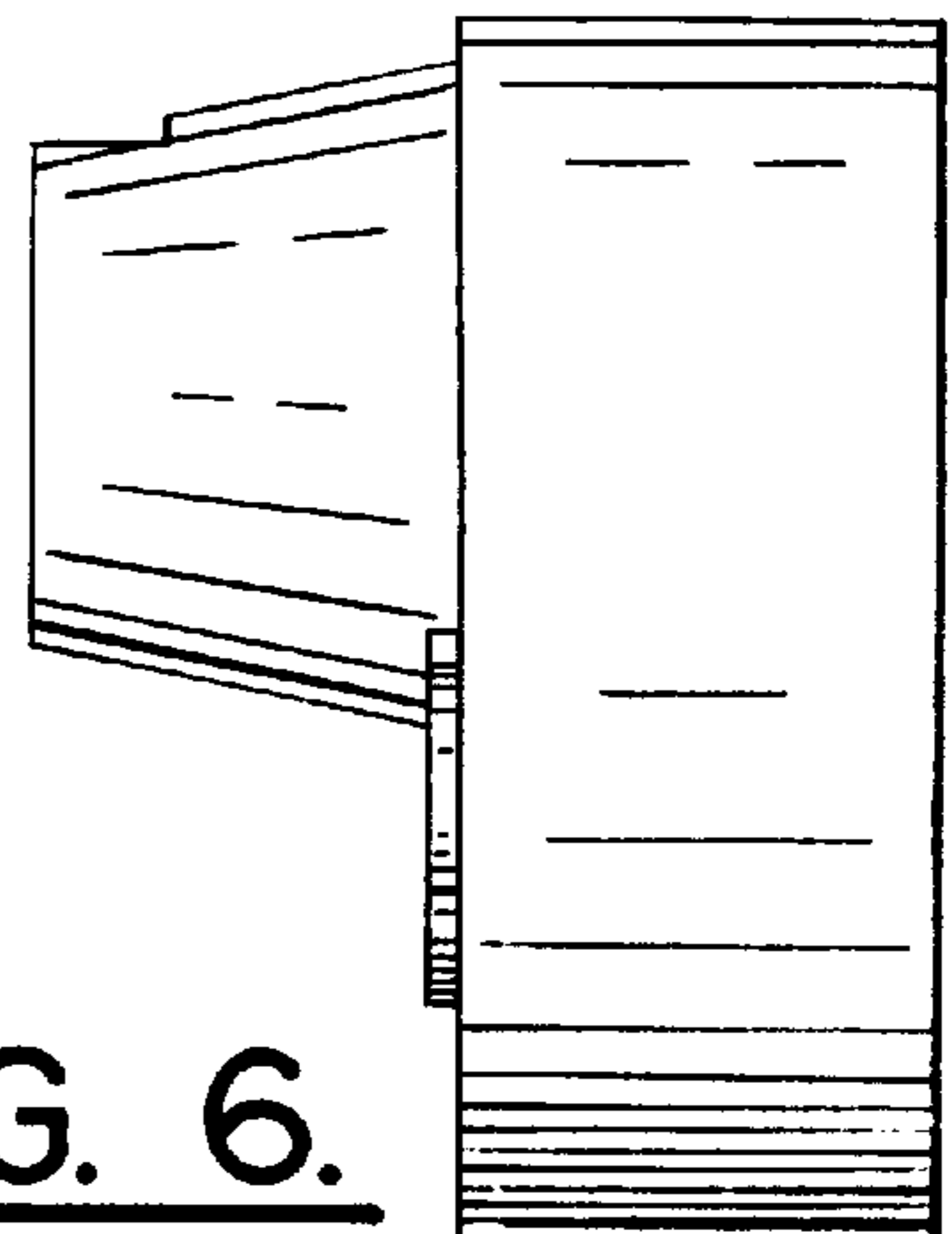


FIG. 6.

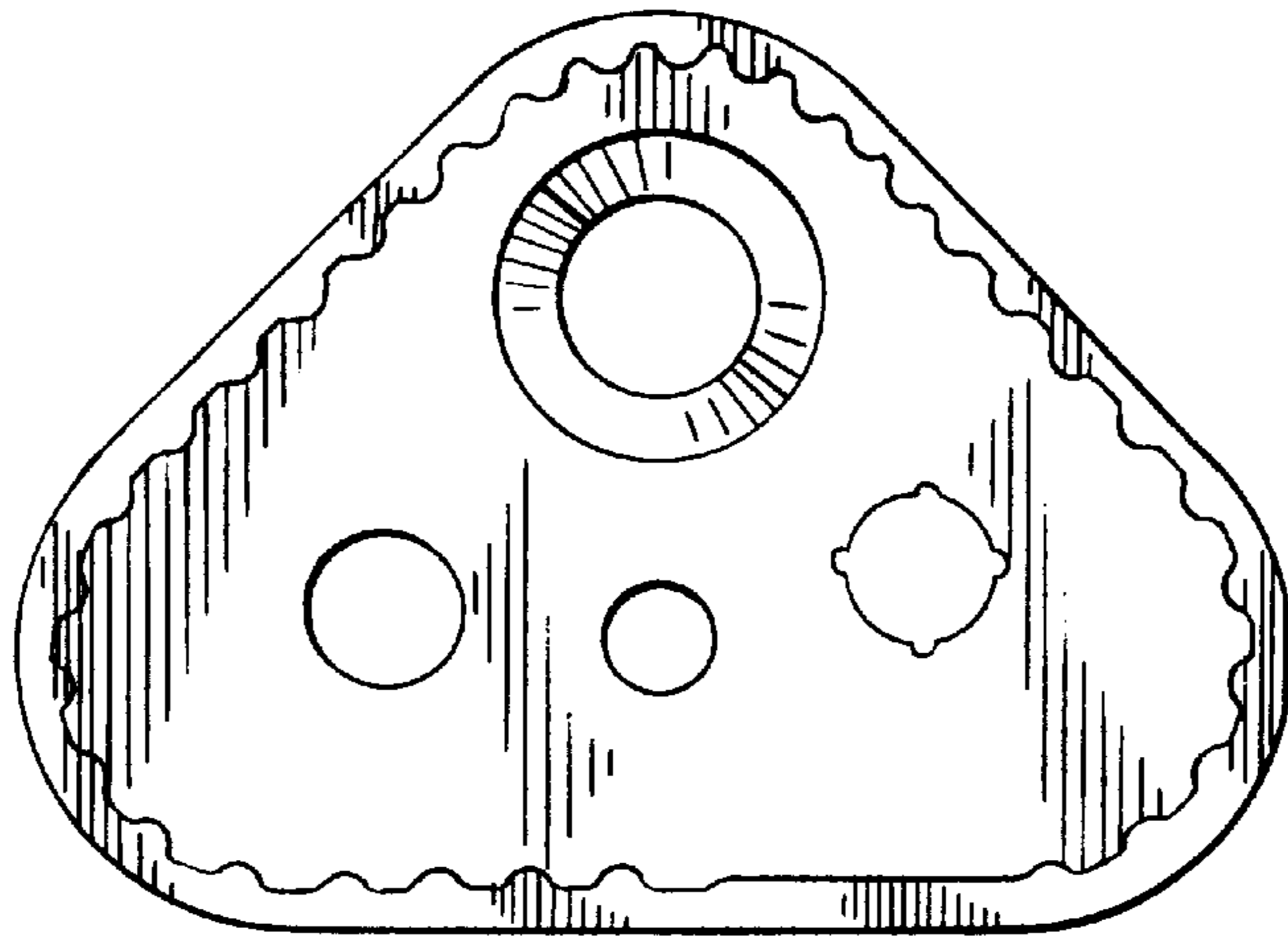


FIG. 7.

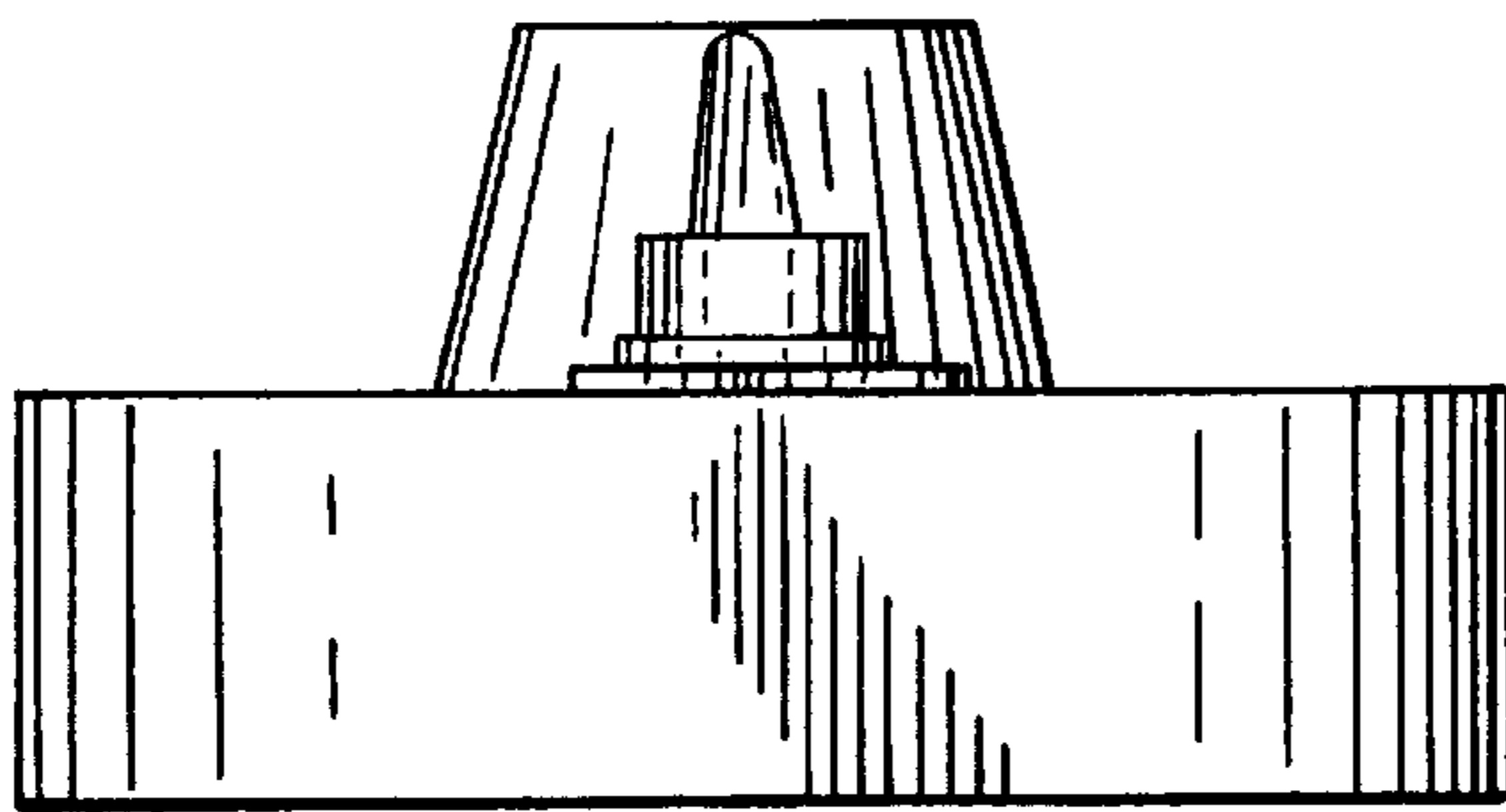
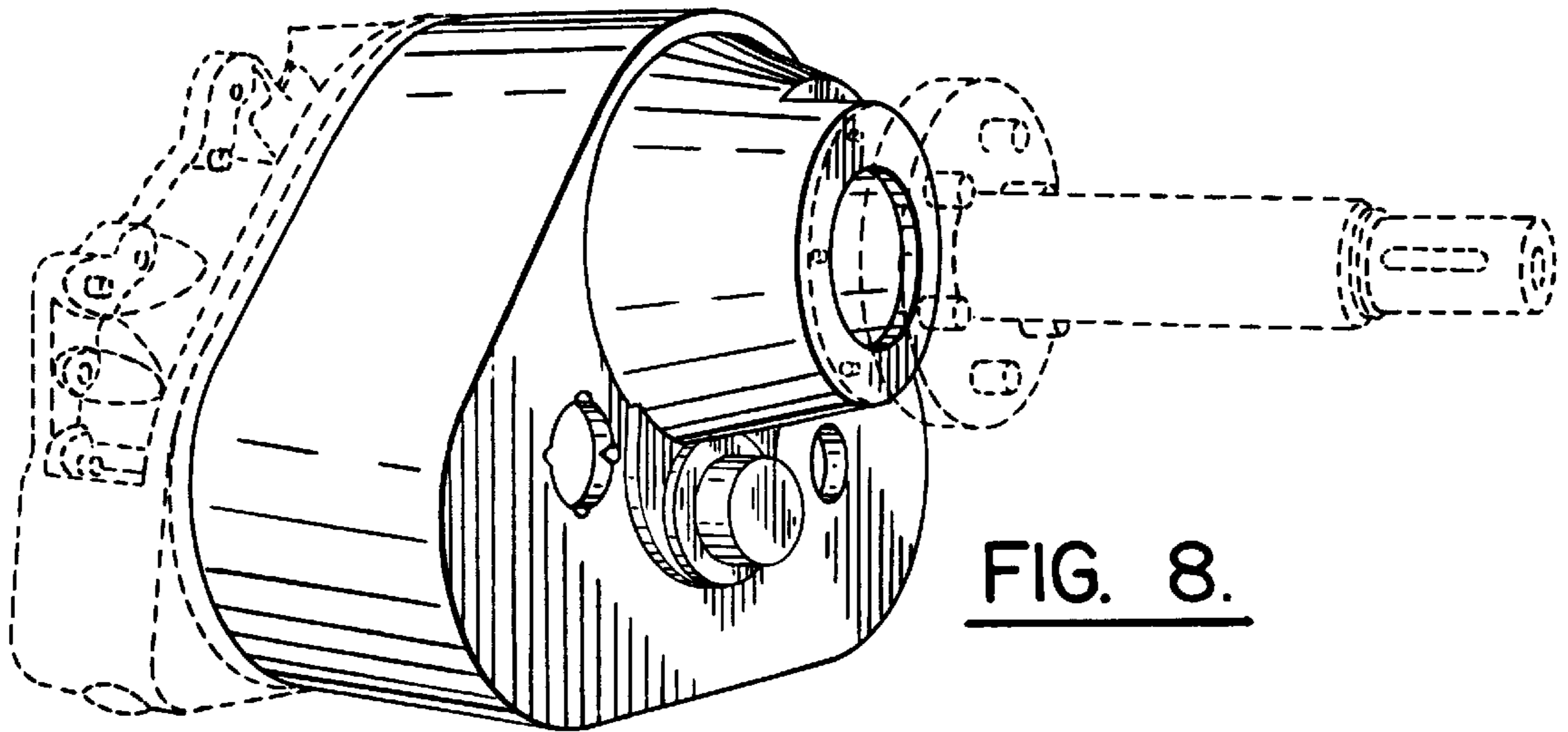


FIG. 9.

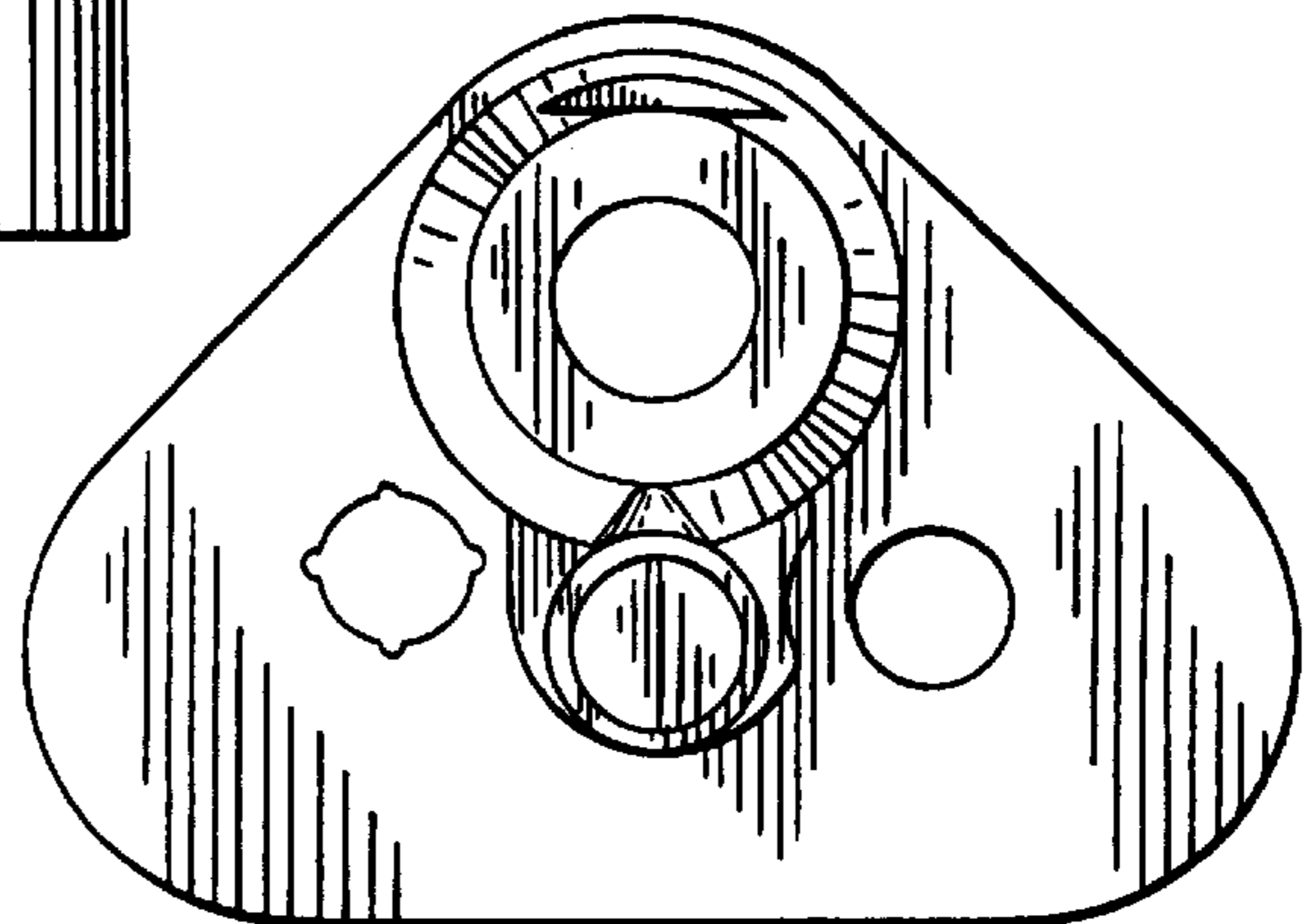


FIG. 10.

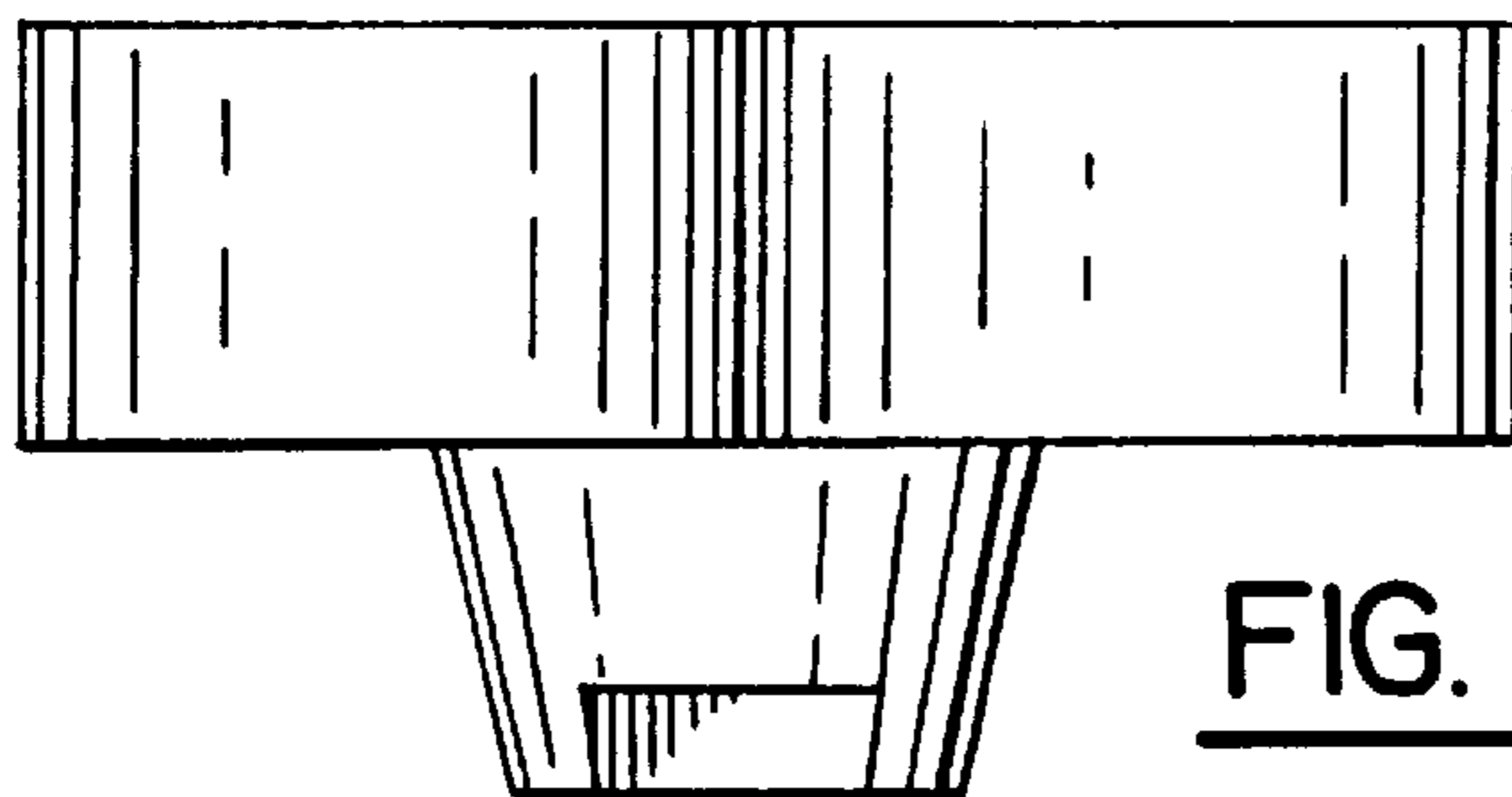


FIG. 11.

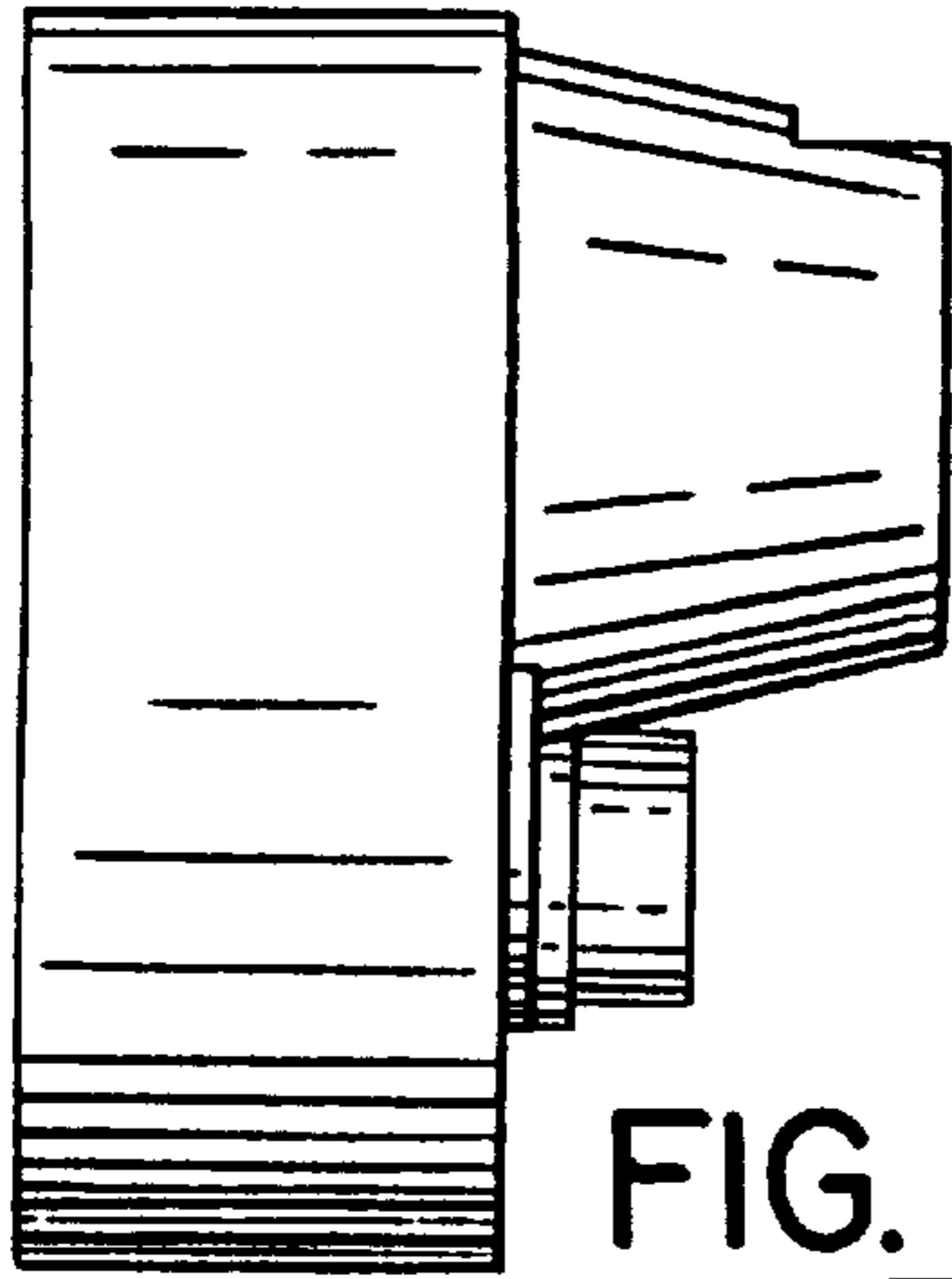


FIG. 12.

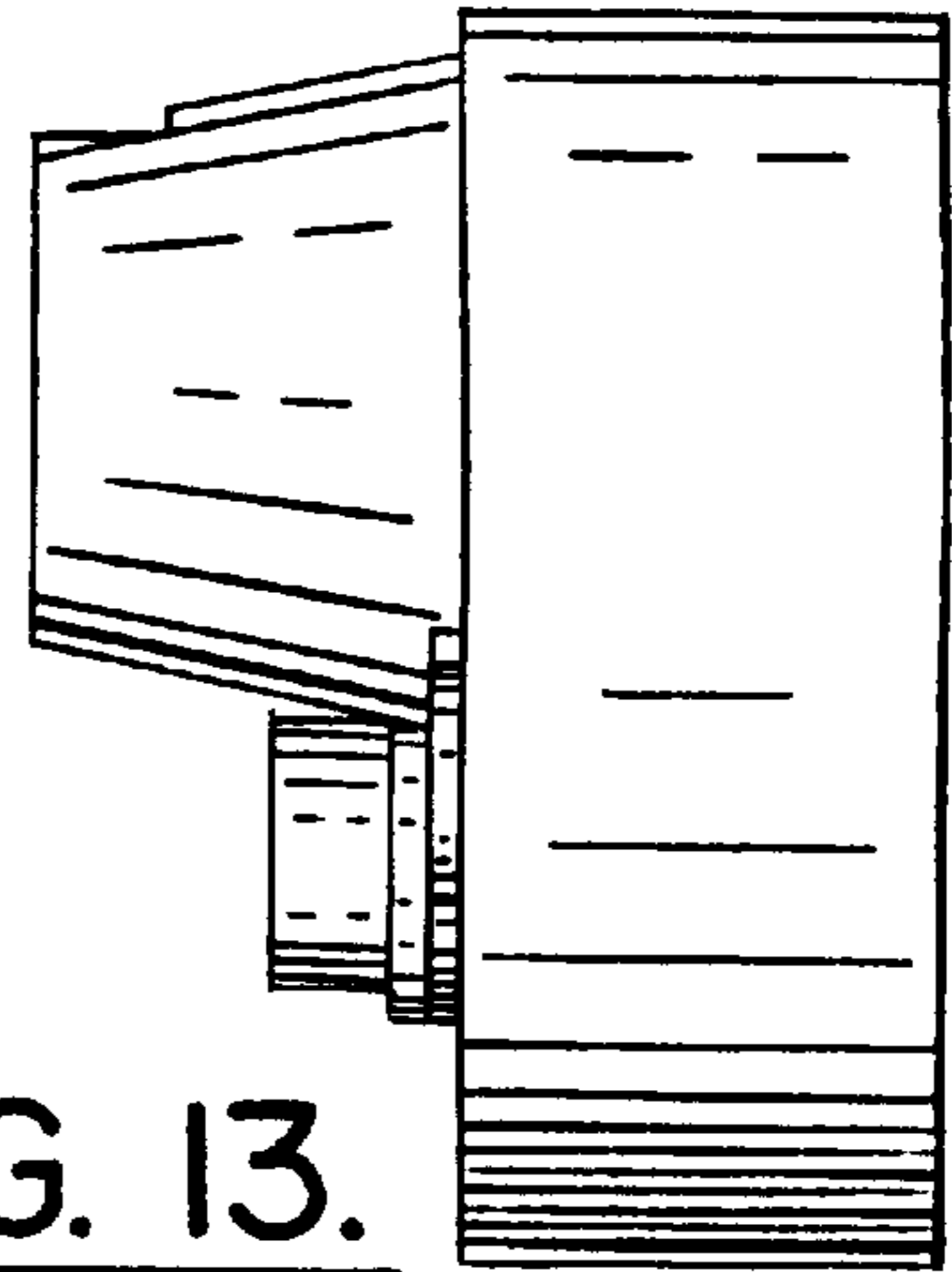


FIG. 13.

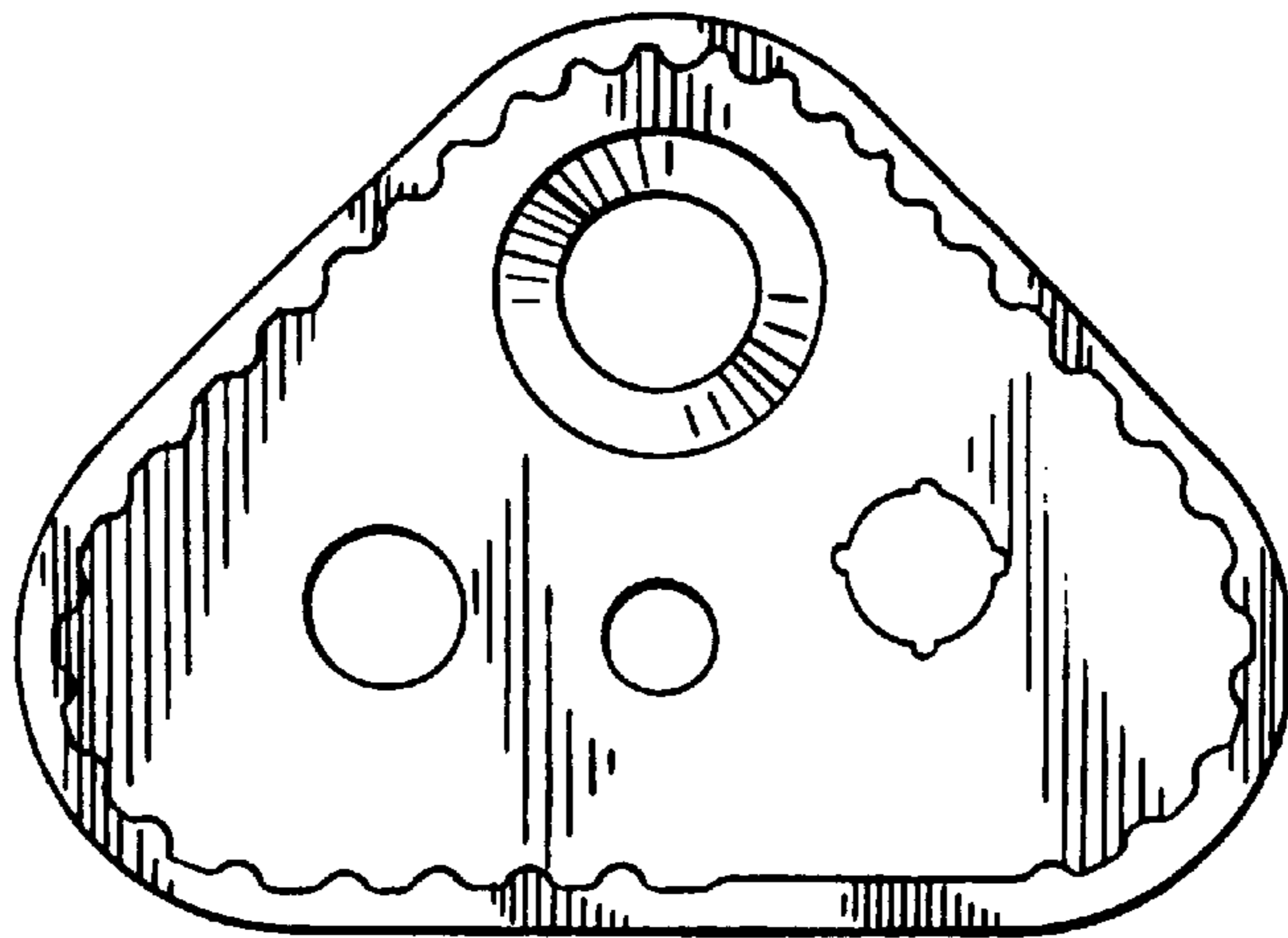


FIG. 14.