



US00D427217S

United States Patent [19]
Ostling

[11] **Patent Number: Des. 427,217**
[45] **Date of Patent: ** Jun. 27, 2000**

[54] **BEARING HOUSING**
[75] Inventor: **Sture Ostling**, Katrineholm, Sweden
[73] Assignee: **SKF Mekan AB**, Sweden
[**] Term: **14 Years**
[21] Appl. No.: **29/072,069**
[22] Filed: **Jun. 6, 1997**
[51] **LOC (7) Cl. 15-09**
[52] **U.S. Cl. D15/143**
[58] **Field of Search D15/143; 384/412, 384/428, 537**

5,836,702 11/1998 Whiddon et al. 384/412

Primary Examiner—Antoine Duval Davis
Attorney, Agent, or Firm—Eugene E. Renz, Jr., PC

[57] **CLAIM**

The ornamental design for a bearing housing, as shown and described.

DESCRIPTION

FIG. 1 is a top perspective view of my design for bearing housing;
FIG. 2 is a front view of my design for bearing housing;
FIG. 3 is a bottom perspective view of my design for bearing housing;
FIG. 4 is a plan view showing my new design for bearing housing from the bottom thereof; and,
FIG. 5 is a plan view showing my design for bearing housing from above.

[56] **References Cited**
U.S. PATENT DOCUMENTS
D. 32,591 4/1900 Pessano D15/143
D. 269,786 7/1983 Ostling D15/143
D. 376,160 12/1996 Waskiewicz D15/143

1 Claim, 4 Drawing Sheets

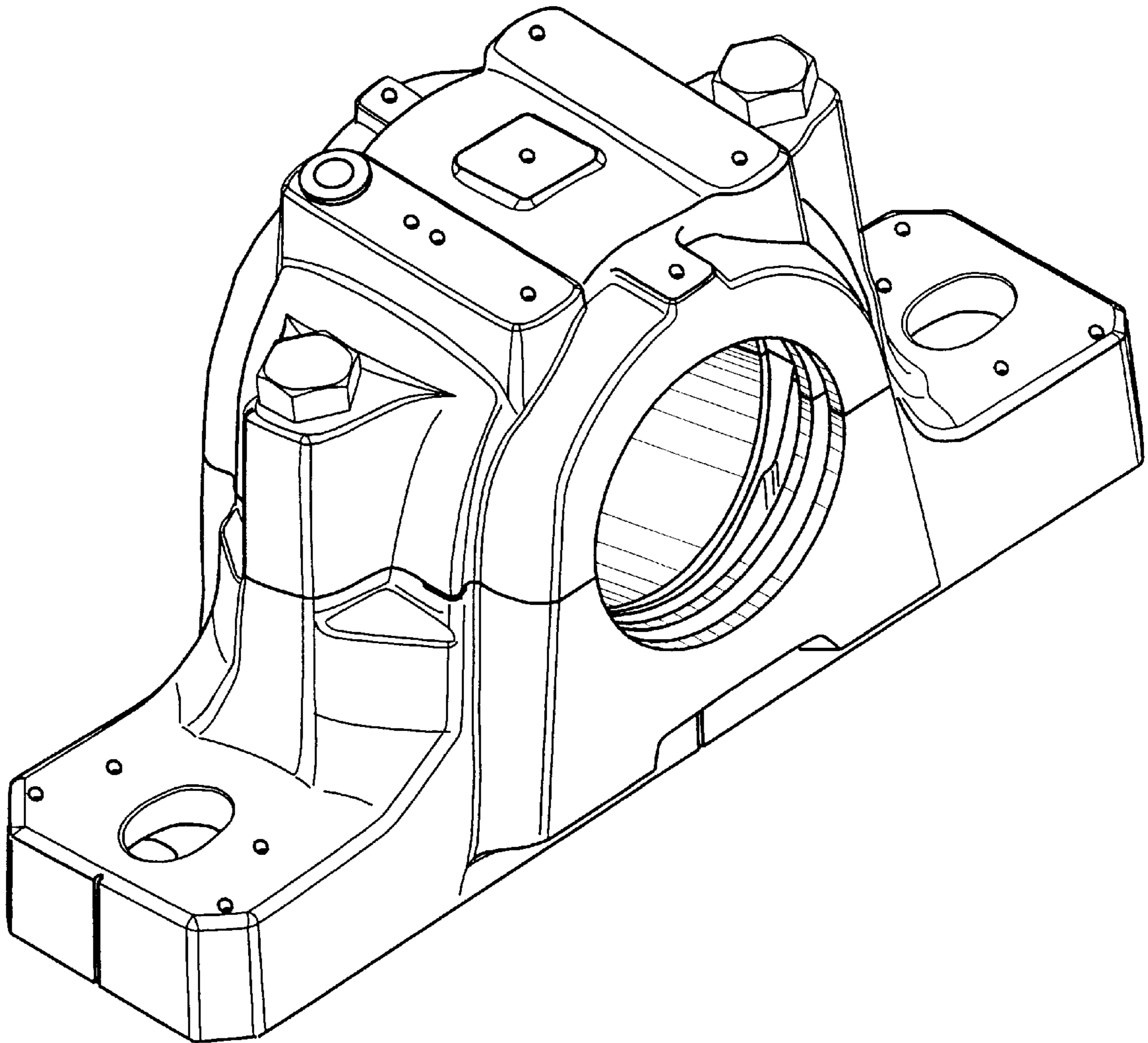


FIG. 1

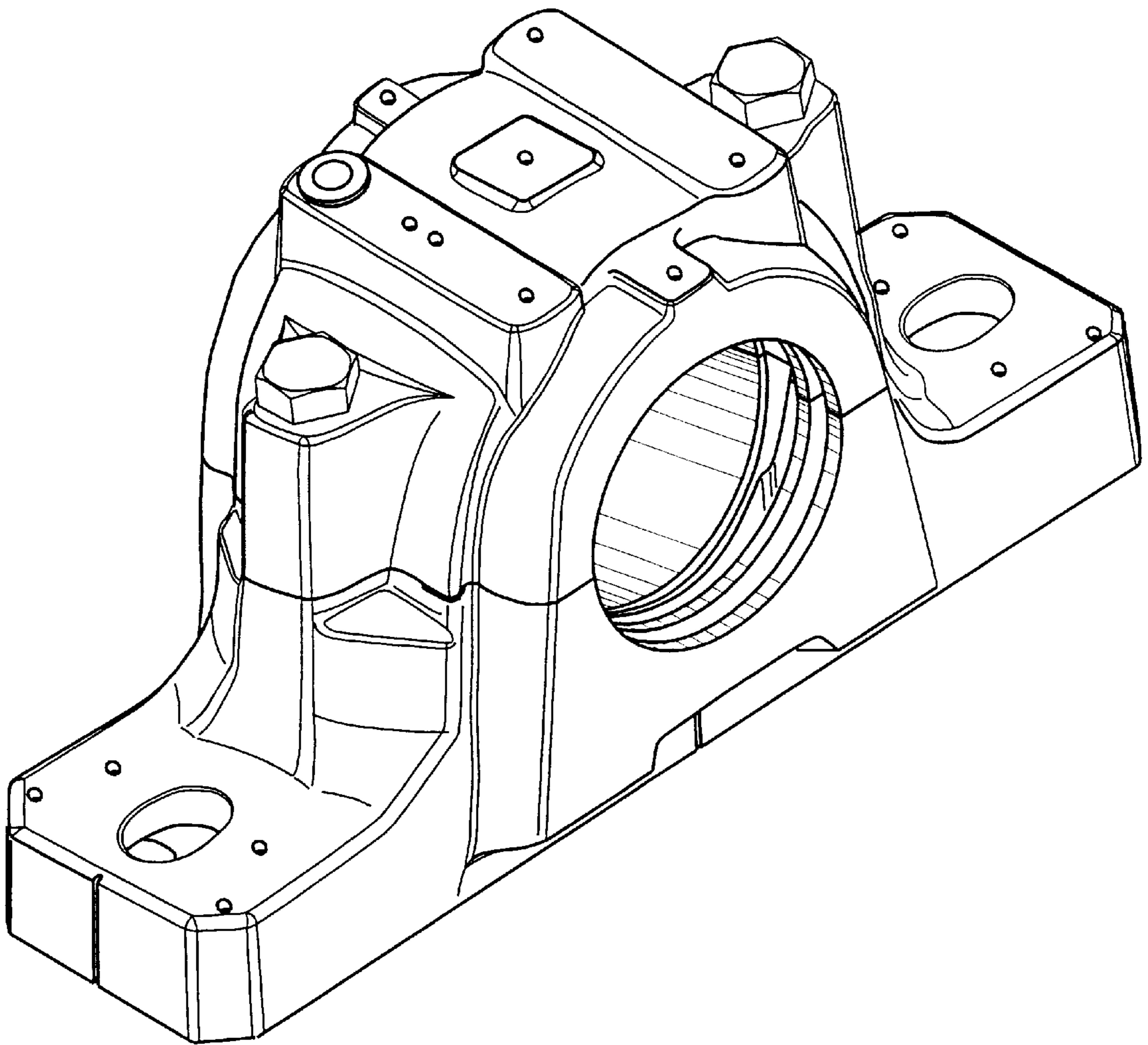


FIG. 2

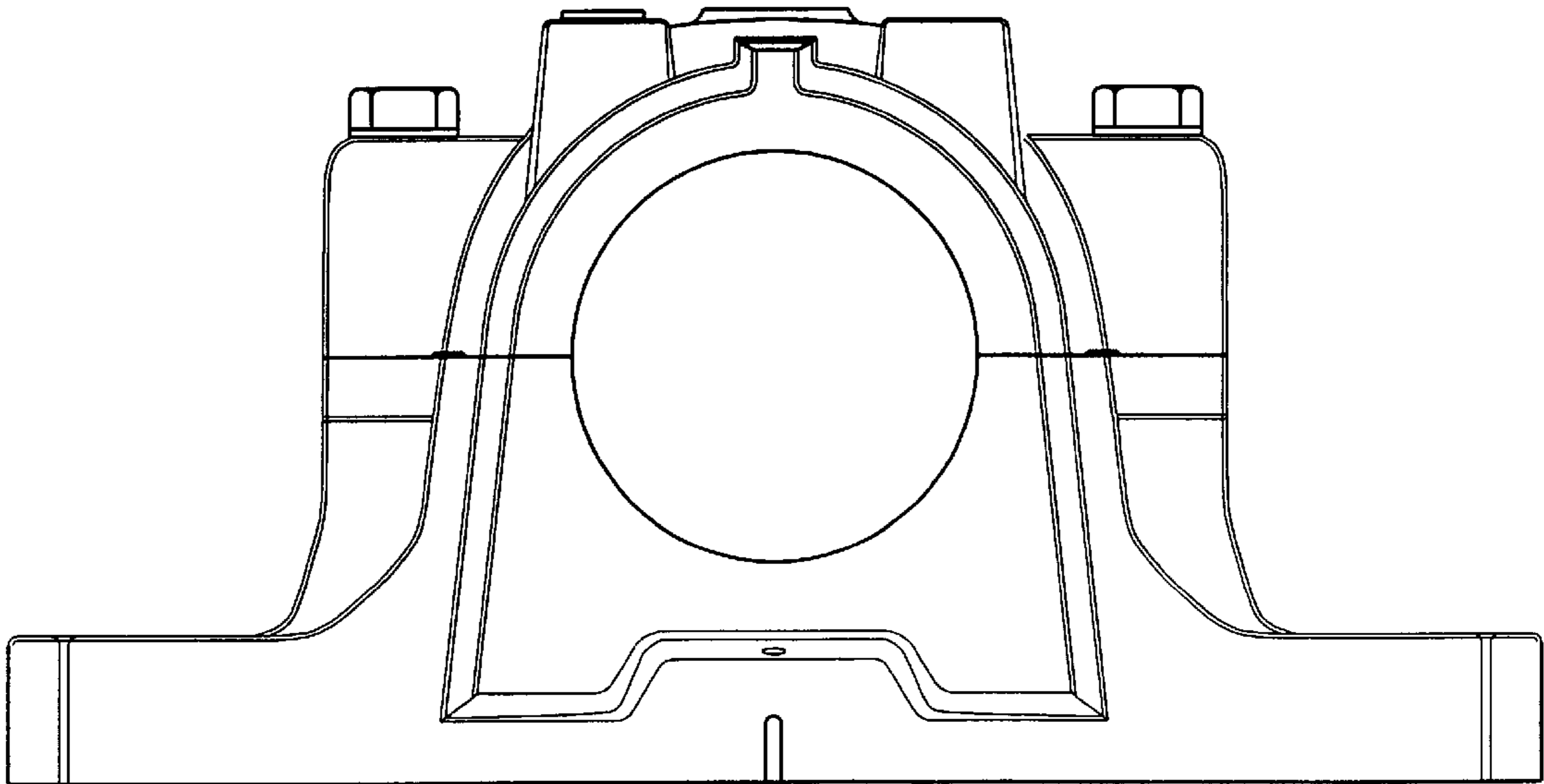


FIG. 3

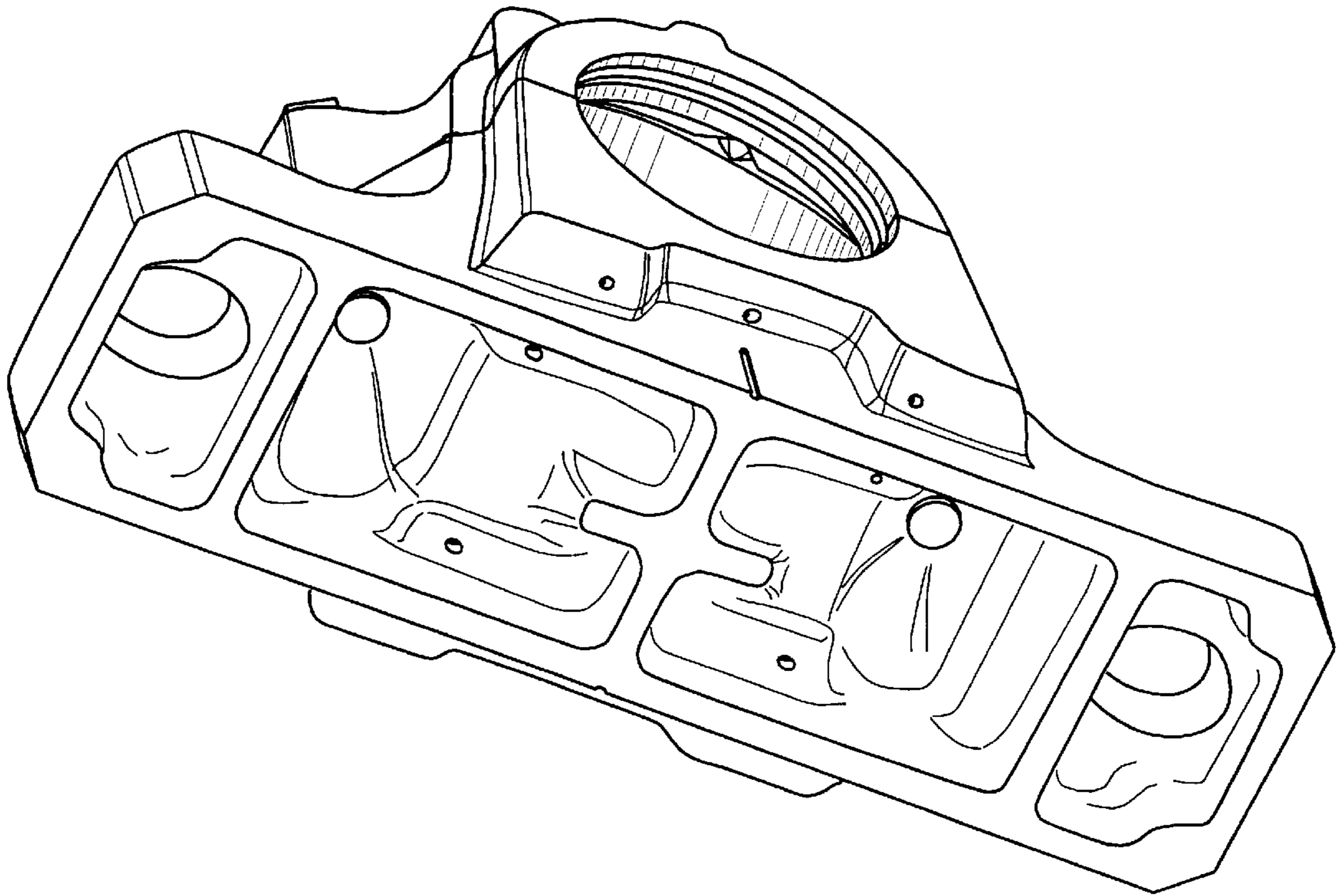


FIG. 4

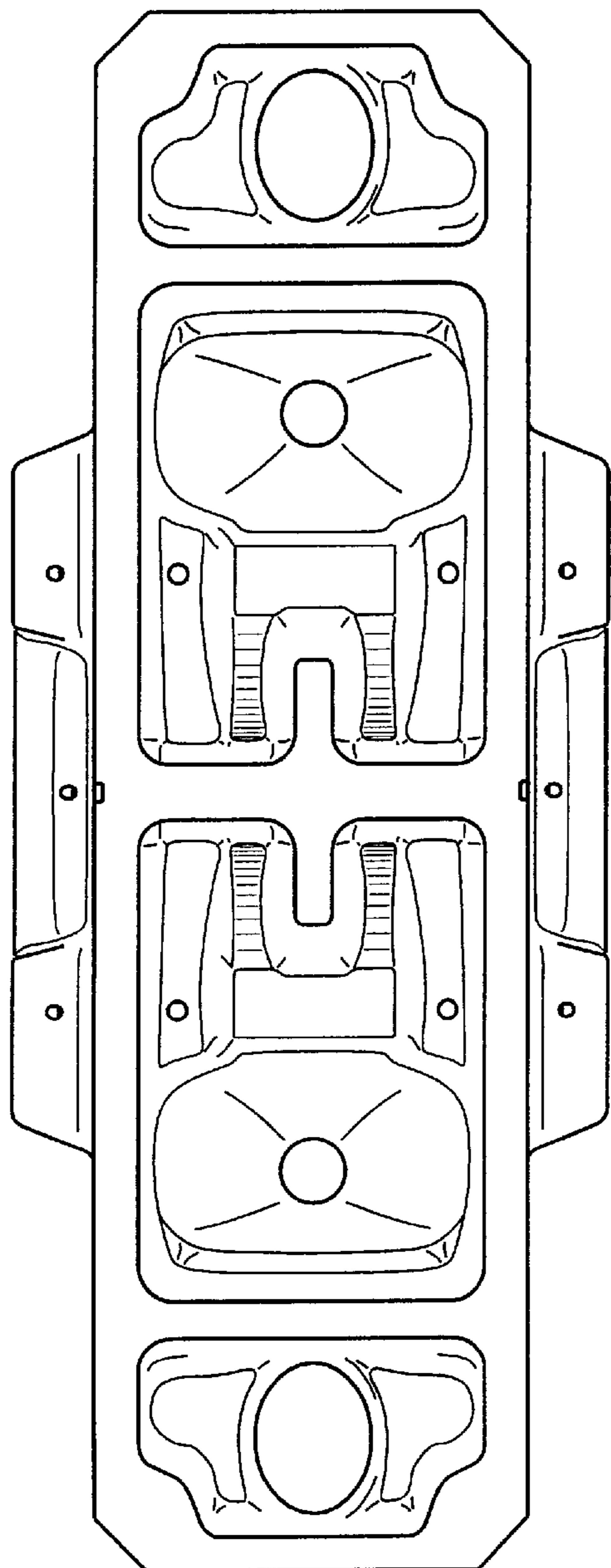


FIG. 5

