



US00D427214S

# United States Patent [19]

[11] **Patent Number: Des. 427,214**

Welsh et al.

[45] **Date of Patent: \*\* Jun. 27, 2000**

[54] **FENCE FOR A POWER TOOL**

D. 415,177 1/1999 Miller et al. .... D15/133

[75] Inventors: **Robert P. Welsh**, Hunt Valley, Md.;  
**David E. Duncanson**, W. Newbury, Mass.;  
**Mark A. Nichols**, Boston, Mass.;  
**Scott E. Stropkay**, Carlisle, Mass.

*Primary Examiner*—Antoine Duval Davis  
*Attorney, Agent, or Firm*—Adan Ayala

[73] Assignee: **Black & Decker Inc.**, Newark, Del.

### [57] CLAIM

[\*\*] Term: **14 Years**

The ornamental design for a fence for a power tool, as shown and described.

[21] Appl. No.: **29/111,726**

### DESCRIPTION

[22] Filed: **Oct. 1, 1999**

FIG. 1 is a front elevational view of a first embodiment of the present invention;

### Related U.S. Application Data

FIG. 2 is a rear elevational view thereof;

[62] Division of application No. 29/103,366, Apr. 13, 1999.

FIG. 3 is a left side elevational view thereof;

[51] **LOC (7) Cl.** ..... **15-09**

FIG. 4 is a right side elevational view thereof;

[52] **U.S. Cl.** ..... **D15/133**

FIG. 5 is a top plan view thereof; and,

[58] **Field of Search** ..... D15/133, 134;  
269/303-307, 315-320; 83/438, 444, 477.2,  
468.7; 144/253 R

FIG. 6 is a front perspective view thereof.

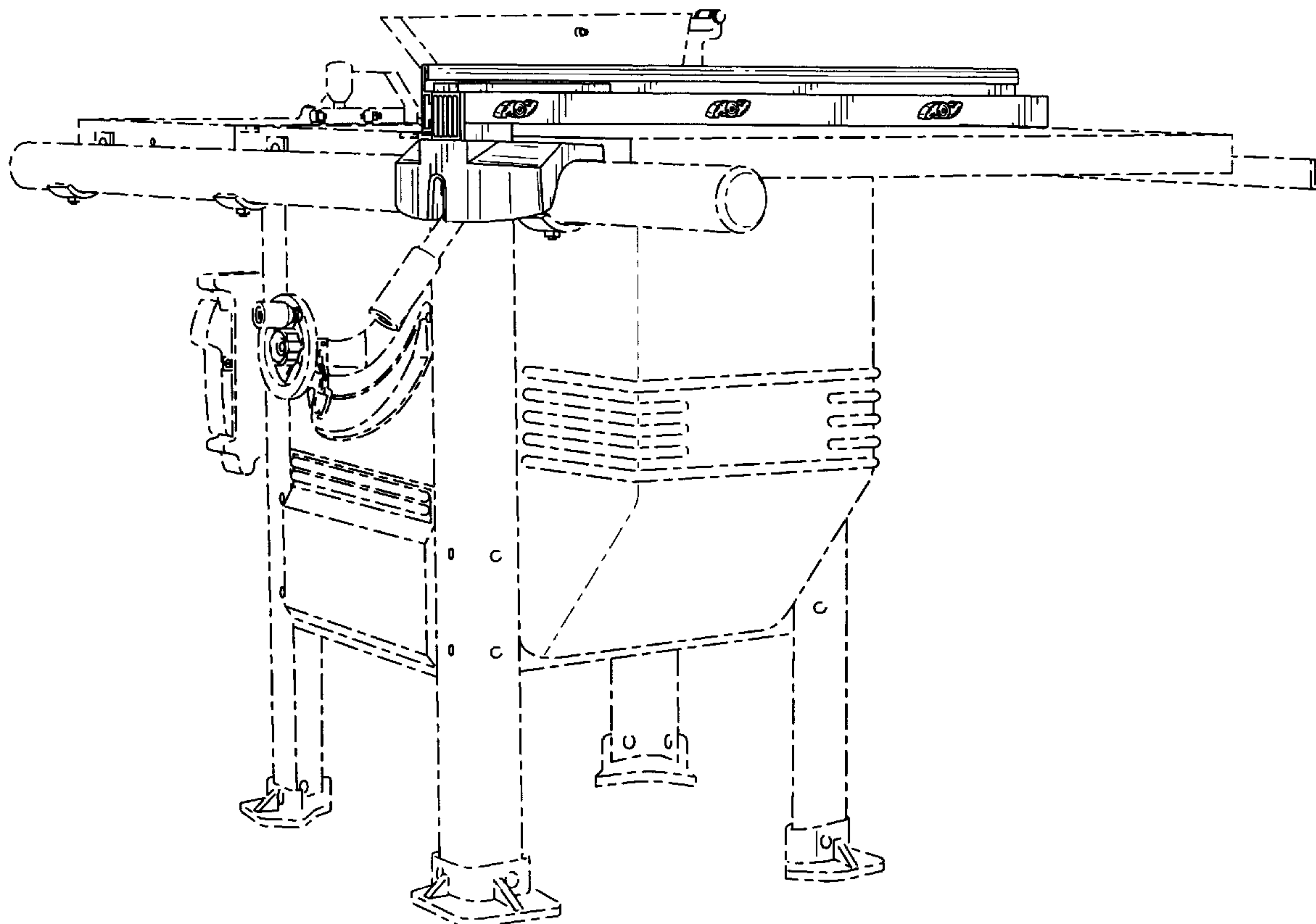
In the above drawings, any broken line illustration is not part of the design sought to be patented. In addition, any views not shown thereof do not form a part of the invention.

### [56] References Cited

#### U.S. PATENT DOCUMENTS

D. 404,404 1/1999 Lane et al. .... D15/133

**1 Claim, 6 Drawing Sheets**



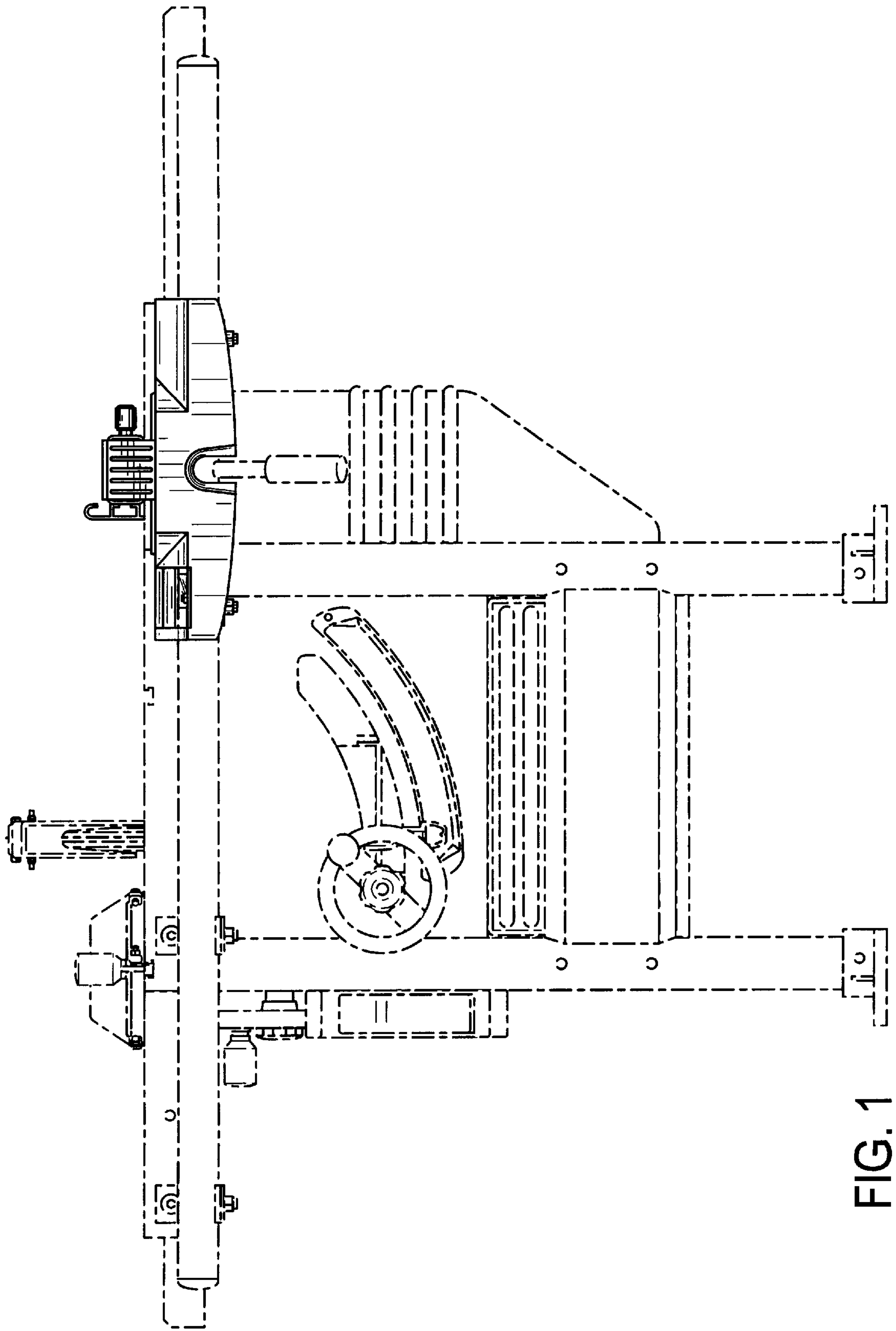


FIG. 1

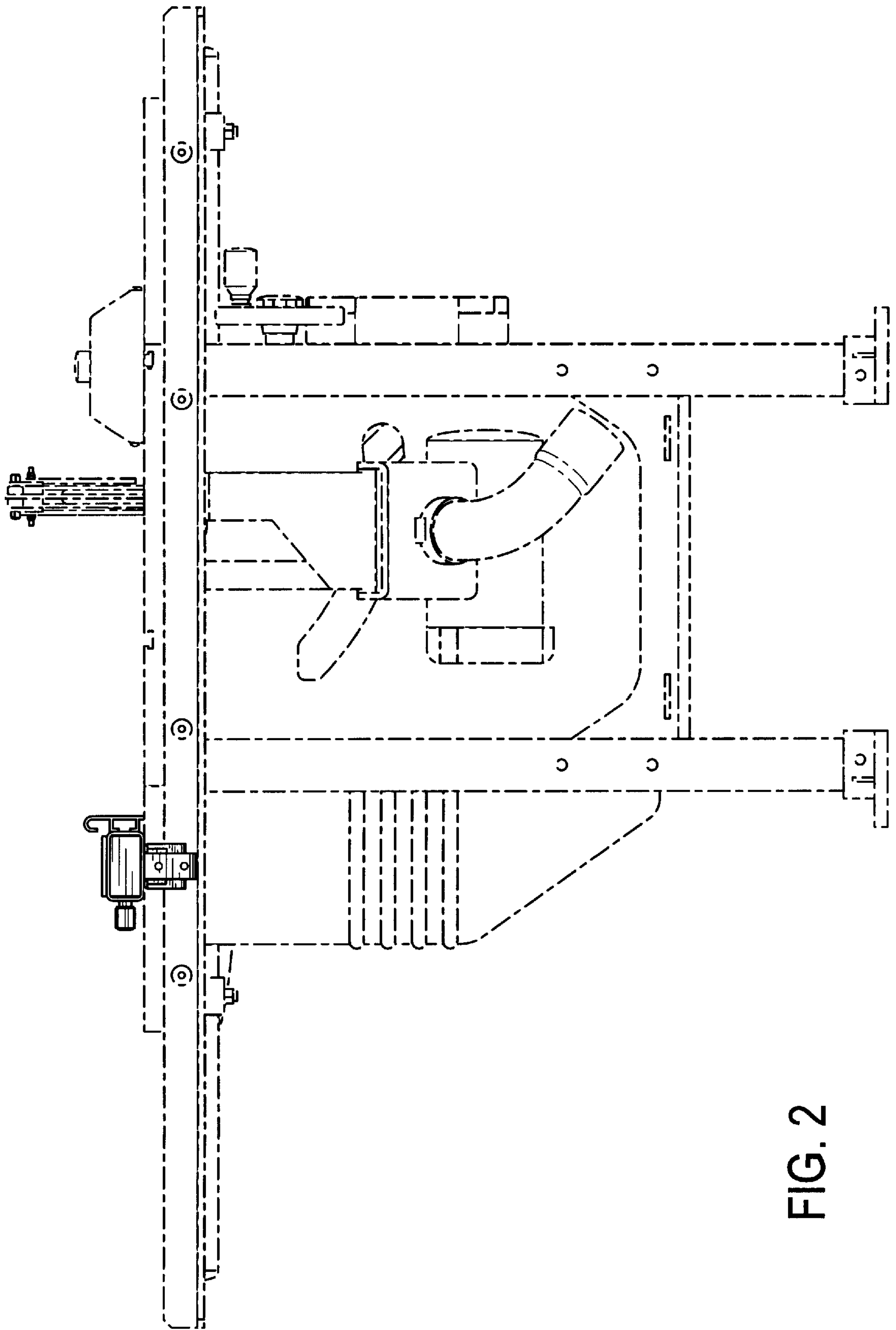


FIG. 2

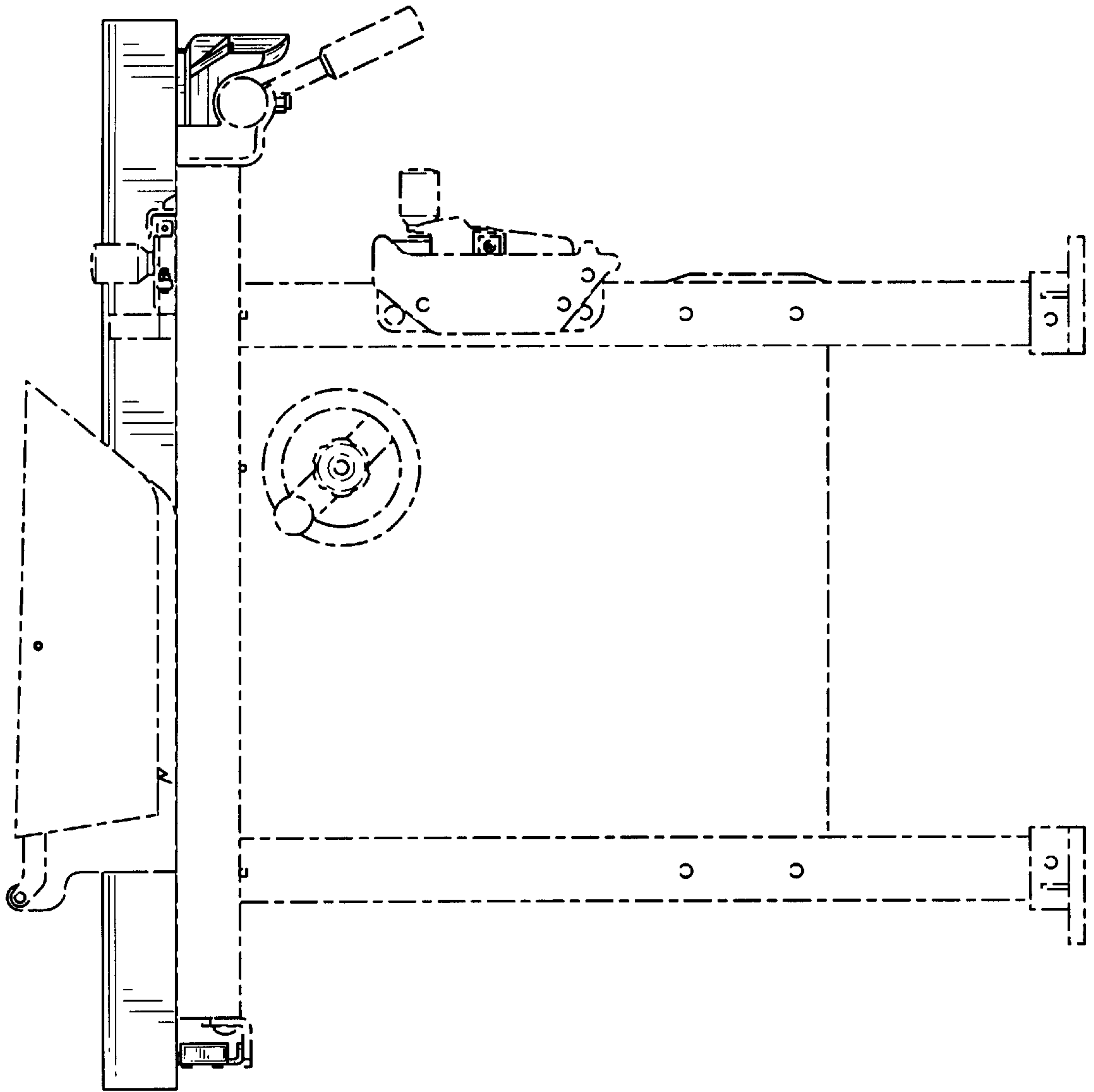


FIG. 3

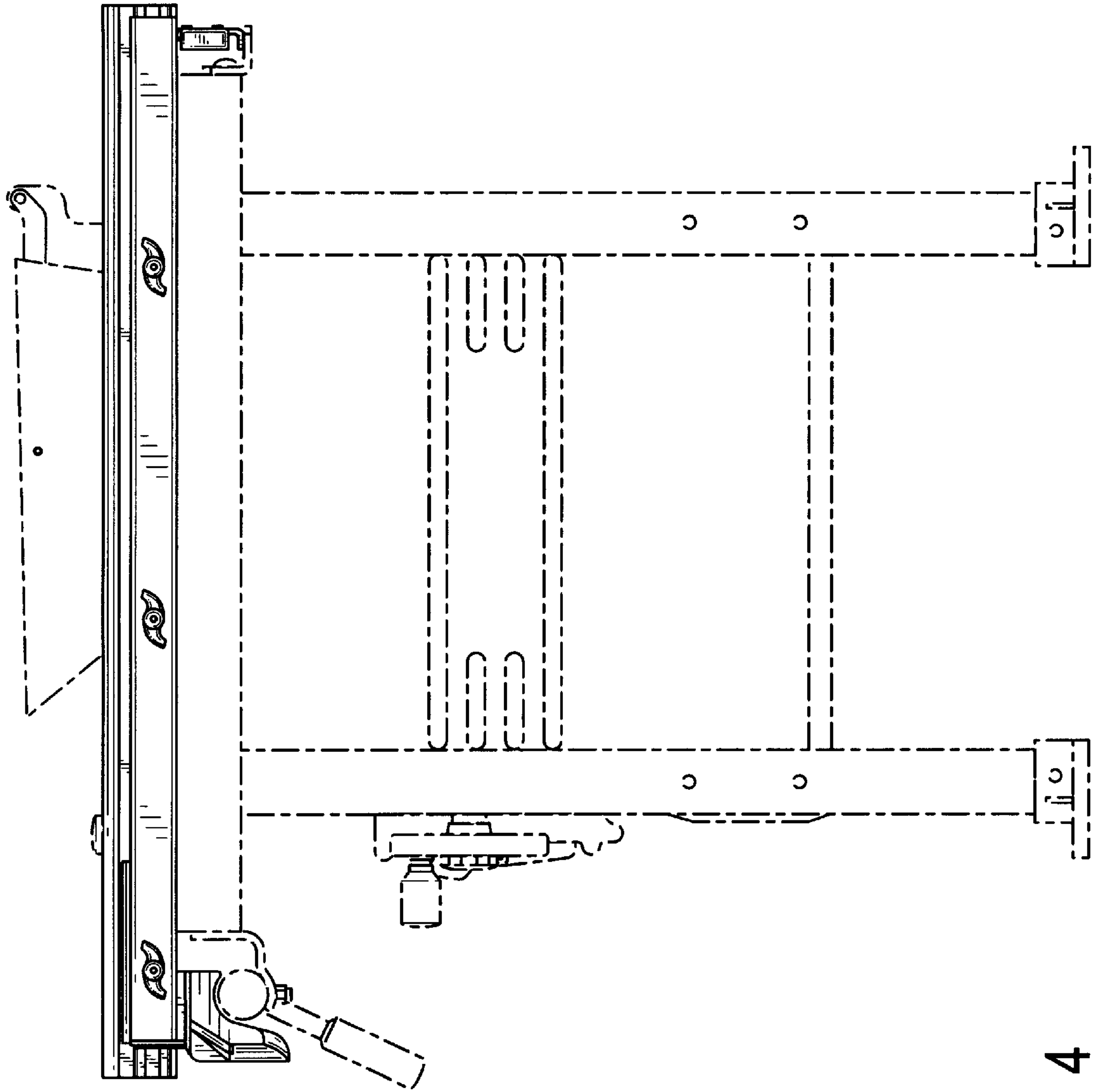


FIG. 4

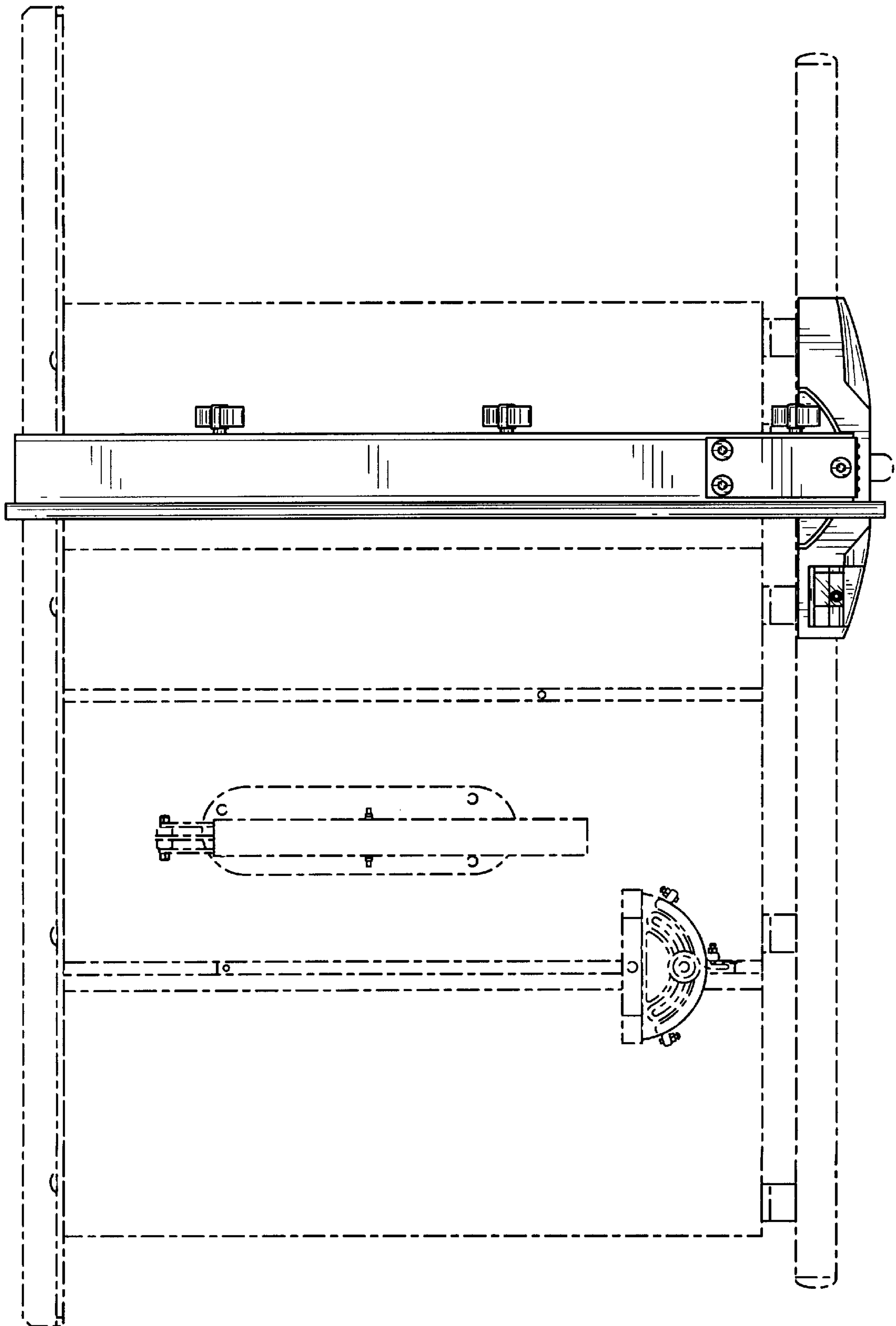


FIG. 5

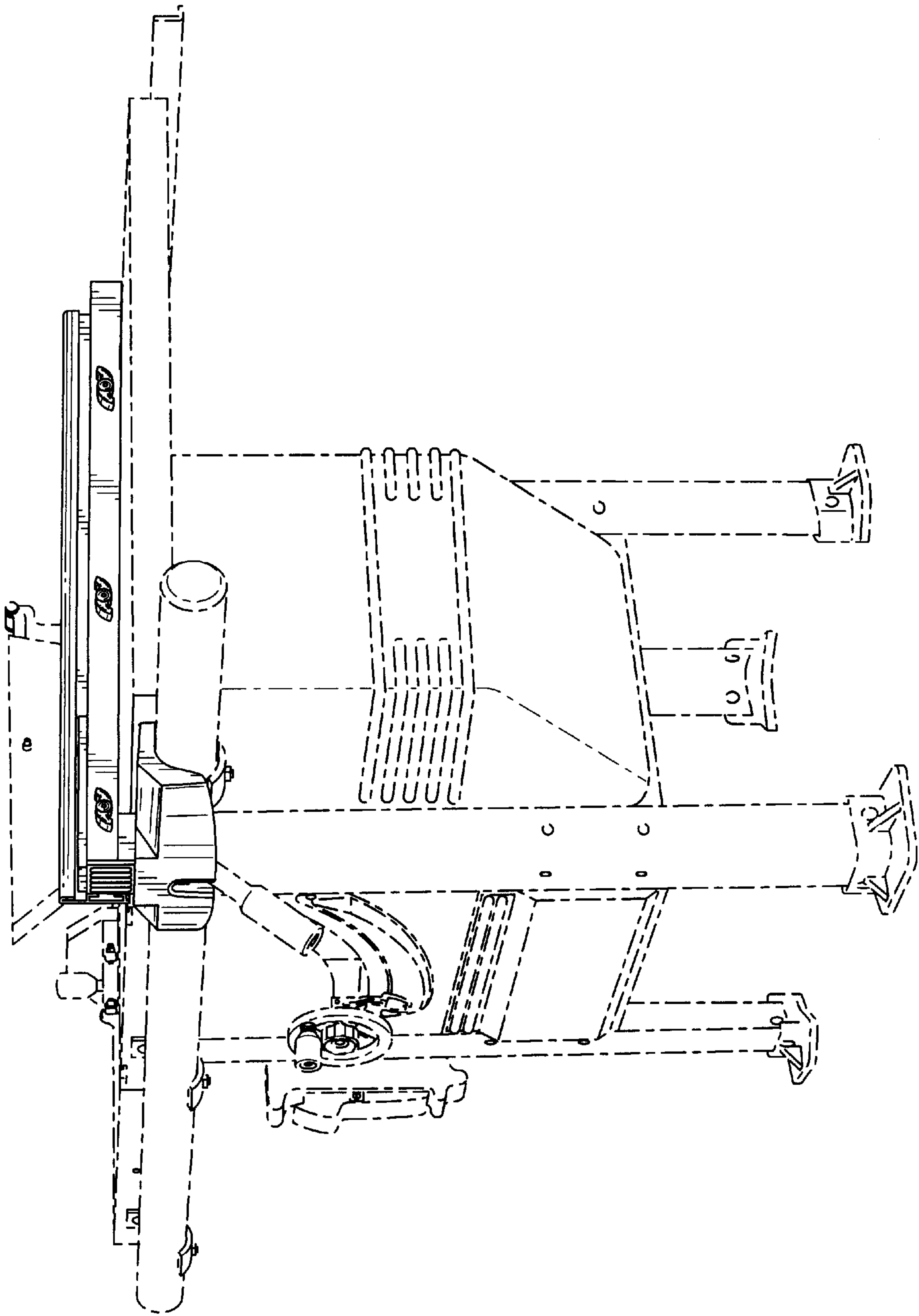


FIG. 6