



US00D427213S

United States Patent [19]
Chen

[11] **Patent Number: Des. 427,213**
[45] **Date of Patent: ** Jun. 27, 2000**

[54] **BRICK CUTTER**

Primary Examiner—Antoine Duval Davis

[76] Inventor: **Yuehting Chen**, No. 56, Min Sheng Street, Feng-Yuan City 42041, Taiwan

[57] **CLAIM**

The ornamental design for a brick cutter, as shown.

[**] Term: **14 Years**

DESCRIPTION

[21] Appl. No.: **29/107,919**

FIG. 1 is a front elevational view of a brick cutter showing my new design;

[22] Filed: **Jul. 13, 1999**

FIG. 2 is a rear elevational view thereof;

[51] **LOC (7) Cl.** **15-09**

FIG. 3 is a left side elevational view thereof;

[52] **U.S. Cl.** **D15/133; D15/127**

FIG. 4 is a right side elevational view thereof;

[58] **Field of Search** **D15/127, 133; 83/169; 125/13.01; 451/344, 450**

FIG. 5 is a top plan view thereof;

FIG. 6 is a bottom plan view thereof; and,

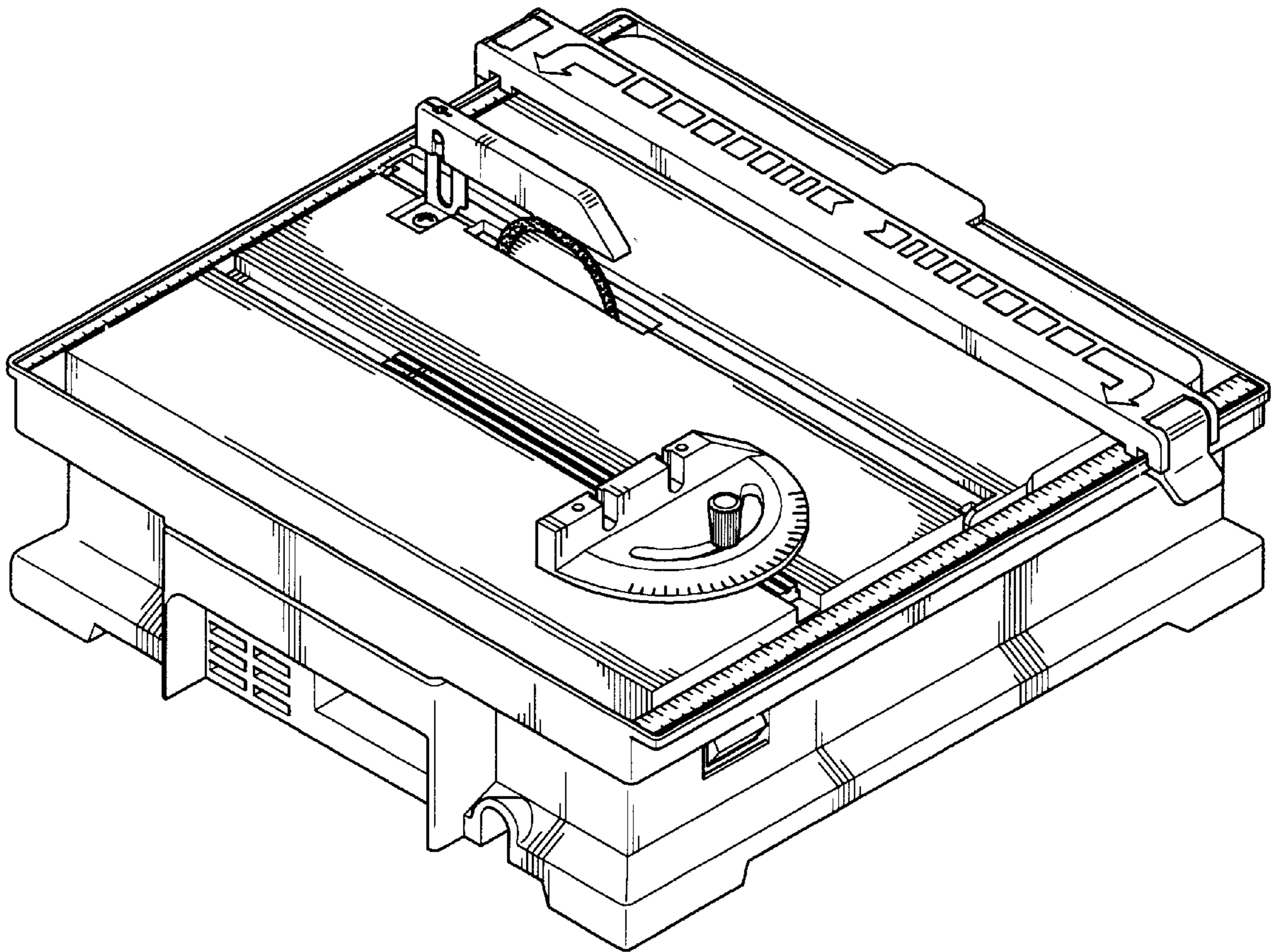
FIG. 7 is a perspective view thereof.

[56] **References Cited**

U.S. PATENT DOCUMENTS

D. 400,896 11/1998 Hepworth D15/133

1 Claim, 5 Drawing Sheets



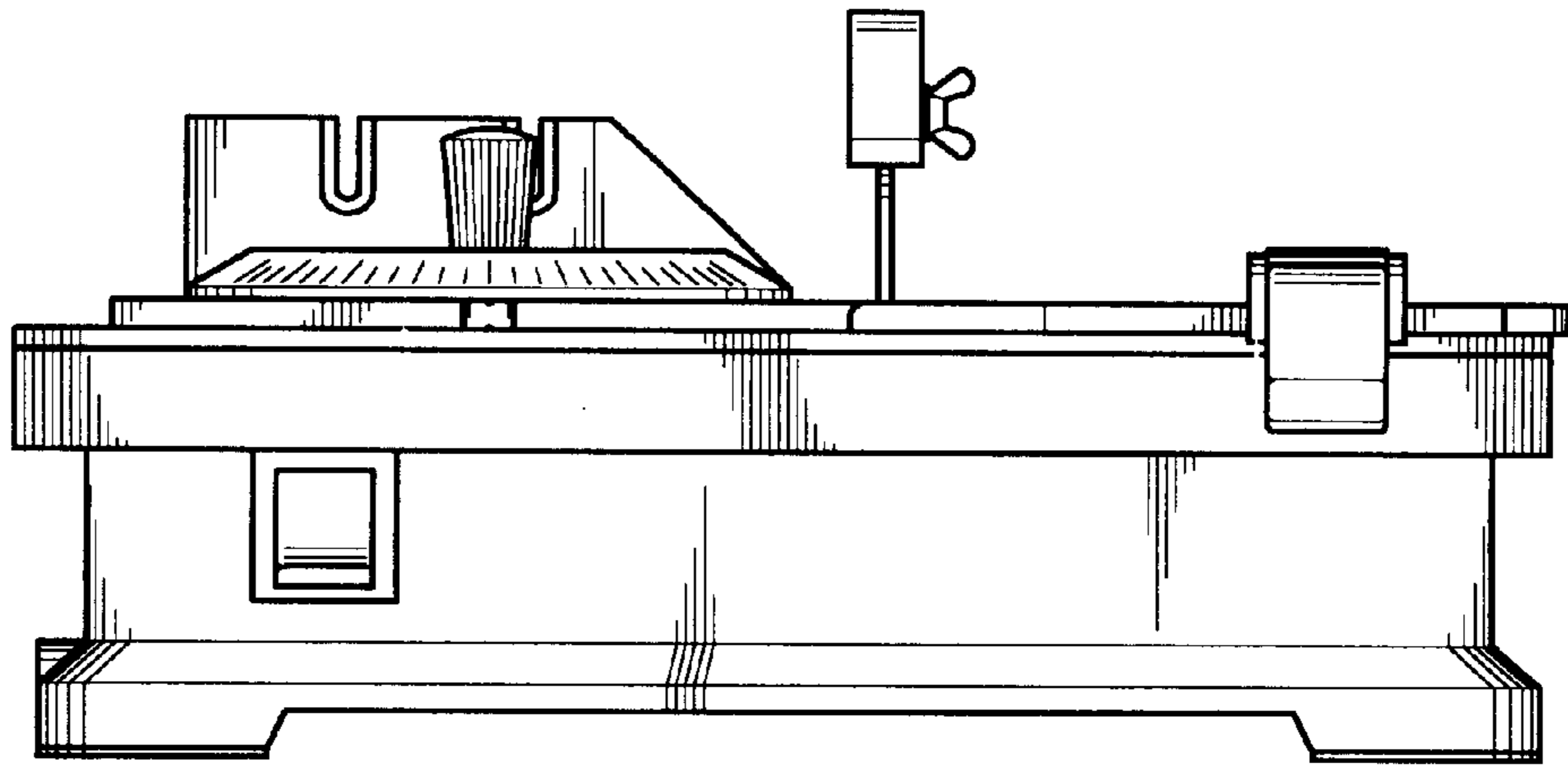


FIG. 1

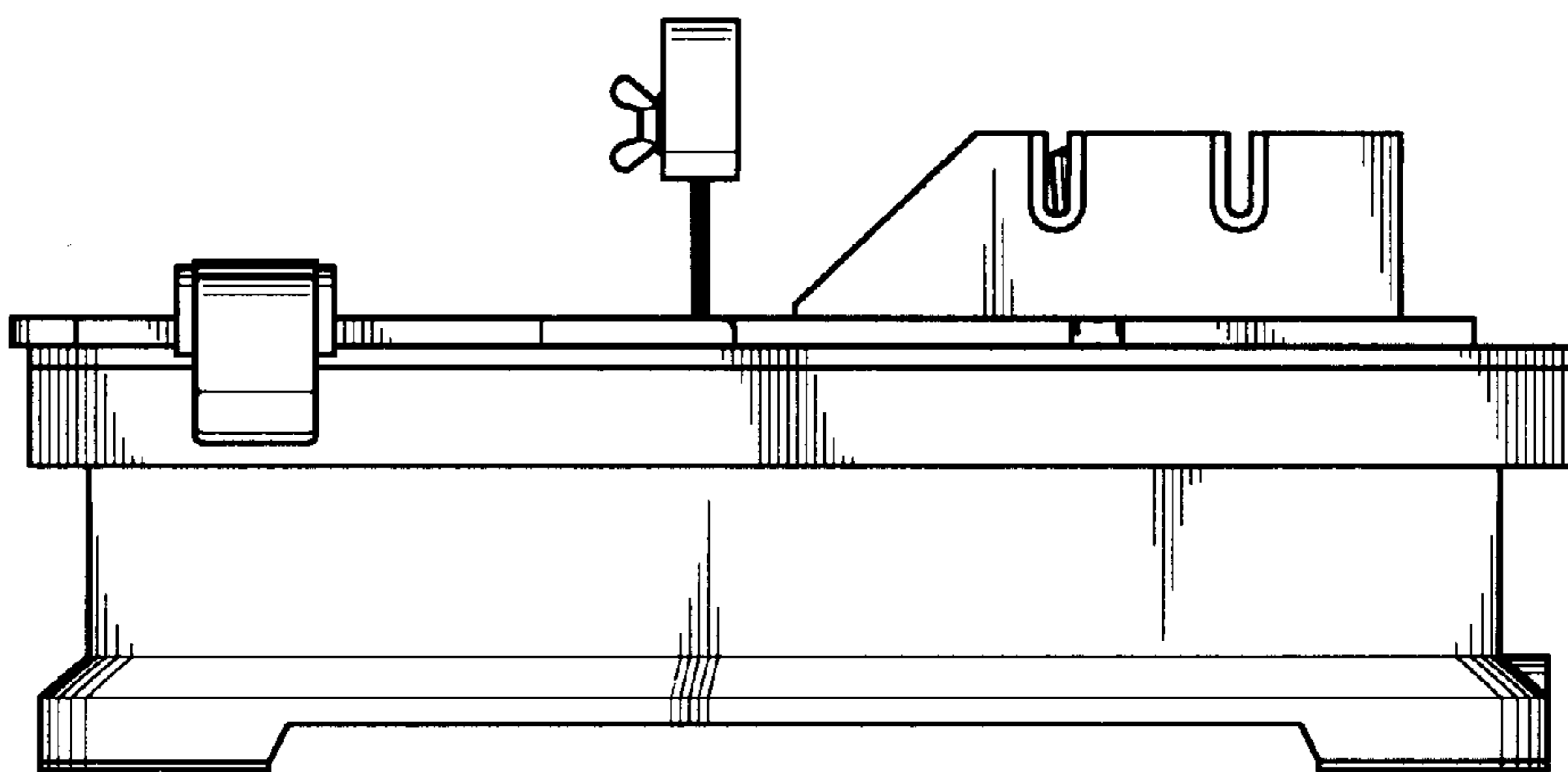


FIG. 2

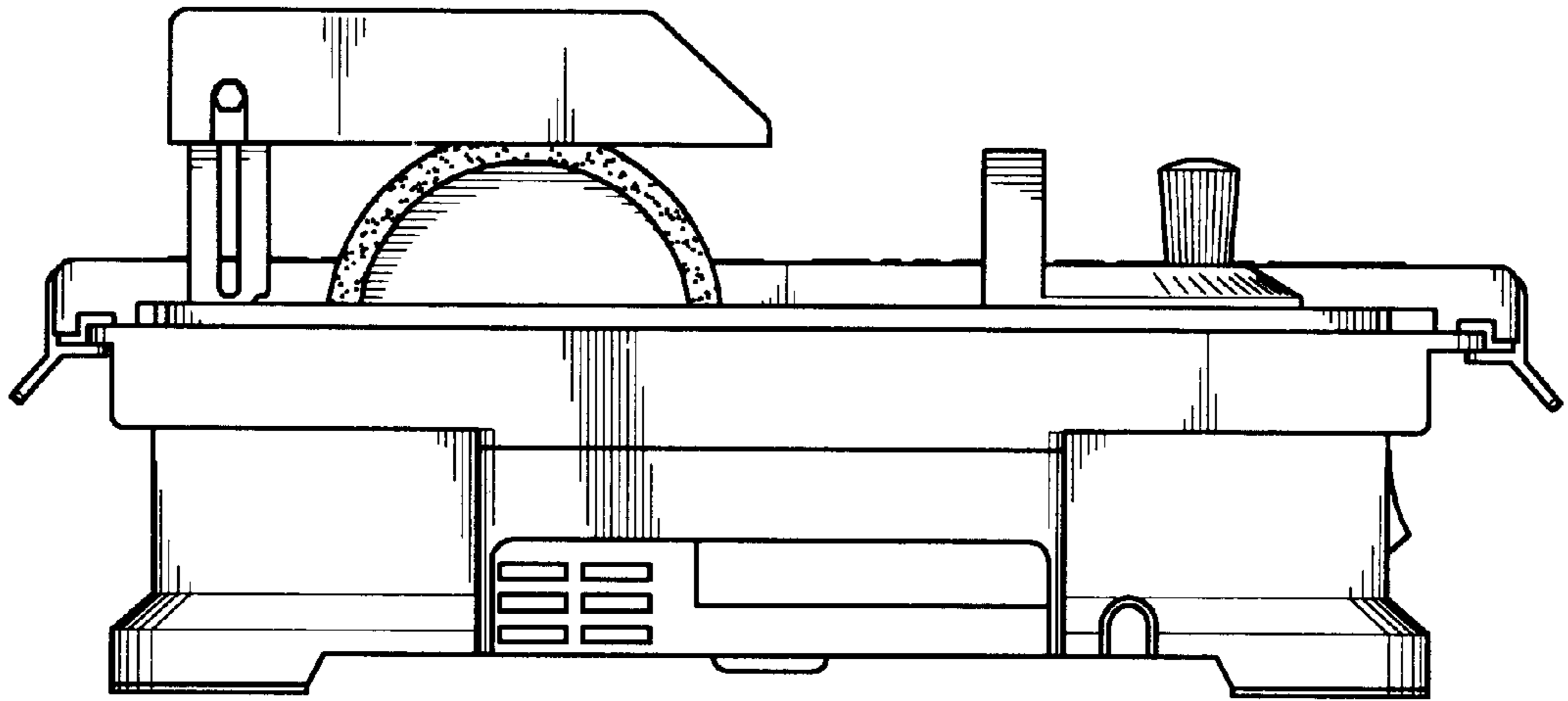


FIG.3

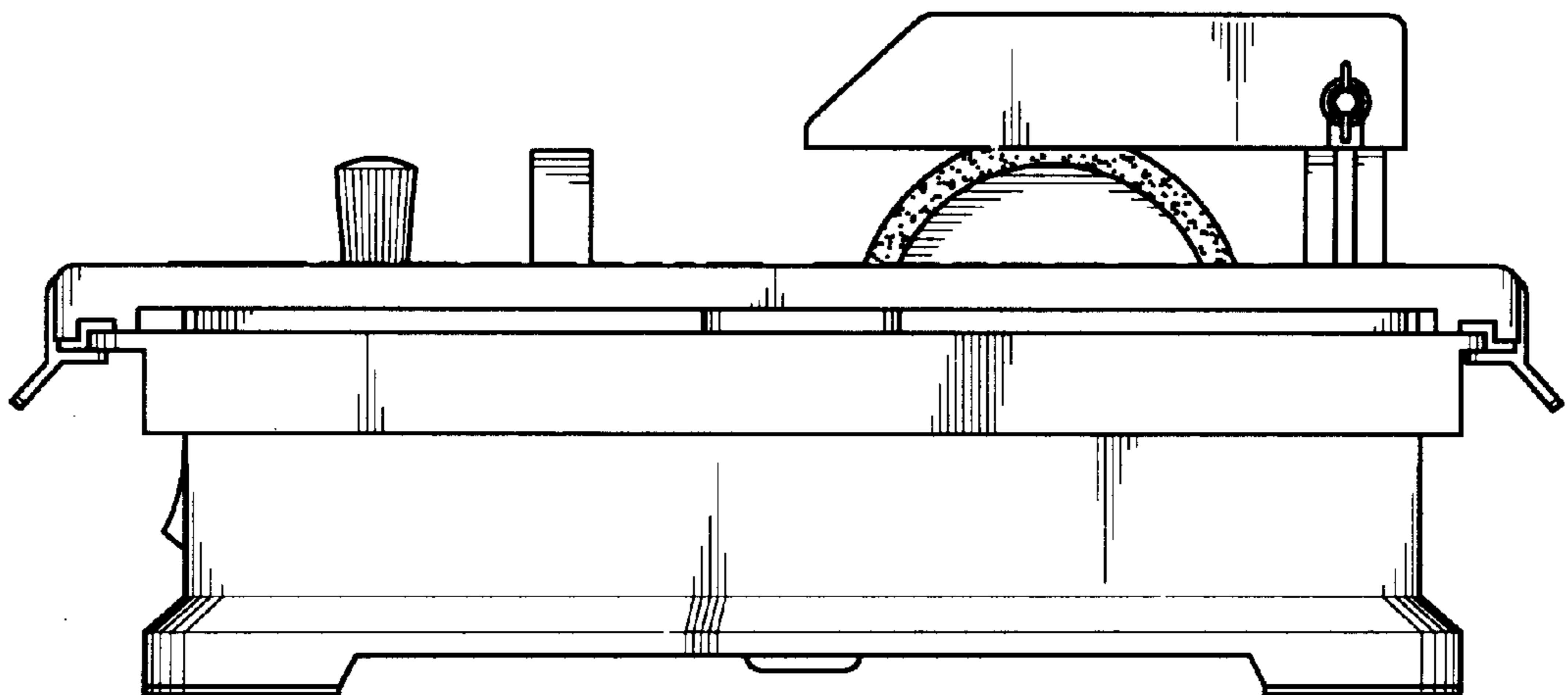


FIG.4

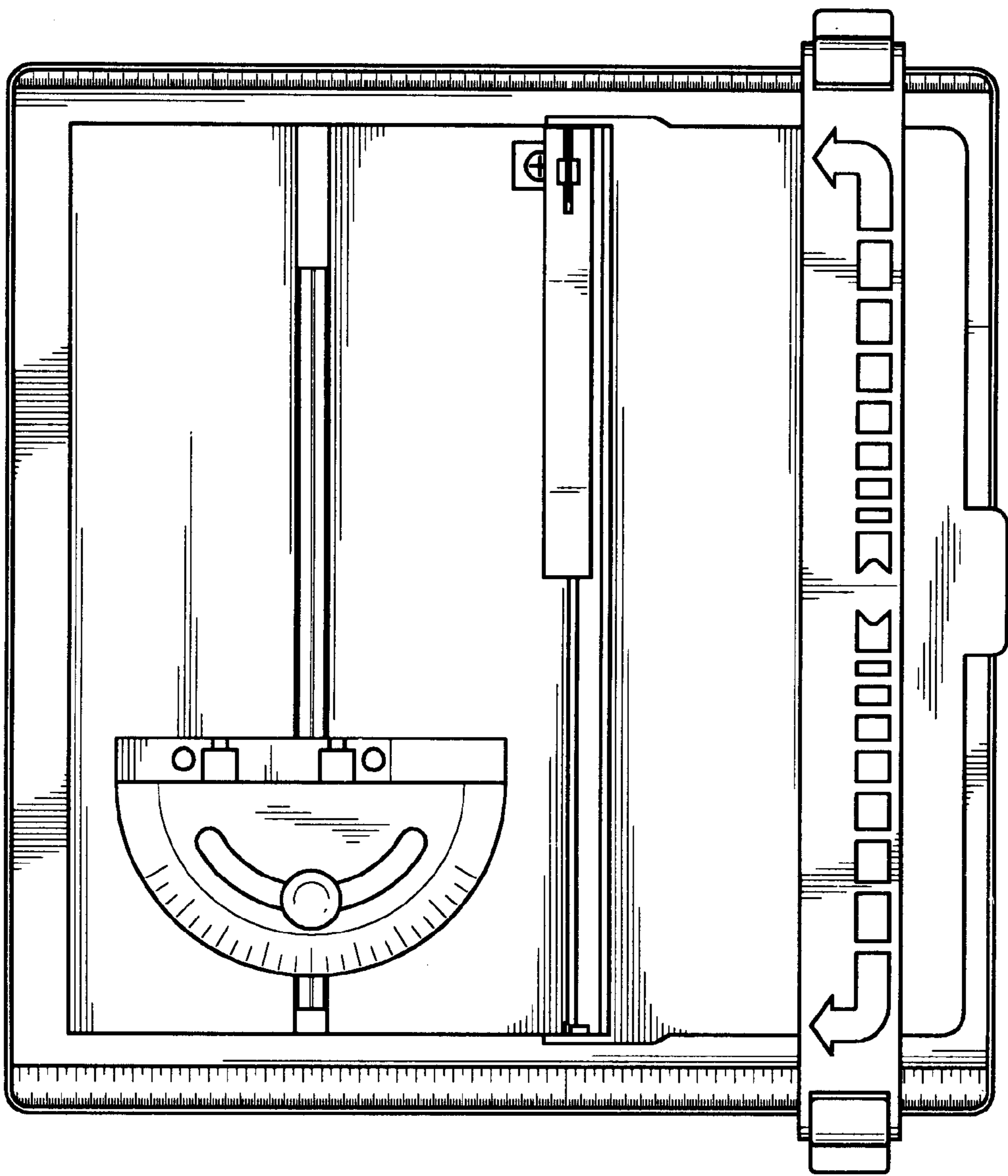


FIG. 5

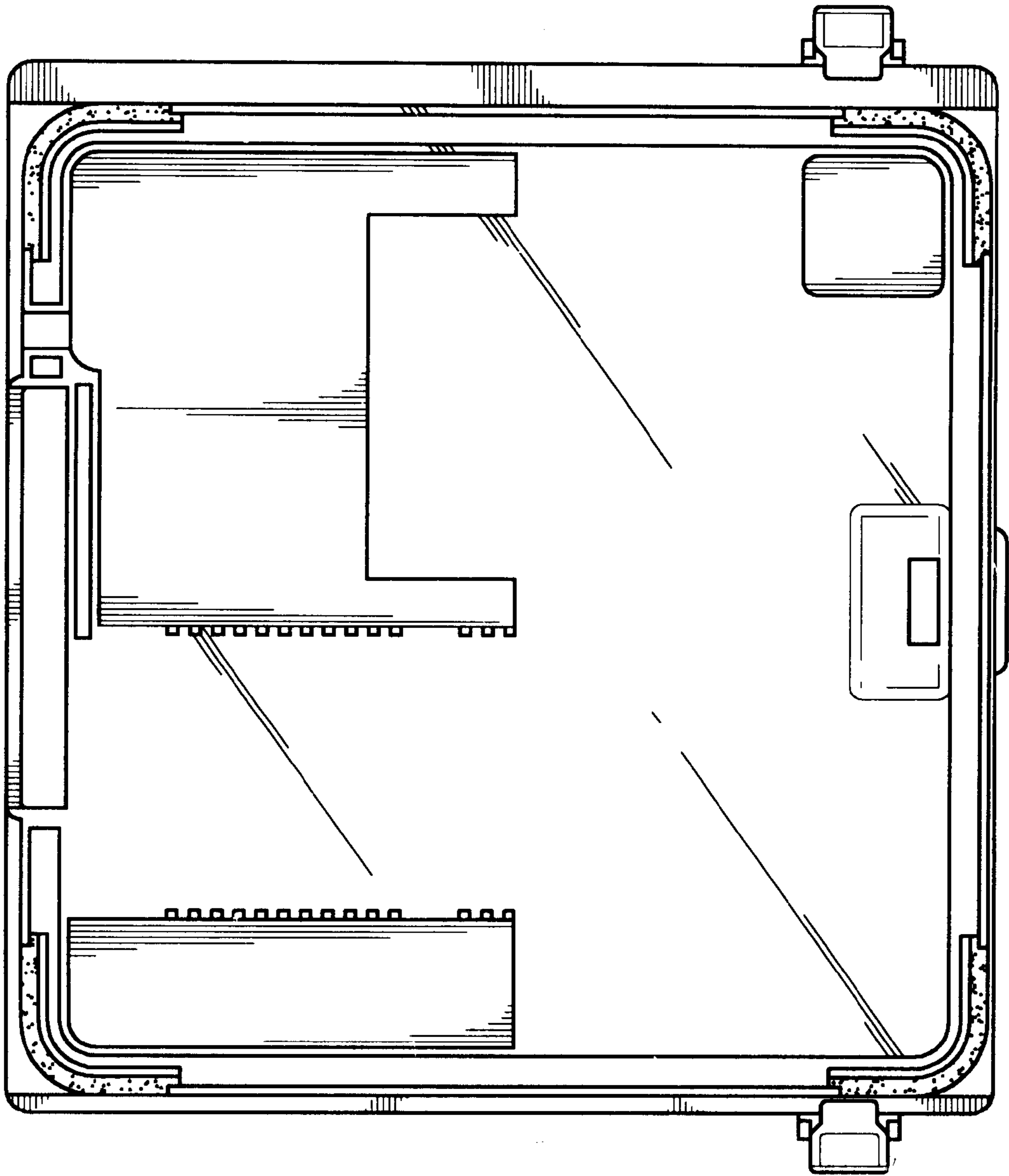


FIG. 6

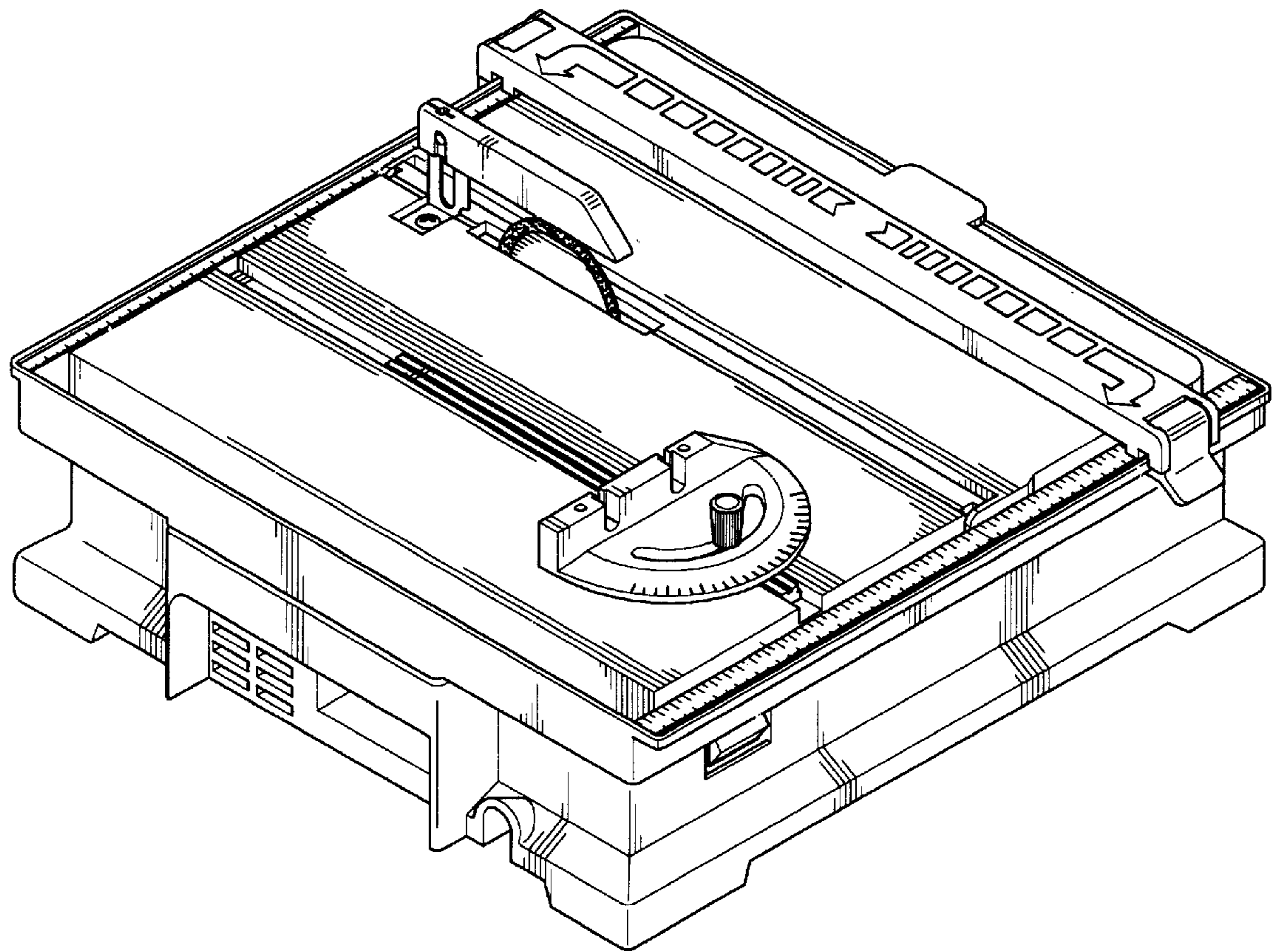


FIG. 7