



US00D427212S

United States Patent [19]

Ricci et al.

[11] Patent Number: **Des. 427,212**

[45] Date of Patent: **** Jun. 27, 2000**

[54] PIPE END PREP MACHINE

5,054,342 10/1991 Swiatowy et al. 82/113
5,887,501 4/1999 Ricci 82/113

[75] Inventors: **Donato L. Ricci**, W8477—162nd Ave.,
Hager City, Wis. 54015; **Brent Place**,
Red Wing, Minn.

Primary Examiner—Antoine Duval Davis
Attorney, Agent, or Firm—Nikolai, Mersereau & Dietz, P.A.

[73] Assignee: **Donato L. Ricci**, Hager City, Wis.

[57] CLAIM

[**] Term: **14 Years**

The ornamental design for a pipe end prep machine, as shown and described.

[21] Appl. No.: **29/114,536**

DESCRIPTION

[22] Filed: **Nov. 29, 1999**

[51] LOC (7) Cl. **15-09**

[52] U.S. Cl. **D15/130**

[58] Field of Search D15/130; 82/113,
82/123, 4

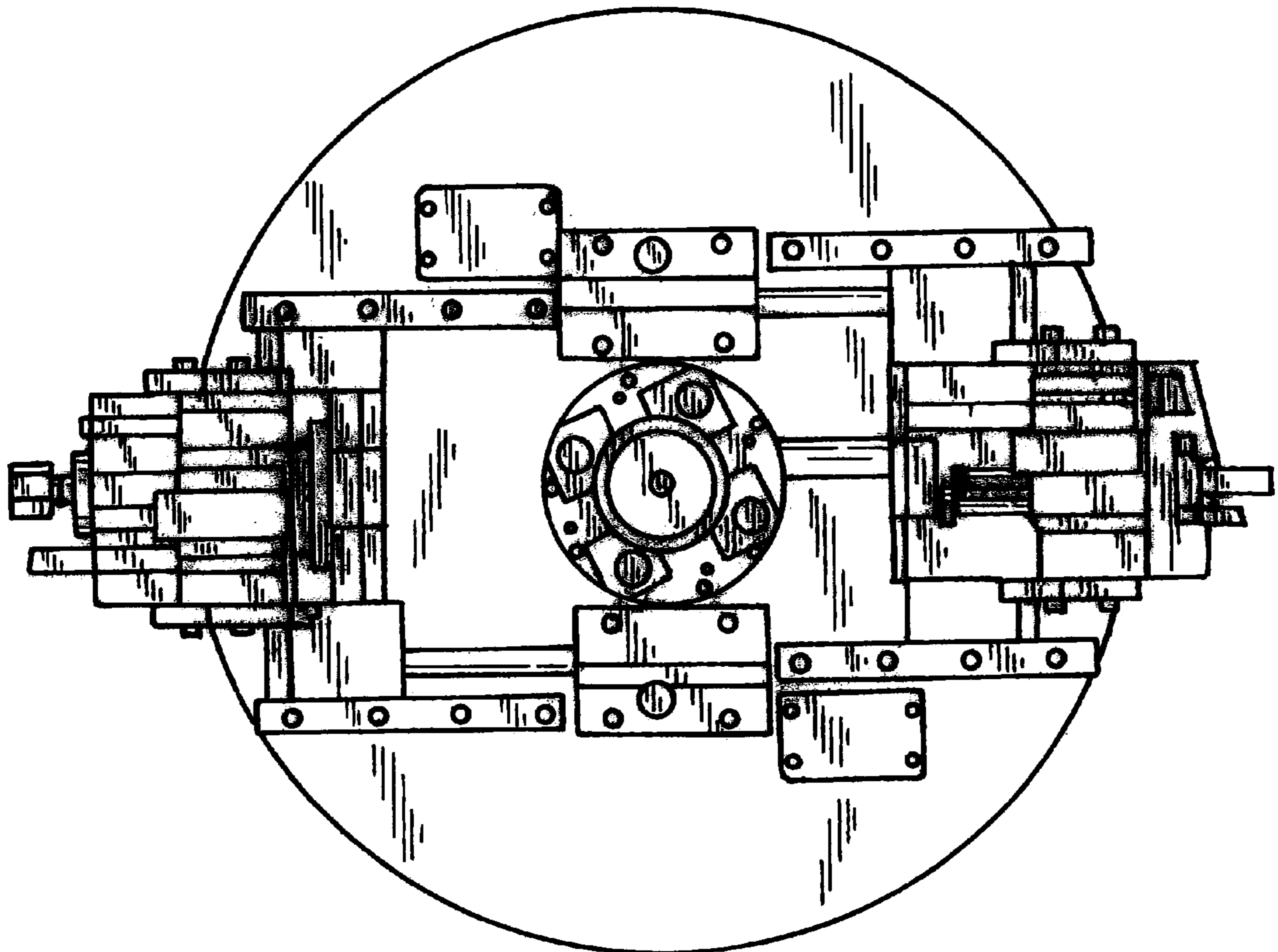
FIG. 1 is a front elevational view of a pipe end prep machine showing our new design;
FIG. 2 is a rear view thereof;
FIG. 3 is a top plan view thereof;
FIG. 4 is a bottom plan view thereof;
FIG. 5 is a right side view thereof; and,
FIG. 6 is a left side view thereof.

[56] References Cited

U.S. PATENT DOCUMENTS

D. 407,724 4/1999 Marshall et al. D15/130

1 Claim, 4 Drawing Sheets



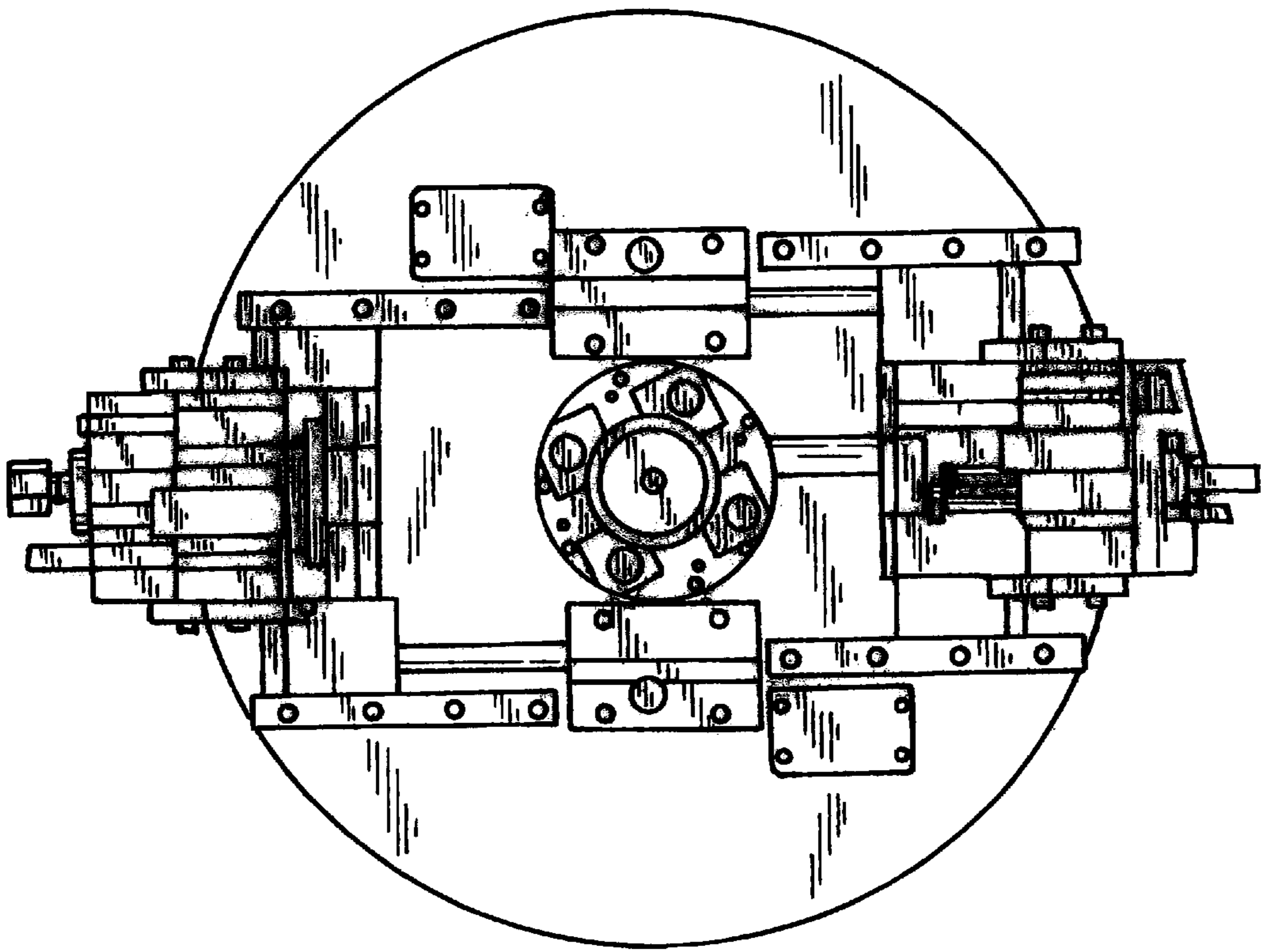


FIG. 1

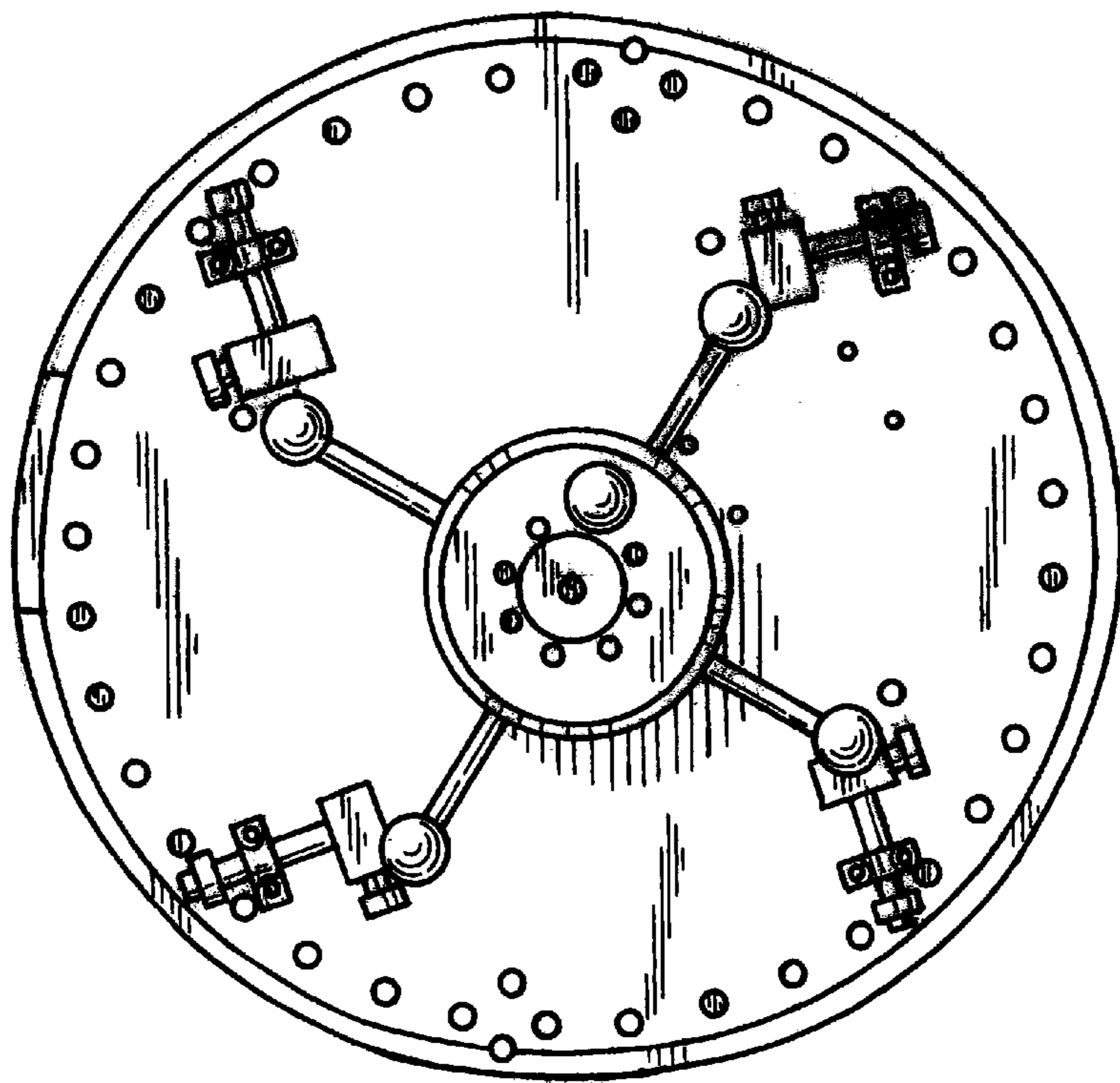


FIG. 2

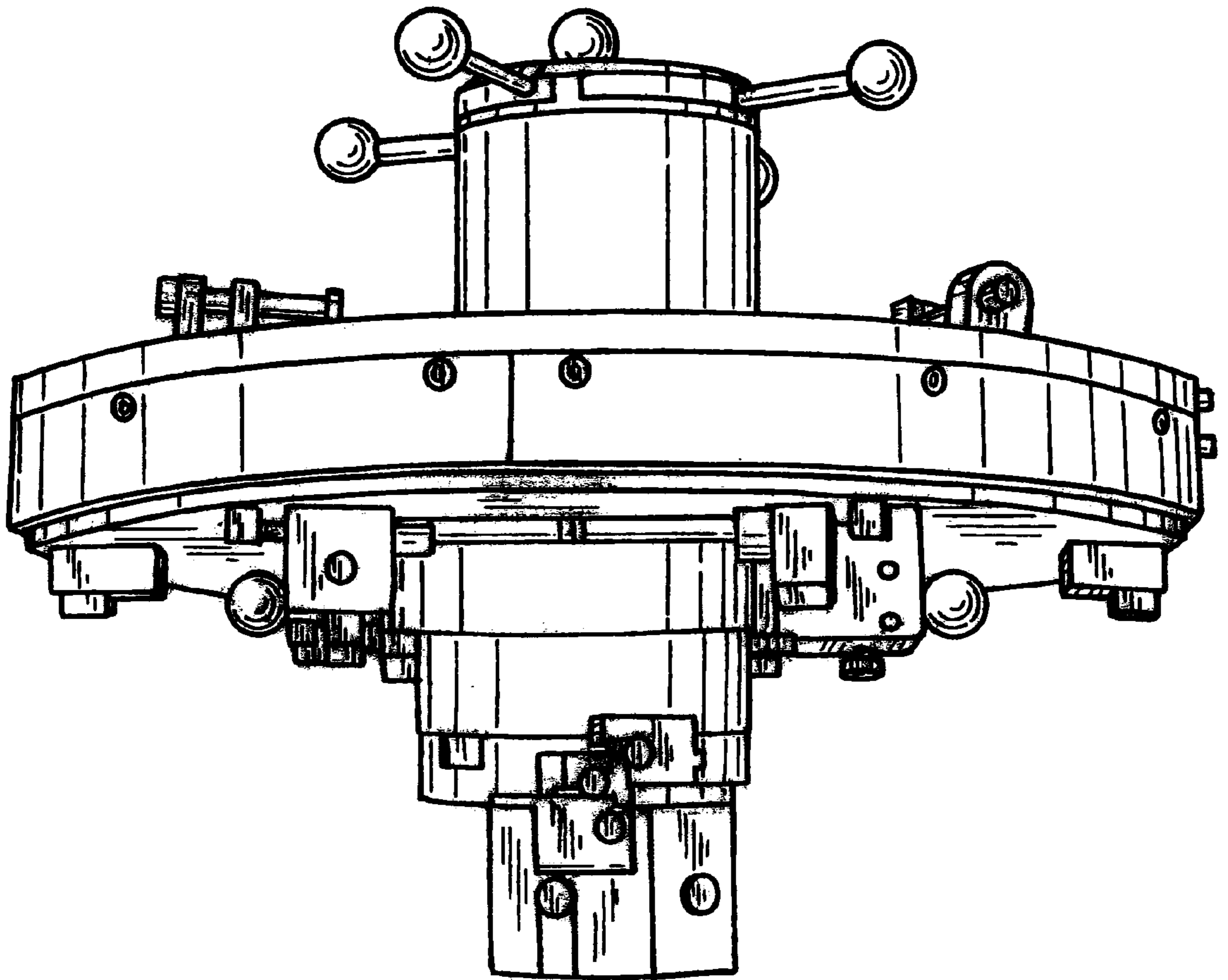


FIG. 3

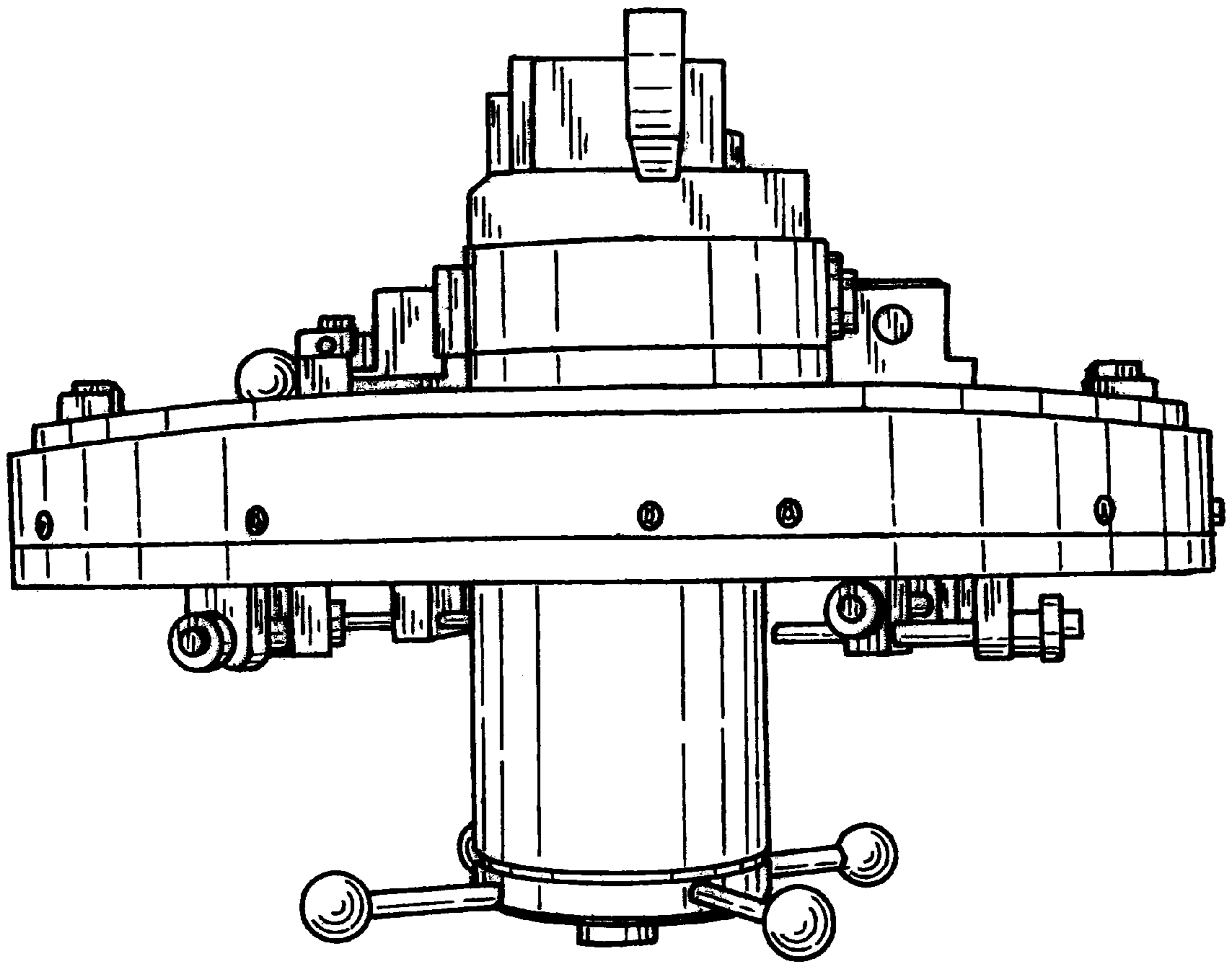


FIG. 4

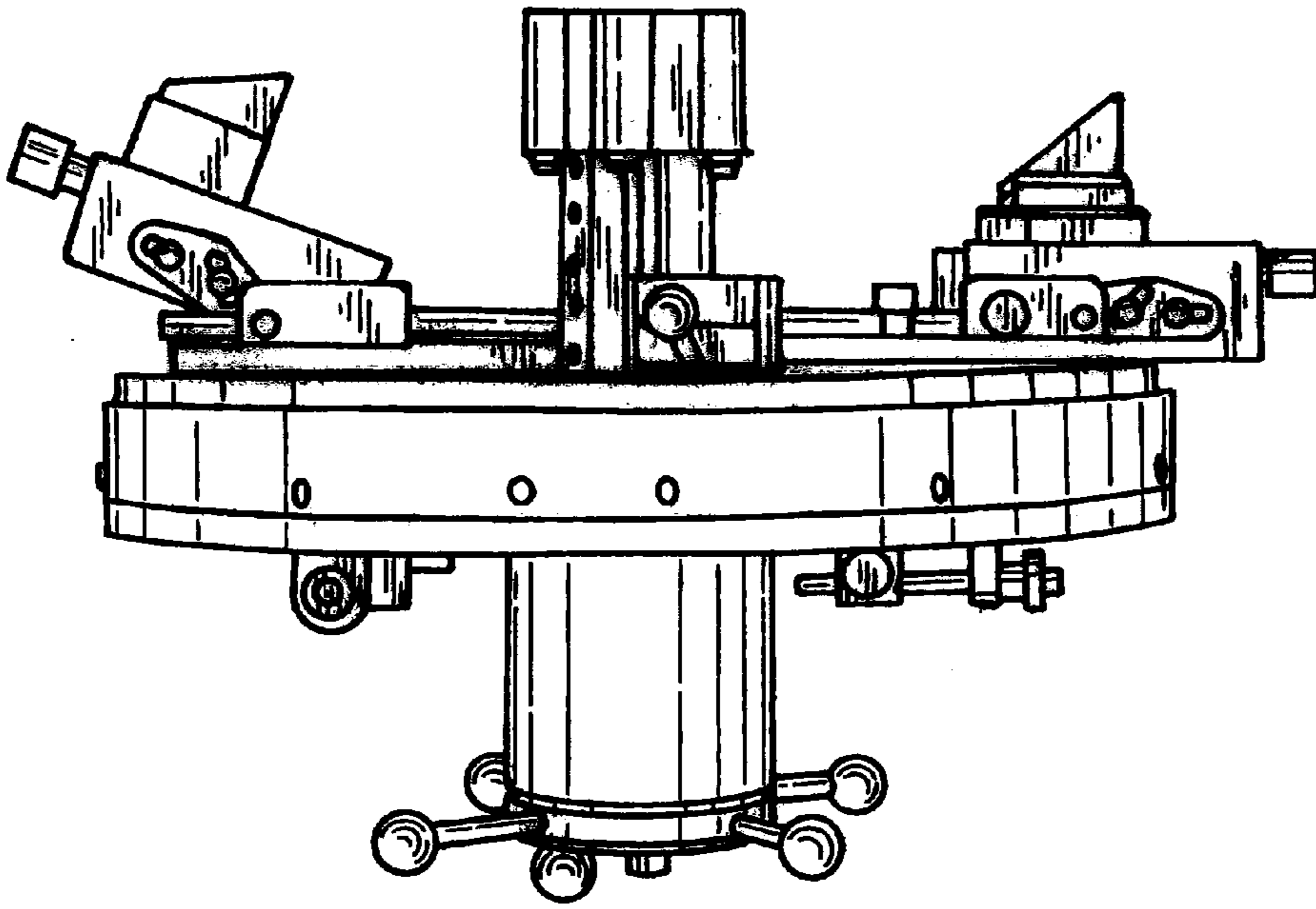


FIG. 6

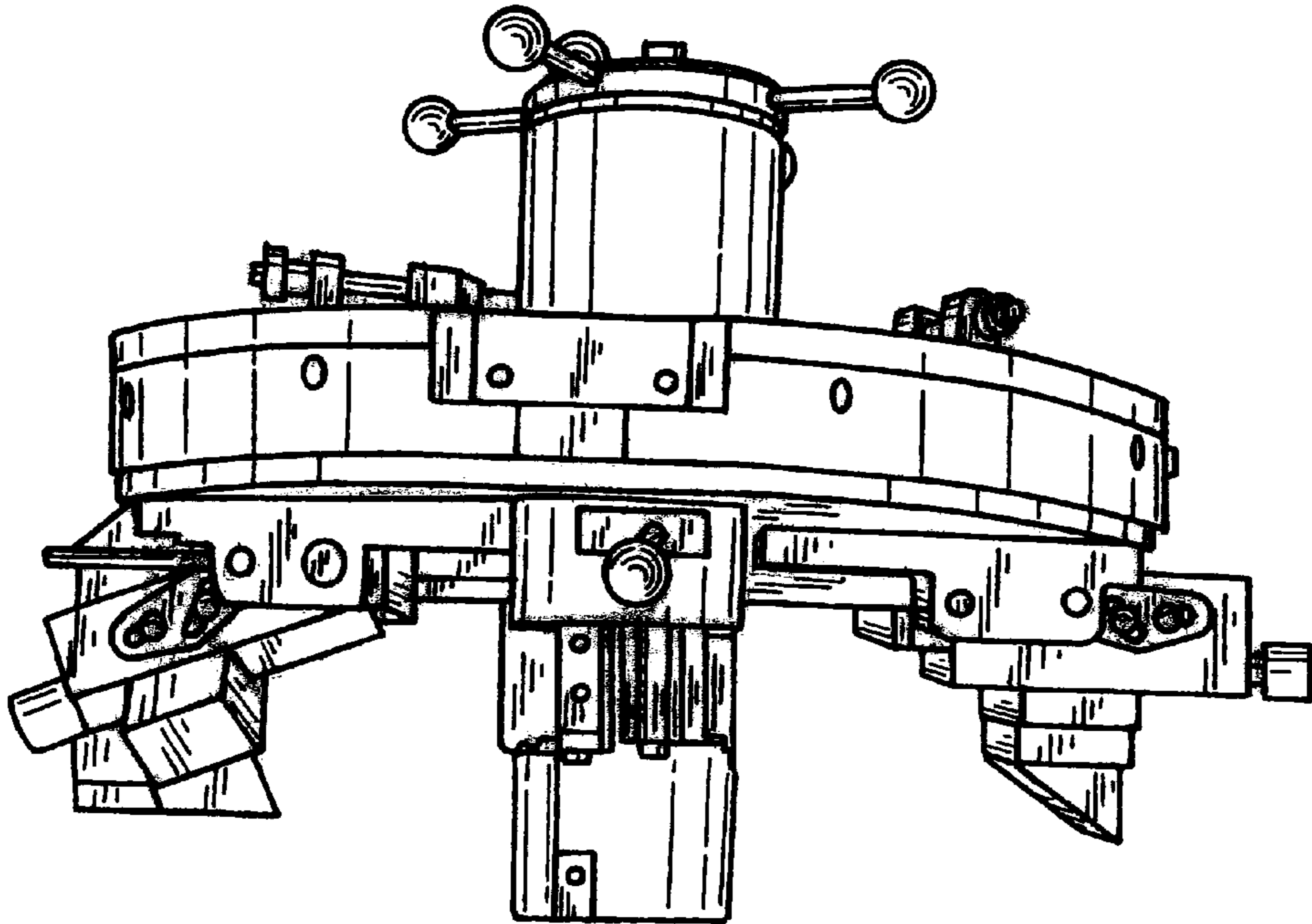


FIG. 5