



US00D427211S

United States Patent [19]
Piterski et al.

[11] **Patent Number: Des. 427,211**
[45] **Date of Patent: ** Jun. 27, 2000**

[54] **CORNER REFRIGERATOR**

[76] Inventors: **Paul J. Piterski; Brahm H. Piterski,**
both of 737 Bay Vista Blvd. South, St.
Petersburg, Fla. 33705

[**] Term: **14 Years**

[21] Appl. No.: **29/110,786**

[22] Filed: **Sep. 14, 1999**

[51] **LOC (7) Cl.** **15-07**

[52] **U.S. Cl.** **D15/85**

[58] **Field of Search** D15/79-91; 312/116,
312/138.1, 236, 238; 62/246, 251, 248,
449, 440, 441

[56] **References Cited**

U.S. PATENT DOCUMENTS

- D. 143,753 2/1946 Pinelli .
- D. 216,226 12/1969 Bavroero .
- D. 278,342 4/1985 Damkjaer .
- D. 299,145 12/1988 Kuwabara et al. .
- D. 326,461 5/1992 Nakao et al. D15/86
- 2,869,331 1/1959 Koon .
- 5,730,513 3/1998 Lemon et al. 312/236

OTHER PUBLICATIONS

Picture of stainless steel built-in refrigerator; no page number; from undated catalog issued by Sub-Zero Freezer Company, Inc., P.O. Box 44130, Madison, WI.

Picture of built-in refrigerator. p. 9, GE Home Products and Services Catalog, General Electric Company, Louisville KY 40225, Publication No. 24-C089, Mar., 1999.

Primary Examiner—B. J. Bullock
Attorney, Agent, or Firm—David Kiewit

[57] **CLAIM**

The ornamental design for a corner refrigerator, as shown and described.

DESCRIPTION

FIG. 1 is a perspective view of a corner refrigerator showing our new design.

FIG. 2 is a left side elevational view thereof, the right side view being a mirror image.

FIG. 3 is a front elevational view the corner refrigerator.

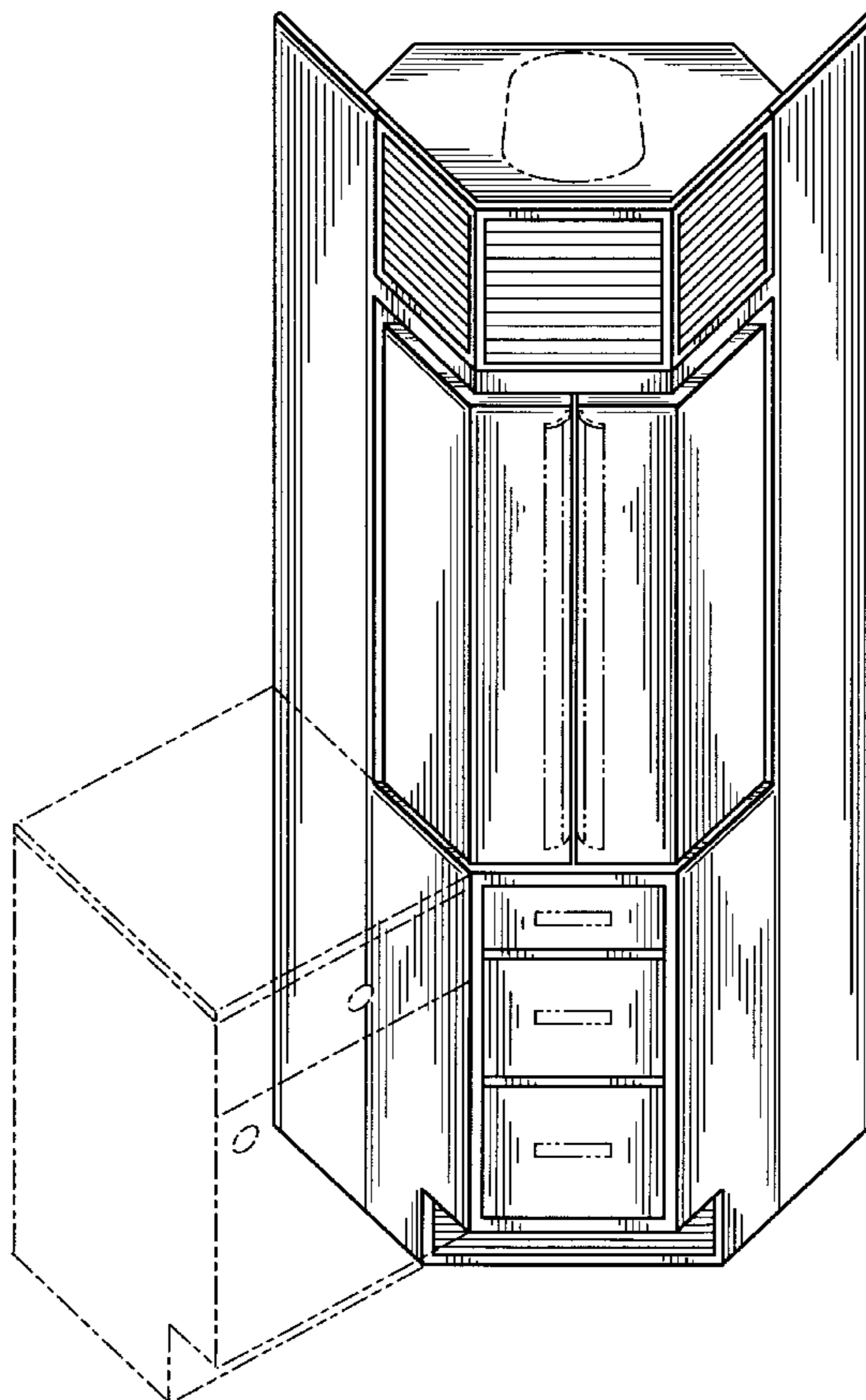
FIG. 4 is a rear elevational view thereof.

FIG. 5 is a bottom plan view thereof; and,

FIG. 6 is a top plan view thereof.

The broken line showing is for illustrative purposes only and forms no part of the claimed design.

1 Claim, 6 Drawing Sheets



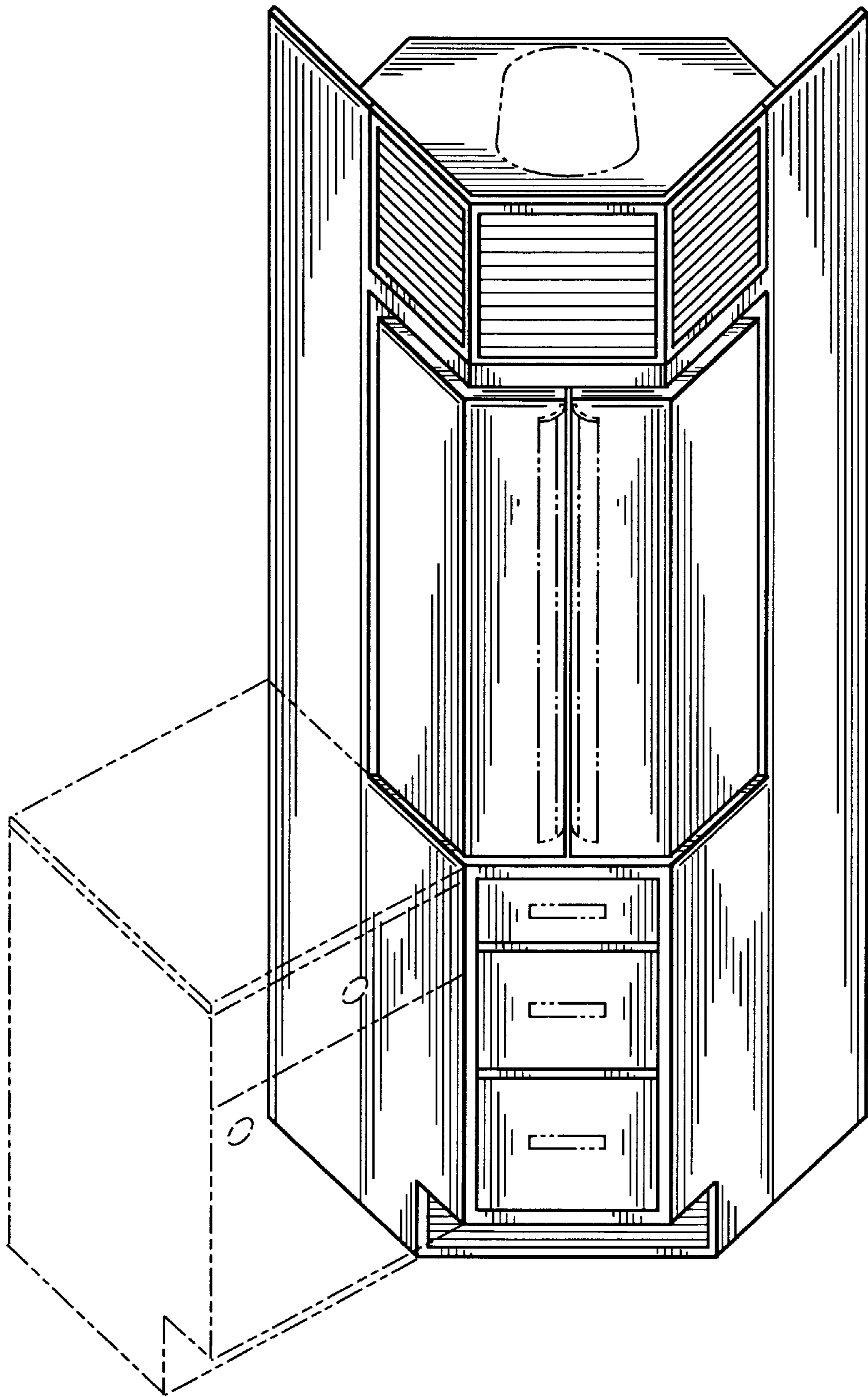


FIG. 1

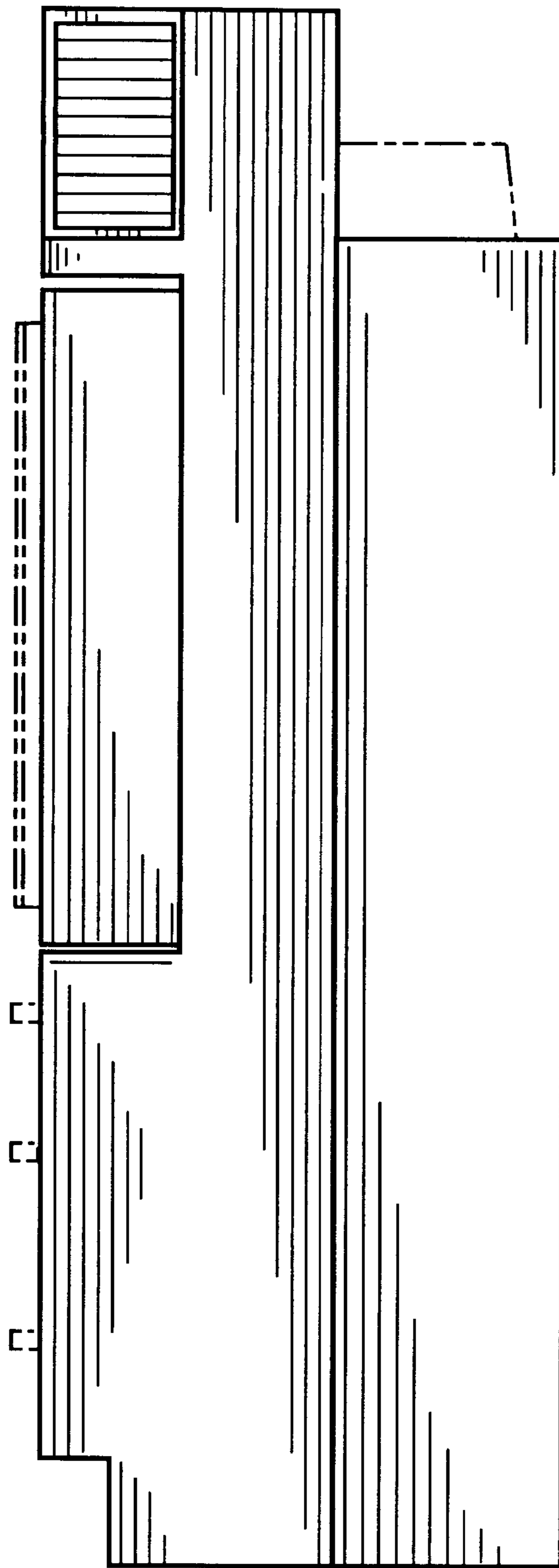


FIG. 2

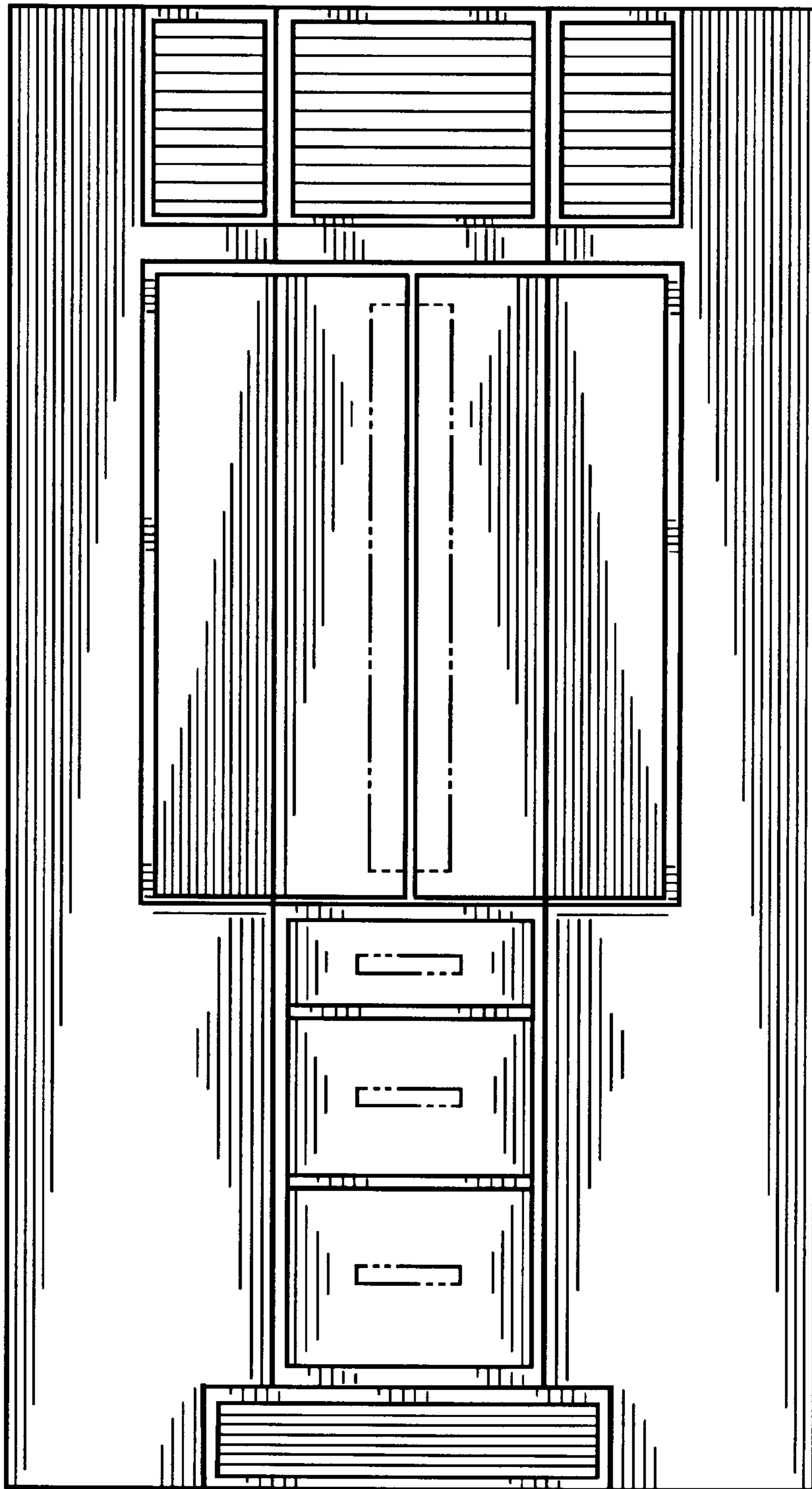


FIG. 3

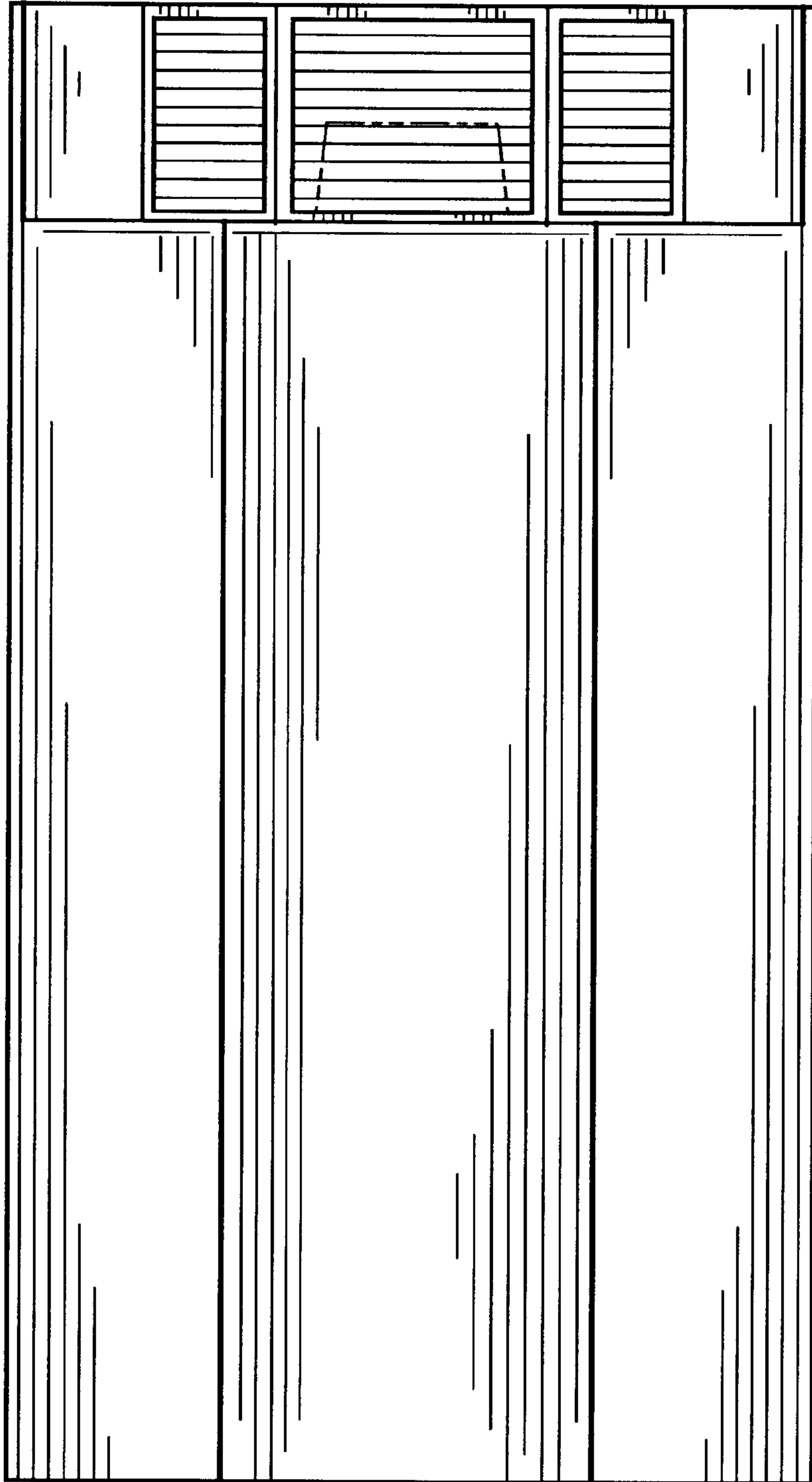


FIG. 4

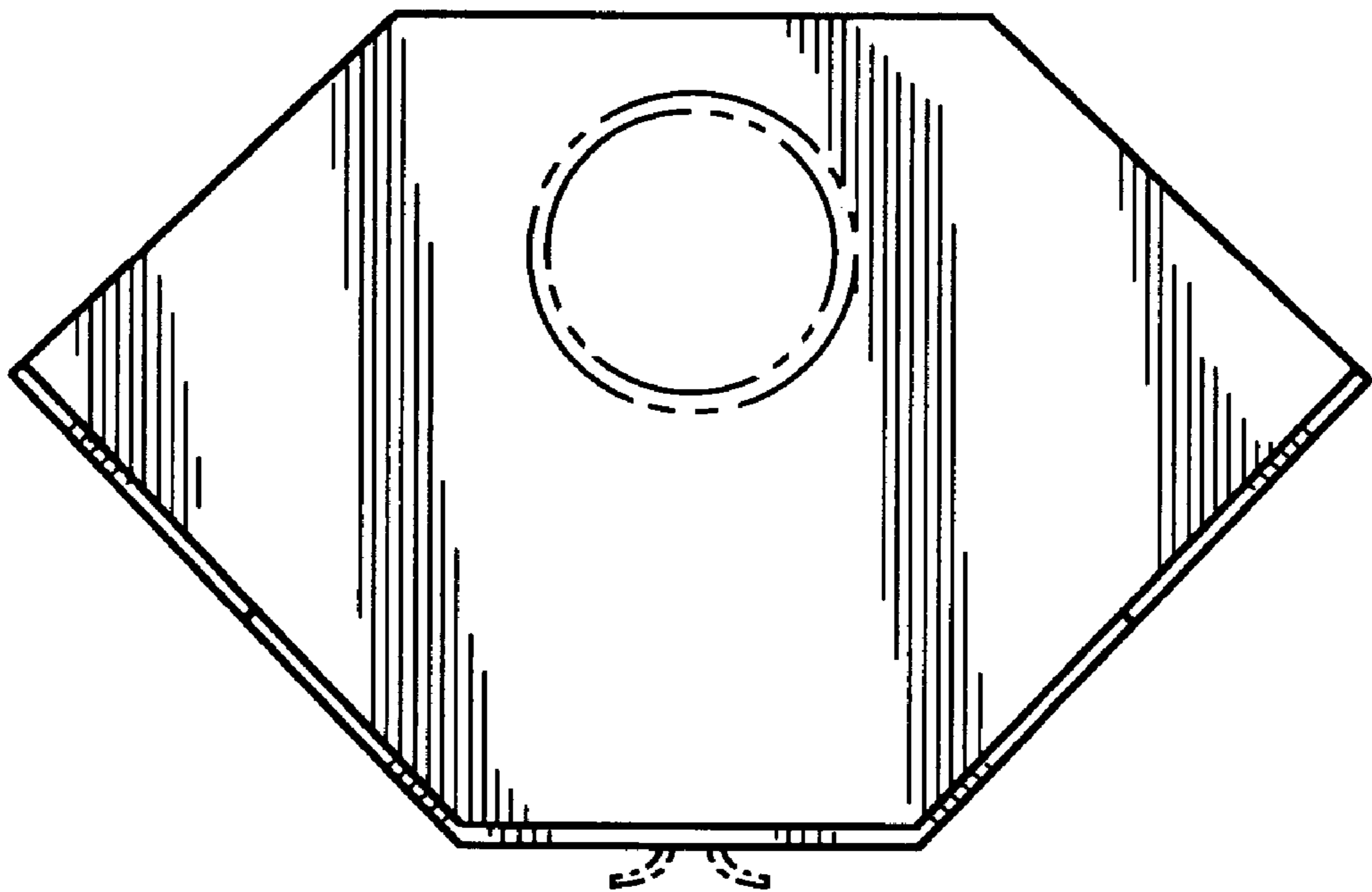


FIG. 5

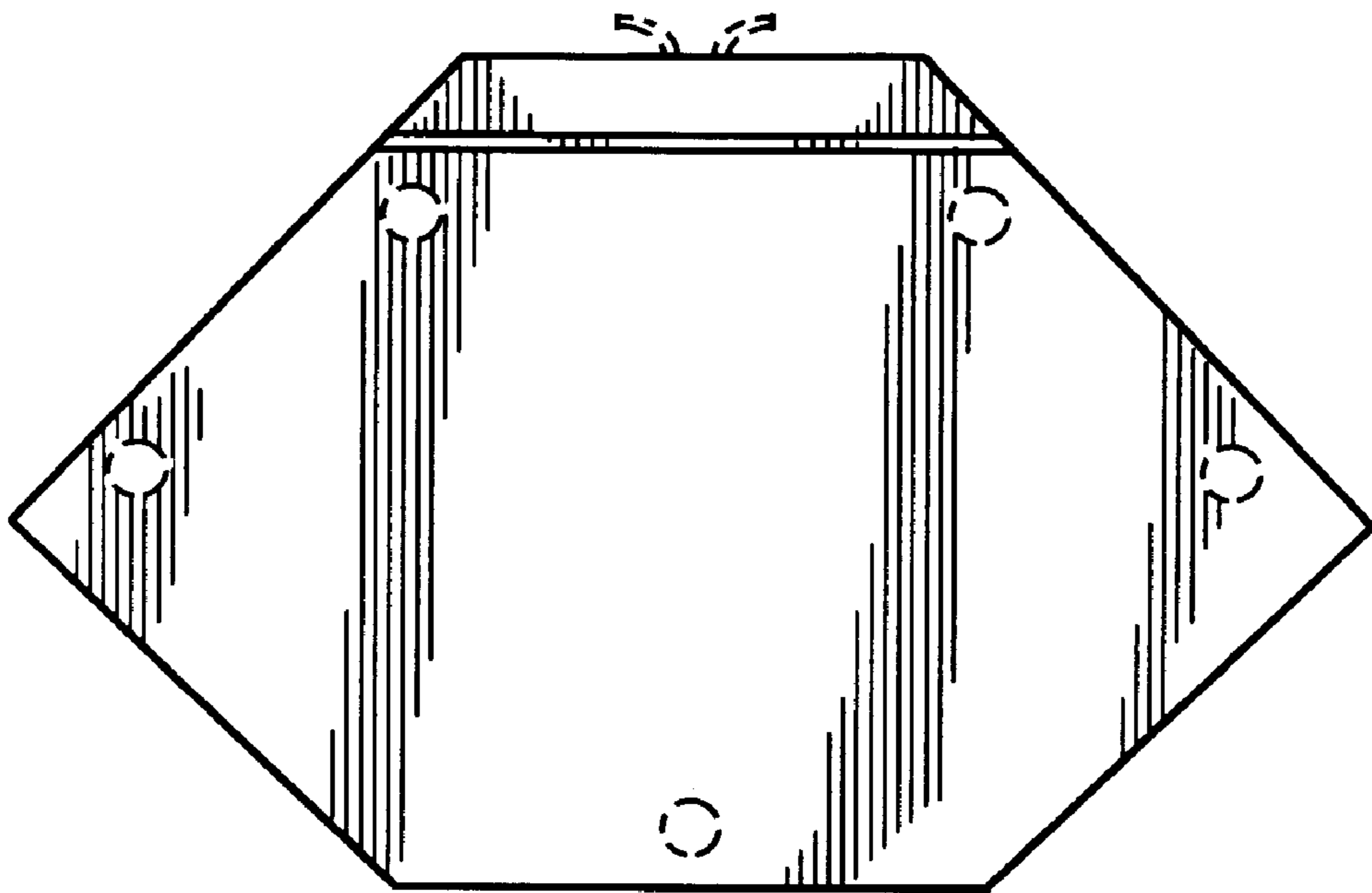


FIG. 6