



US00D427210S

United States Patent [19] Tsukida

[11] **Patent Number: Des. 427,210**
[45] **Date of Patent: ** Jun. 27, 2000**

[54] **REFRIGERATED OPEN SHOWCASE**
[75] Inventor: **Hitoshi Tsukida**, Saga-gun, Japan
[73] Assignee: **Sanden Corporation**, Gunma, Japan
[**] Term: **14 Years**
[21] Appl. No.: **29/105,989**
[22] Filed: **Jun. 8, 1999**
[51] **LOC (7) Cl.** **15-07**
[52] **U.S. Cl.** **D15/83; D6/471**
[58] **Field of Search** D6/470, 471, 472;
D15/81, 83, 84; 62/444, 445, 457.9, 246,
251; 312/114, 116, 119, 122, 126, 127,
128, 129, 130, 137, 138.1, 139.1, 236,
249

4,608,776 9/1986 Kooy 312/116 X

FOREIGN PATENT DOCUMENTS

694346 12/1986 Japan .
694346-1 12/1986 Japan .
694346-2 12/1986 Japan .

Primary Examiner—Cathron B. Matta
Attorney, Agent, or Firm—Banner & Witcoff, Ltd.

[57] CLAIM

The ornamental design for a refrigerated open showcase, as shown and described.

DESCRIPTION

FIG. 1 is a perspective view of a refrigerated open showcase my new design;
FIG. 2 is a front elevational view thereof;
FIG. 3 is a right side elevational view thereof, the left side elevational view being a mirror image thereof; and,
FIG. 4 is a top plan view thereof.

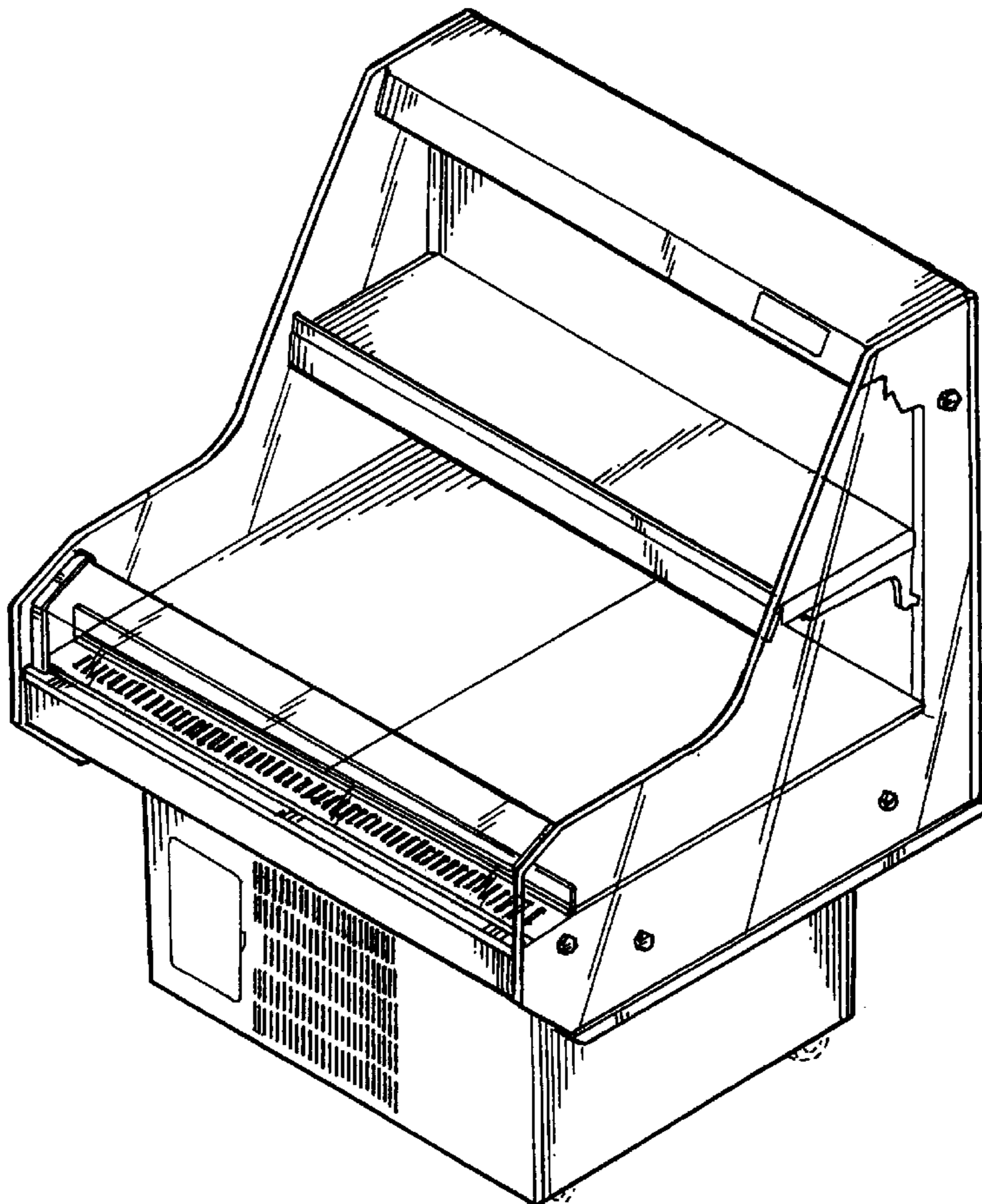
The broken line showings of the wheel assemblies, and the truncated cone-shaped spacers on the rear of the showcase, are for illustrative purposes only and do not form part of the claimed design. The rearwardly-facing back surfaces and the bottom-facing surfaces of the showcase also do not form part of the claimed design.

1 Claim, 2 Drawing Sheets

[56] References Cited

U.S. PATENT DOCUMENTS

D. 209,722 12/1967 Mangiol D6/471
D. 293,986 2/1988 Raufeisen D6/471
D. 323,258 1/1992 Miyabayashi D15/84 X
2,320,556 6/1943 Belshaw 312/278 X
2,994,572 8/1961 Morrison 312/116
4,489,995 12/1984 Barr 312/116 X
4,592,209 6/1986 Casanova 62/256 X



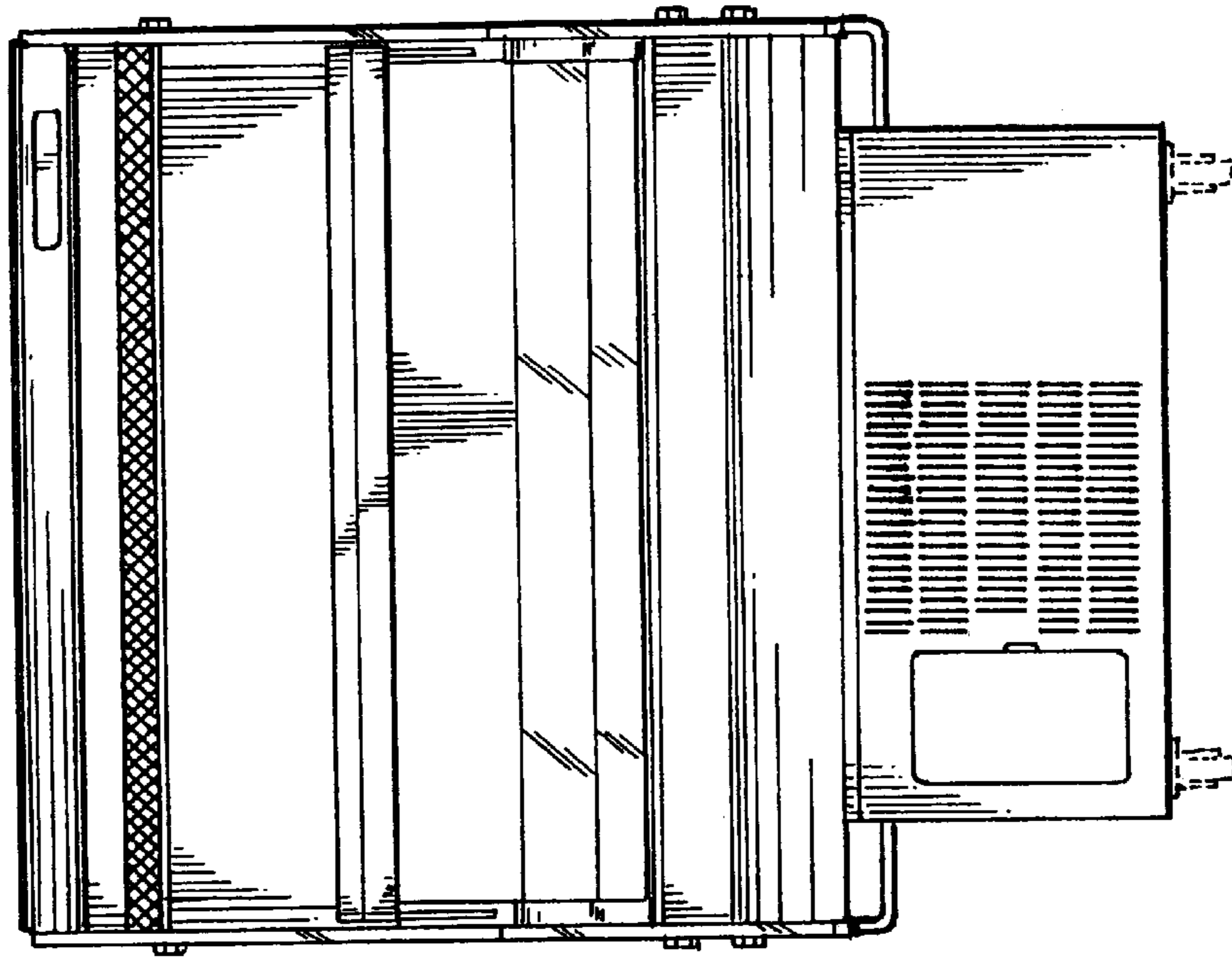


FIG. 2

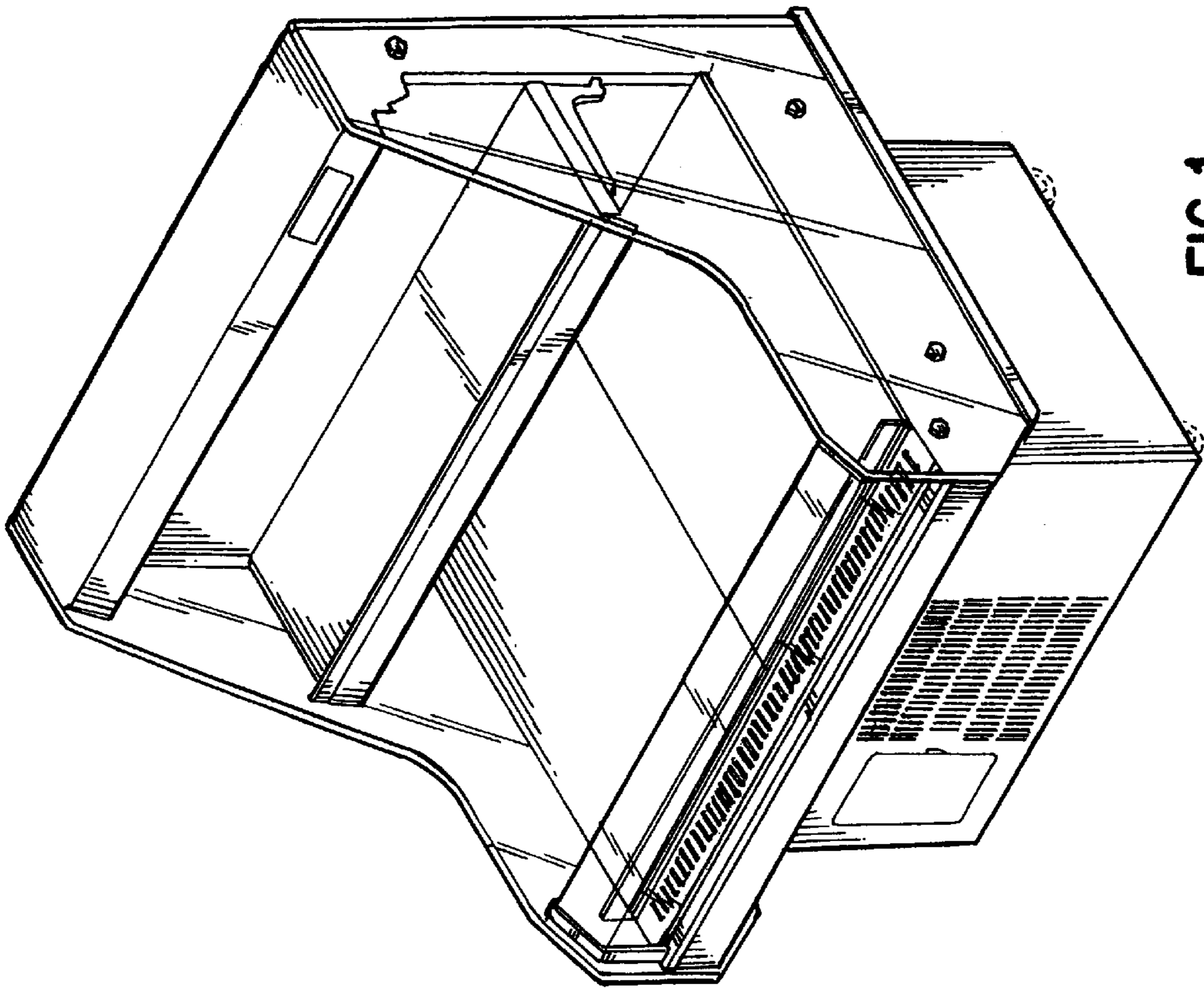


FIG. 1

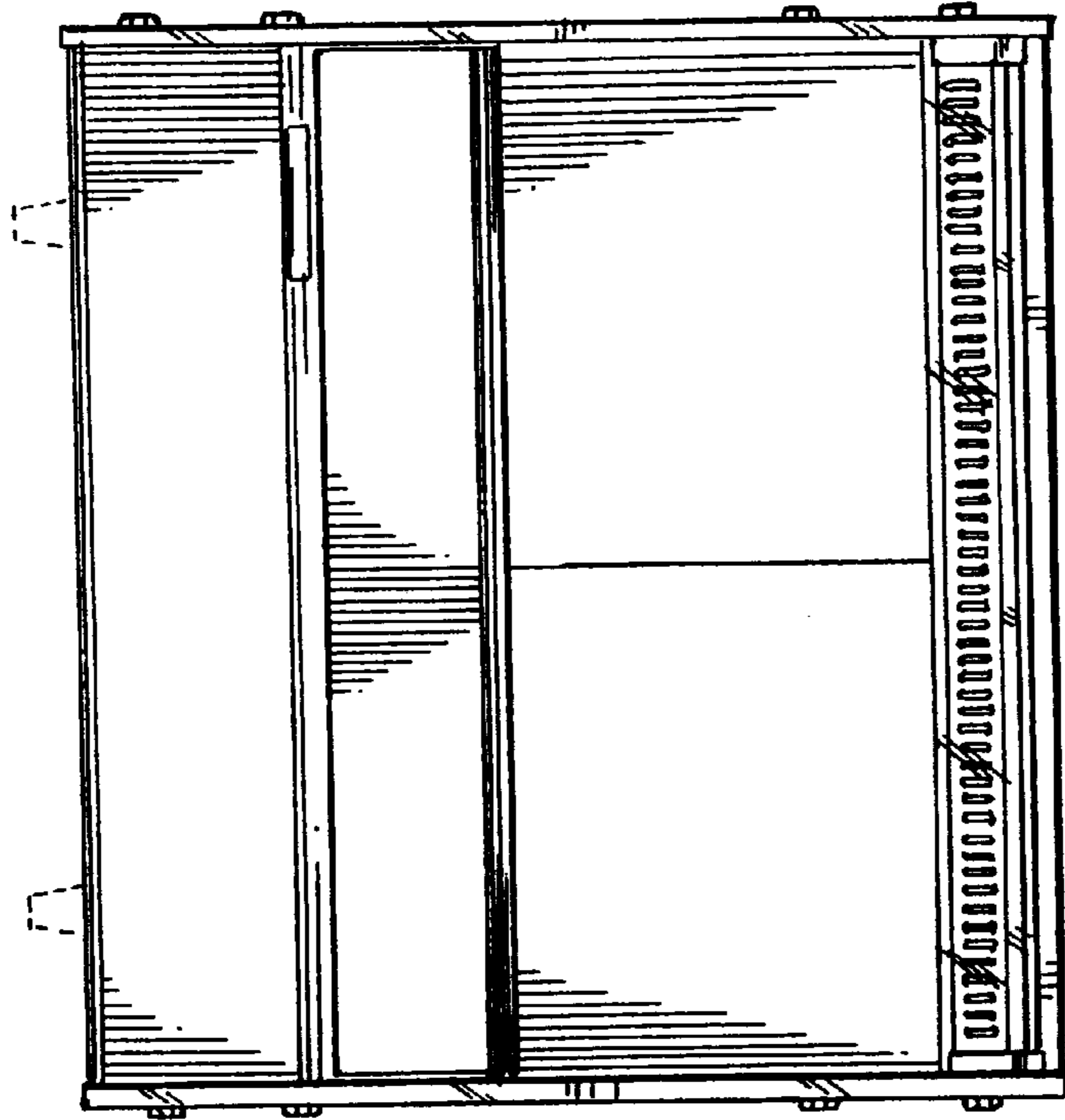


FIG. 4

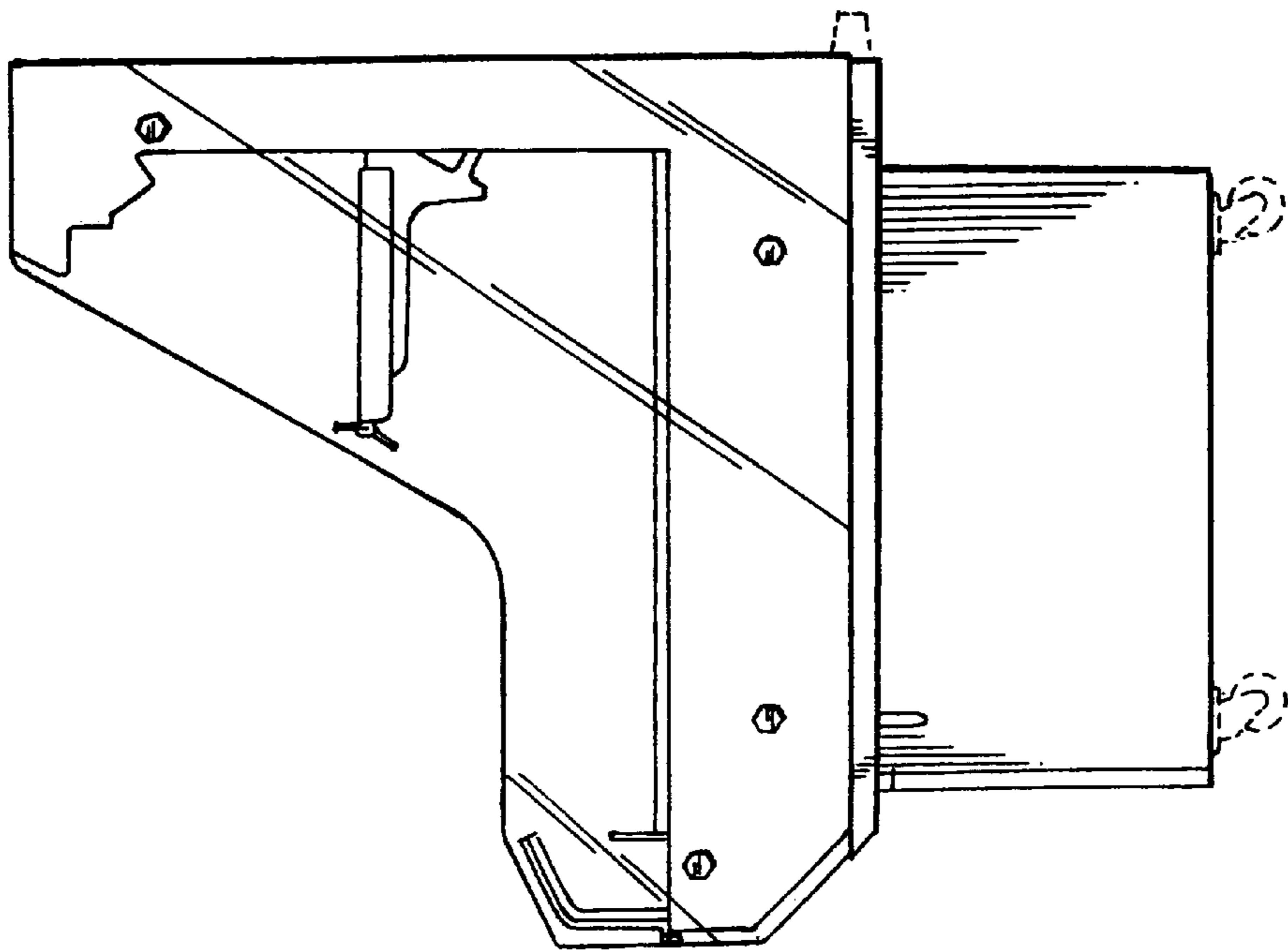


FIG. 3