



US00D427207S

United States Patent [19]

[11] **Patent Number: Des. 427,207**

Altmann et al.

[45] **Date of Patent: ** Jun. 27, 2000**

[54] **RIGHT HAND ARMREST**

D. 361,915	9/1995	Zinnbauer	D6/501
4,040,499	8/1977	Kestian et al.	180/333
4,200,166	4/1980	Hansen	180/333
4,478,308	10/1984	Klaassen	180/333
5,938,282	8/1999	Epple	180/333

[75] Inventors: **Caryn M. Altmann**, Buffalo Grove; **Thomas M. Cameron**, Waukegan; **Eugene J. Golec**, Mt. Prospect, all of Ill.; **Jeffrey E. Hallgren**, Menasha, Wis.; **Hadyn H. Kerner**, Ingleside, Ill.

Primary Examiner—Sandra L. Morris
Attorney, Agent, or Firm—Edward G. Fiorito

[73] Assignee: **Komatsu America International Company**, Vernon Hills, Ill.

[57] CLAIM

[**] Term: **14 Years**

We claim the ornamental design for a right hand armrest, as shown and described.

[21] Appl. No.: **29/096,485**

DESCRIPTION

[22] Filed: **Nov. 13, 1998**

FIG. 1 is a perspective view illustrating the environment of a right hand armrest, showing our new design; FIG. 2 is an enlarged left side perspective view thereof; FIG. 3 is an enlarged top plan view thereof; FIG. 4 is an enlarged bottom plan view thereof; FIG. 5 is an enlarged left side elevational view thereof; FIG. 6 is an enlarged right side elevational view thereof; FIG. 7 is an enlarged front elevational view thereof; and, FIG. 8 is an enlarged rear elevational view thereof. The elements shown in broken lines are for illustrative purposes only.

[51] **LOC (7) Cl. 15-03**

[52] **U.S. Cl. D15/28; D6/501**

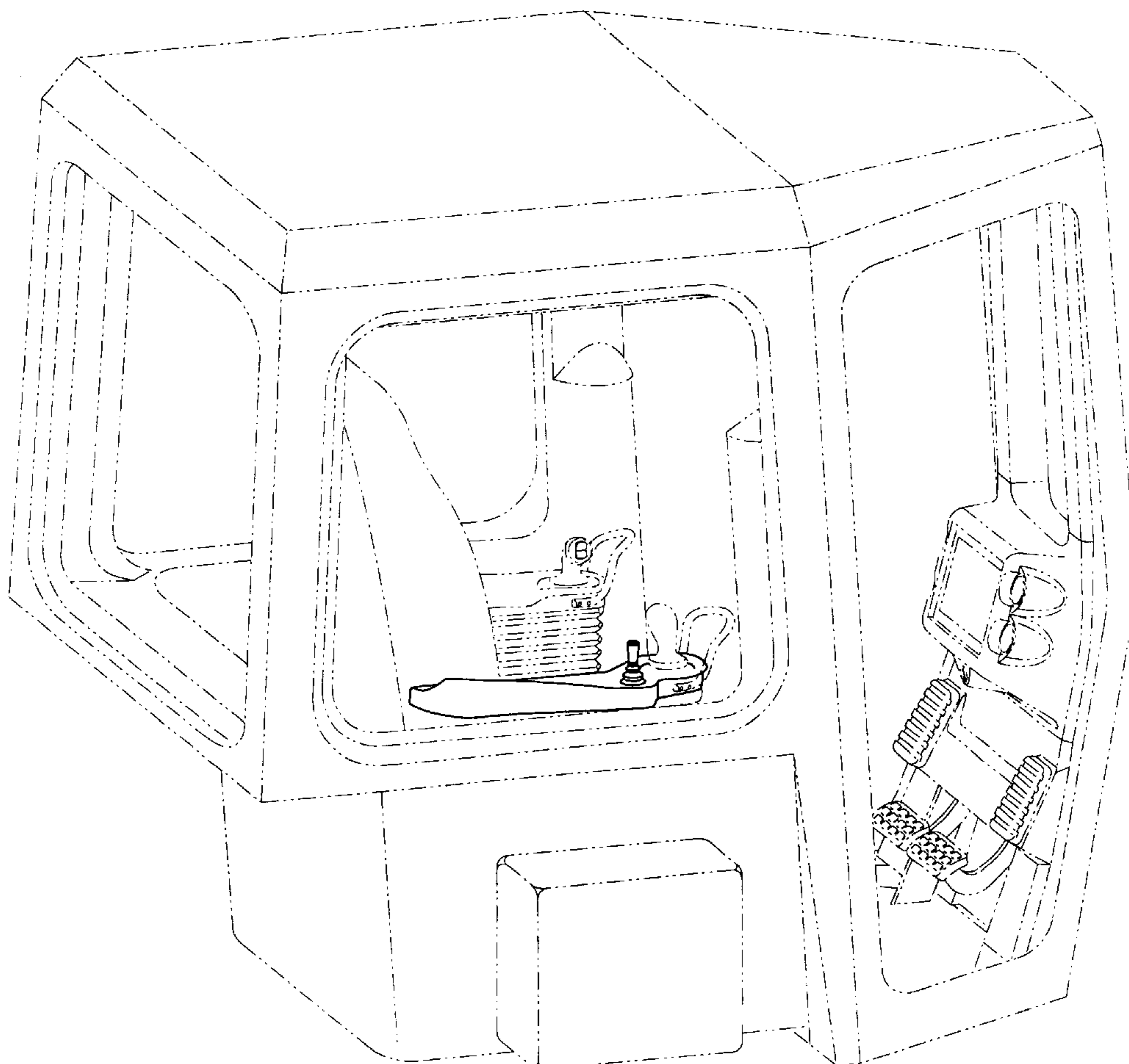
[58] **Field of Search** D6/501, 601; D15/10, D15/17, 22-26, 28, 30; 74/471 XY; 180/333; 297/217.3

[56] References Cited

U.S. PATENT DOCUMENTS

D. 358,956 6/1995 Mitjans D6/501

1 Claim, 3 Drawing Sheets



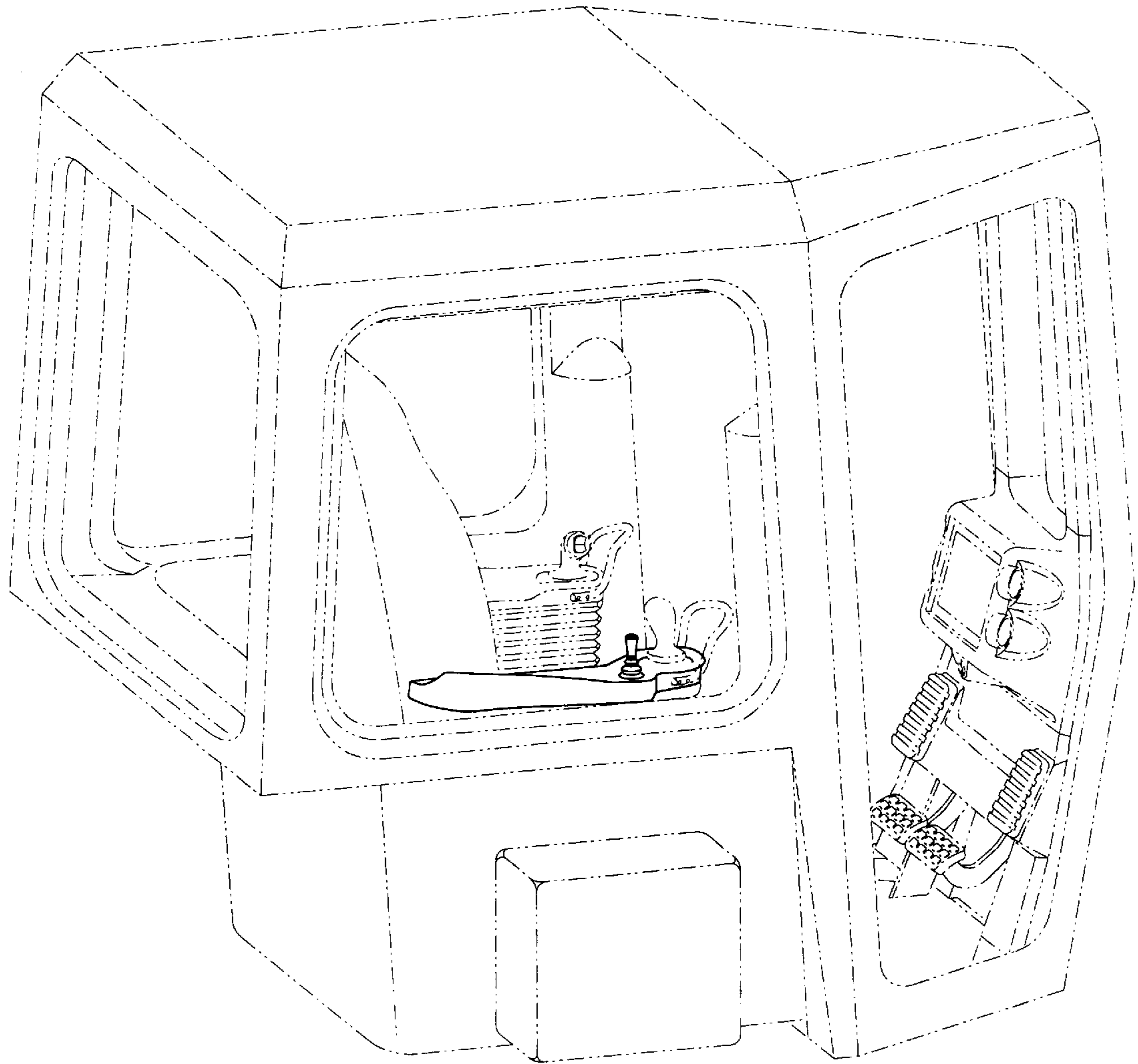


Fig.1

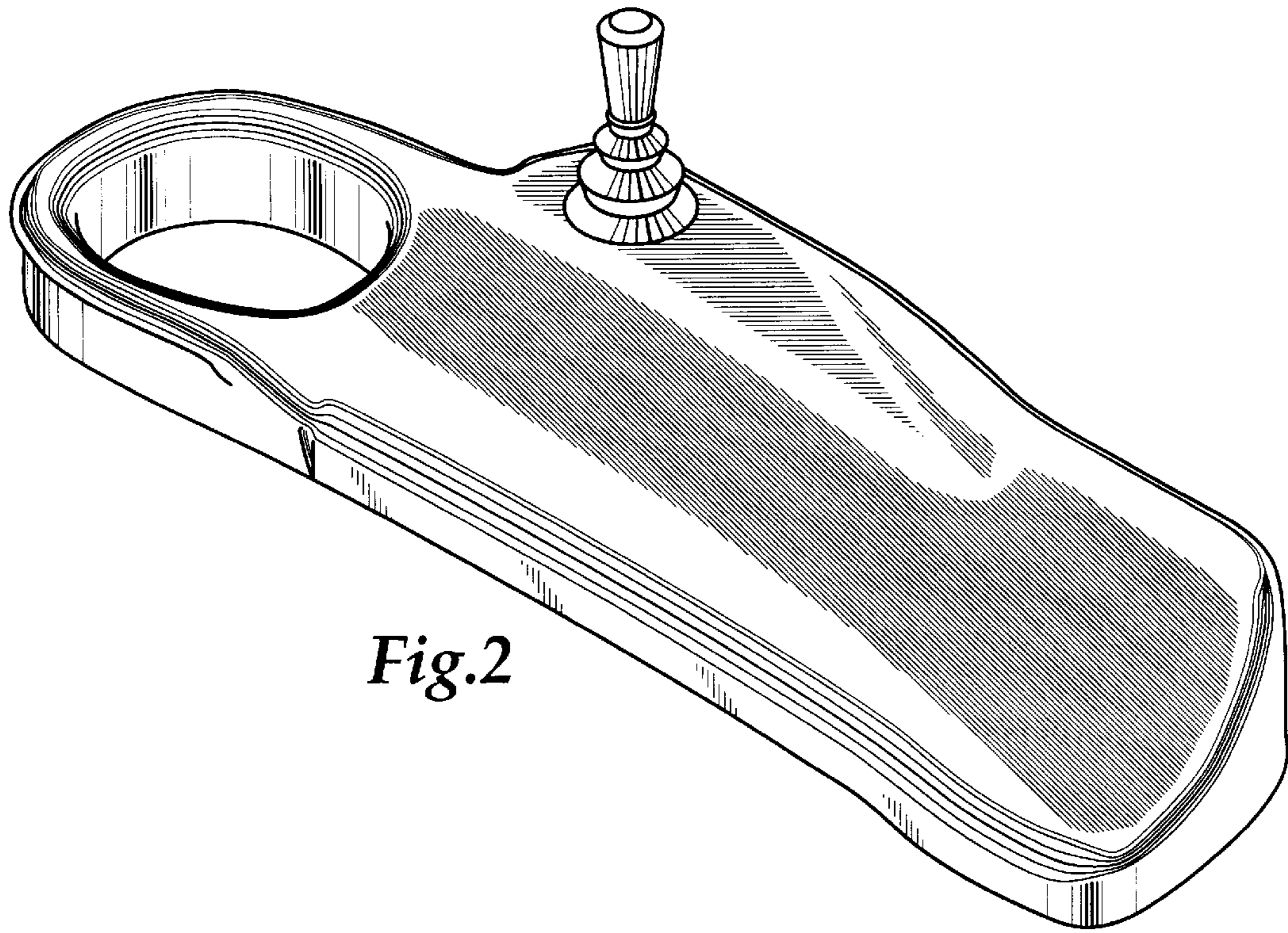


Fig.2

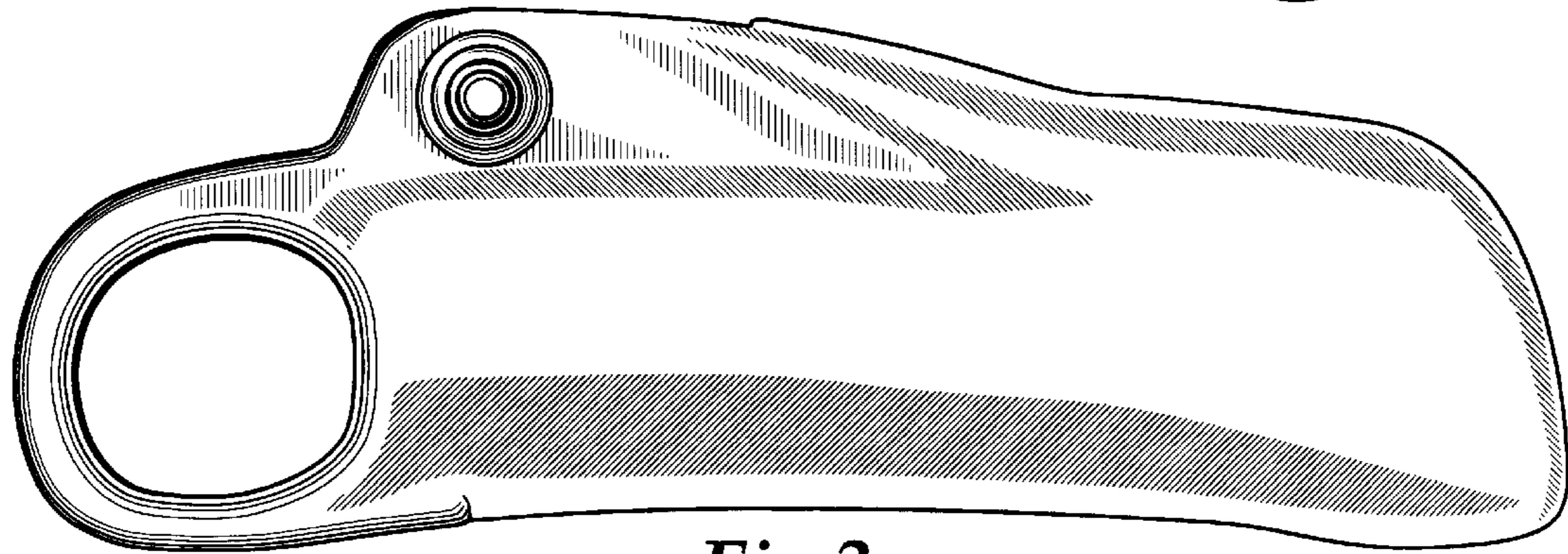


Fig.3

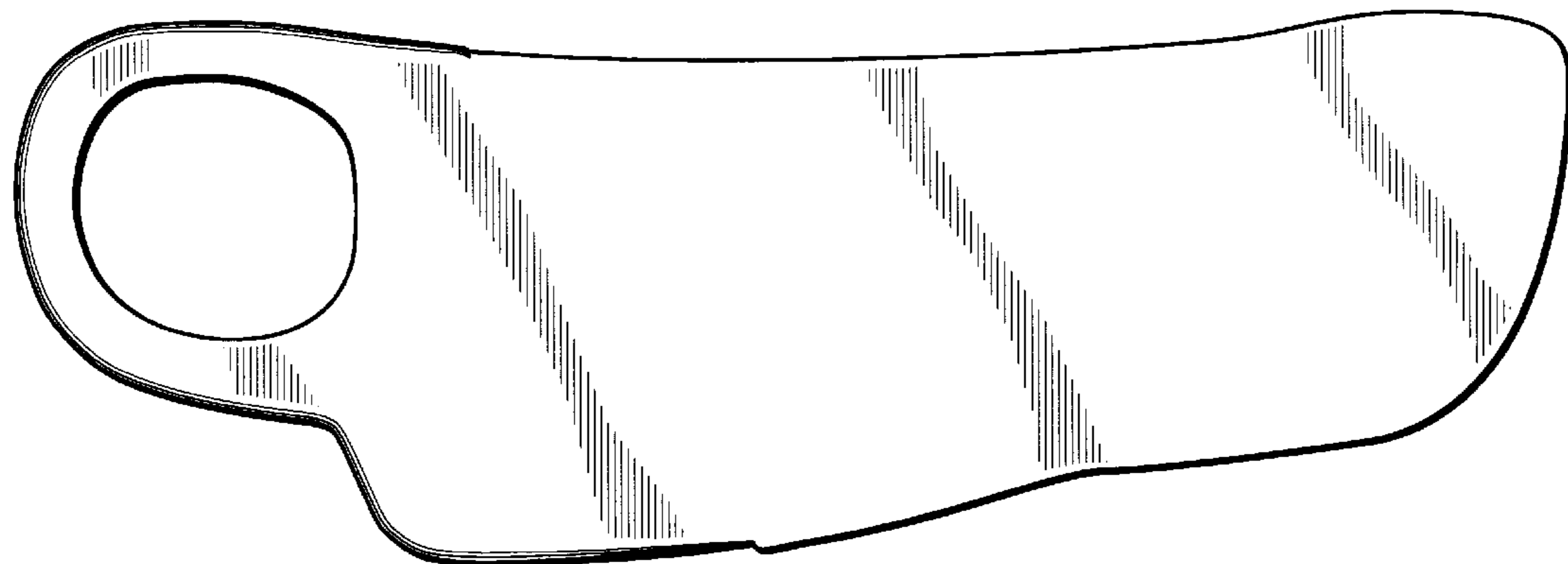


Fig.4

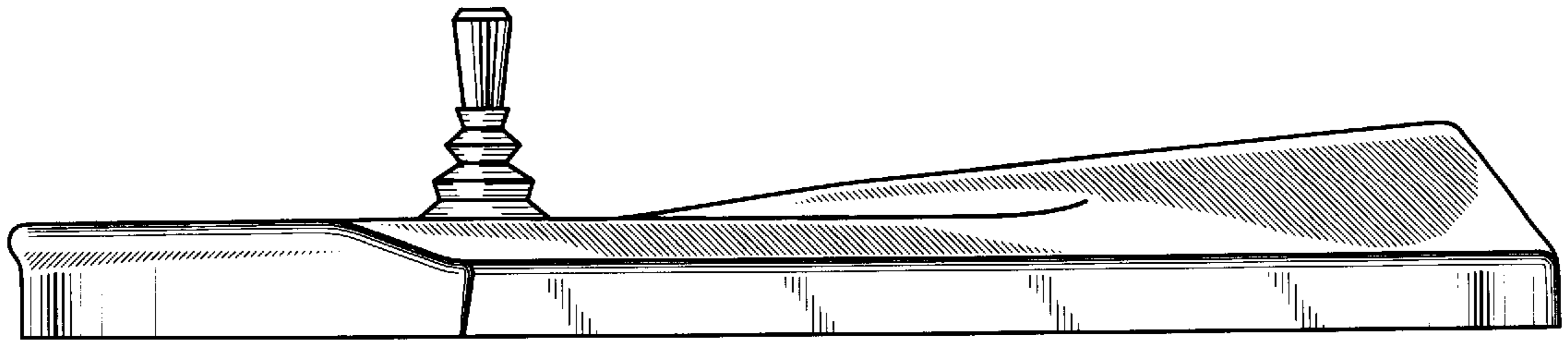


Fig.5

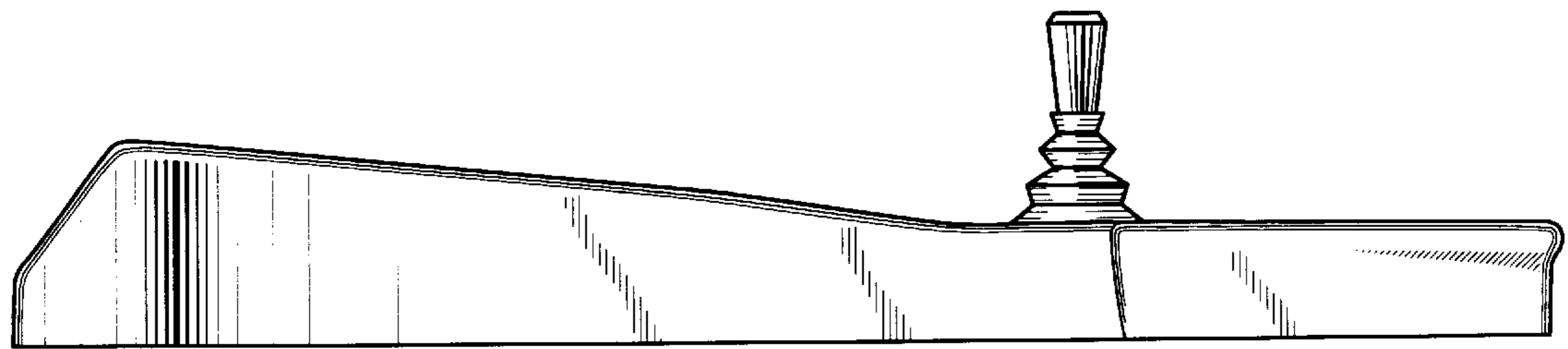


Fig.6

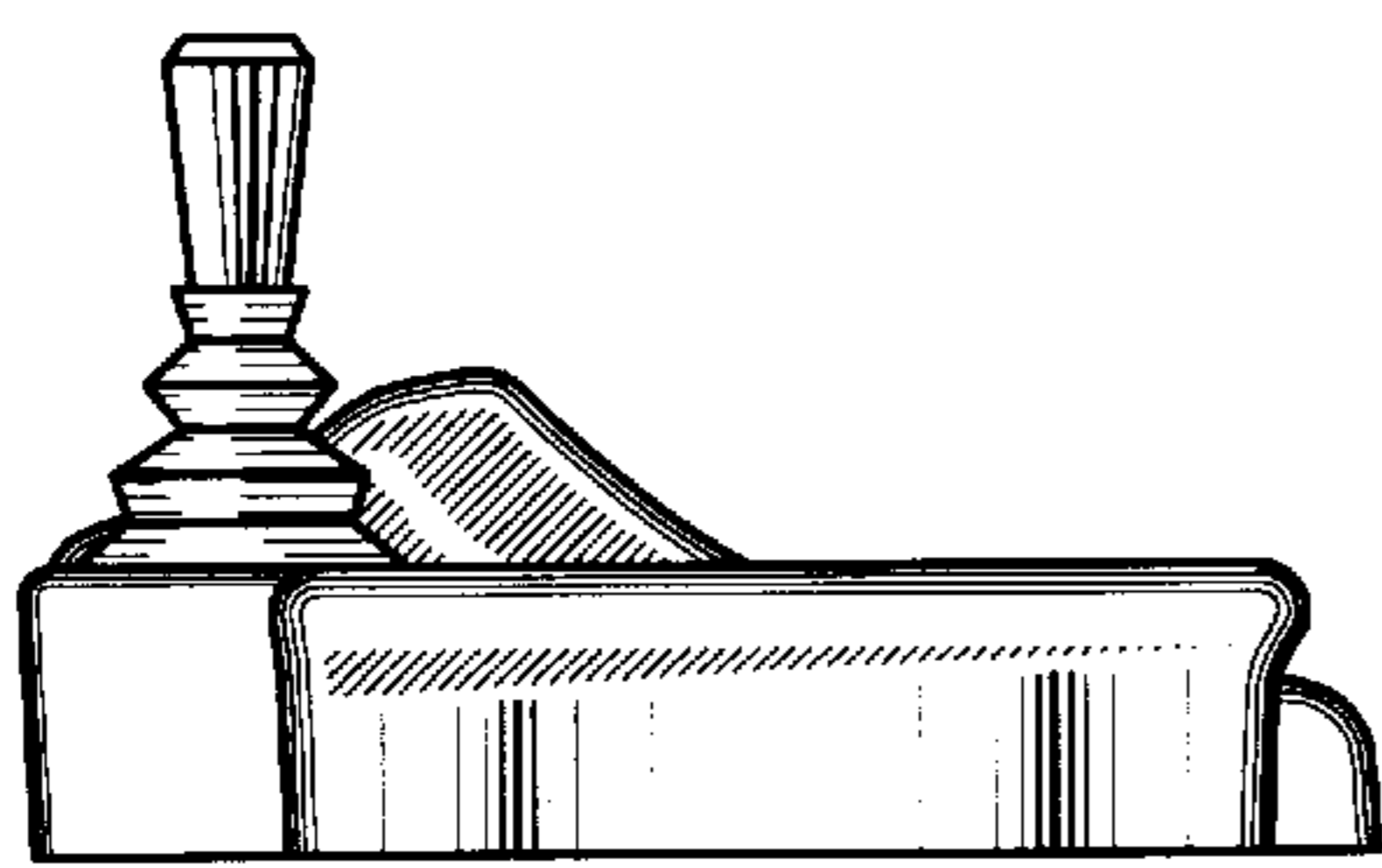


Fig.7

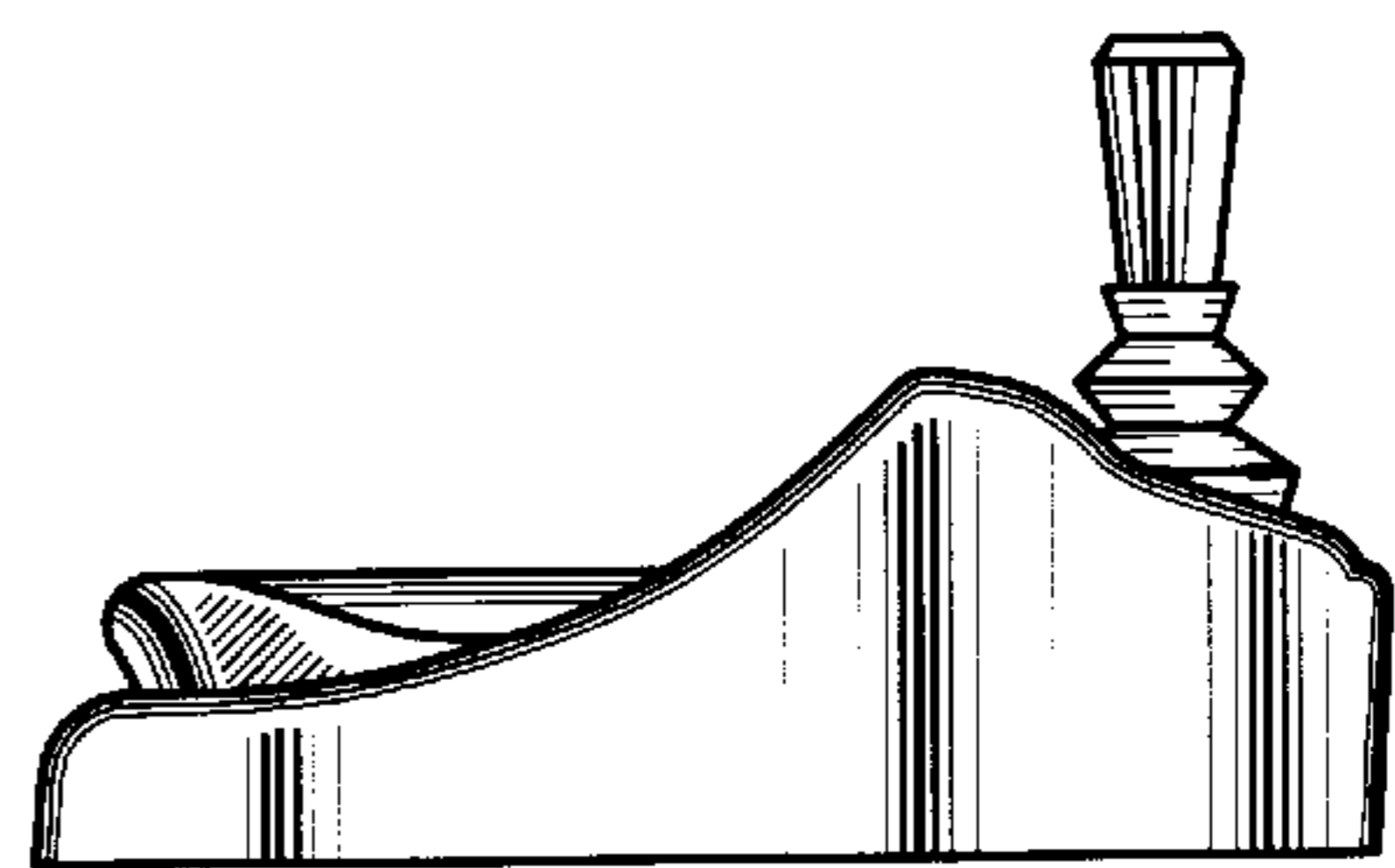


Fig.8