



US00D427206S

United States Patent [19]

Johnson et al.

[11] Patent Number: Des. 427,206

[45] Date of Patent: ** Jun. 27, 2000

[54] MULTIFACETED PRODUCT TANK

[75] Inventors: Lee Alan Johnson, Coal Valley;
Ronald Lee Pratt, Taylor Ridge, both
of Ill.

[73] Assignee: Deere & Company, Moline, Ill.

[**] Term: 14 Years

[21] Appl. No.: 29/092,498

[22] Filed: Aug. 7, 1998

[51] LOC (7) Cl. 15-03

[52] U.S. Cl. D15/28

[58] Field of Search D15/10, 13-17,
D15/28; 56/16.8, DIG. 5; 222/185.1; 239/683,
687

Brochure—Product Showcase, Flexicoil, pp. 1 and 2, date unknown.

Brochure—820 Tillage Unit, Flexicoil, 6 pages, date unknown but prior to Nov. 18, 1994.

Brochure—Air System 2400, Concord, 2 pages, date unknown but prior to Sep. 30, 1993.

Brochure—Century Sprayers, Century, 4 pages, date unknown but prior to Sep. 29, 1993.

Brochure—7000 Series Air Seeder Tank, 4 pages, Morris Industries Ltd., dated Jun. 1994.

Primary Examiner—Sandra L. Morris

[57] CLAIM

The ornamental design for a multifaceted product tank, as shown and described.

[56] References Cited

U.S. PATENT DOCUMENTS

2,861,611	11/1958	Consider	56/DIG. 5
3,100,371	8/1963	Redmon	56/DIG. 5
3,477,212	11/1969	Coffman	56/16.8
4,418,845	12/1983	Hehl	222/185.1
4,541,549	9/1985	Hadley et al.	222/143
4,874,130	10/1989	Wonggem	239/687
5,501,405	3/1996	Doornek	239/683
5,529,222	6/1996	Toth et al.	222/185.1
5,593,067	1/1997	Shaw et al.	222/185.1
5,794,818	8/1998	Bromwell et al.	222/185.1

FOREIGN PATENT DOCUMENTS

1313795	2/1993	Canada	111/33.1
---------	--------	--------	----------

OTHER PUBLICATIONS

Deere & Co., John Deere Parts Catalog PC2348 for 787 Air Seeding System, 2 pages— 8–9 dated Oct. 24, 1994, published in the U.S.A.

DESCRIPTION

FIG. 1 is a perspective view of a multifaceted product tank showing our new design;

FIG. 2 is a side profile thereof;

FIG. 3 is an opposite side profile thereof;

FIG. 4 is a front elevational view thereof;

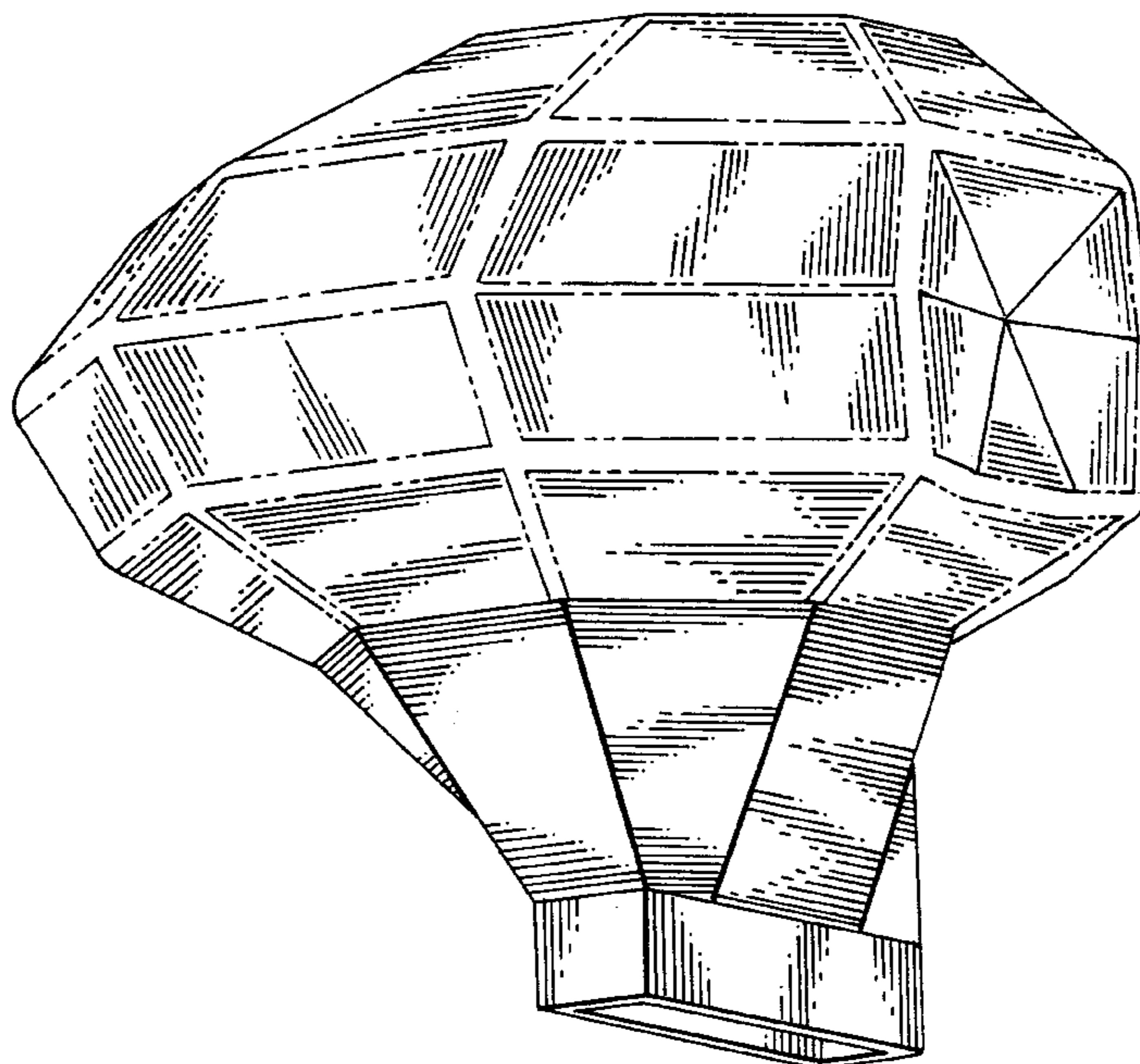
FIG. 5 is a rear elevational view thereof;

FIG. 6 is a top plan view thereof;

FIG. 7 is a bottom view thereof; and,

FIG. 8 is a top plan view of a multifaceted product tank according to an alternate embodiment of our new design without an opening at the top and whose other views are identical to those shown in FIGS. 1–5 and 7.

1 Claim, 8 Drawing Sheets



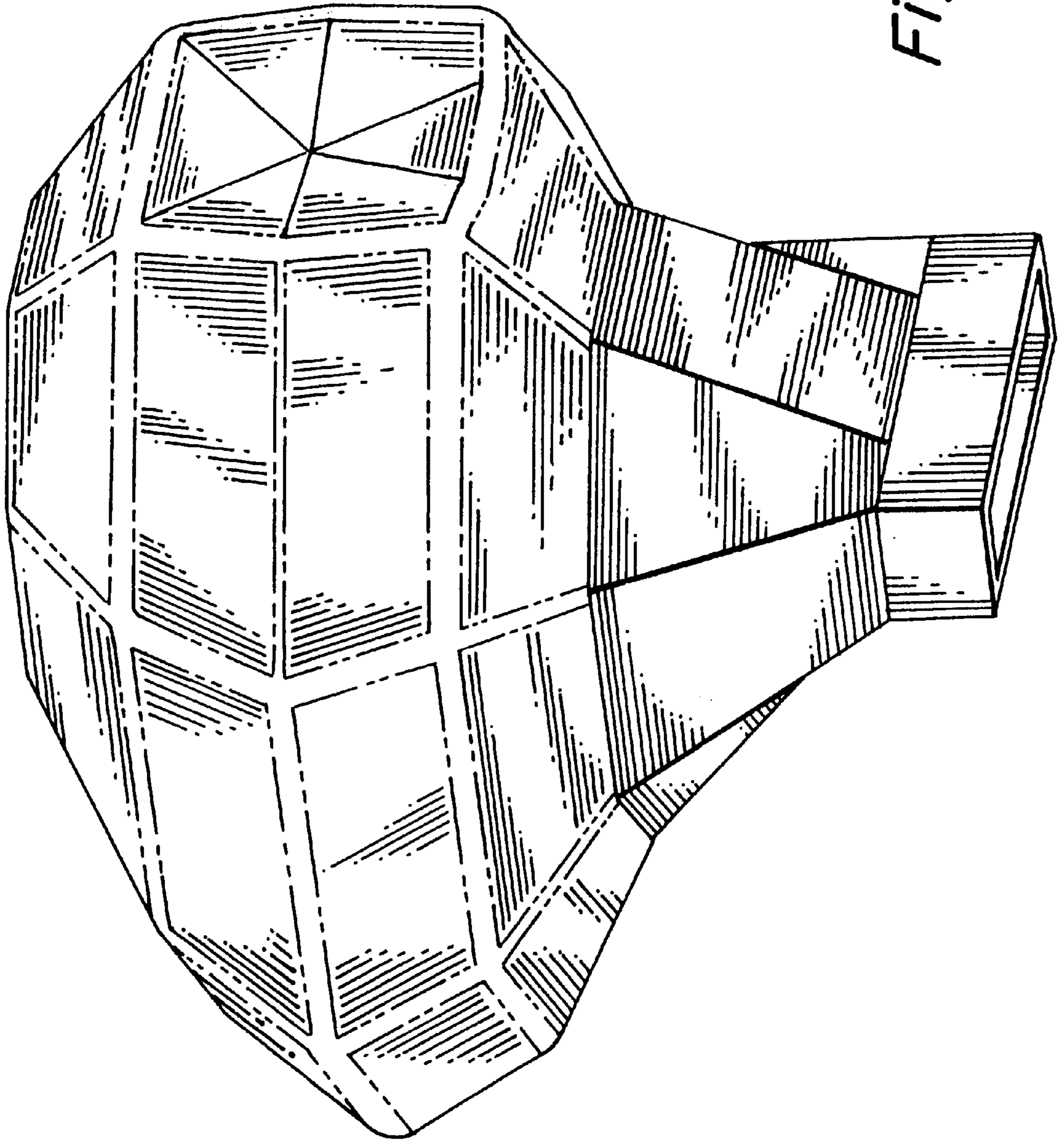


Fig. 1

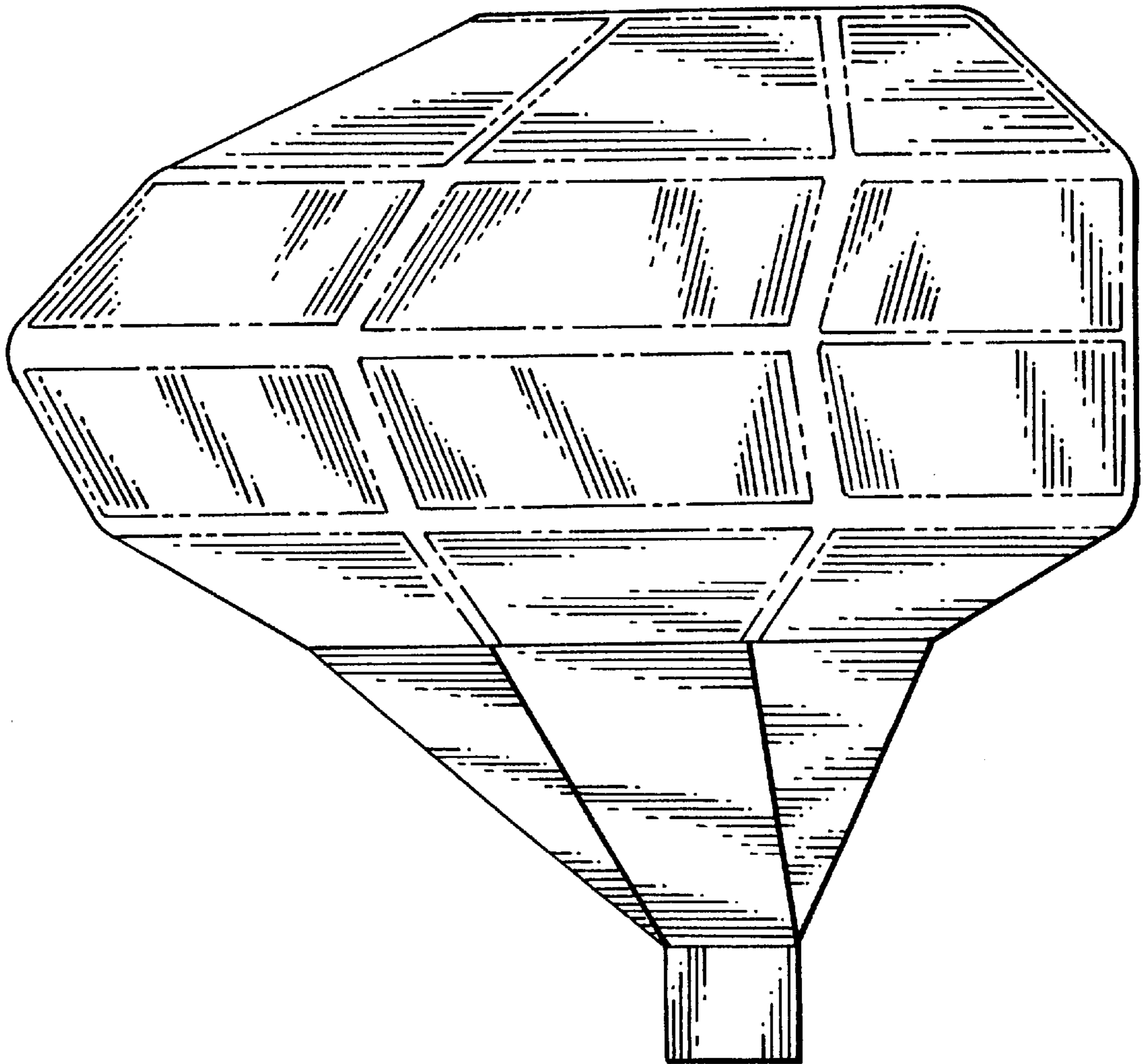


Fig. 2

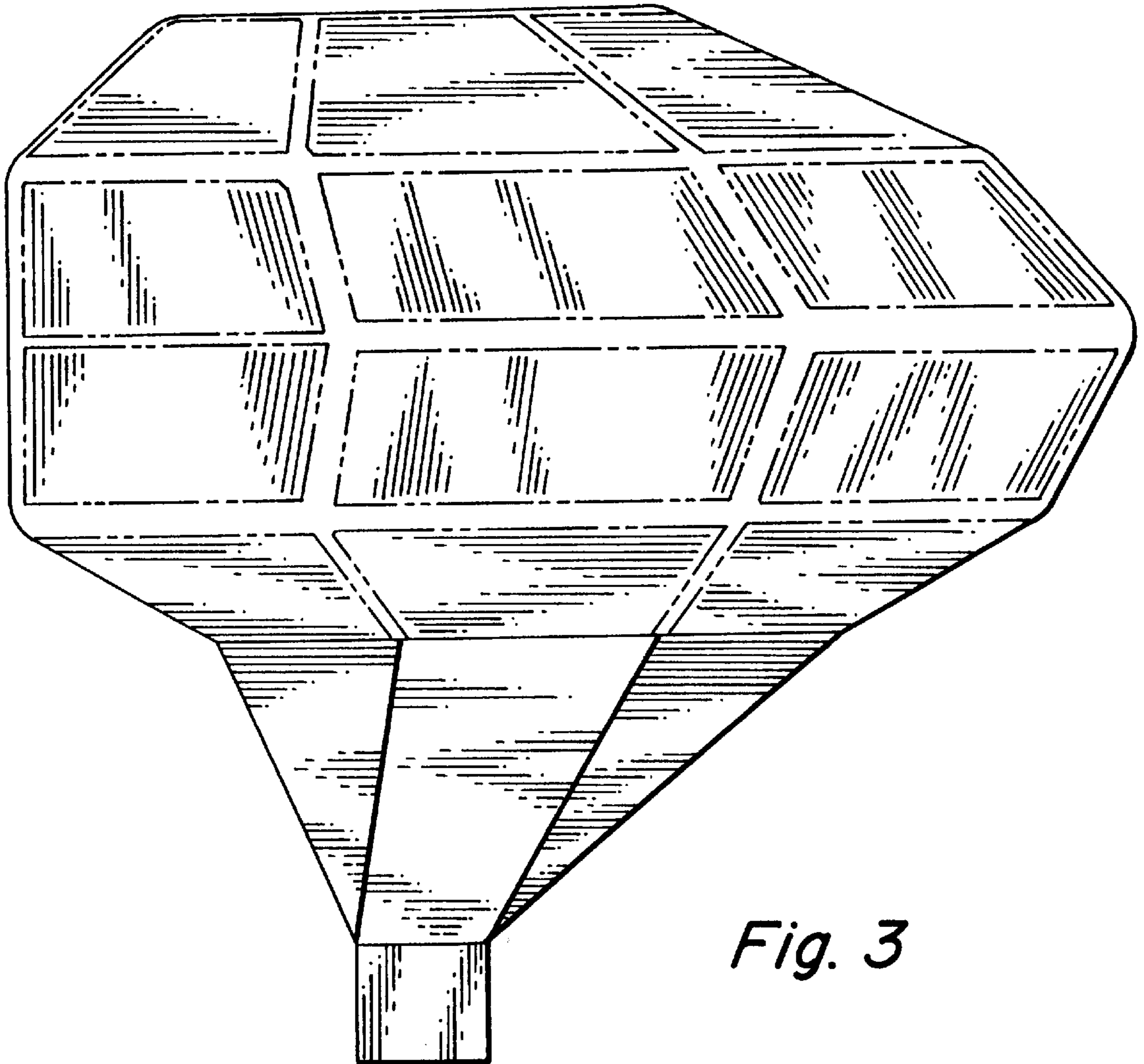


Fig. 3

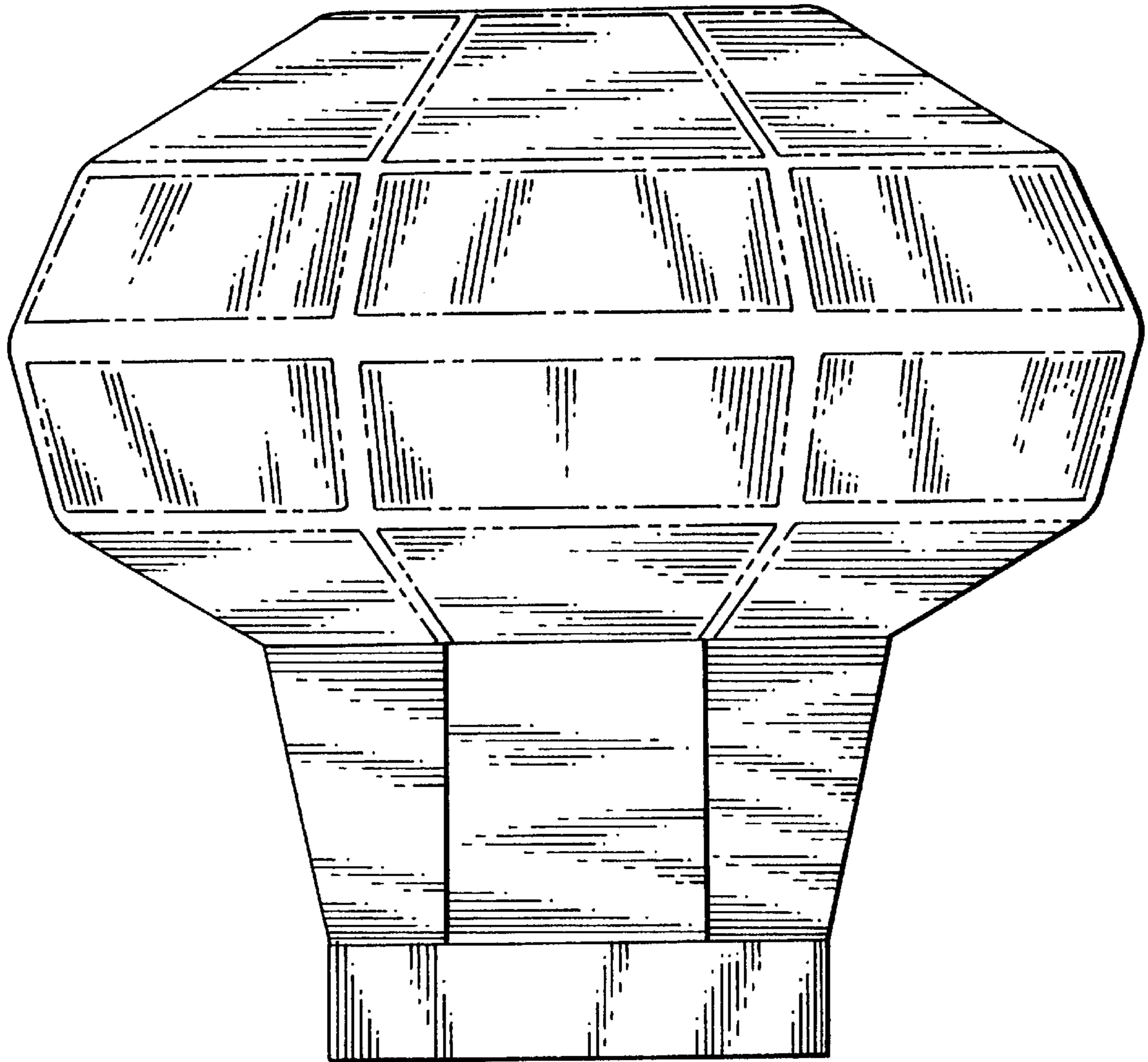


Fig. 4

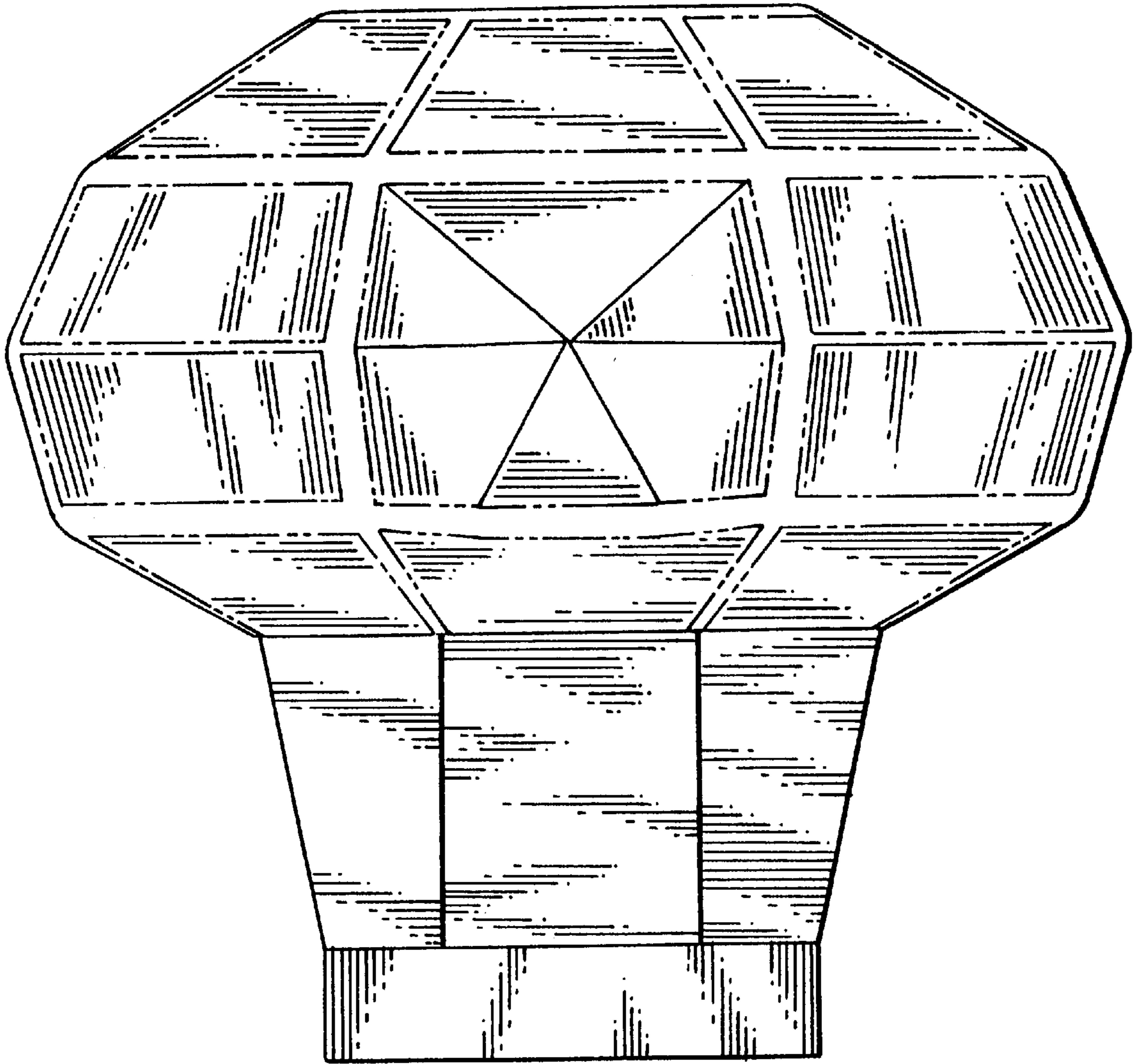


Fig. 5

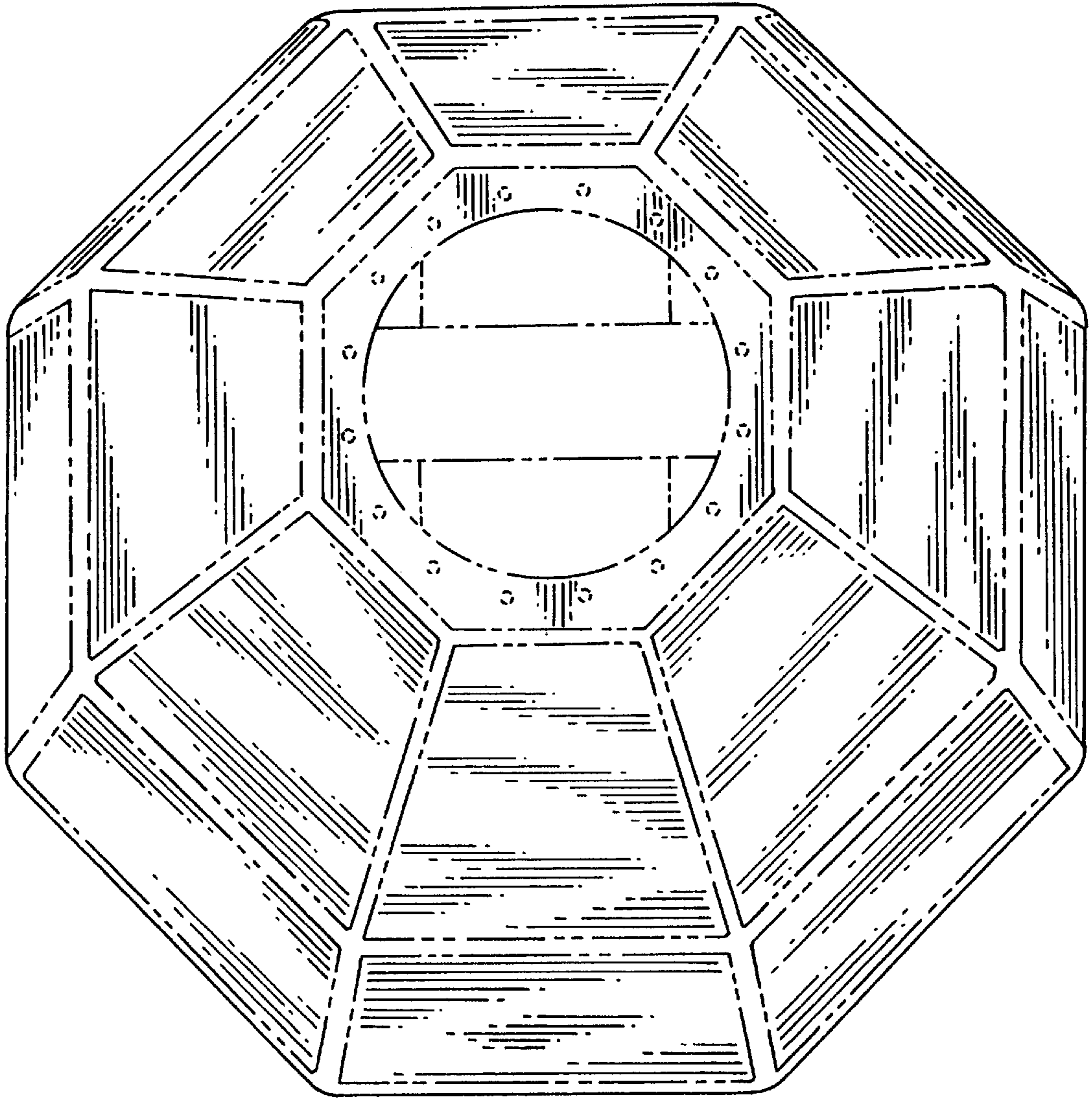


Fig. 6

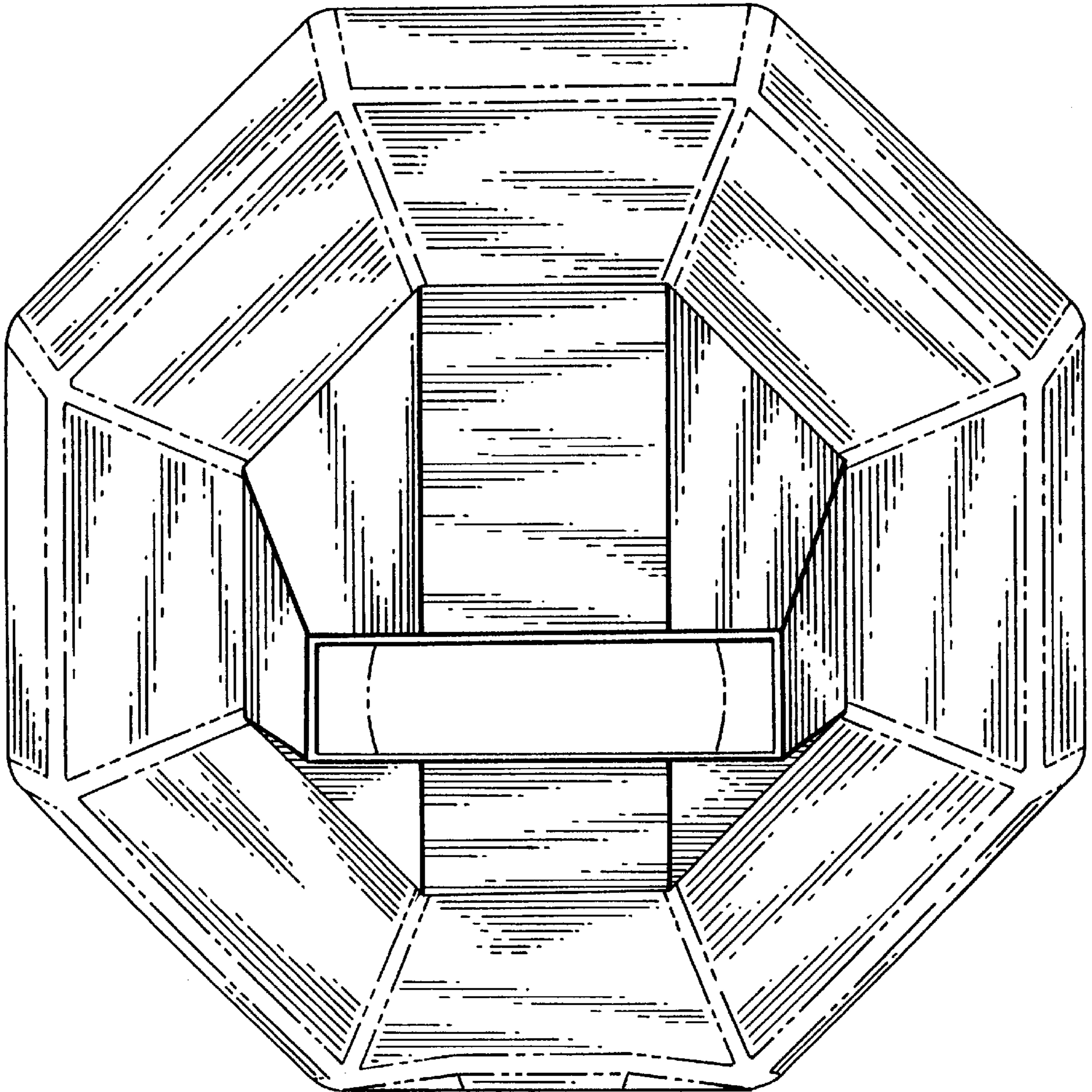


Fig. 7

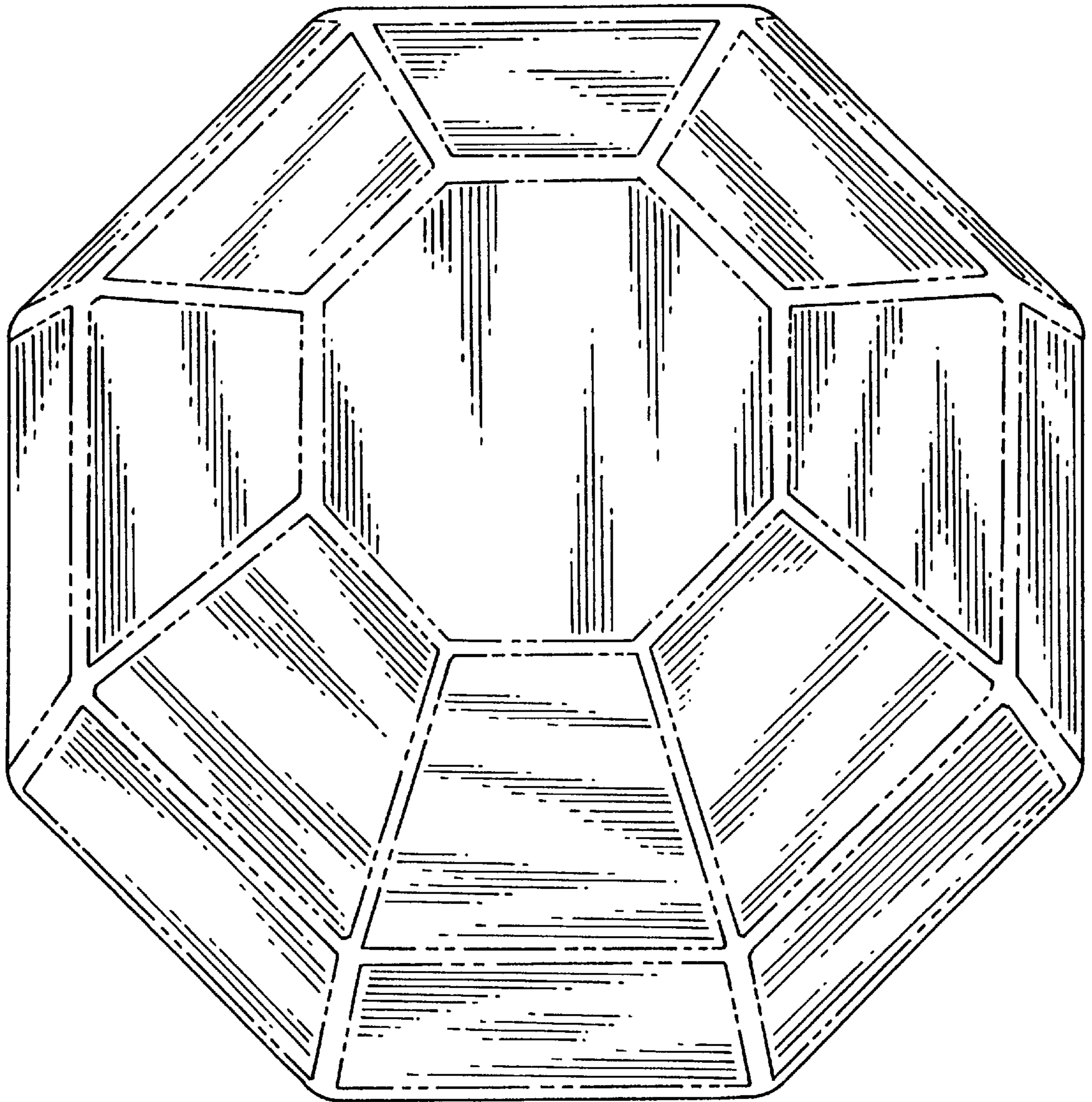


Fig. 8