



US00D427201S

United States Patent [19]
Lin

[11] **Patent Number: Des. 427,201**

[45] **Date of Patent: ** Jun. 27, 2000**

[54] **KEYBOARD RACK**

[76] Inventor: **Chin-Chih Lin**, 3F, No. 128,
Cha-Zhuang 1st Street, Kuei Shan,
Taoyuan Hsien, Taiwan

[**] Term: **14 Years**

[21] Appl. No.: **29/113,576**

[22] Filed: **Nov. 9, 1999**

[51] **LOC (7) Cl.** **14-02**

[52] **U.S. Cl.** **D14/457**

[58] **Field of Search** D14/455, 457;
108/140; 400/472; 248/118.3, 118.1, 917-24;
211/153; D19/86, 92, 95

[56] **References Cited**

U.S. PATENT DOCUMENTS

- D. 288,097 2/1987 Harter et al. D14/457
- D. 330,892 11/1992 Hassel et al. D14/457
- D. 402,644 12/1998 Oxford et al. D14/457

- D. 408,388 4/1999 Wiggins D14/457
- D. 410,453 6/1999 Timm D14/457
- 4,776,284 10/1988 McIntosh D14/457 X
- 5,191,199 3/1993 Elko .
- 5,595,428 1/1997 Huang D14/457 X

Primary Examiner—M. H. Tung
Attorney, Agent, or Firm—Dougherty & Troxell

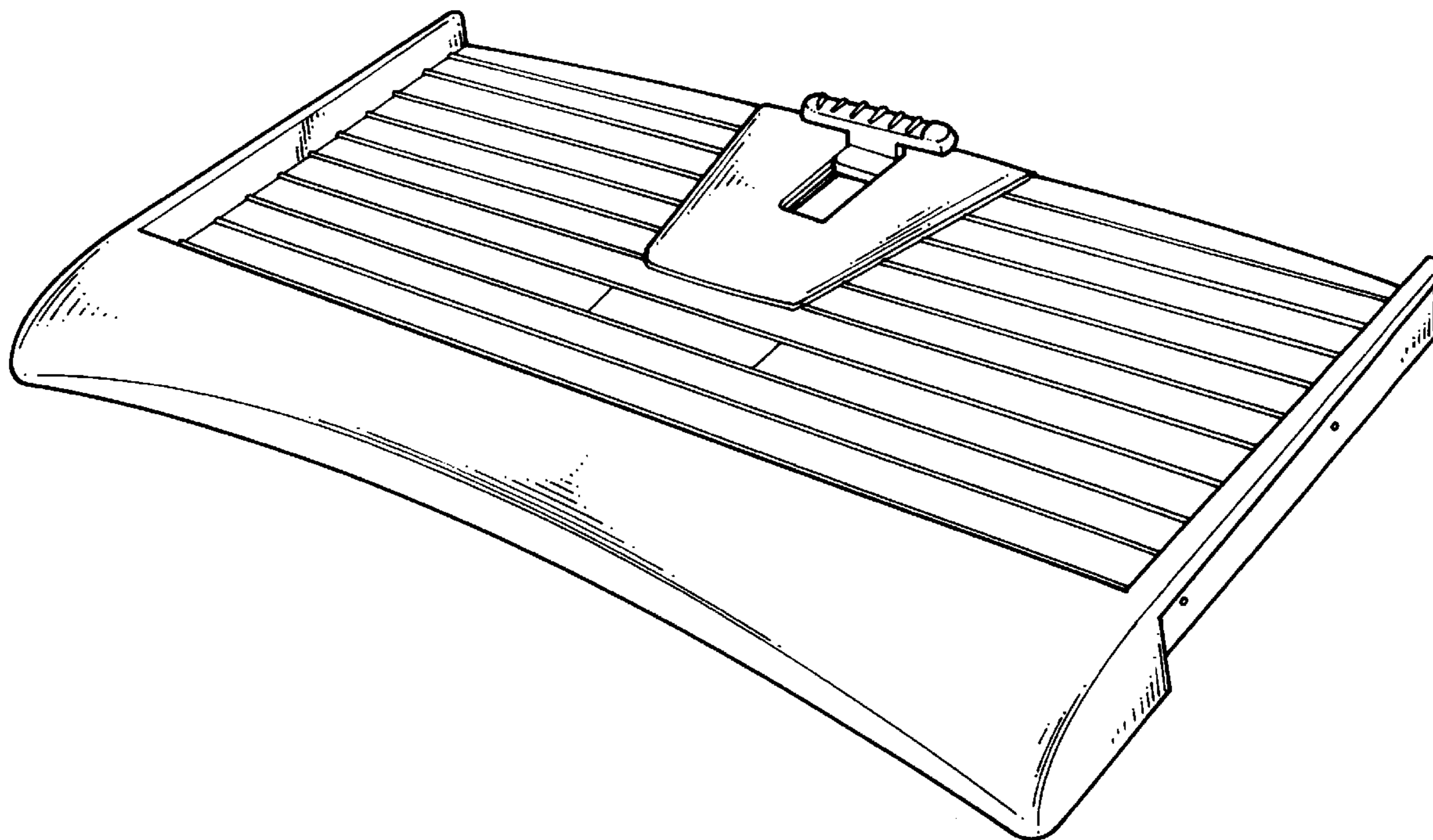
[57] **CLAIM**

The ornamental design for a keyboard rack, as shown and described.

DESCRIPTION

FIG. 1 is a top elevational view of keyboard rack showing my design;
FIG. 2 is a front elevational view thereof;
FIG. 3 is a right side view thereof;
FIG. 4 is a left side view thereof;
FIG. 5 is a bottom elevational view thereof;
FIG. 6 is a rear elevational view thereof; and,
FIG. 7 is a perspective view thereof.

1 Claim, 4 Drawing Sheets



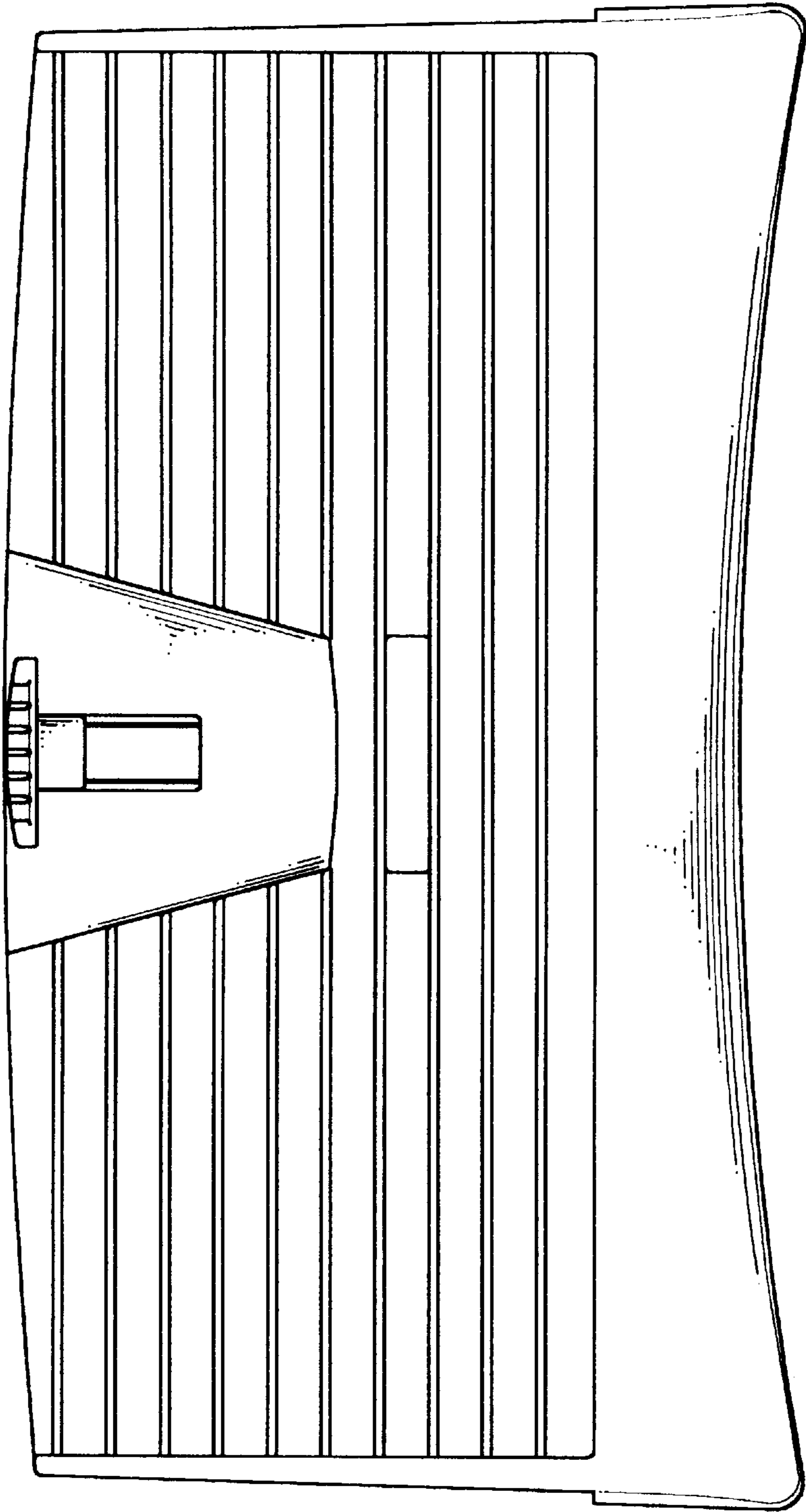


FIG. 1

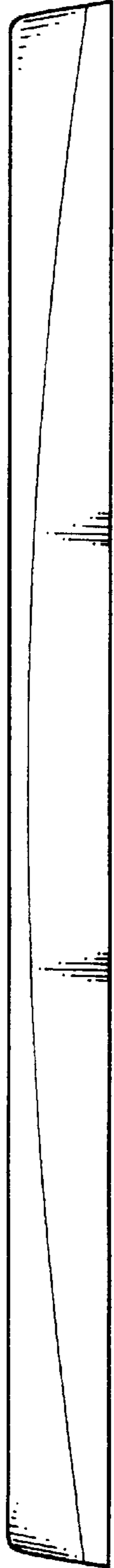


FIG. 2

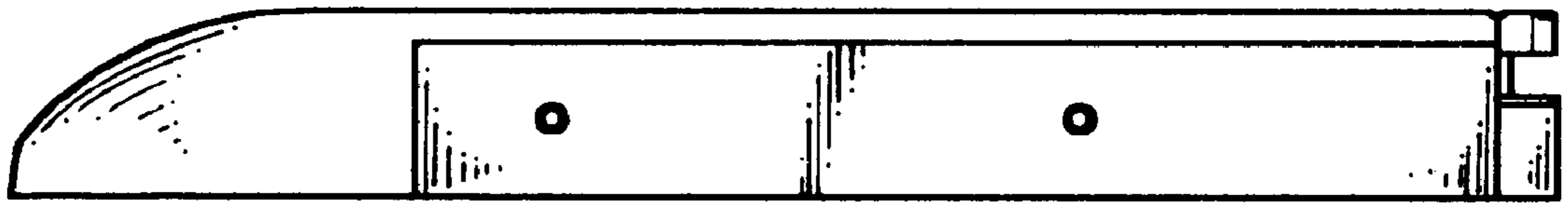


FIG. 3

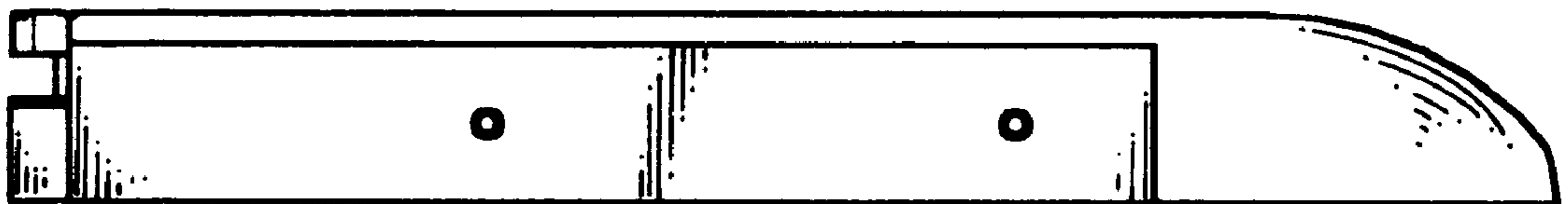


FIG. 4

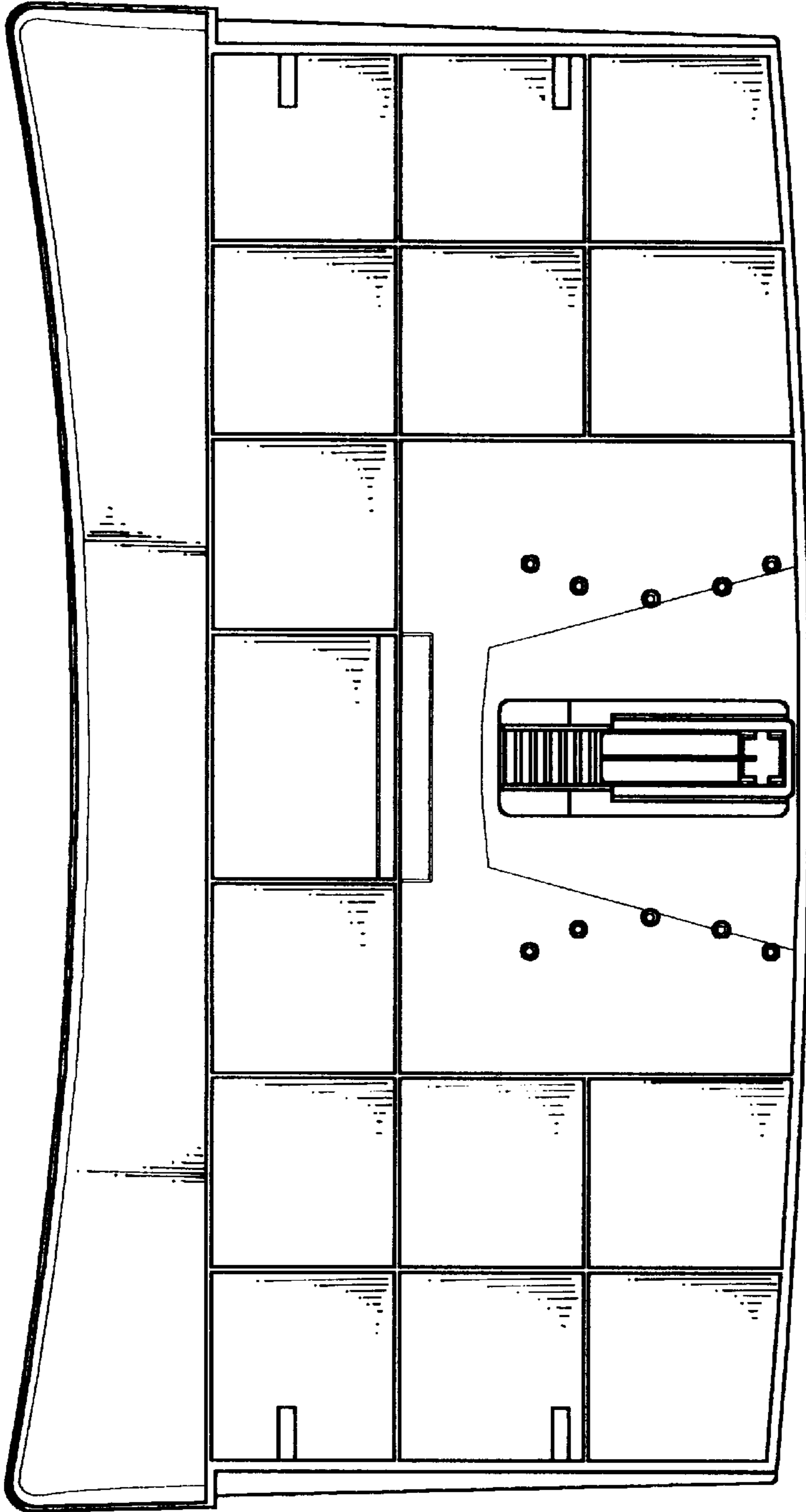


FIG. 5

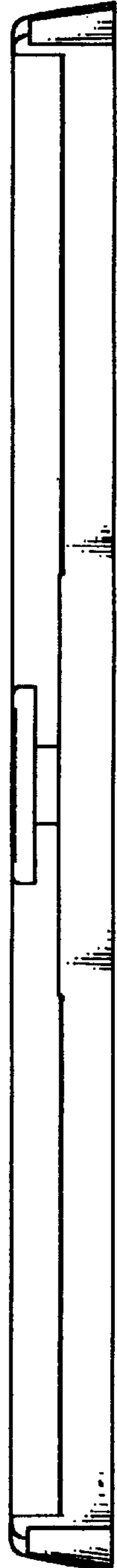


FIG. 6

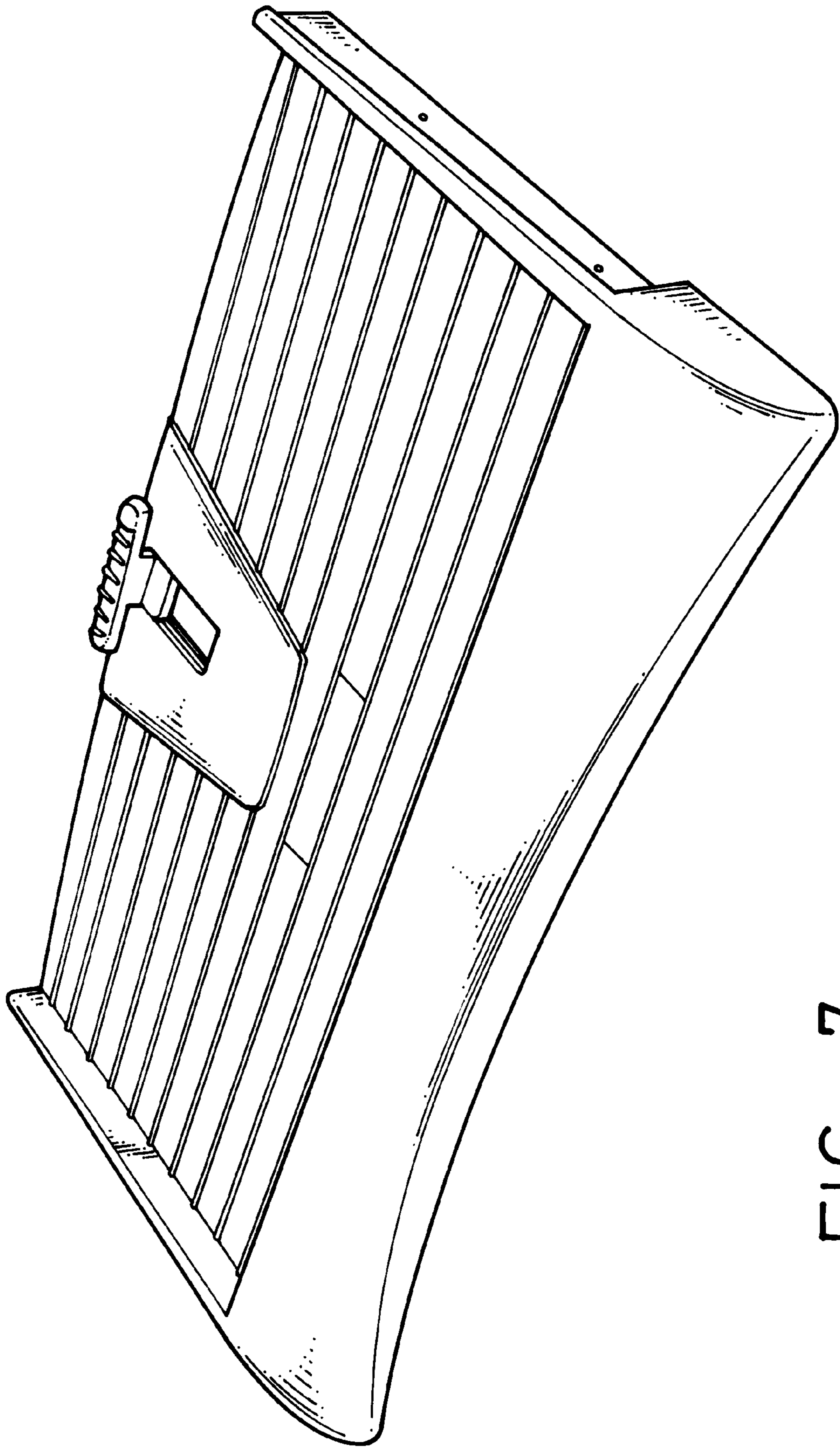


FIG. 7