



US00D427197S

# United States Patent [19]

Jean et al.

[11] **Patent Number: Des. 427,197**

[45] **Date of Patent: \*\* Jun. 27, 2000**

[54] **COMPUTER FRONT BEZEL**

[75] Inventors: **Paul Jean; Kaven Kan**, both of  
Tau-Yuan; **Ying Sheng Yeh**, Taipei, all  
of Taiwan

[73] Assignee: **Hon Hai Precision Ind. Co., Ltd.**,  
Taipei Hsien, Taiwan

[\*\*] Term: **14 Years**

[21] Appl. No.: **29/113,165**

[22] Filed: **Oct. 29, 1999**

[30] **Foreign Application Priority Data**

Jun. 15, 1999 [TW] Taiwan ..... 88303882

[51] **LOC (7) Cl.** ..... **14-02**

[52] **U.S. Cl.** ..... **D14/441**

[58] **Field of Search** ..... D14/441, 442,  
D14/443, 446; D13/162, 164, 177, 184,  
199; 312/223.2

[56] **References Cited**

**U.S. PATENT DOCUMENTS**

D. 389,475 1/1998 Autry et al. .... D14/441

D. 413,321 8/1999 Su ..... D14/441  
D. 413,878 9/1999 Jean et al. .... D14/441  
D. 415,141 10/1999 Jean et al. .... D14/441

*Primary Examiner*—Freda Nunn  
*Attorney, Agent, or Firm*—Wei Te Chung

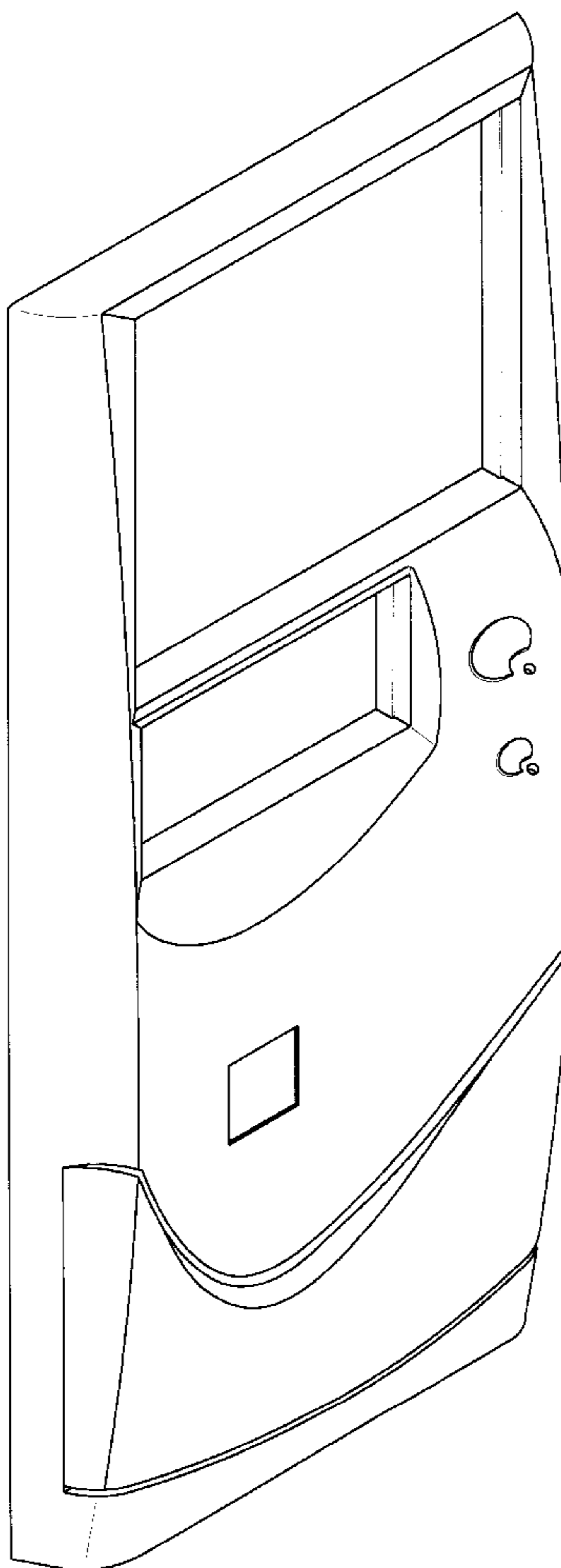
[57] **CLAIM**

The ornamental design for a computer front bezel, as shown and described.

**DESCRIPTION**

FIG. 1 is a perspective view of a computer front bezel showing our new design;  
FIG. 2 is a front elevational view thereof;  
FIG. 3 is a rear elevational view thereof;  
FIG. 4 is a left side elevational view thereof;  
FIG. 5 is a right side elevational view thereof;  
FIG. 6 is a top plan view thereof;  
FIG. 7 is a bottom plan view thereof; and,  
FIG. 8 is a perspective view thereof wherein a computer is shown attached and in broken lines for illustrative purposes only and forms no part of the claimed design.

**1 Claim, 6 Drawing Sheets**



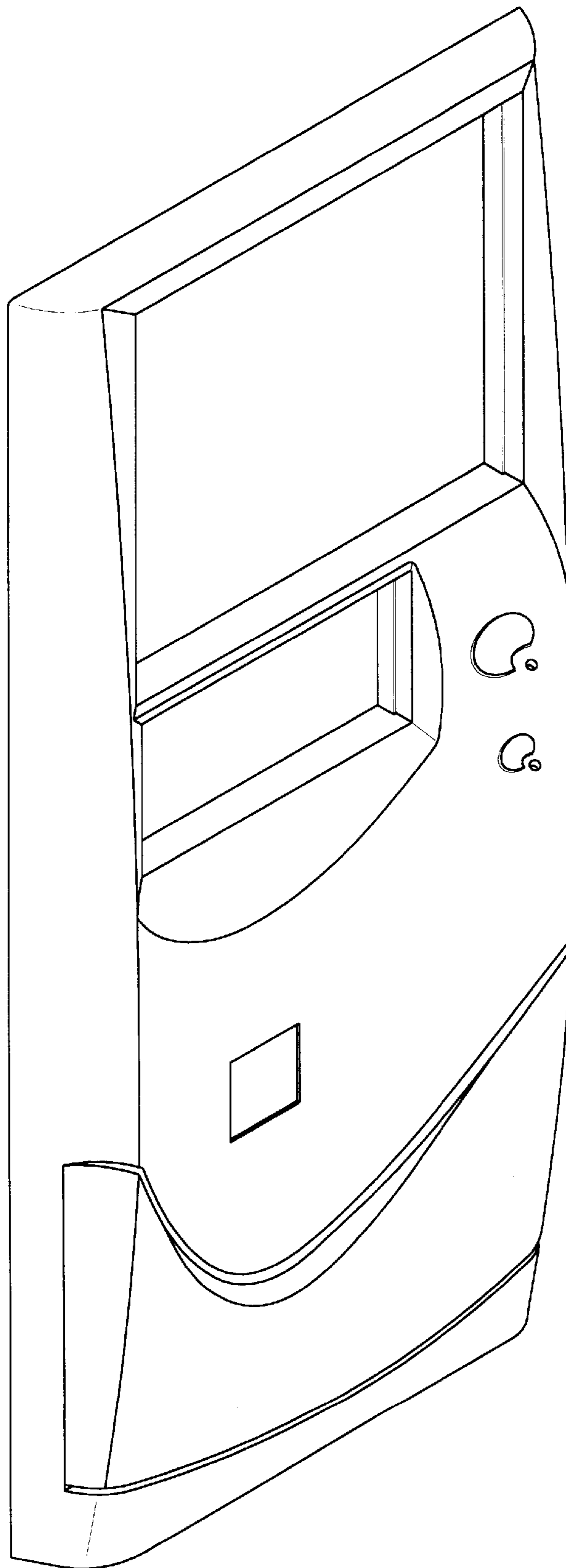


FIG.1

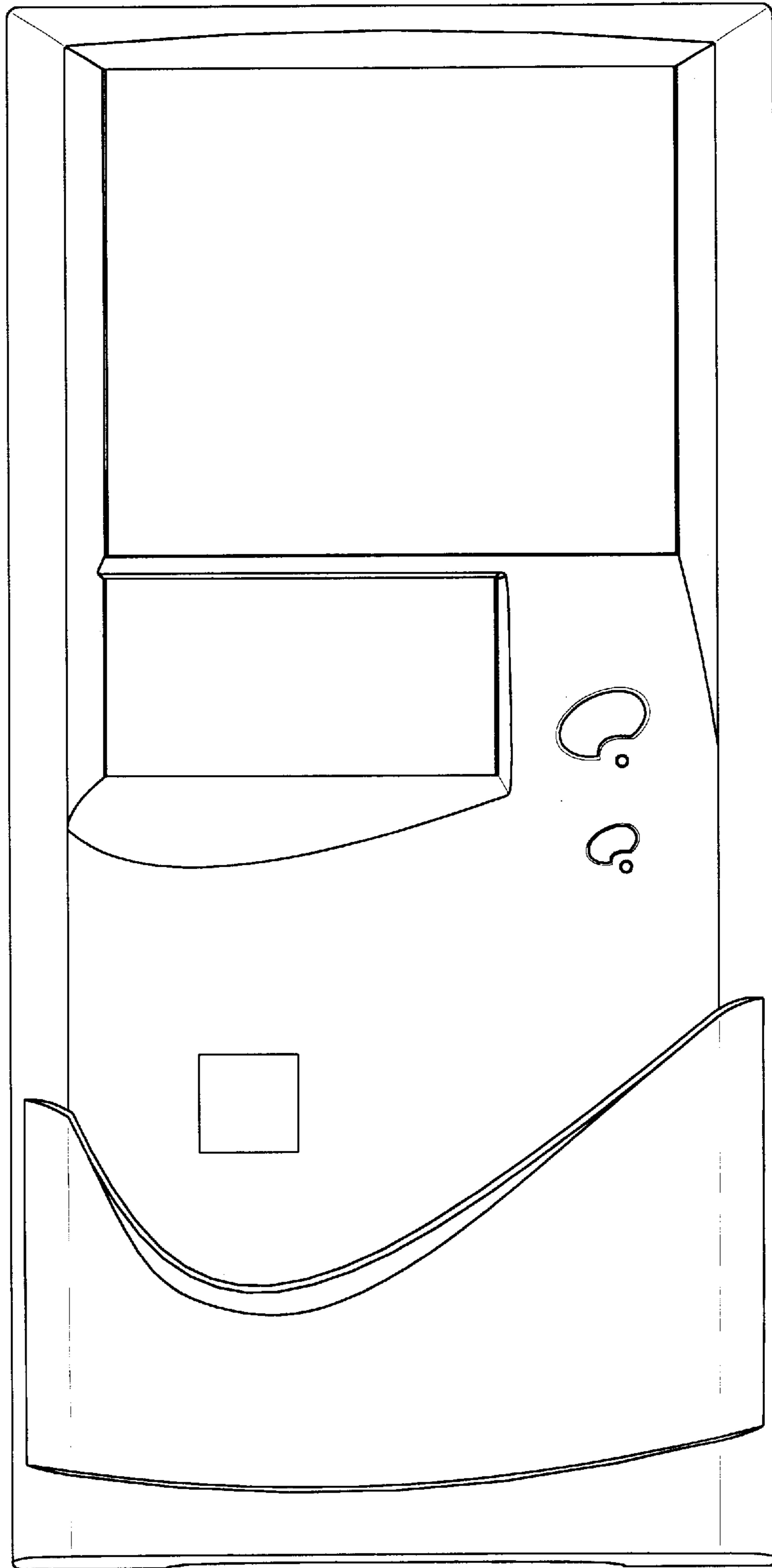


FIG.2

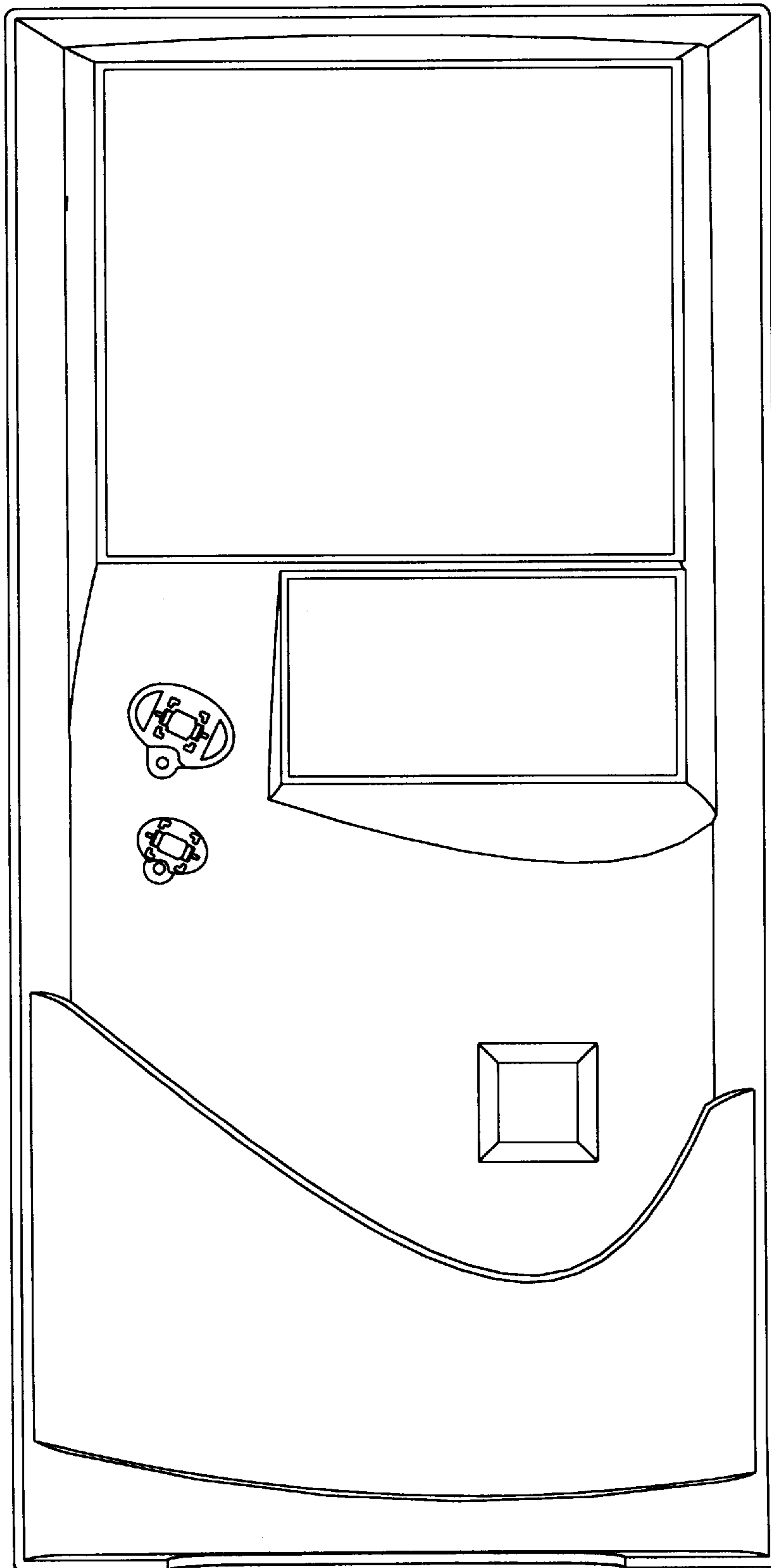


FIG.3

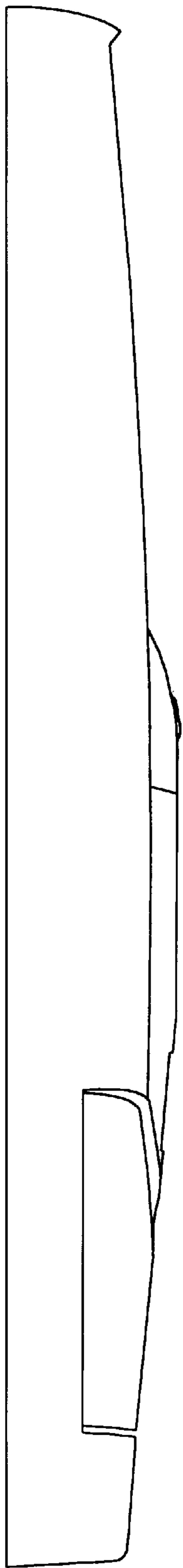


FIG. 4

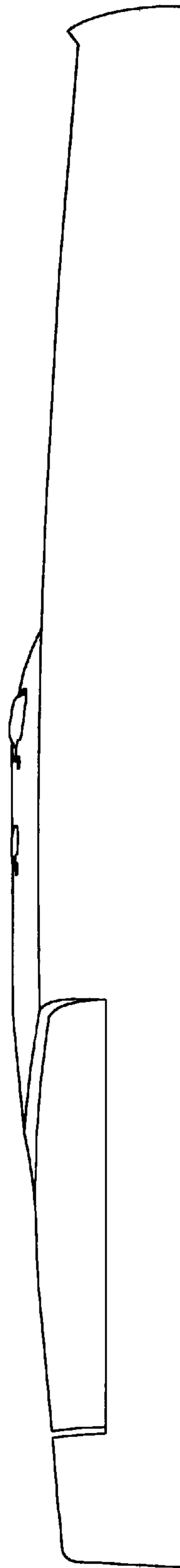


FIG. 5

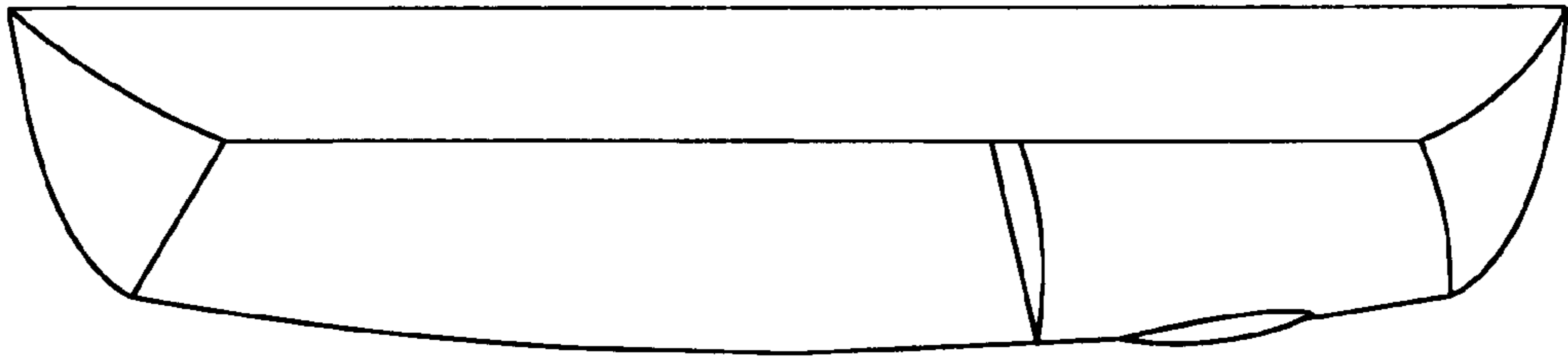


FIG. 6

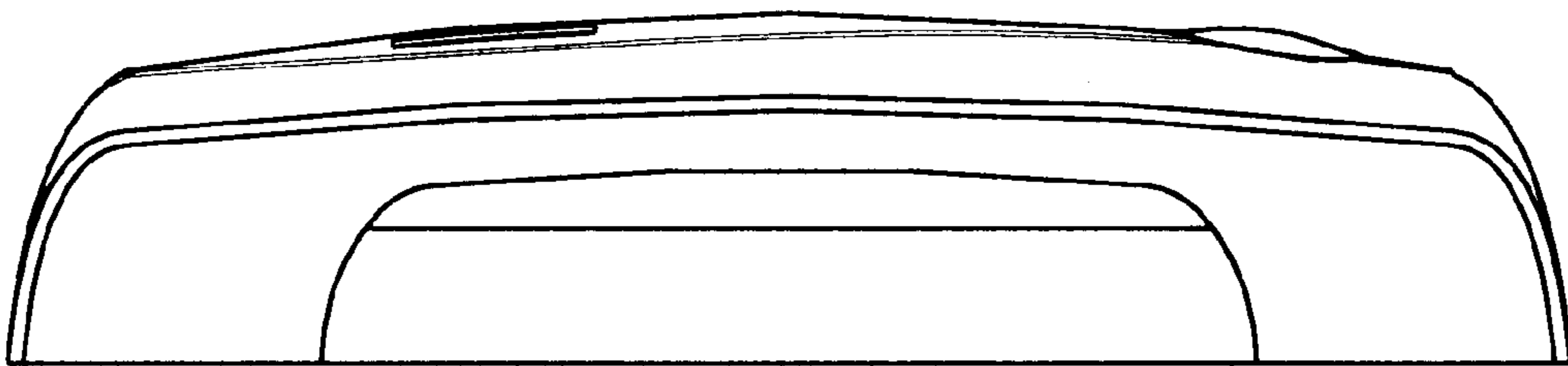


FIG. 7

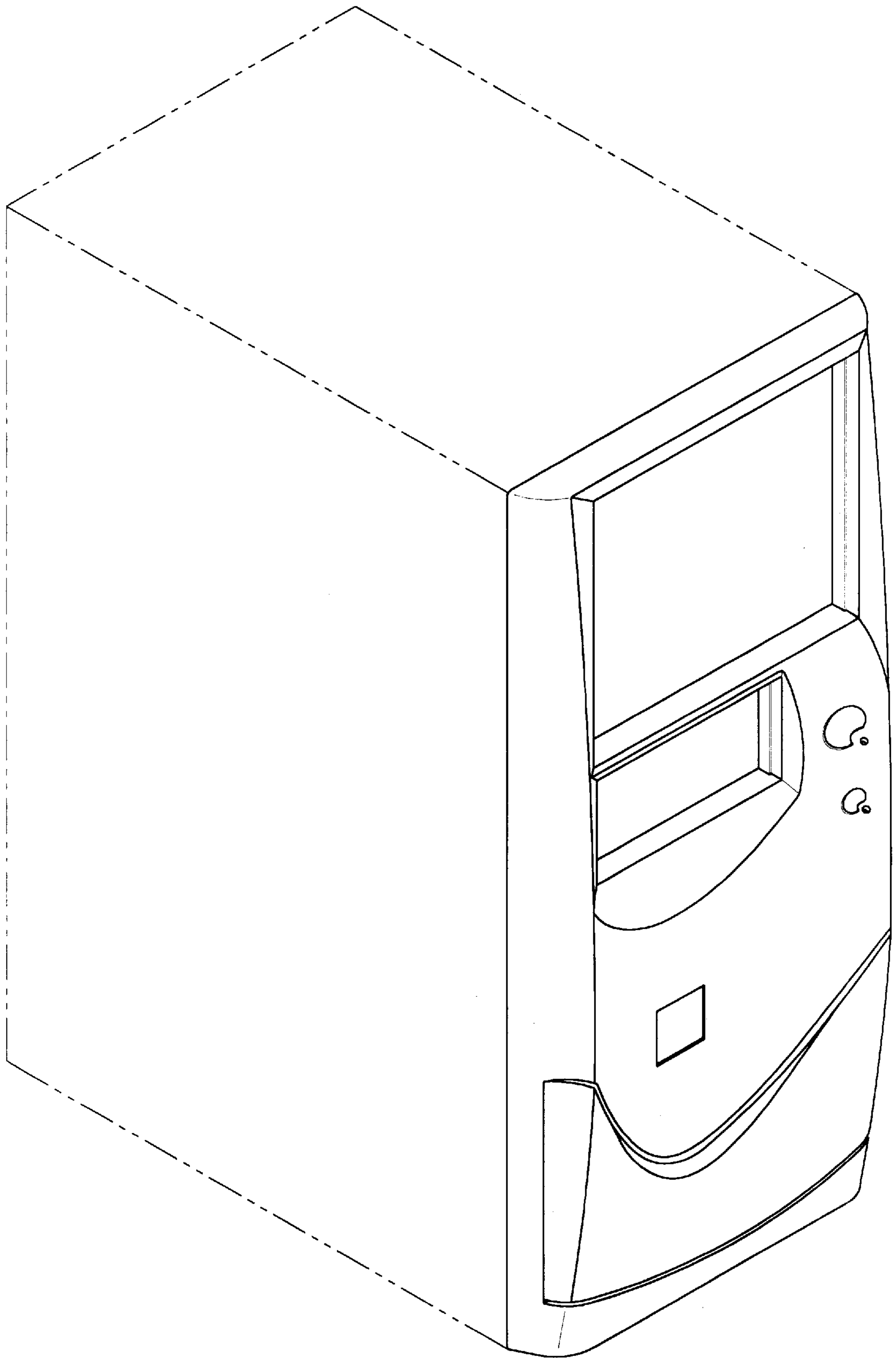


FIG.8