



US00D427190S

United States Patent [19]

Bertrand

[11] **Patent Number: Des. 427,190**

[45] **Date of Patent: ** Jun. 27, 2000**

[54] **HOUSING PANEL FOR ELECTRONIC EQUIPMENT**

[75] Inventor: **Hervé Bertrand**, London, United Kingdom

[73] Assignee: **NDS Limited**, West Drayton, United Kingdom

[**] Term: **14 Years**

[21] Appl. No.: **29/101,755**

[22] Filed: **Mar. 11, 1999**

[30] **Foreign Application Priority Data**

Sep. 11, 1998	[GB]	United Kingdom	2077506
Sep. 11, 1998	[GB]	United Kingdom	2077507

[51] **LOC (7) Cl.** **14-99**

[52] **U.S. Cl.** **D14/257; D14/299**

[58] **Field of Search** D14/115, 124, D14/135-136, 155-162, 164, 167-168, 188, 191, 197-198, 217, 239, 257-258, 265, 299; D12/192; 455/345-347, 350-351

[56] **References Cited**

U.S. PATENT DOCUMENTS

D. 318,279 7/1991 Laiacona et al. D14/217

D. 354,493	1/1995	Schumaker et al.	D14/258
D. 373,589	9/1996	Peterson et al.	D14/257
D. 385,878	11/1997	Flick	D14/191 X
D. 395,313	6/1998	Alves et al.	D14/258
D. 398,932	9/1998	Tokiyama et al.	D14/257
D. 399,205	10/1998	Wolf et al.	D14/191

Primary Examiner—Nanda Bondade
Attorney, Agent, or Firm—Cohen, Fontani, Lieberman & Pavane

[57] **CLAIM**

The ornamental design for a housing panel for electronic equipment, as shown and described.

DESCRIPTION

FIG. 1 is a top, front, right side perspective view of a housing panel for electronic equipment showing my new design;

FIG. 2 is a top view thereof;

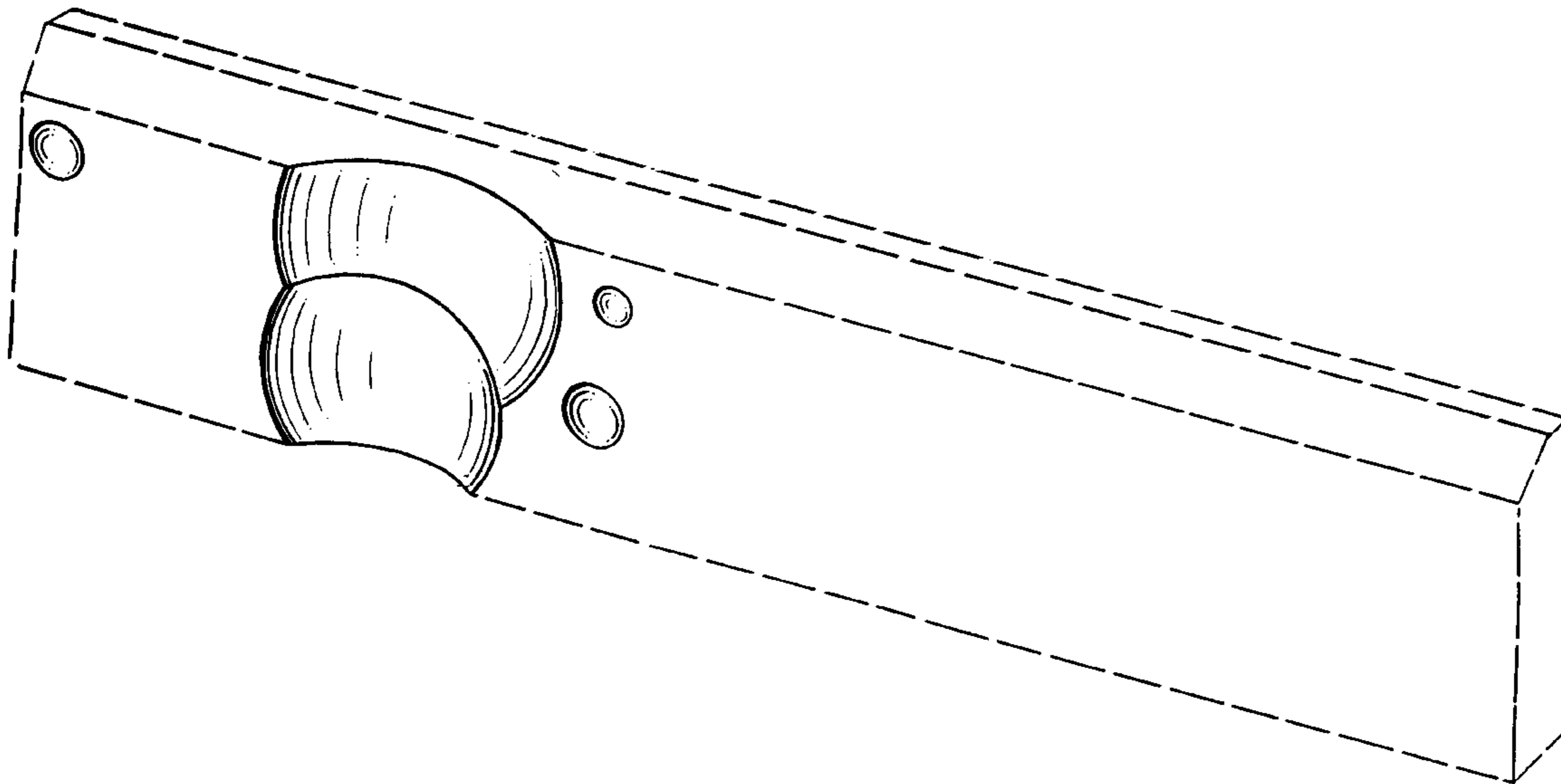
FIG. 3 is a front view thereof; and,

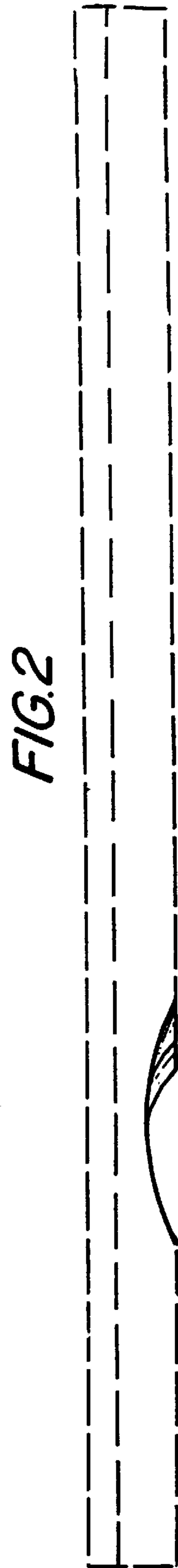
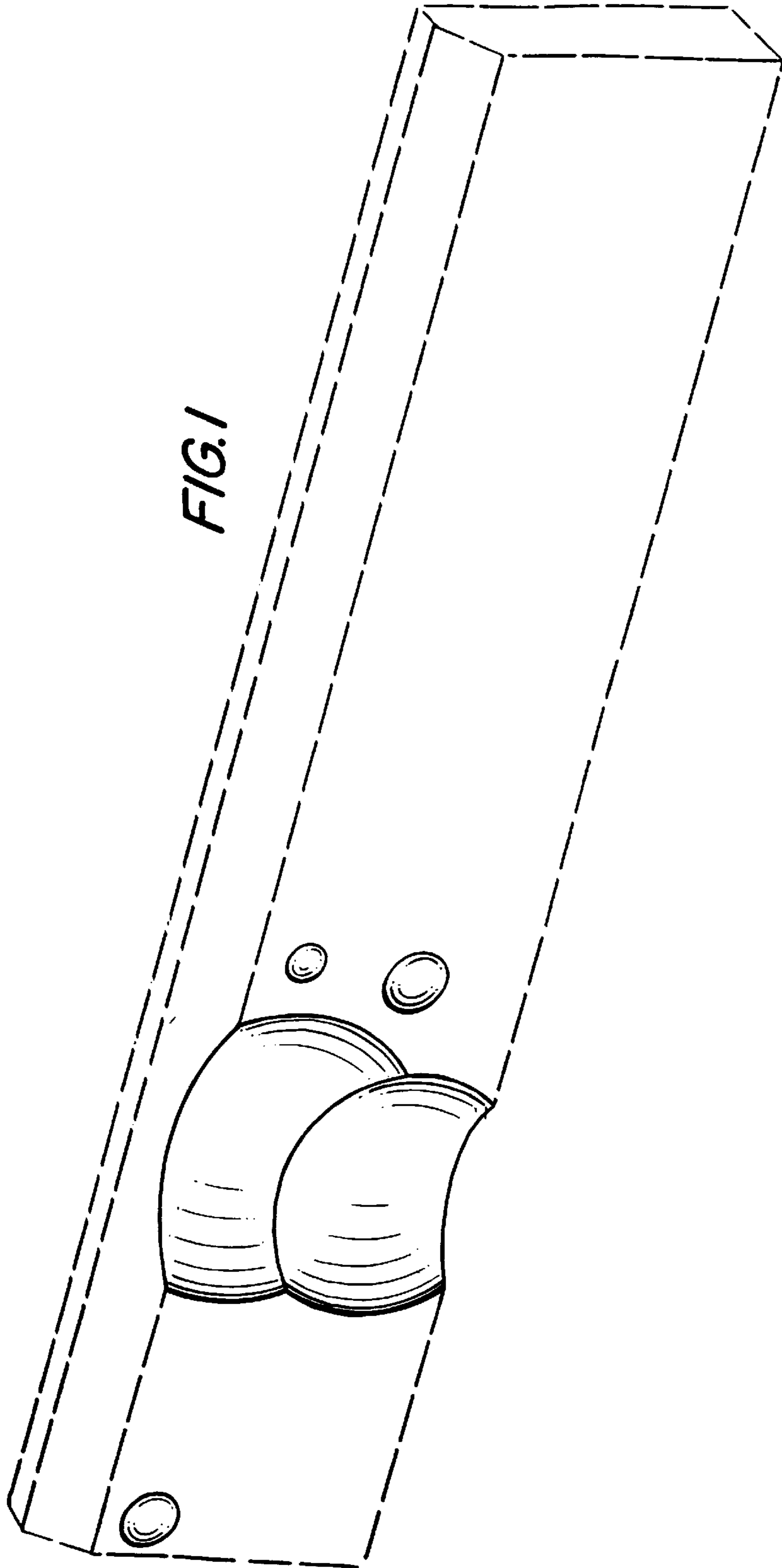
FIG. 4 is a bottom view thereof.

The right side, left side, and back of the housing panel for electronic equipment of my design are unornamented.

The broken line showing on FIGS. 1-4 is for illustrative purposes only and forms no part of the claimed design.

1 Claim, 2 Drawing Sheets





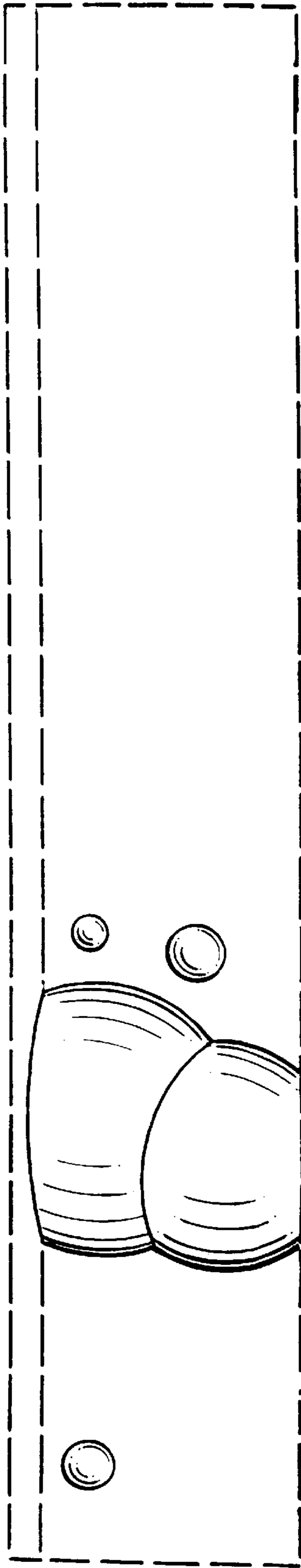


FIG. 3

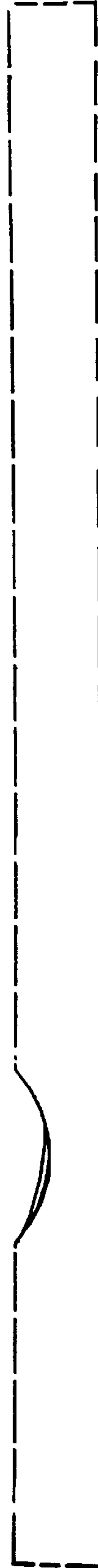


FIG. 4