



US00D427187S

United States Patent [19] Lin

[11] Patent Number: **Des. 427,187**

[45] Date of Patent: **** Jun. 27, 2000**

[54] **TELEPHONE HOLDER**

[76] Inventor: **Chin-Chih Lin**, 3F, No. 128,
Cha-Zhuang 1st Street, Kuei Shan,
Taoyuan Hsien, Taiwan

[**] Term: **14 Years**

[21] Appl. No.: **29/111,621**

[22] Filed: **Oct. 1, 1999**

[51] **LOC (7) Cl.** **14-03**

[52] **U.S. Cl.** **D14/252; D19/87**

[58] **Field of Search** D14/137, 114,
D14/138, 148, 147, 149-151, 140-142,
240, 241, 251, 253; 379/433-436, 419,
420, 428, 440, 454, 455, 446, 447; D13/107,
108; 320/110, 113, 114, 115; D19/87, 89,
76

[56] **References Cited**

U.S. PATENT DOCUMENTS

D. 154,294	6/1949	Marlow	D19/89	X
D. 167,523	8/1952	Mayo	D19/76	X
D. 193,431	8/1962	Newton	D14/252	
D. 232,363	8/1974	Se-Kit	D14/252	
D. 246,847	1/1978	Landau et al.	D19/87	

D. 306,028	2/1990	Hankins	D14/251	
D. 317,157	5/1991	Jondelius	D14/253	
D. 320,980	10/1991	Howard et al.	D14/114	
D. 321,351	11/1991	Kirchner	D14/251	
D. 361,334	8/1995	Chan	D14/251	
D. 374,038	9/1996	Gillespie	D19/87	
D. 377,798	2/1997	Heine	D14/253	
D. 390,849	2/1998	Richter et al.	D14/253	
3,589,050	6/1971	Niehuss	40/336	
5,179,590	1/1993	Wang	379/454	

Primary Examiner—Jeffrey Asch
Attorney, Agent, or Firm—Dougherty & Troxell

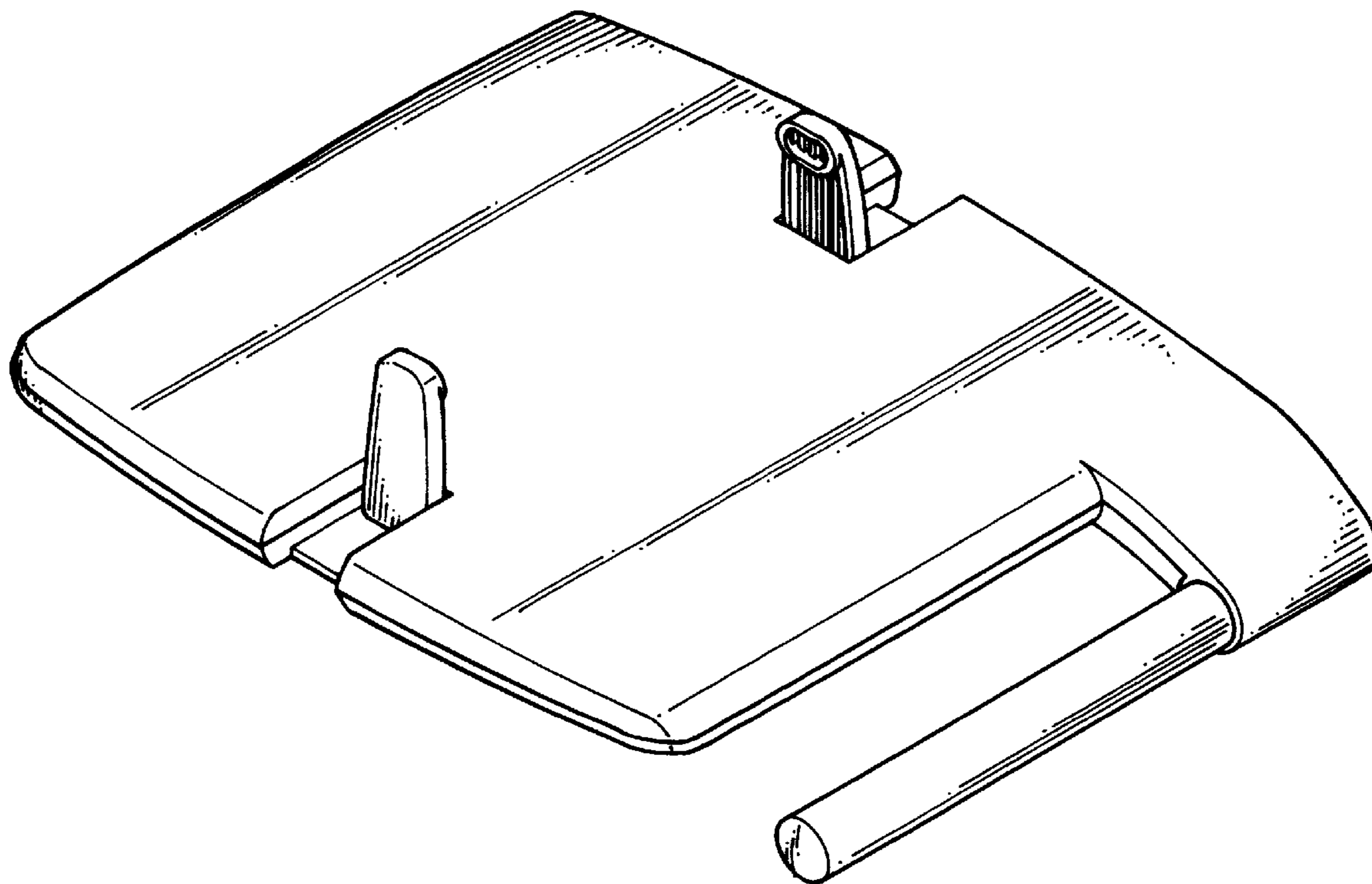
[57] **CLAIM**

The ornamental design for a telephone holder, as shown and described.

DESCRIPTION

FIG. 1 is a front elevational view of telephone holder showing my design;
FIG. 2 is a left side view thereof;
FIG. 3 is a rear elevational view thereof;
FIG. 4 is a right side view thereof;
FIG. 5 is a bottom elevational view thereof;
FIG. 6 is a top elevational view thereof; and,
FIG. 7 is a perspective view thereof.

1 Claim, 4 Drawing Sheets



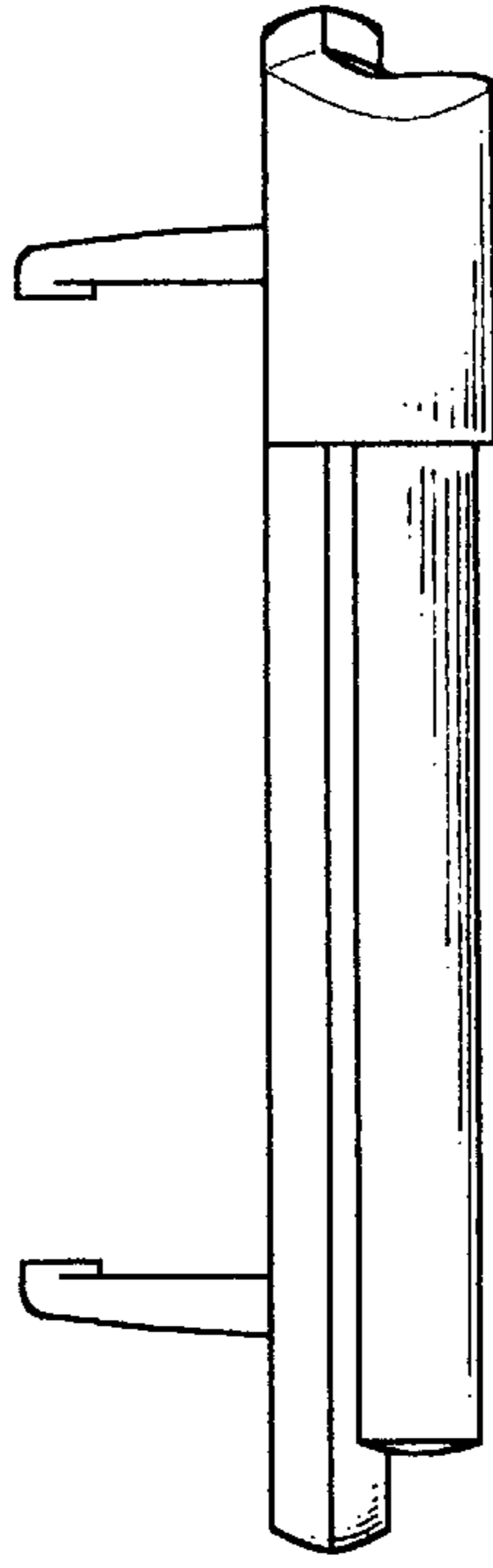


FIG. 1

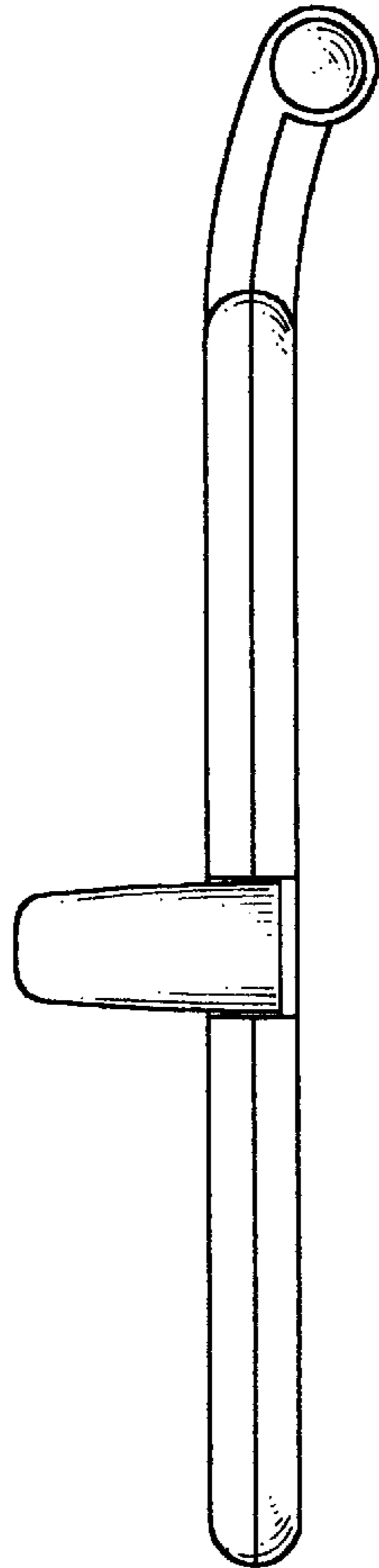


FIG. 2

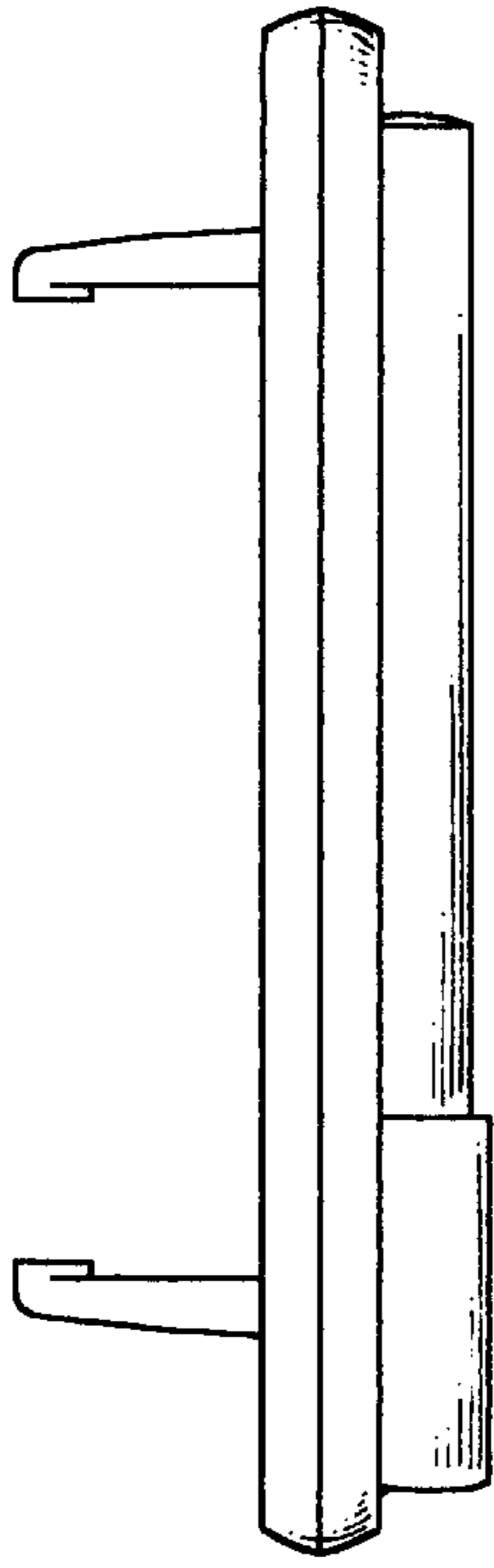


FIG. 3

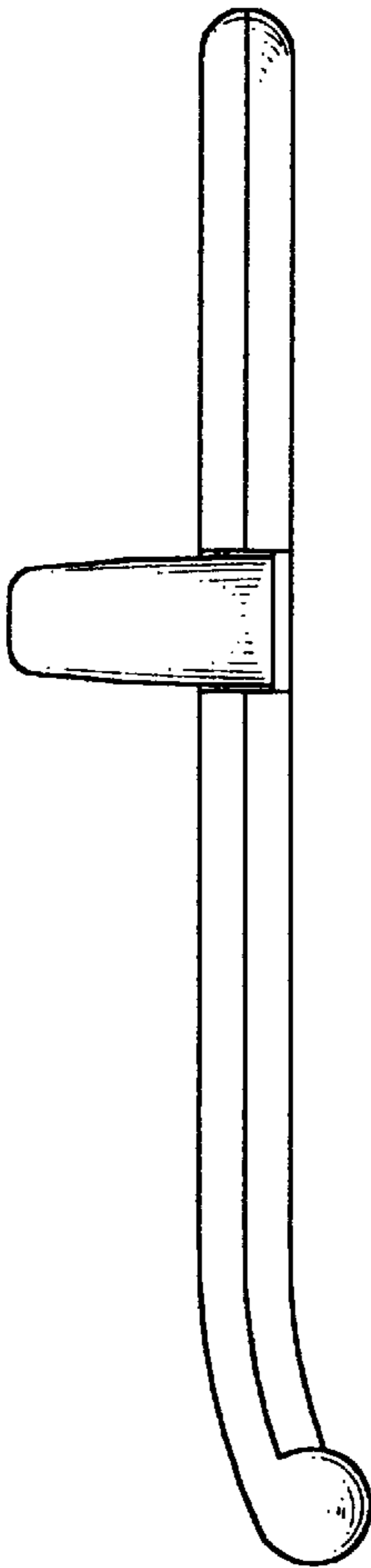


FIG. 4

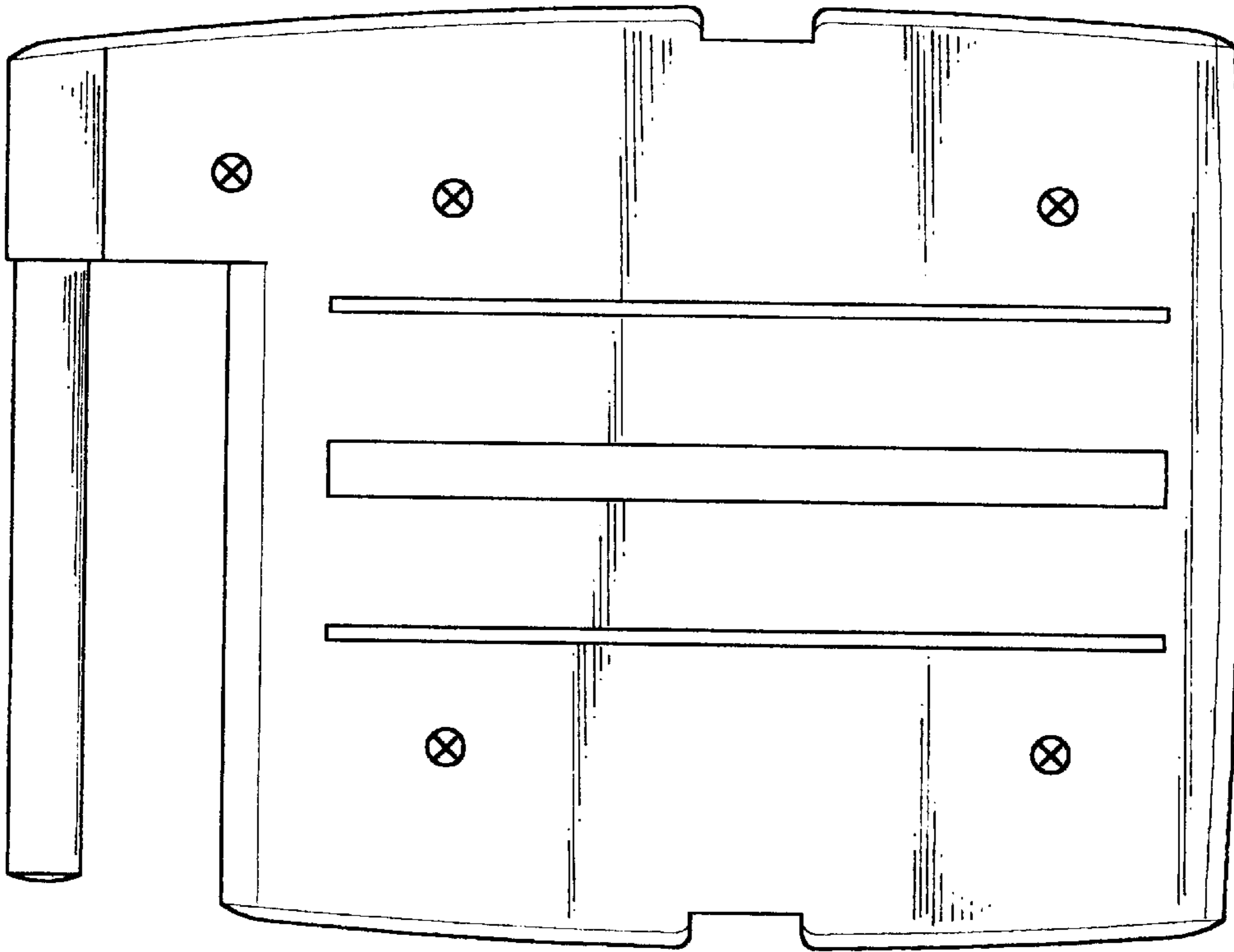


FIG. 5

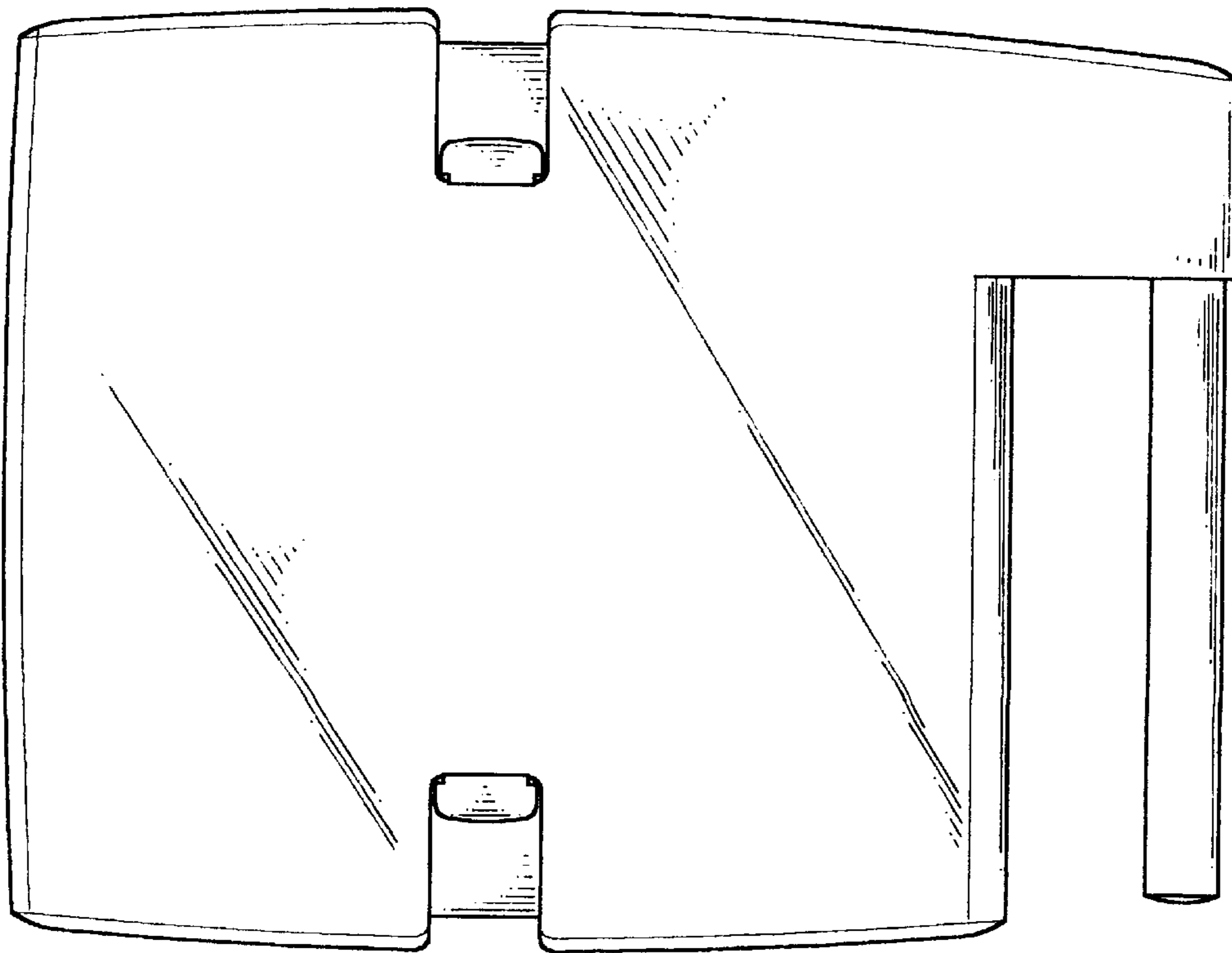


FIG. 6

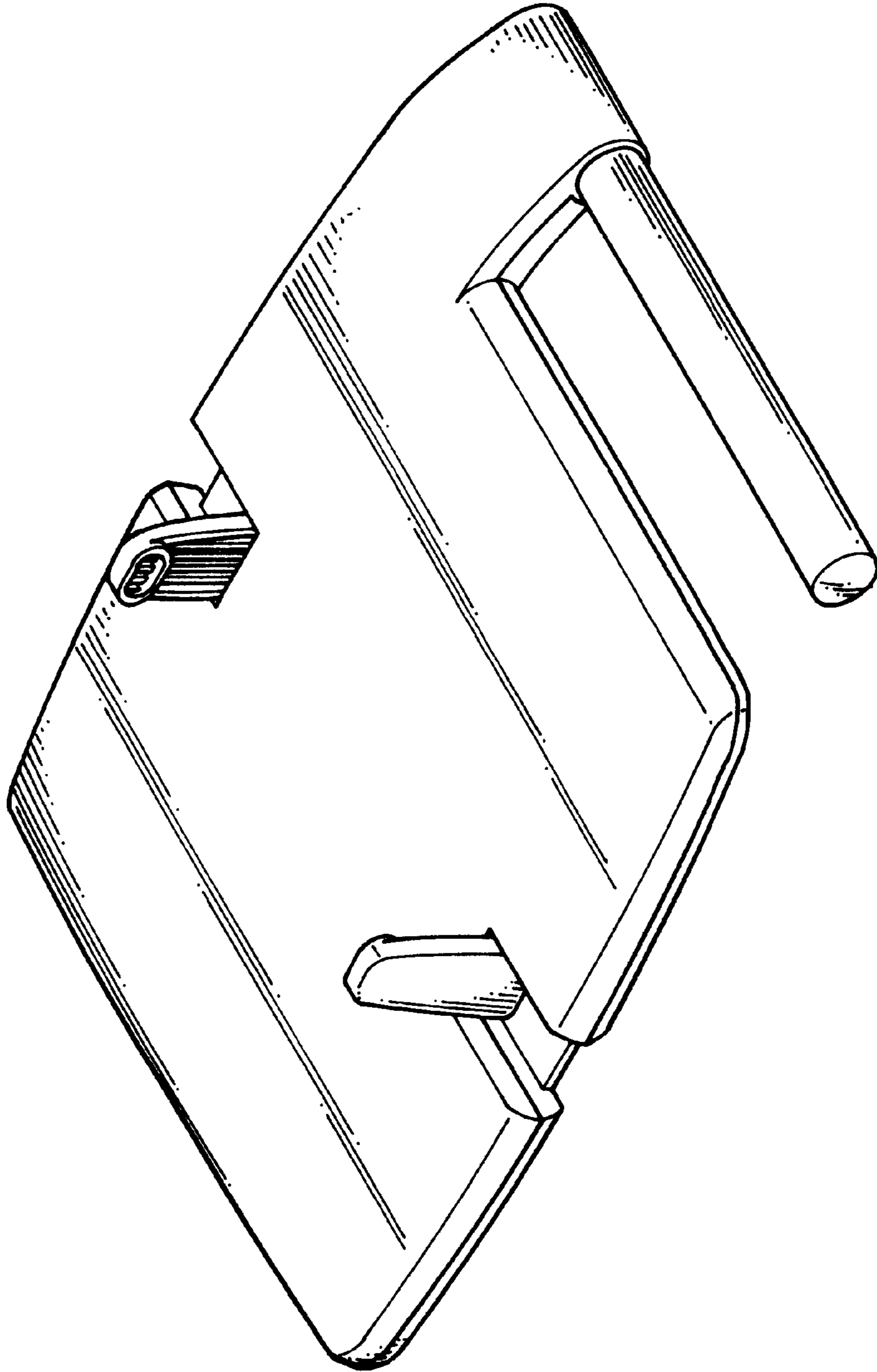


FIG. 7