



US00D427185S

# United States Patent [19]

[11] Patent Number: **Des. 427,185**

Heiligenstein et al.

[45] Date of Patent: **\*\* Jun. 27, 2000**

[54] **CLAMP FOR TV ANTENNA**

[75] Inventors: **Luc Heiligenstein; Stephen Melamed**, both of Chicago; **Michael Pelland**, Medinah; **Sabrina L. Tongish**, Chicago, all of Ill.

[73] Assignee: **Terk Technologies Corp.**, Commack, N.Y.

[\*\*] Term: **14 Years**

[21] Appl. No.: **29/098,235**

[22] Filed: **Dec. 23, 1998**

[51] **LOC (7) Cl.** ..... **14-03**

[52] **U.S. Cl.** ..... **D14/238; D14/230; D8/394; D8/356; 343/878**

[58] **Field of Search** ..... **D14/230-238; D8/399, 356, 394; 343/878, 840, 725, 892; 248/68.1, 74.1, 229.15, 229.25, 515; D22/147**

[56] **References Cited**

**U.S. PATENT DOCUMENTS**

D. 57,021	1/1921	Stair	.....	D8/394
D. 136,856	12/1943	Olowecki	.....	D22/147
D. 175,291	8/1955	Ammon	.....	D22/147
D. 274,601	7/1984	Helmle	.....	D8/356

D. 389,334	1/1998	Attridge	.....	D8/394
746,188	12/1903	Sonsthagen	.....	248/229.15
1,597,563	8/1926	Arndt	.....	248/229.15
2,961,209	11/1960	Willey	.....	248/515
3,943,524	3/1976	Sample	.....	248/229.15
5,923,657	10/1998	Price et al.	.....	248/229.15

*Primary Examiner*—Louis S. Zarfaz  
*Assistant Examiner*—G. Andoll  
*Attorney, Agent, or Firm*—Hoffmann & Baron, LLP

[57] **CLAIM**

The ornamental design for a clamp for TV antenna, as shown and described.

**DESCRIPTION**

FIG. 1 is a perspective view of a clamp for TV antenna showing our new design thereof;  
FIG. 2 is a side perspective view of the clamp;  
FIG. 3 is a top view thereof;  
FIG. 4 is a side view thereof, it being understood that the opposite side is identical to that shown;  
FIG. 5 is a front view thereof;  
FIG. 6 is a back view thereof; and,  
FIG. 7 is a bottom view thereof.

The broken lines in FIG. 1 is for illustrative purposes only and forms no part of the claimed design.

**1 Claim, 3 Drawing Sheets**

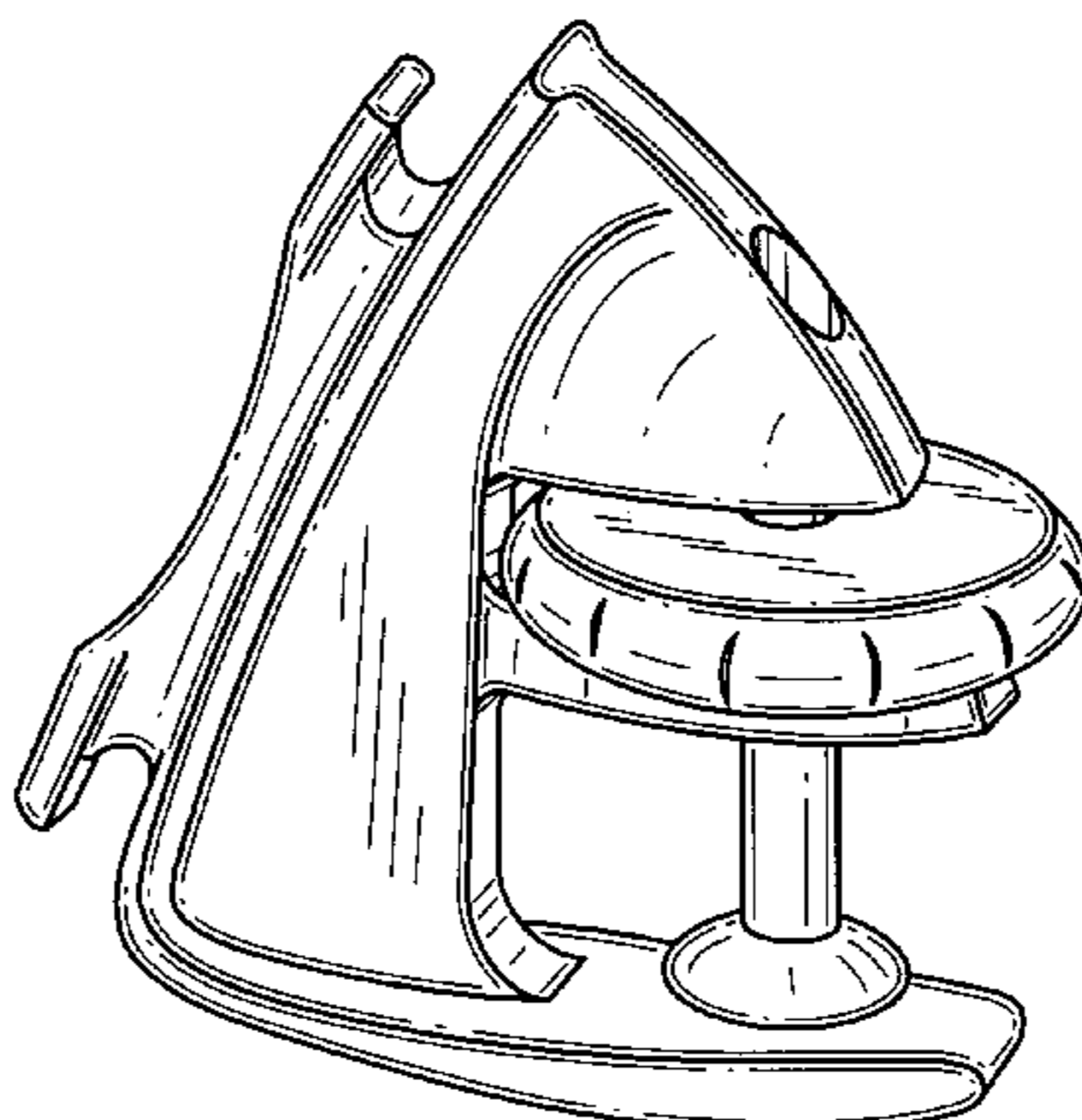
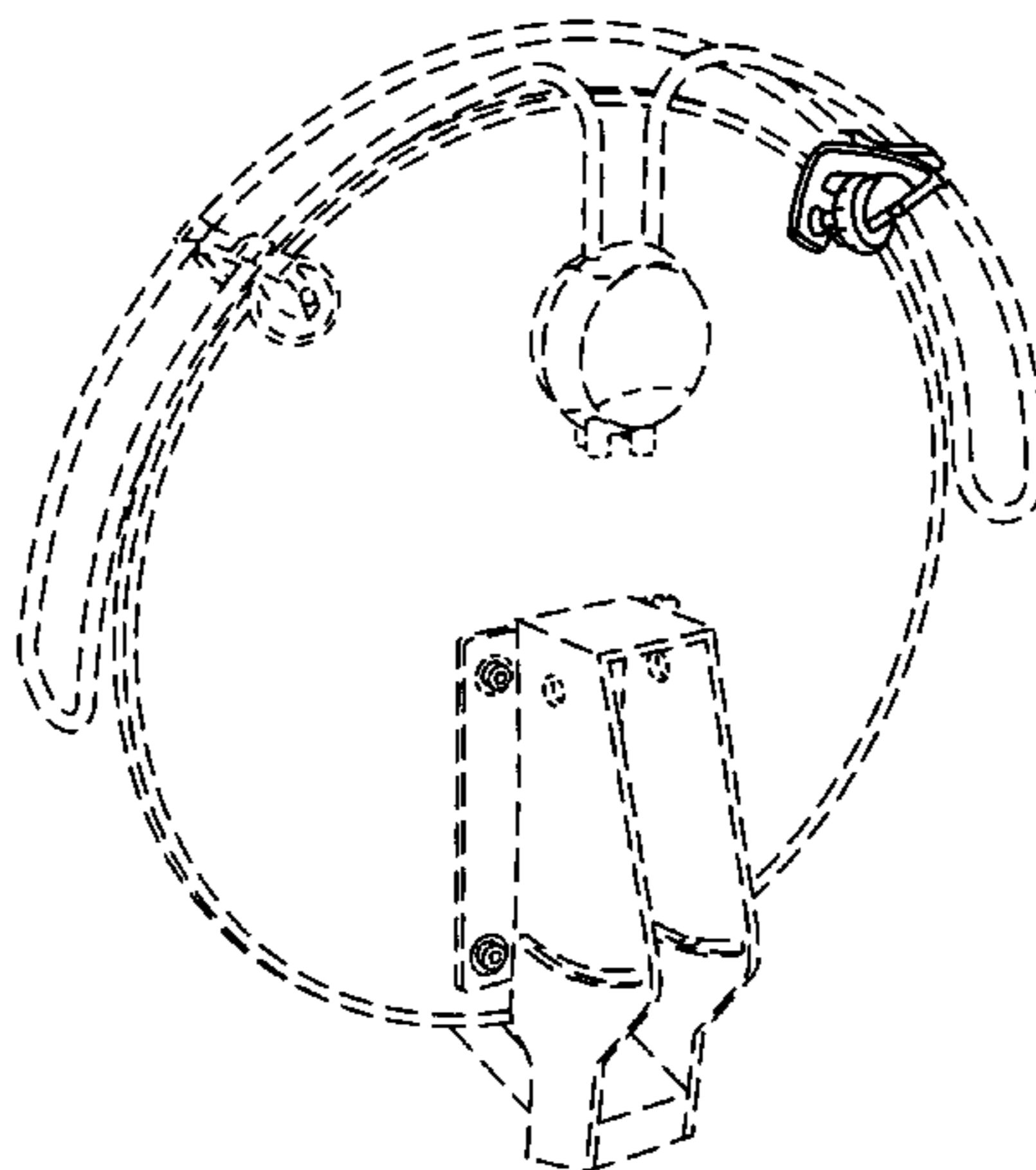


FIG. 1

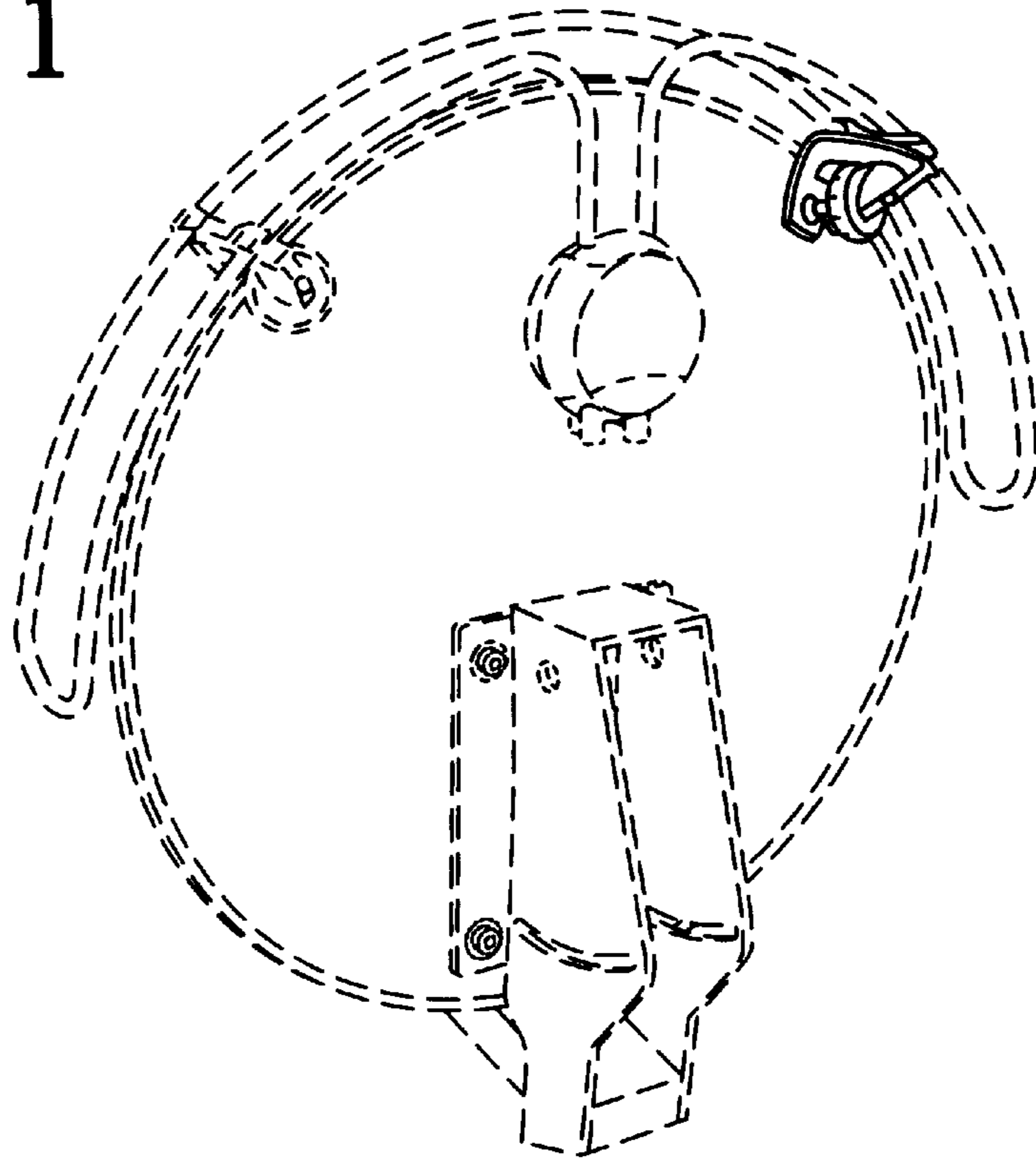


FIG. 2

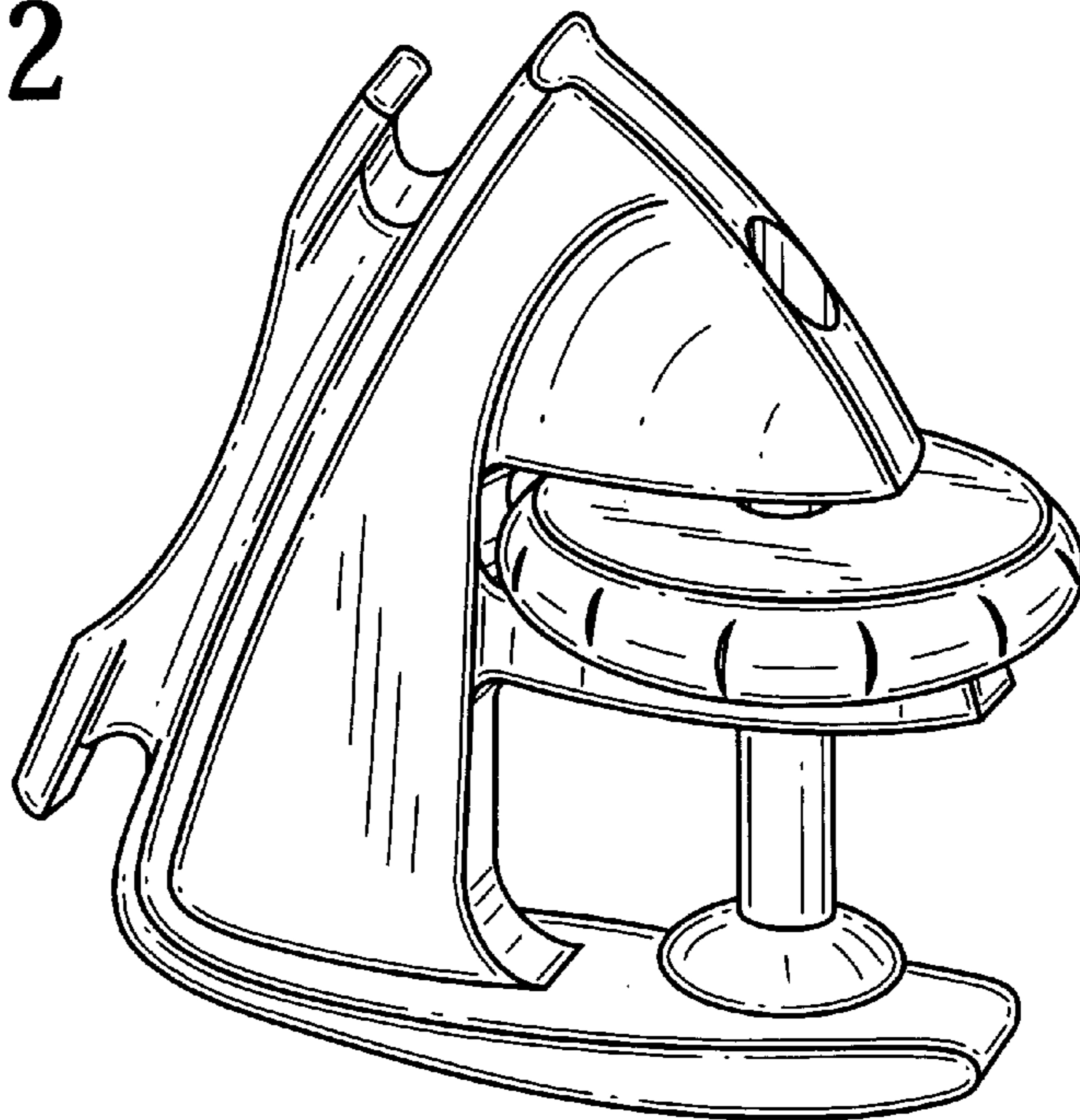


FIG. 3

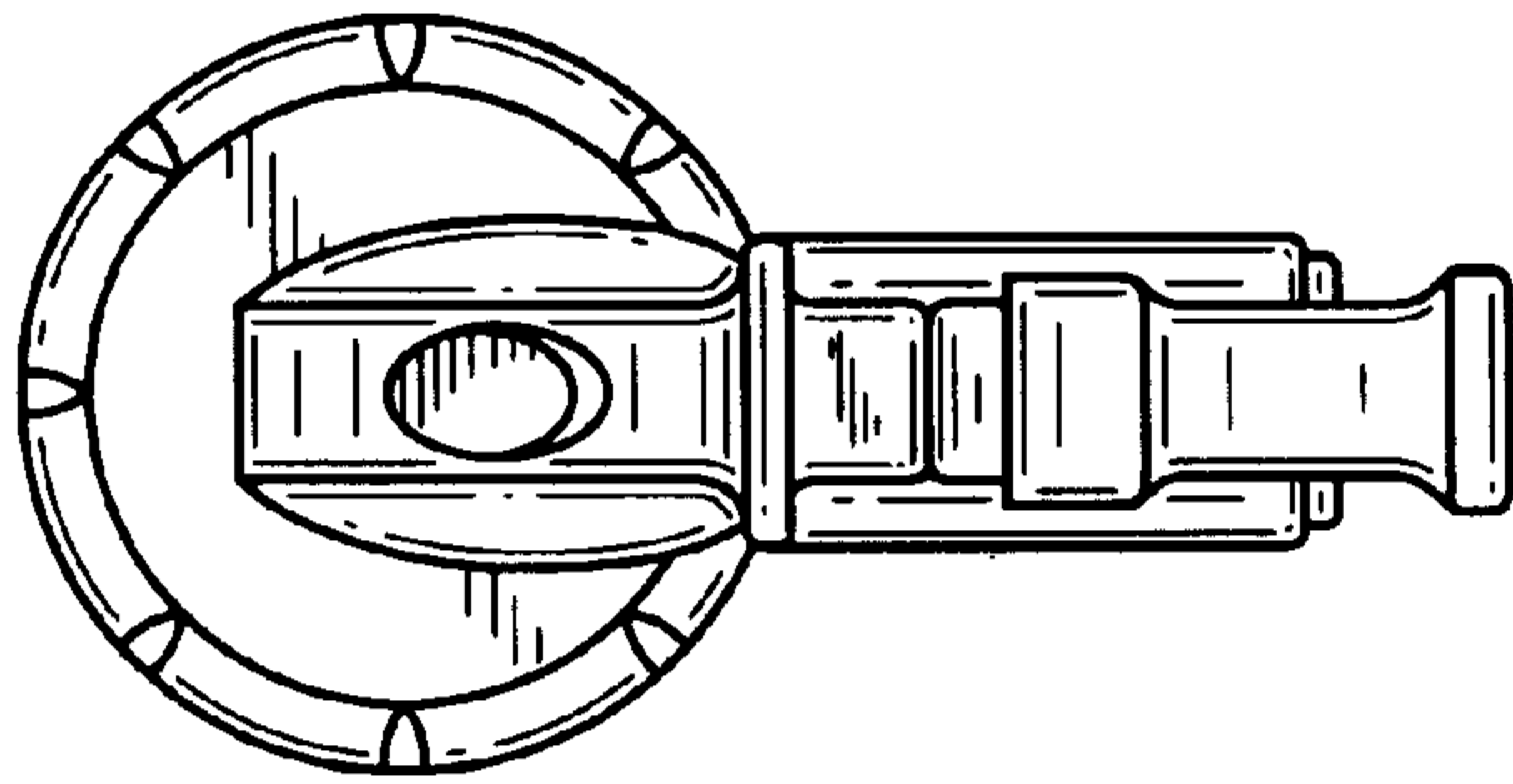


FIG. 4

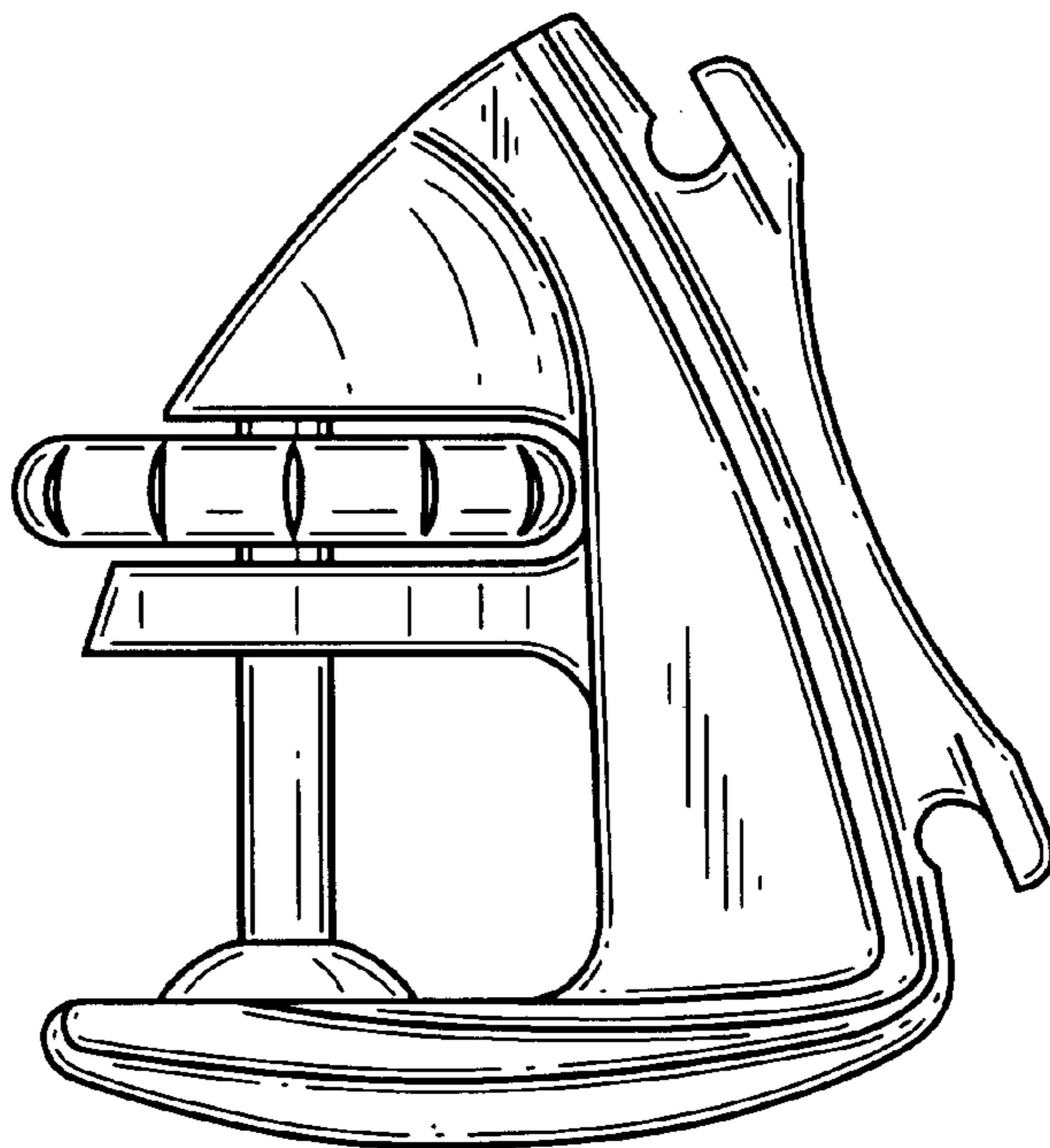


FIG. 5

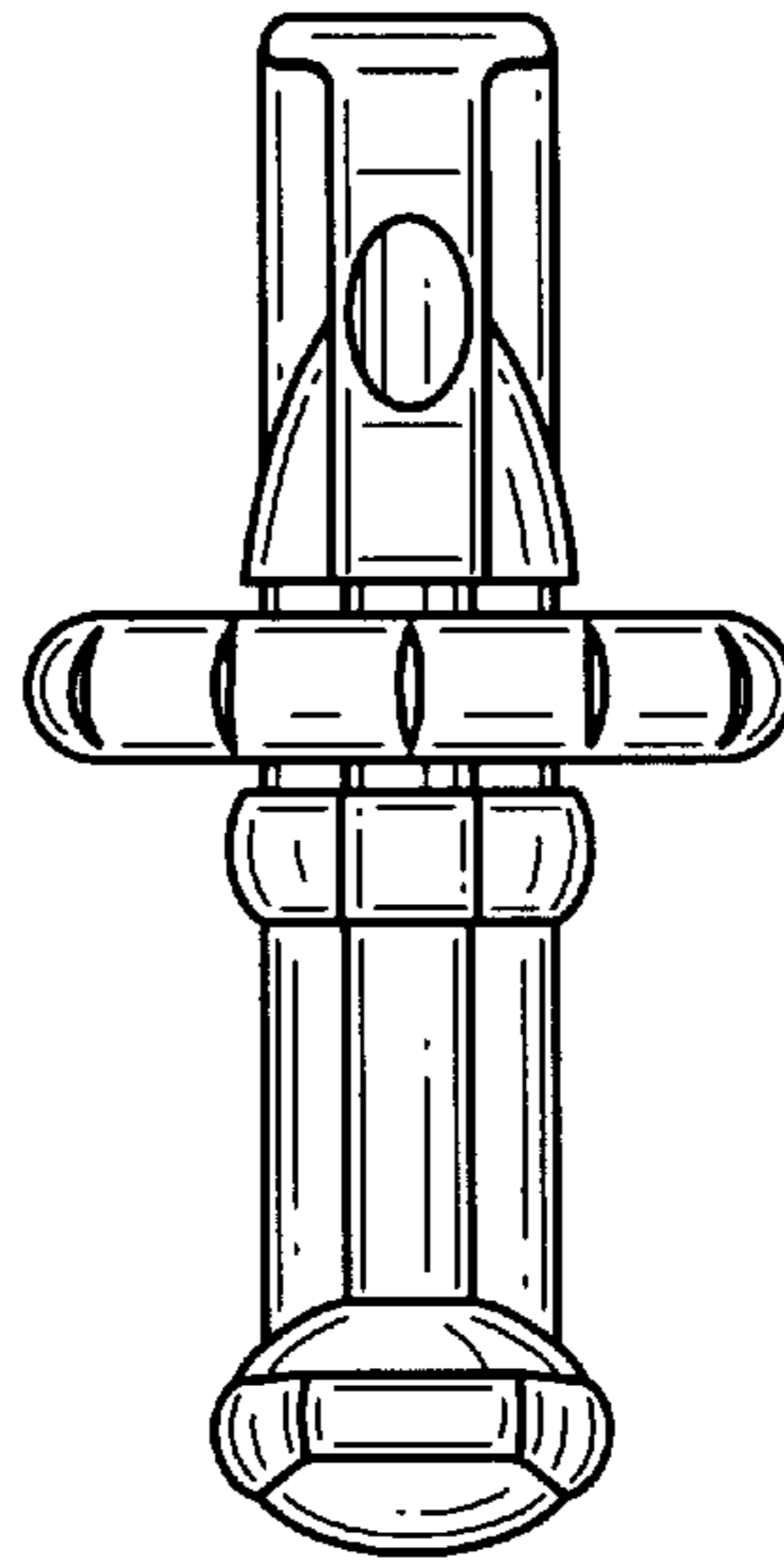


FIG. 6

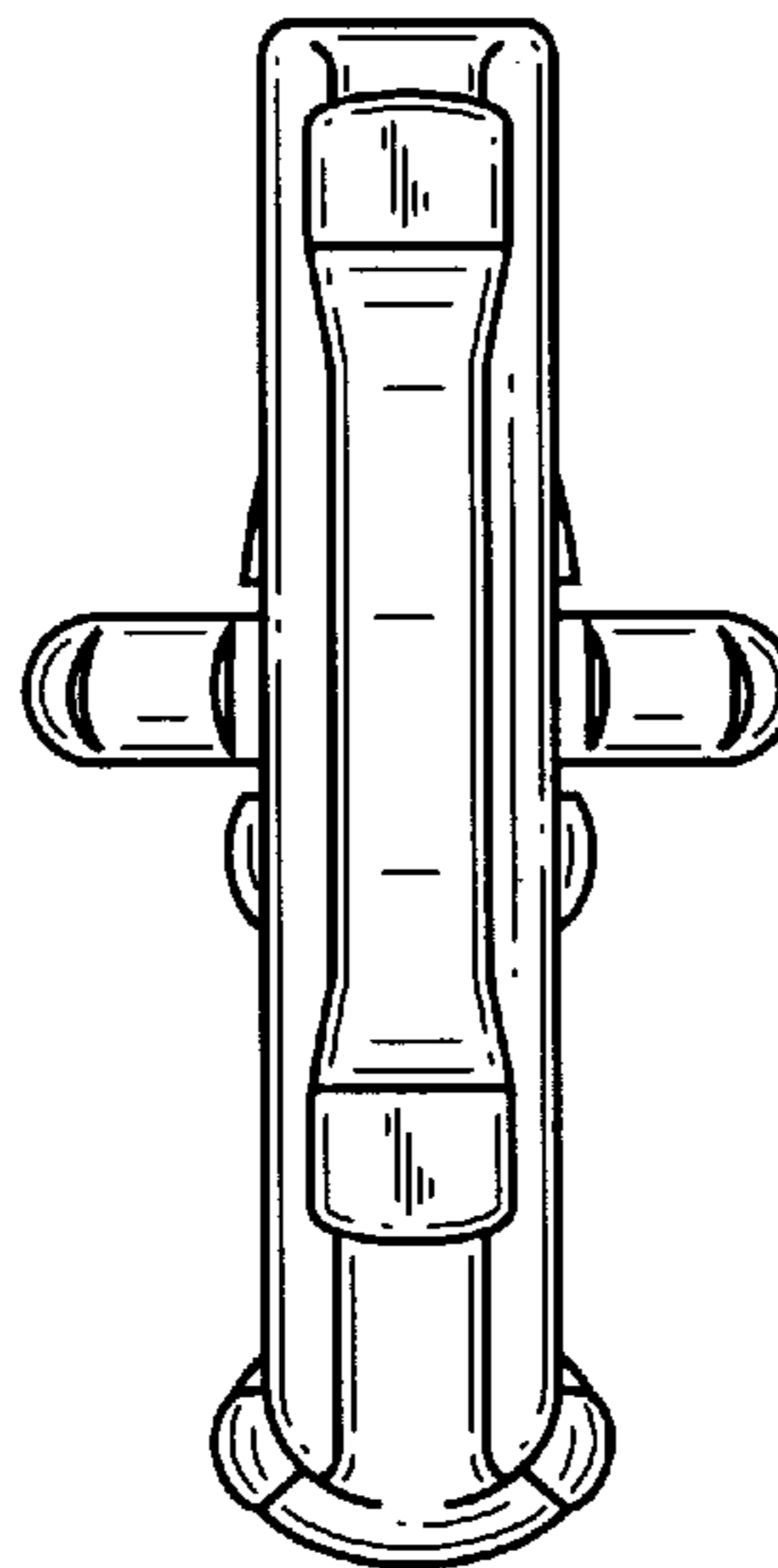


FIG. 7

